

US00D839040S

(12) **United States Design Patent**  
**Seymour**

(10) **Patent No.:** **US D839,040 S**  
(45) **Date of Patent:** **\*\* Jan. 29, 2019**

- (54) **AIR FRYER**
- (71) Applicant: **National Presto Industries, Inc.**, Eau Claire, WI (US)
- (72) Inventor: **Justun C. Seymour**, Eau Claire, WI (US)
- (73) Assignee: **National Presto Industries, Inc.**, Eau Claire, WI (US)

D422,447 S *	4/2000	Josancy .....	D7/354
D452,795 S *	1/2002	Johnson .....	D7/354
D489,935 S *	5/2004	Choi .....	D7/354
D532,248 S *	11/2006	Allende Fritsch .....	D7/354
D610,866 S *	3/2010	Fiorotto .....	D7/354
D611,757 S *	3/2010	Reiner .....	D7/354
D674,651 S *	1/2013	Berge .....	D7/354
D680,801 S *	4/2013	Seymour .....	D7/354
D680,802 S *	4/2013	Seymour .....	D7/354
D814,232 S *	4/2018	Barquin .....	D7/354
D816,390 S *	5/2018	Zhang .....	D7/354

(\*\*) Term: **15 Years**

(21) Appl. No.: **29/627,588**

(22) Filed: **Nov. 28, 2017**

(51) **LOC (11) Cl.** ..... **07-02**

(52) **U.S. Cl.**  
USPC ..... **D7/354**

(58) **Field of Classification Search**  
USPC ..... D7/323, 354-361  
CPC ..... A23L 1/01; A23L 1/0107; A23L 1/0114;  
A47J 27/00; A47J 27/08; A47J 27/09;  
A47J 27/092; A47J 36/025; A47J 36/06;  
A47J 36/08; A47J 36/10; A47J 36/12;  
A47J 36/165; A47J 36/18; A47J 36/20;  
A47J 36/22; A47J 37/00; A47J 37/12;  
A47J 37/1204; A47J 37/1209; A47J  
37/1214; A47J 37/1219; A47J 37/1266;  
A47J 37/1285; A47J 37/129; A47J  
37/1295; G07F 17/0064; G07F 17/0078;  
G07F 17/0085; H05B 6/02; H05B 6/06;  
H05B 6/12

See application file for complete search history.

(56) **References Cited**

**U.S. PATENT DOCUMENTS**

D374,588 S *	10/1996	Federico .....	D7/354
D414,072 S *	9/1999	Powell .....	D7/354

**OTHER PUBLICATIONS**

Mayer MMAF2 (Black) Air Fryer (0.8KG), Nov. 30, 2017, 1 page.  
(Continued)

*Primary Examiner* — Ricky Pham  
(74) *Attorney, Agent, or Firm* — Patterson Thuent  
Pedersen, P.A.

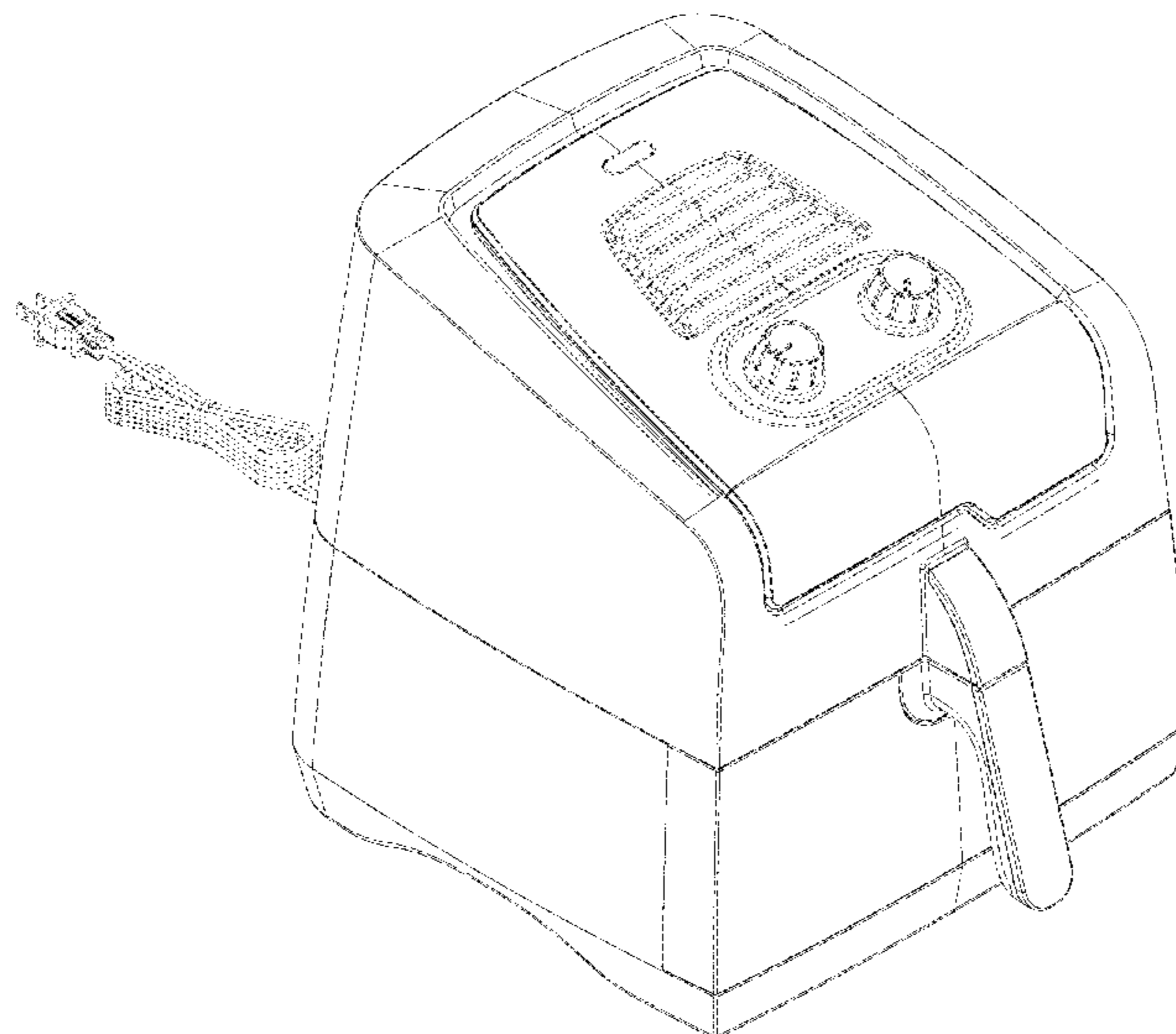
(57) **CLAIM**

I claim the ornamental design for air fryer, as shown and described.

**DESCRIPTION**

FIG. 1 is a front view of an air fryer according to an embodiment of the present invention.  
FIG. 2 is a rear view of the air fryer depicted in FIG. 1.  
FIG. 3 is a right side view of the air fryer depicted in FIG. 1.  
FIG. 4 is a left side view of the air fryer depicted in FIG. 1.  
FIG. 5 is a top view of the air fryer depicted in FIG. 1.  
FIG. 6 is a bottom view of the air fryer depicted in FIG. 1; and,  
FIG. 7 is a top, left, perspective view of the air fryer depicted in FIG. 1.  
The broken lines in the drawings form no part of the claimed design.

**1 Claim, 7 Drawing Sheets**



(56)

**References Cited**

OTHER PUBLICATIONS

Kogan 2000W 3.5L Low Fat Air Fryer KA3LFRYARXA User Manual, 1 page.

American Micronic—3.2 Litre Air Fryer, 1500W, with Non-Stick Frying Basket, Mar. 7, 2018, 7 pages.

Anex Pakistan, Leading kitchen and home appliances company in Pakistan, <http://www.anex.pk/products/ag-2018>, Mar. 7, 2018, 5 pages.

Avalon Bay Air Fryer, for Healthy Fried Food, 3.7 quart capacity, AB-Airfryer 100B, Mar. 7, 2018, 8 pages.

Chefman—Express 2.5L Air Fryer—Black, Mar. 7, 2018, 3 pages.

Glip Oil-less Air Fryer, Mar. 7, 2018, 1 page.

Gourmia GAF400 Electric Multipurpose Classic Rapid Air Fryer, Mar. 7, 2018, 4 pages.

Kalorik Hot Air Fryer, Mar. 7, 2018, 17 pages.

Philips Airfryer, The Original Airfryer with Bonus 150+ Recipe Cookbook, Mar. 7, 2018, 10 pages.

Swisscare Air Fryer 399/SR, Mar. 7, 2018, 2 pages.

Trio Air Fryer TAF 858, Mar. 7, 2018, 4 pages.

\* cited by examiner

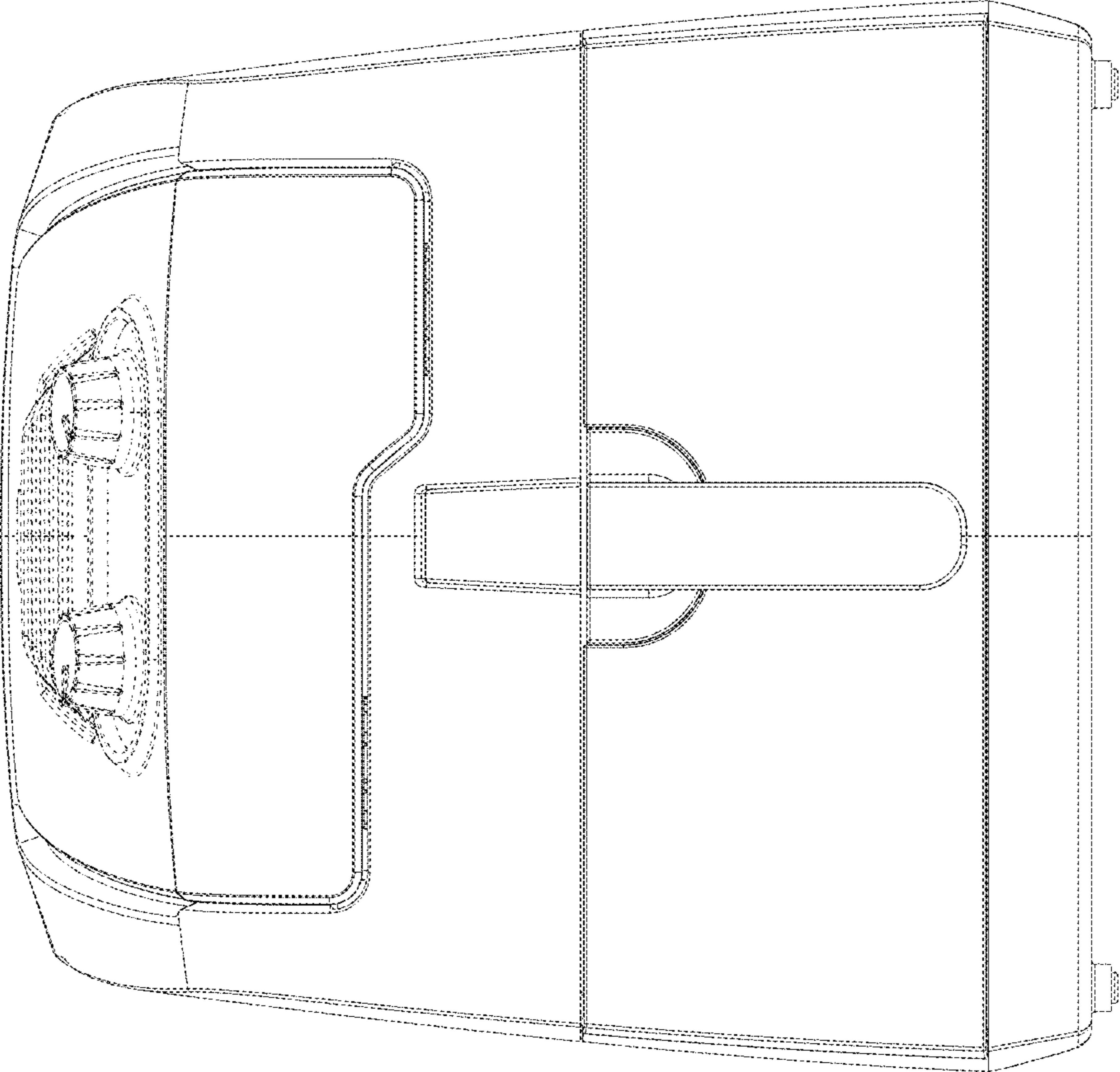
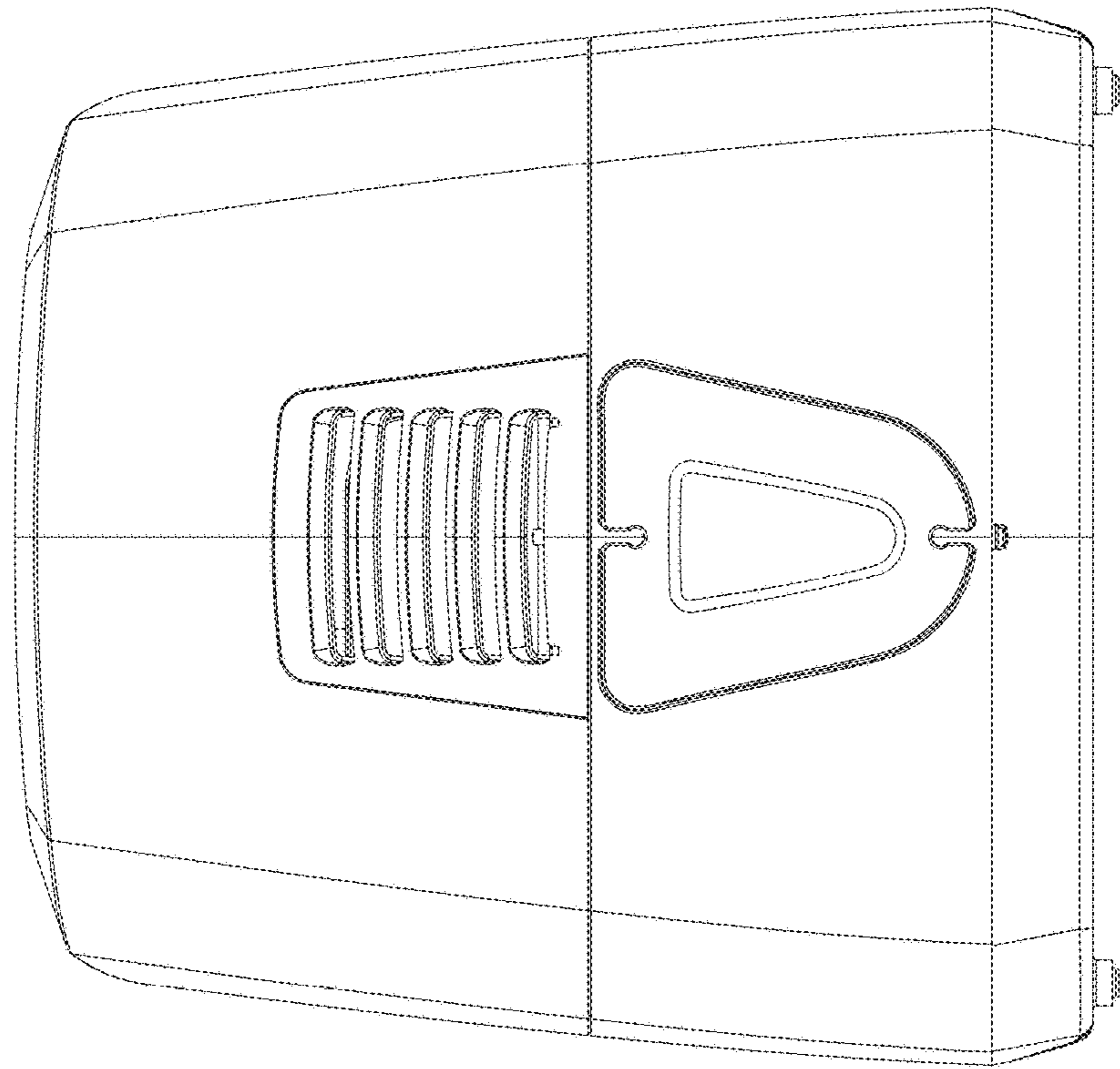


FIG. 1

FIG. 2



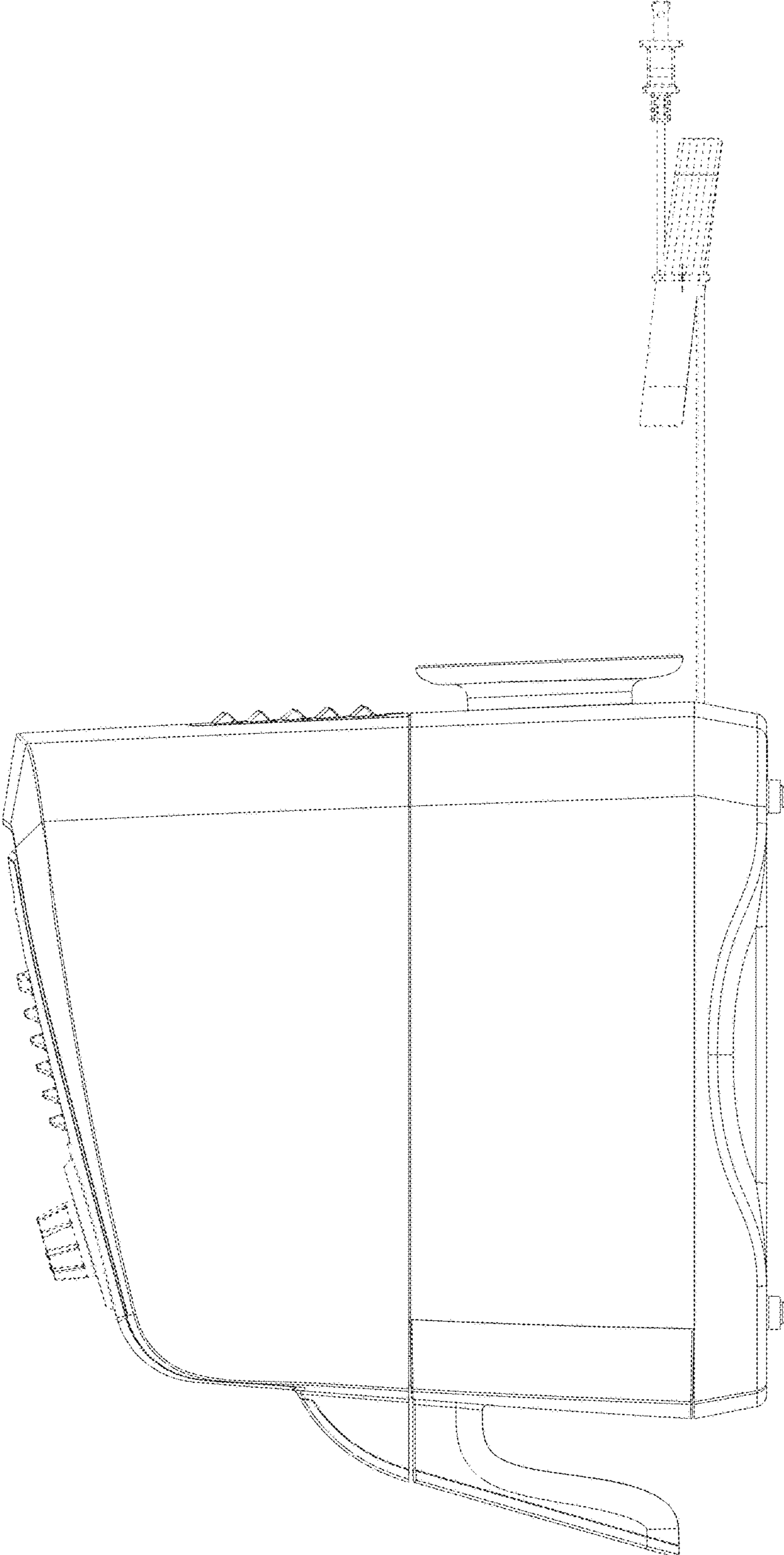
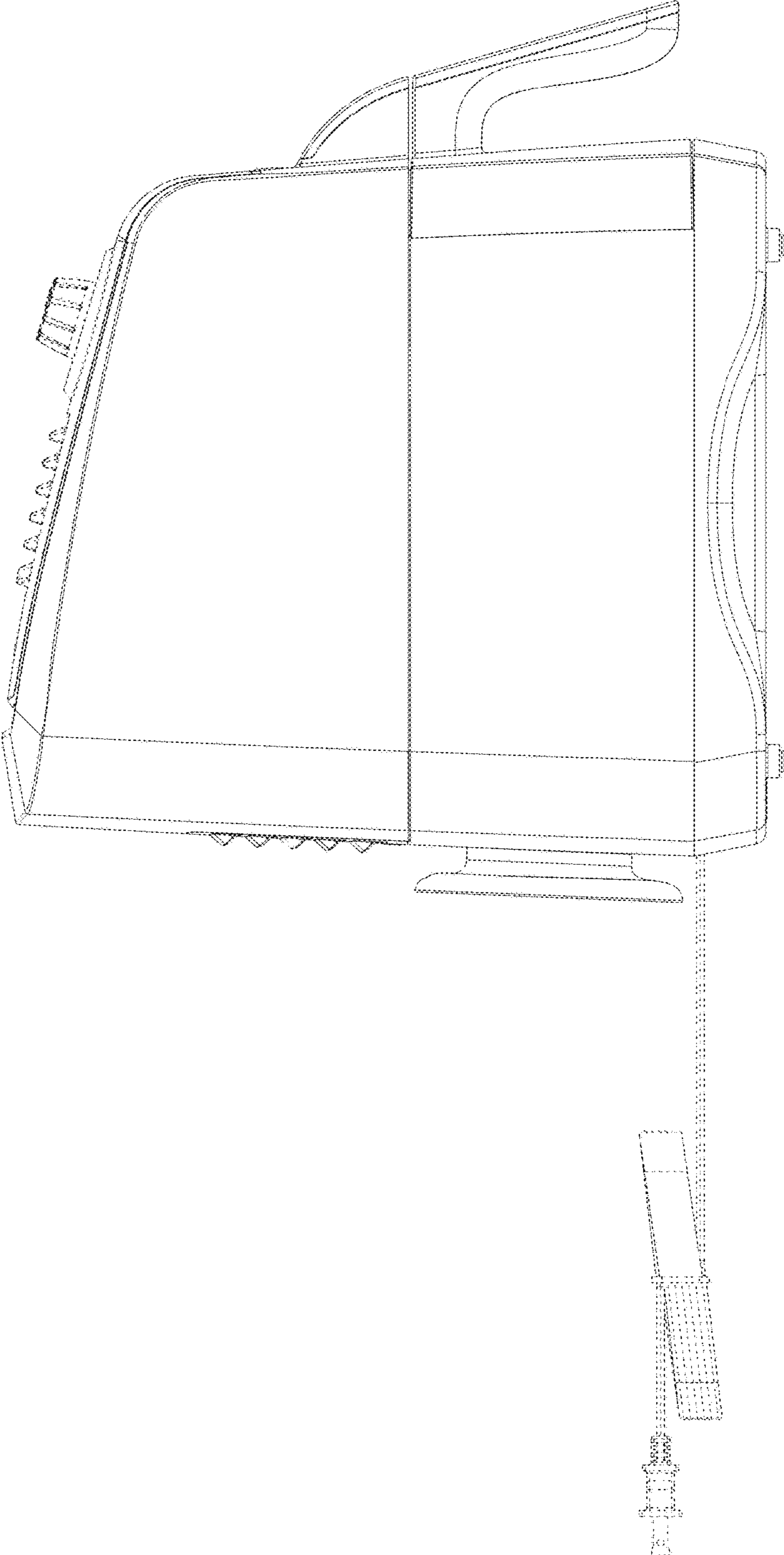


FIG. 3

FIG. 4



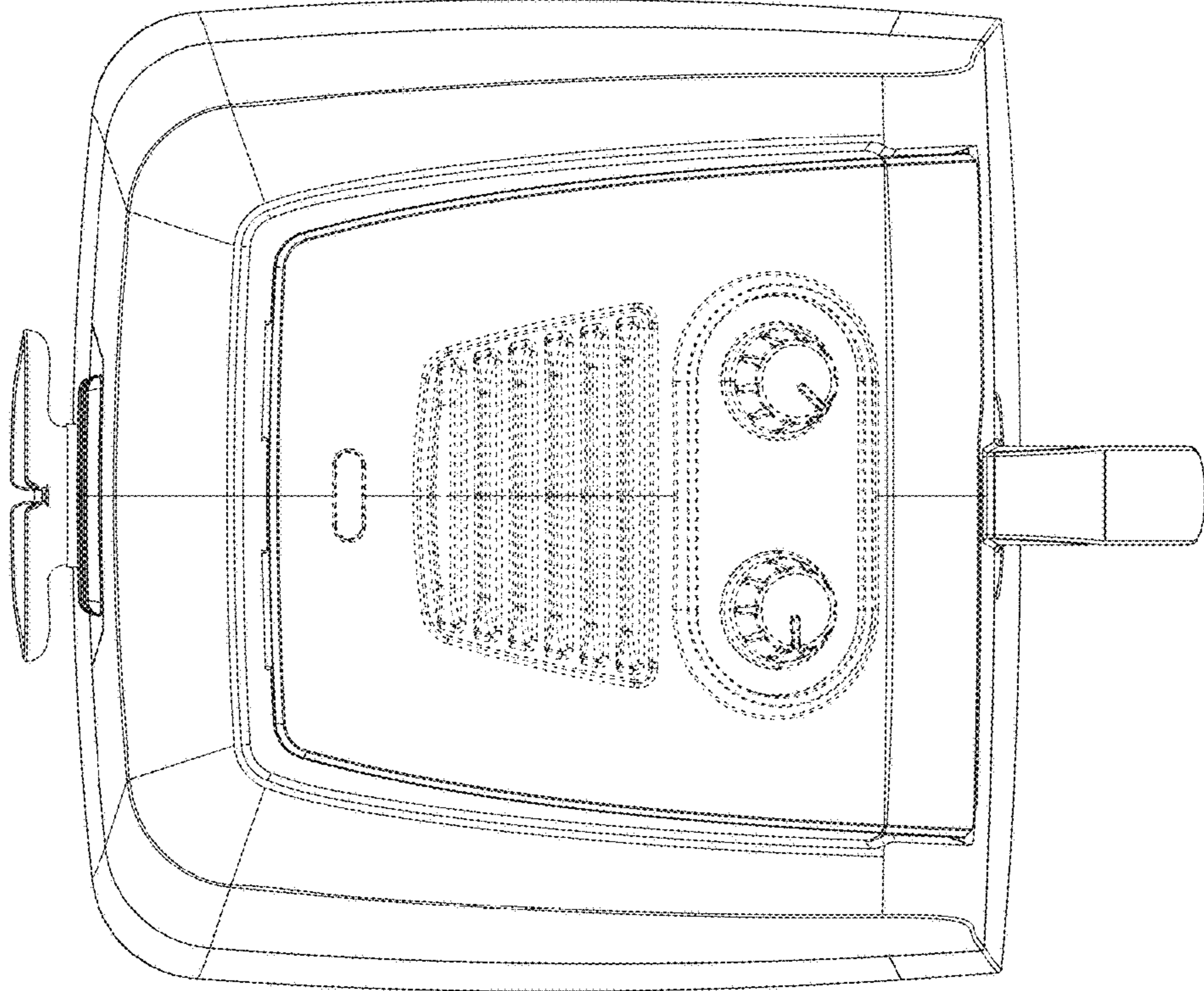


FIG. 5

FIG. 6

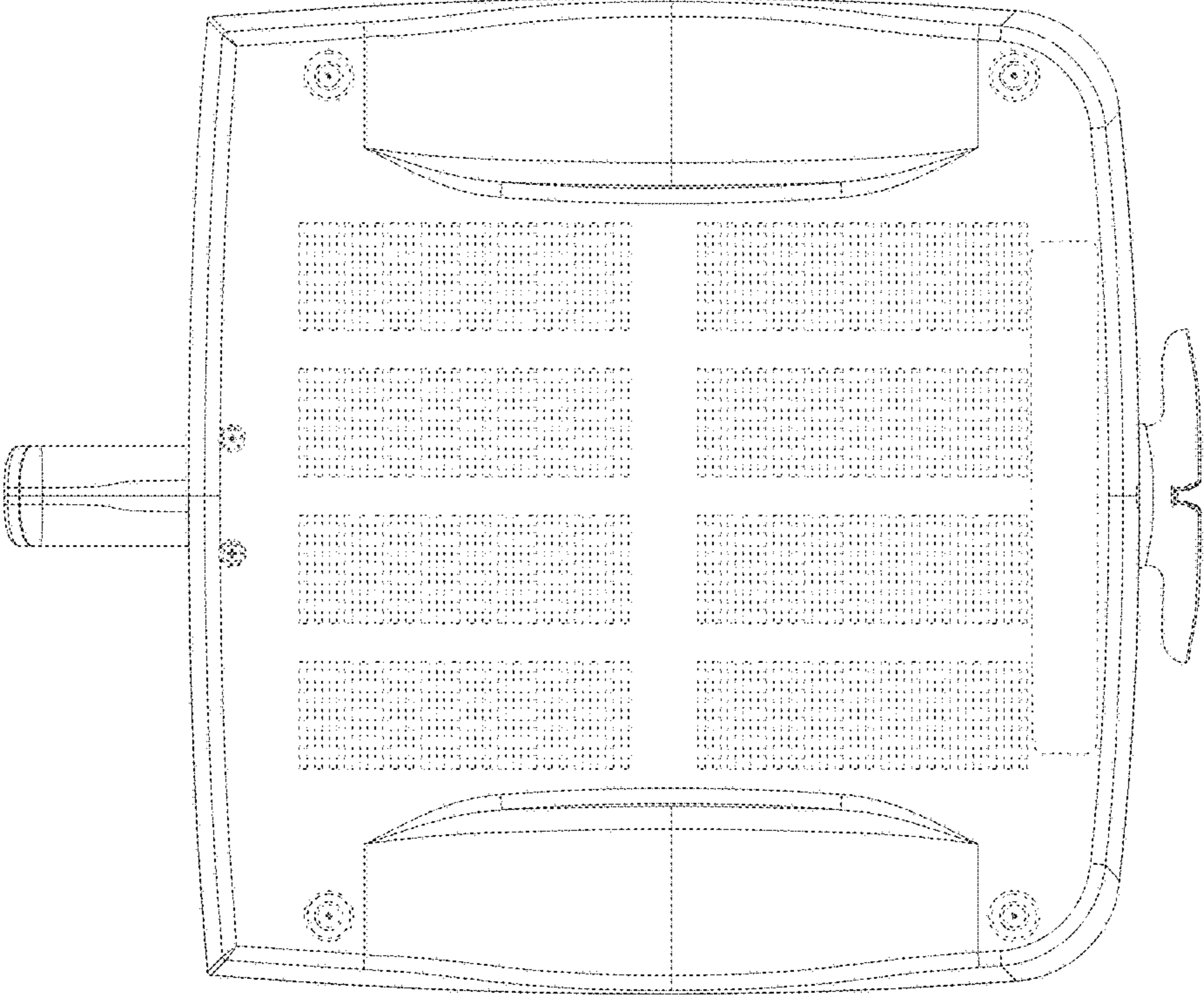




FIG. 7

