



US00D839039S

(12) **United States Design Patent**
Marsh-Croft

(10) **Patent No.:** **US D839,039 S**

(45) **Date of Patent:** **** Jan. 29, 2019**

(54) **COMPACT OVEN**

(71) Applicant: **Breville Pty Limited**, Alexandria, NSW (AU)

(72) Inventor: **Ashley Marsh-Croft**, Woollahra (AU)

(73) Assignee: **Breville Pty Limited**, Alexandria (AU)

(**) Term: **15 Years**

(21) Appl. No.: **29/584,880**

(22) Filed: **Nov. 18, 2016**

(30) **Foreign Application Priority Data**

May 18, 2016 (AU) 201612665

(51) **LOC (11) Cl.** **07-02**

(52) **U.S. Cl.**
USPC **D7/350.1**

(58) **Field of Classification Search**
USPC D7/350.1, 350.3-350.4, 351, 402, 405,
D7/406, 332, 334

CPC A47J 37/00; A47J 37/0763; A47J 36/36;
A21B 1/52; A21B 1/00; H05B 6/6426;
H05B 6/6414; F24C 15/08

See application file for complete search history.

(56) **References Cited**

U.S. PATENT DOCUMENTS

D481,582 S * 11/2003 Seum D7/350.1
D587,959 S * 3/2009 Hensel D7/350.1

D638,249 S * 5/2011 Ryan D7/350.1
D663,156 S * 7/2012 Curtis D7/350.1
D670,529 S * 11/2012 Hensel D7/350.1
D704,983 S * 5/2014 Yoon D7/351
D736,554 S * 8/2015 Steiner D7/350.1
D773,234 S * 12/2016 Suh D7/351

* cited by examiner

Primary Examiner — Ruth McInroy

(74) *Attorney, Agent, or Firm* — Moser Taboada

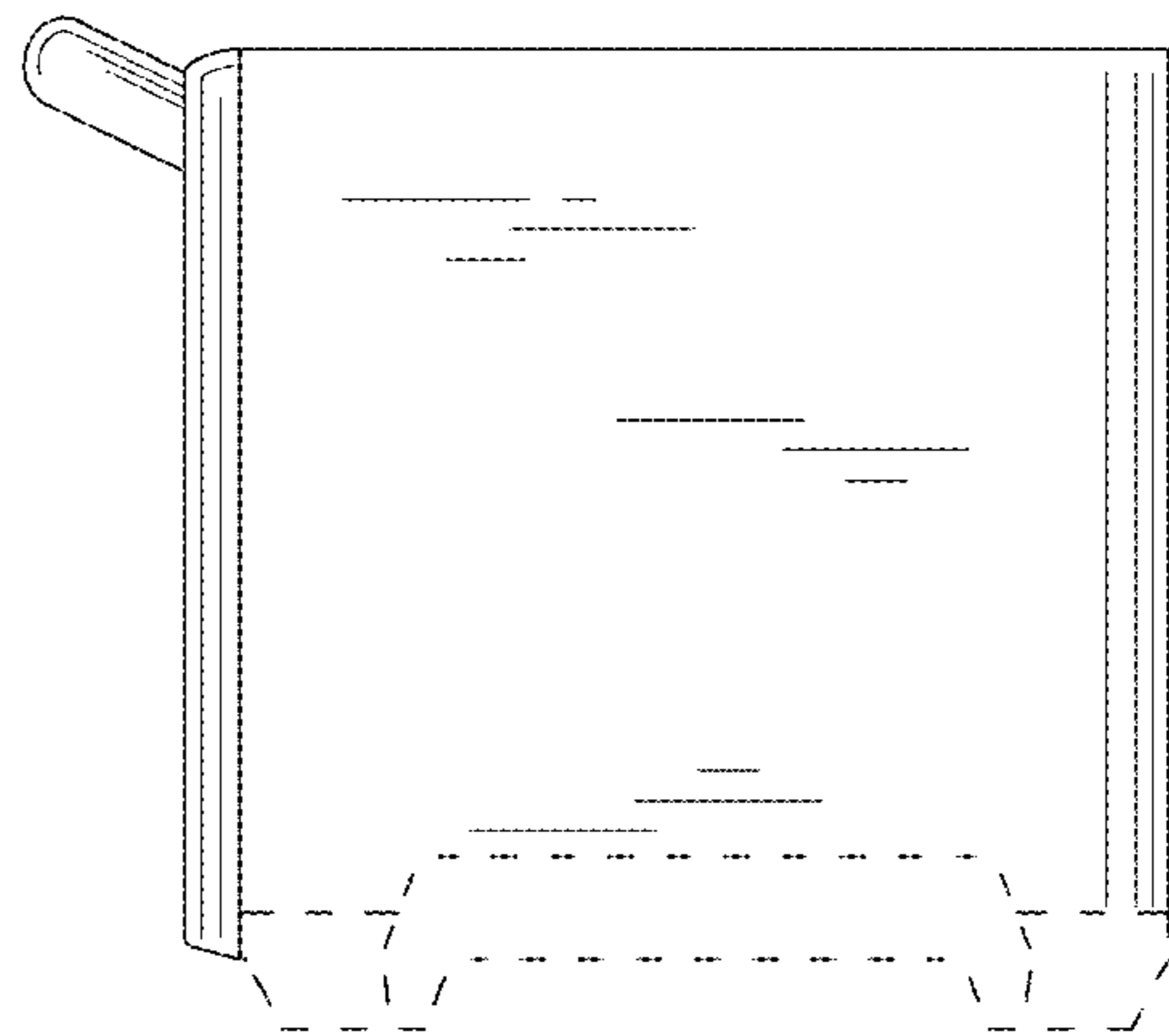
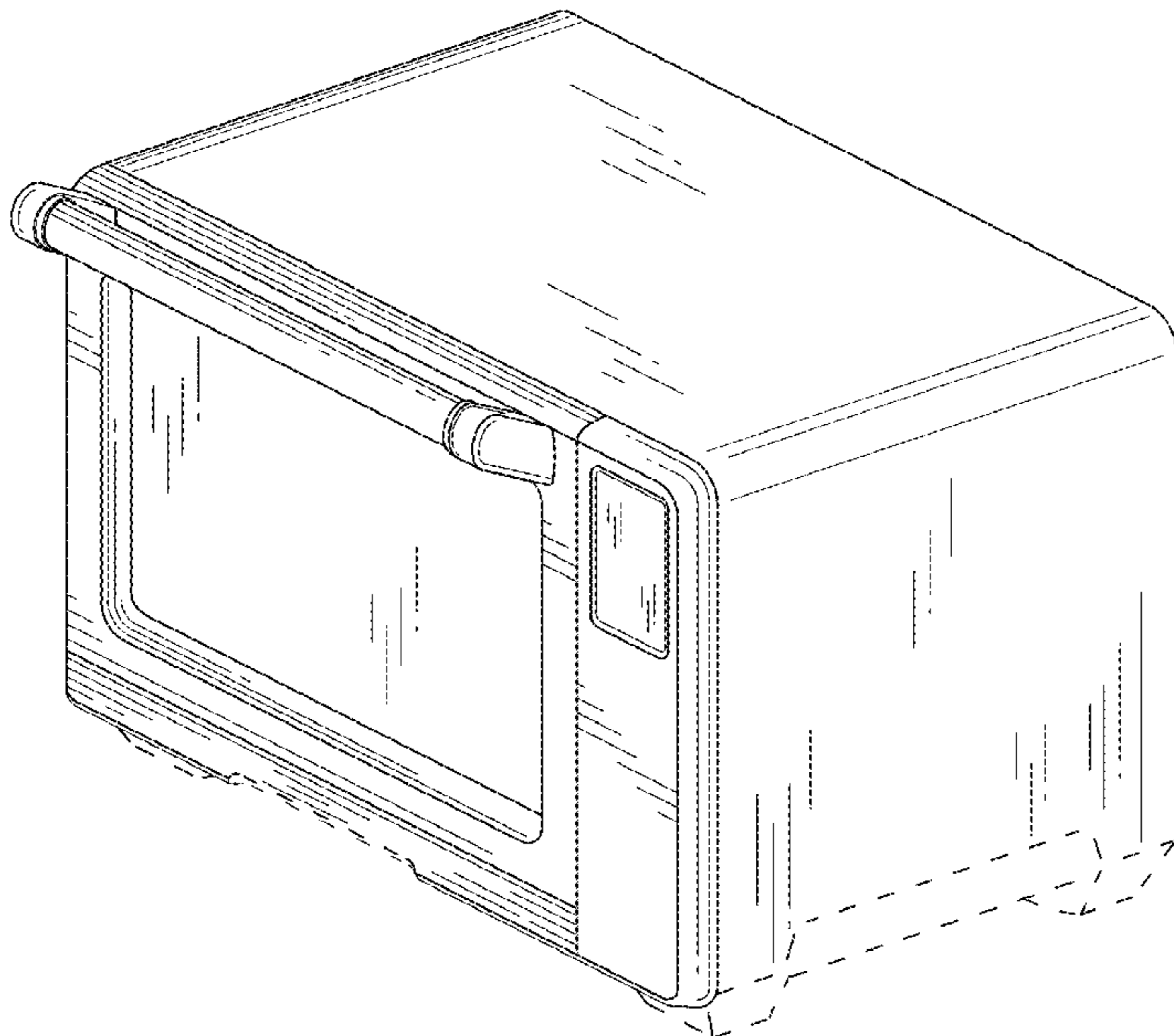
(57) **CLAIM**

The ornamental design for a compact oven, as shown and described.

DESCRIPTION

FIG. 1 is a front perspective view of a compact oven showing my new design;
FIG. 2 is a front view thereof;
FIG. 3 is a rear view thereof;
FIG. 4 is a left side view thereof;
FIG. 5 is a right side view thereof;
FIG. 6 is a top view thereof; and,
FIG. 7 is a bottom view thereof.
Portions shown in broken lines form no part of the claimed design.

1 Claim, 7 Drawing Sheets



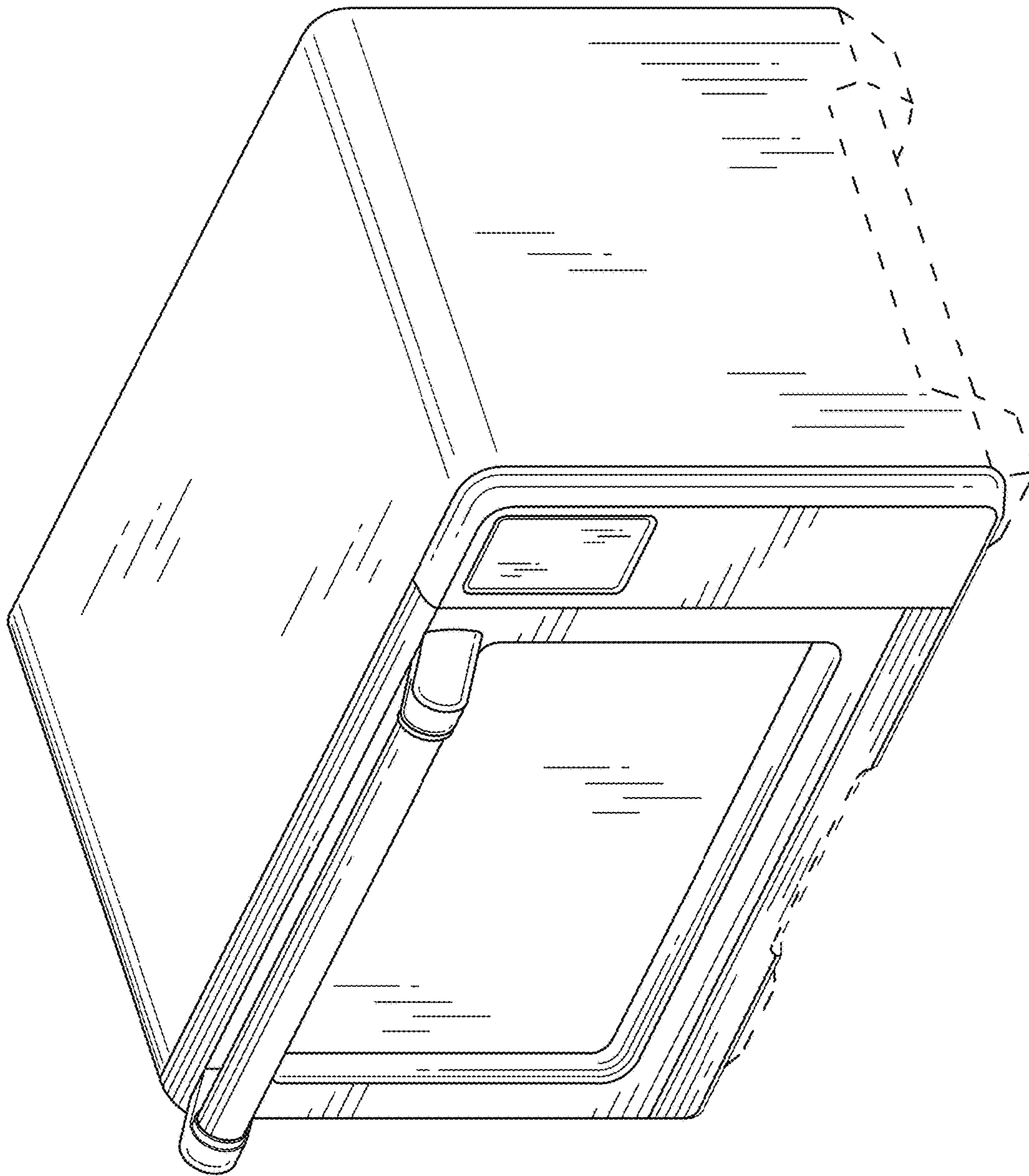


FIG. 1

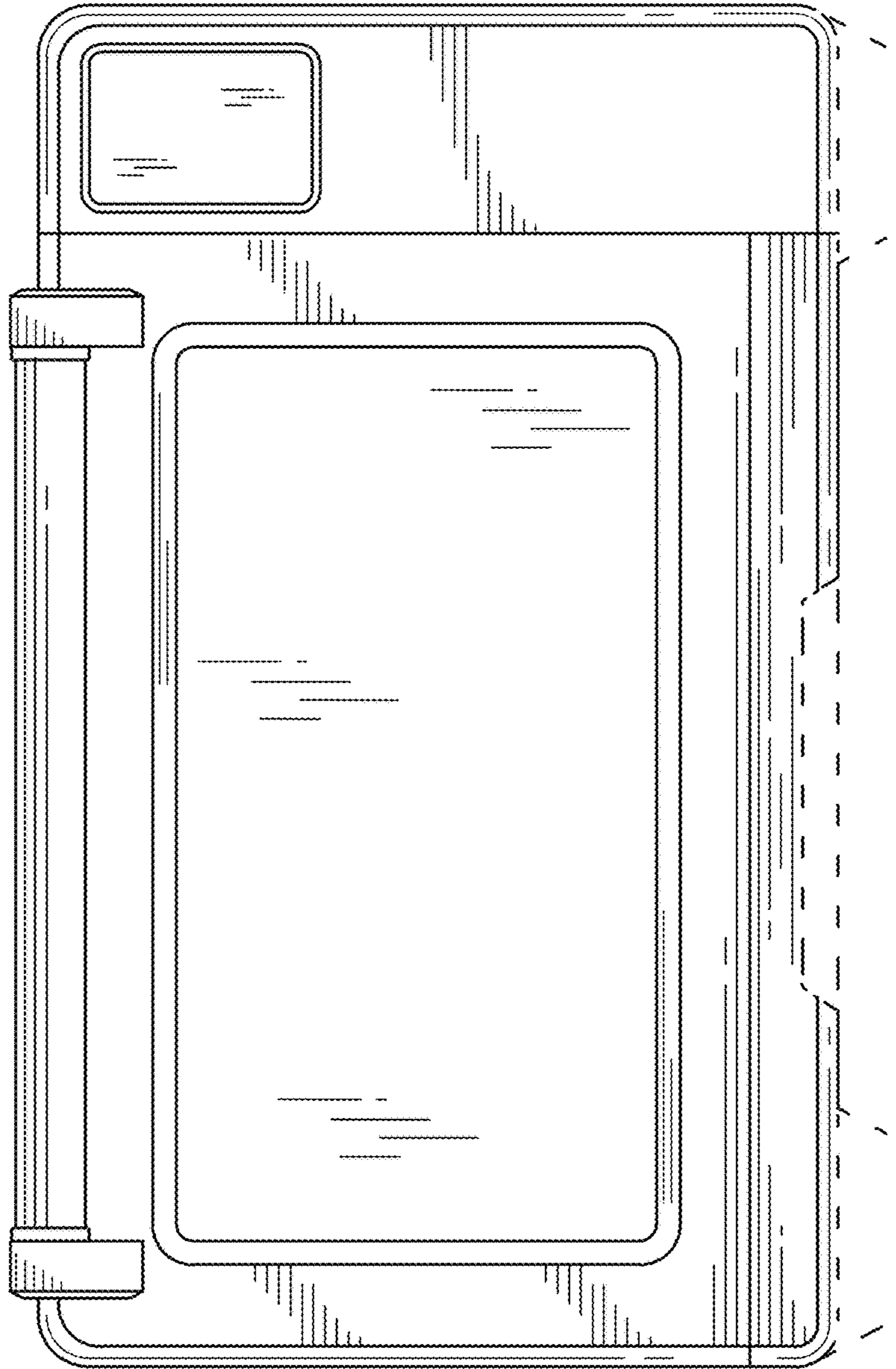


FIG. 2

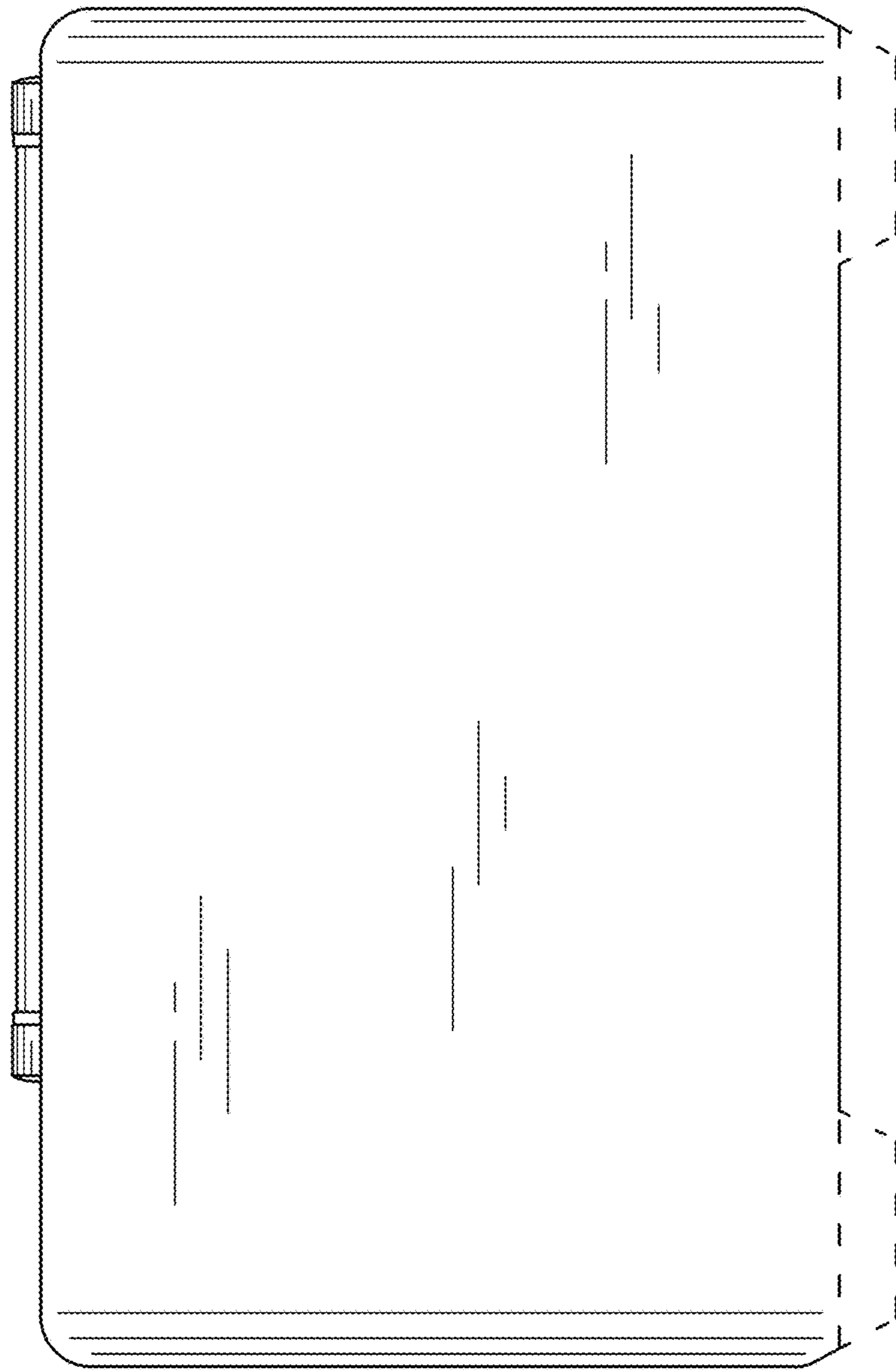


FIG. 3

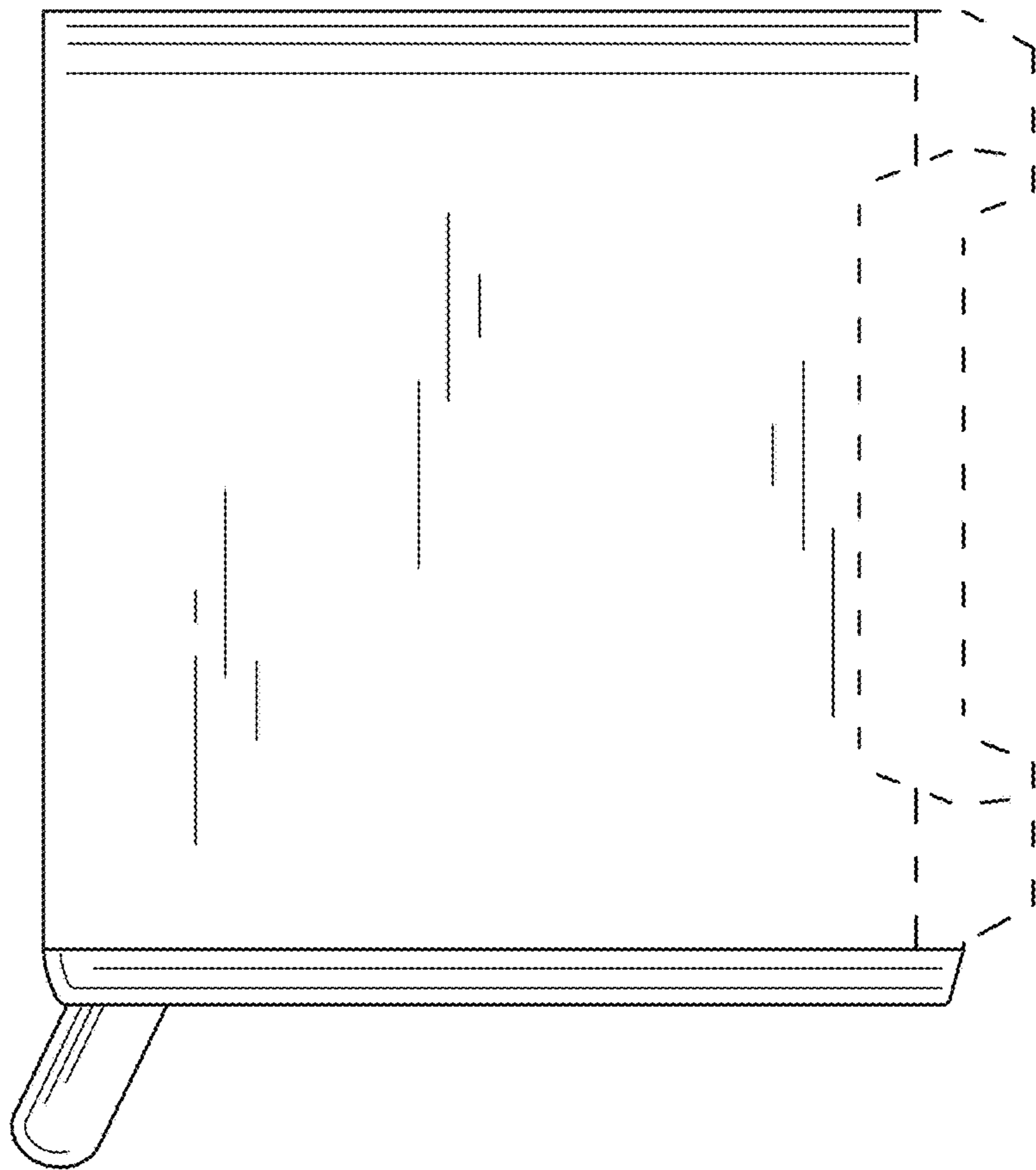


FIG. 4

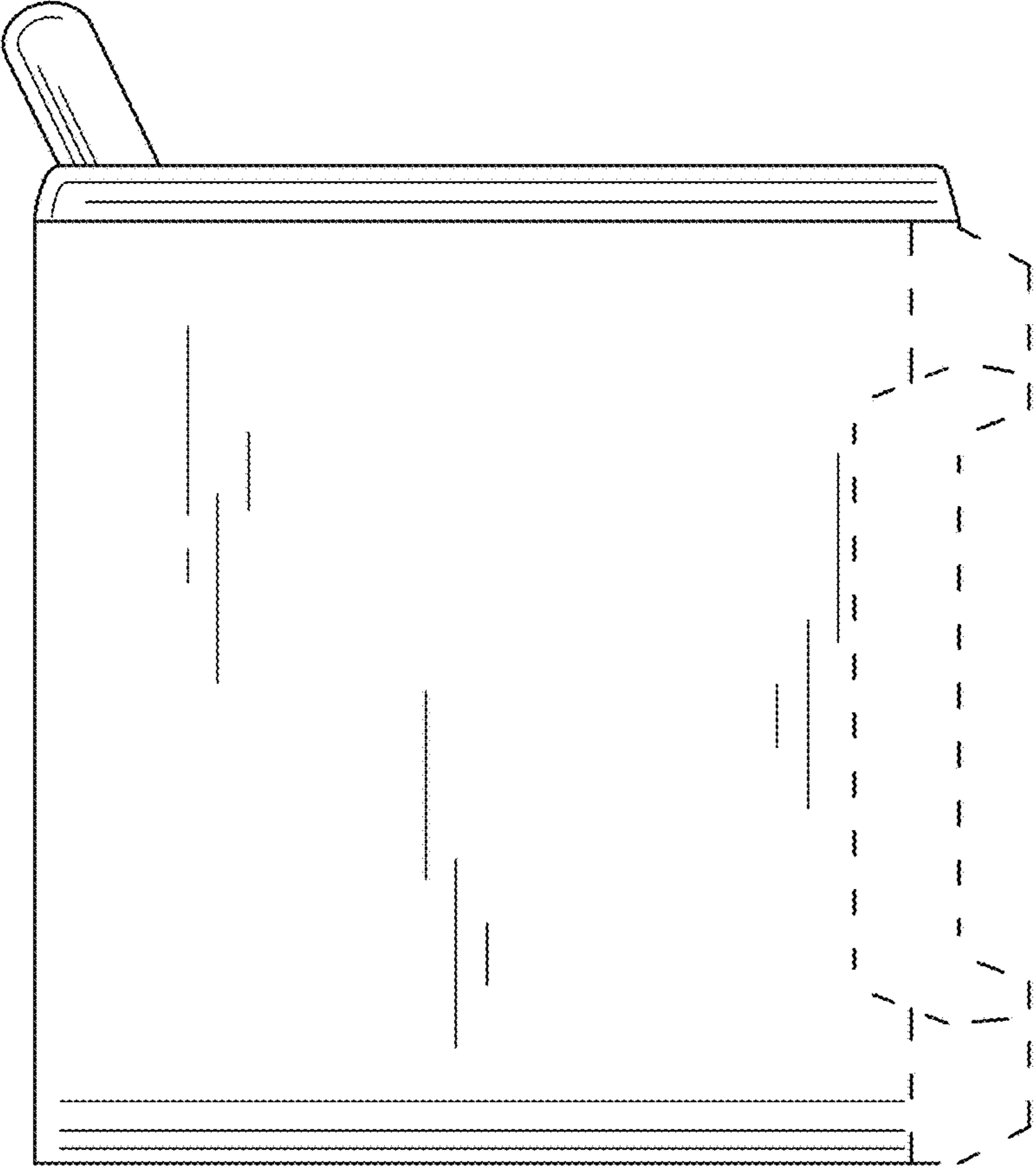


FIG. 5

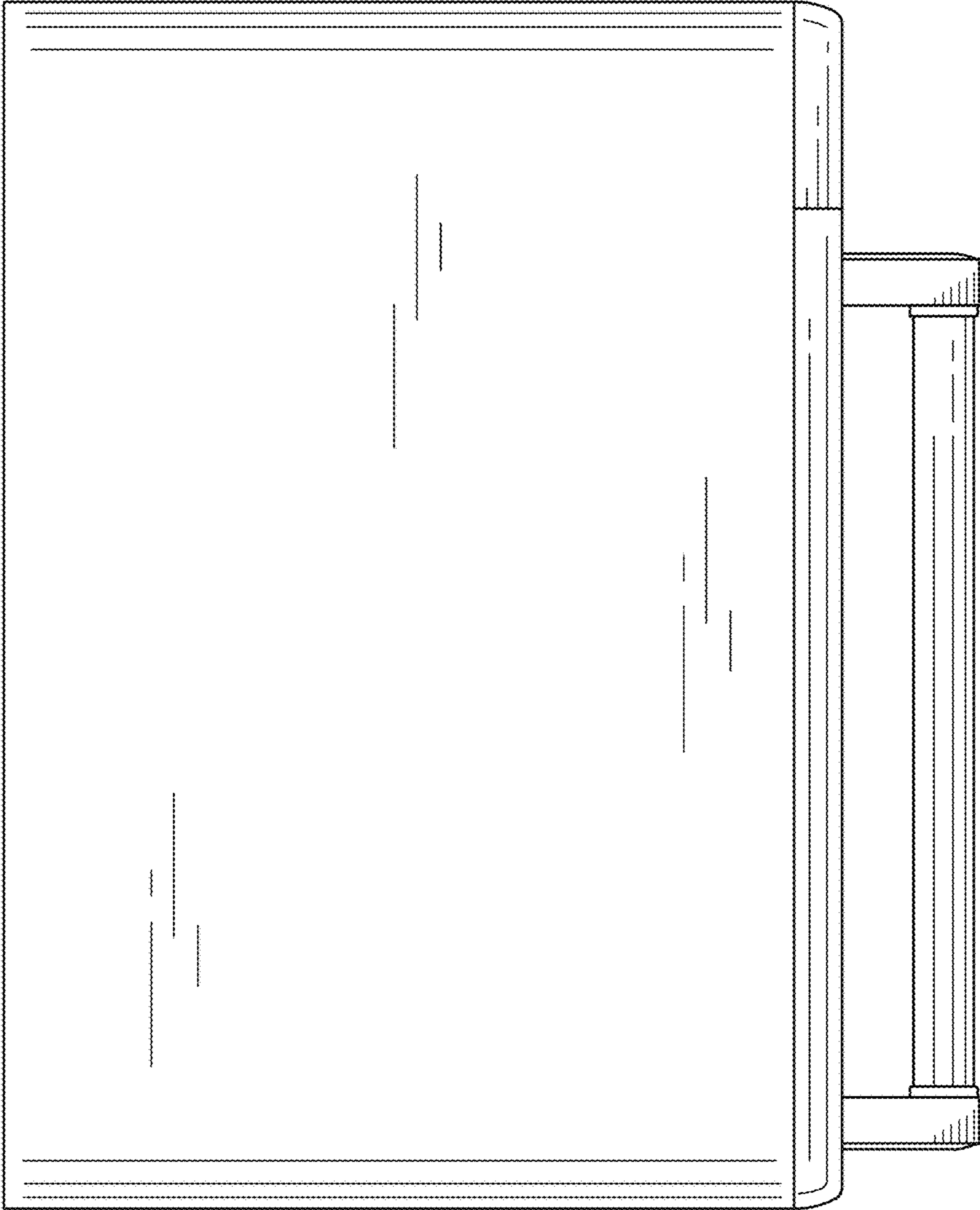


FIG. 6

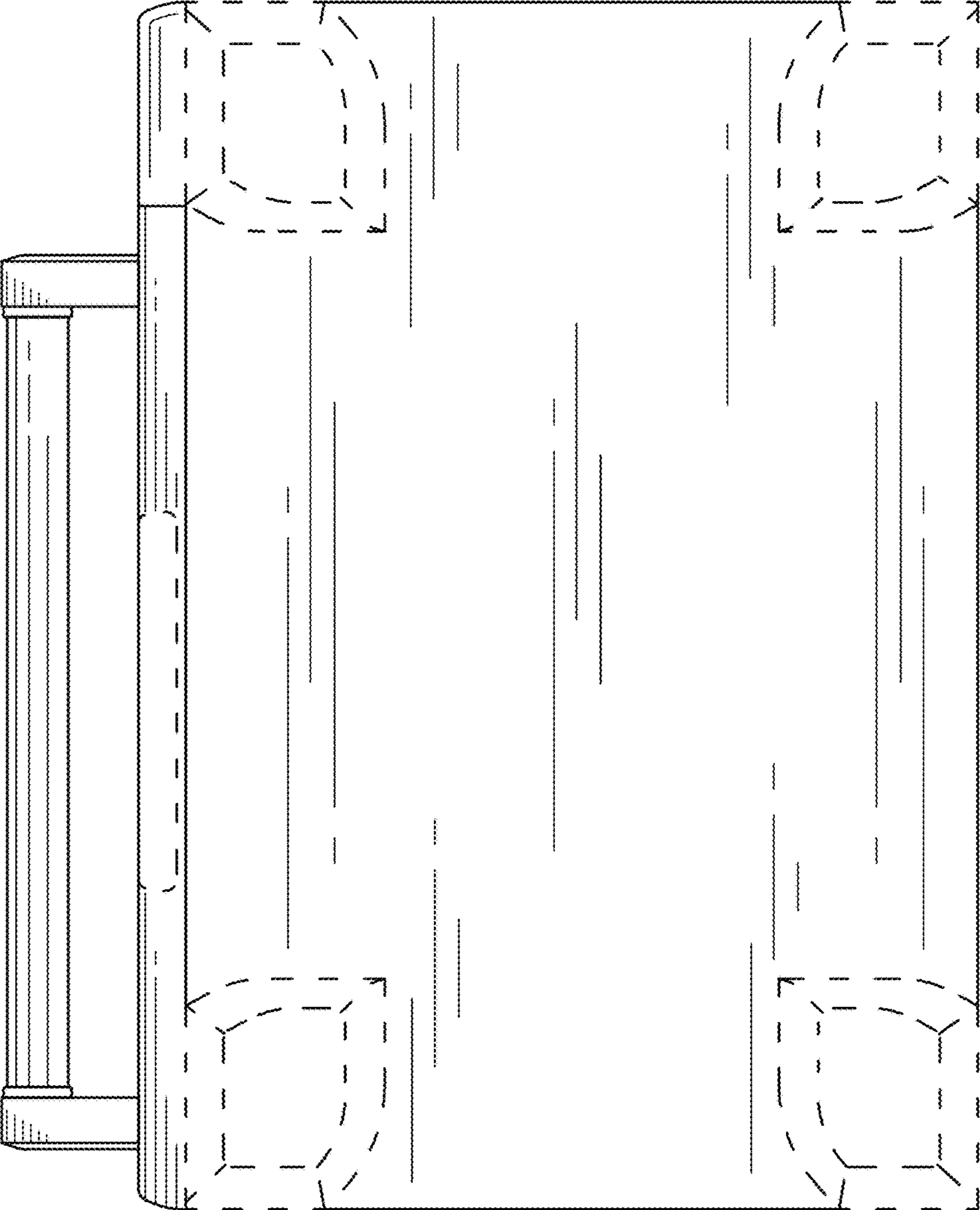


FIG. 7