



US00D839038S

(12) **United States Design Patent**  
**Bell**

(10) **Patent No.:** **US D839,038 S**

(45) **Date of Patent:** **\*\* Jan. 29, 2019**

- (54) **OVEN**
- (71) Applicant: **Furrion Property Holding Limited**,  
Hong Kong (HK)
- (72) Inventor: **Steven Neill Bell**, Hong Kong (HK)
- (73) Assignee: **Furrion Property Holding Limited**,  
Hong Kong (HK)

- D605,456 S \* 12/2009 Bengtson ..... D7/340
- D610,863 S 3/2010 Kim et al.
- D622,537 S 8/2010 Kim et al.
- D642,418 S 8/2011 Kim et al.
- 8,118,020 B2 2/2012 Rummel et al.
- D655,128 S 3/2012 Kim et al.
- D670,969 S \* 11/2012 Bengtson ..... D7/406
- D682,602 S \* 5/2013 Funnell, II ..... D7/340
- D685,602 S 7/2013 Lee
- D700,469 S 3/2014 Reay et al.
- D702,988 S 4/2014 Boo et al.

(\*\*) Term: **15 Years**

(21) Appl. No.: **29/625,563**

(22) Filed: **Nov. 10, 2017**

(51) **LOC (11) Cl.** ..... **07-02**

(52) **U.S. Cl.**  
USPC ..... **D7/346; D7/339; D7/340; D7/347;**  
**D7/348**

(58) **Field of Classification Search**  
USPC ..... **D7/323, 328-330, 339-349, 390,**  
**D7/402-406; D8/300-306**  
CPC ... **A21B 2/00; A47J 37/00; A47J 37/06; A47J**  
**37/0611; A47J 37/08; A47J 37/0807;**  
**A47J 37/0814; A47J 37/0835; A47J**  
**37/0842; A47J 37/085; A47J 37/0864;**  
**A47J 37/0878; A47J 37/0885; A47J**  
**37/0892; F24C 7/00; F24C 7/002; F24C**  
**7/046; F24C 7/067; F24C 15/02; F24C**  
**15/04; F24C 15/10; F24C 15/102**

See application file for complete search history.

(56) **References Cited**

**U.S. PATENT DOCUMENTS**

- D378,262 S 3/1997 Sparks
- D393,774 S 4/1998 Ashcraft et al.
- D479,781 S 9/2003 Pottenger et al.
- D495,557 S 9/2004 Shin
- D506,637 S 6/2005 Tanaka
- D510,226 S 10/2005 Vetter
- D530,972 S 10/2006 Park
- D580,225 S 11/2008 Geiger et al.
- D599,608 S 9/2009 Grumm et al.

**OTHER PUBLICATIONS**

“2015 Pinnacle” [online], [retrieved Sep. 8, 2017]. Retrieved from the Internet <URL:https://www.google.com/search?safe=active&ris=com.microsoft%3Aen-US%3AIE-Address&biw=913&bih=653&tbm=isch&sa=1&q=rv+stove+glass&oq=rv+stove+glass&gs\_l=psy-ab.3...491717.766060.0.766951.6.6.0.0.0.255.805.0j3j1.4.0...0...1.1.64.psy-ab..2.2.349...0j0i67k1j0i8i30k1j0i24k1.n0kolOw\_4IY#imgcr=BKnmDP5PQ0te2M:&spf=1523295249889>, 1 page.

(Continued)

*Primary Examiner* — Ricky Pham  
(74) *Attorney, Agent, or Firm* — Faegre Baker Daniels LLP

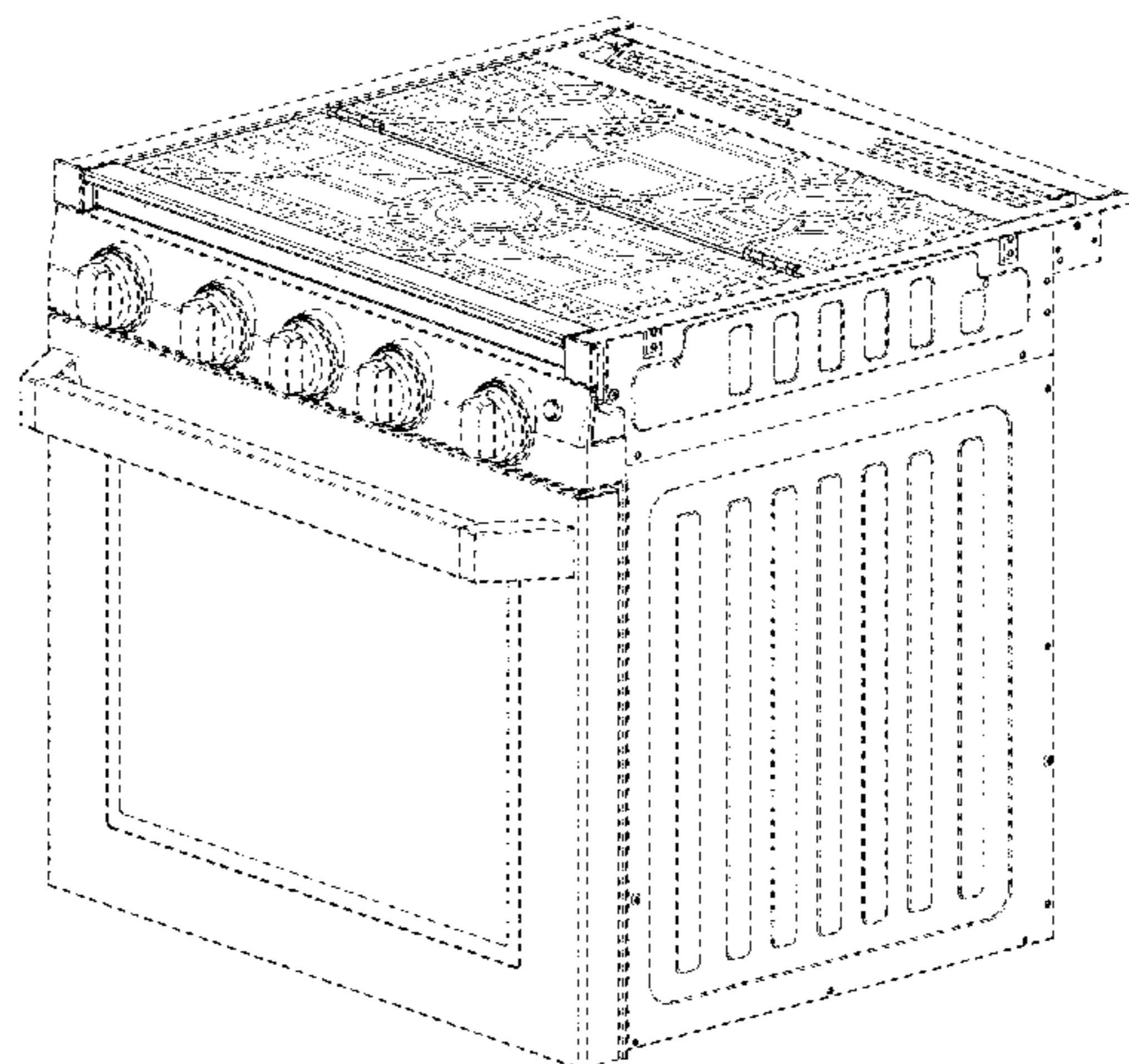
(57) **CLAIM**

The ornamental design for oven, as shown and described.

**DESCRIPTION**

FIG. 1 is a front perspective view of oven illustrating my new design;  
FIG. 2 is a front view thereof;  
FIG. 3 is a rear view thereof;  
FIG. 4 is a left side view thereof;  
FIG. 5 is a right side view thereof;  
FIG. 6 is a top view thereof; and,  
FIG. 7 is a bottom view thereof.  
Broken lines illustrate features that form no part of the claimed design.

**1 Claim, 7 Drawing Sheets**



(56)

References Cited

U.S. PATENT DOCUMENTS

D731,845	S	6/2015	Kim et al.	
D736,553	S *	8/2015	Funnell, II	D7/339
D763,616	S	8/2016	Kim et al.	
D765,459	S	9/2016	Shoemaker et al.	
D773,232	S	12/2016	Shoemaker et al.	
D781,096	S *	3/2017	Kim	D7/339
D781,648	S *	3/2017	Shoemaker	D7/406
D786,005	S	5/2017	Kim et al.	
D786,006	S *	5/2017	Chung	D7/340
D787,254	S	5/2017	Cho et al.	
D787,256	S	5/2017	Cho et al.	
D789,729	S	6/2017	Lee et al.	
D793,795	S	8/2017	Suh	
D806,706	S	1/2018	Kim et al.	
D808,707	S *	1/2018	Kim	D7/340
D811,165	S	2/2018	Sadtler	
D812,959	S *	3/2018	Kim	D7/348
D816,386	S *	5/2018	Kim	D7/340
D817,066	S *	5/2018	Shoemaker	D7/339
D817,685	S *	5/2018	Incukur	D7/340
2013/0019853	A1 *	1/2013	Kim	F24C 15/02 126/190

OTHER PUBLICATIONS

“2017 Fleetwood Jamboree RV—Class C Motorhome” [online], [retrieved on Sep. 8, 2017]. Retrieved from the Internet <URL:<http://www.fleetwoodrv.com/2017-fleetwood-jamboree>>, 11 pages.

“Atwood RV-2135 BBP 52232 21 inch,” RV Parts Country, [rvpartscountry.com](http://rvpartscountry.com), UPC Code: 92931522326, Jan. 6, 2014. <https://web.archive.org/web/20140106195901/http://www.rvpartscountry.com/Atwood-3-Burner-21inch-Range-wo-Piezo.html>.

“Camco 43554 Universal Fit RV Stove Top Cover (Black)” [online], [retrieved on Sep. 8, 2017]. Retrieved from the Internet <URL:<http://www.ebay.com/itm/Camco-43554-Universal-Fit-RV-Stove-Top-Cover-Black-Black-/112357123356?epid=671816644&hash=>

[item1a2901a51c:g:JAUAAOSwDmBY4cQK&vxp=mtr](http://www.campingworld.com/shopping/item/conventional-burner-gas-range-piezo-lite-17-/84505&utm_source=google&utm_medium=cpc&scid=scplp84505&sc_intid=84505?utm_campaign=SC_Shopping_High&affiliateid=6313&gclid=EA1a1QobChM1u-WO-oKW1gIVCi9pCh0kjQLZEAQYAyABEgL7mvD_BwE)>, 3 pages.

“Conventional Burner Gas Range—Piezo Lite, 17” [online], [first retrieved on Sep. 8, 2017], Retrieved from the Internet <URL:[http://www.campingworld.com/shopping/item/conventional-burner-gas-range-piezo-lite-17-/84505&utm\\_source=google&utm\\_medium=cpc&scid=scplp84505&sc\\_intid=84505?utm\\_campaign=SC\\_Shopping\\_High&affiliateid=6313&gclid=EA1a1QobChM1u-WO-oKW1gIVCi9pCh0kjQLZEAQYAyABEgL7mvD\\_BwE](http://www.campingworld.com/shopping/item/conventional-burner-gas-range-piezo-lite-17-/84505&utm_source=google&utm_medium=cpc&scid=scplp84505&sc_intid=84505?utm_campaign=SC_Shopping_High&affiliateid=6313&gclid=EA1a1QobChM1u-WO-oKW1gIVCi9pCh0kjQLZEAQYAyABEgL7mvD_BwE)>, 3 pages.

“La Germania 3-Gas Burner Manual Oven,” La Germania, [cebuappliancecenter.com](http://cebuappliancecenter.com), Nov. 29, 2014 <https://web.archive.org/web/20141129124153/http://www.cebuappliancecenter.com:80/product/la-germania-3-gas-burner-manualoven/lagermania.pdf>.

“Marine Gas Stove with Three Burner Cooktop,” Fisheries Supply, [fisheriessupply.com](http://fisheriessupply.com), Sep. 6, 2016. <https://web.archive.org/web/20160906075007/https://www.fisherliessupply.com/force-10-marine-gas-stove-with-three-burner-cooktop-range-gimbale>.

“Stove Top Cover Wooden Counter Mat Travel RV Kitchen Gas Range Burner Serving” [online], [retrieved on Sep. 8, 2017]. Retrieved from the Internet <<http://www.ebay.com/itm/Stove-Top-Cover-Wooden-Counter-Mat-Travel-RV-Kitchen-Gas-Range-Burner-Serving-/332042293030?epid=1111828905&hash=item4d4f434f26:g:7pYAAOSwiONYNkbg&vxp=mtr>>, 3 pages.

“Suburban 3206A Gas Range with Conventional Burners—Black w/Piezo Ignition, 17”,” Amazon, [amazon.com](http://amazon.com), ASIN:B00PXJRYR0, Manufacturer Part No. 3206A, Nov. 21, 2014. <https://www.amazon.com/dp/B00PXJRYR0/>.

“Wedgewood RV/Camper Stove” [online], [retrieved Sep. 8, 2017]. Retrieved from the Internet <URL: <https://www.5miles.com/item/YEZ7JEpQ8KAgK8ze/wedgewood-rvcamper-stove-great-shape>>, 3 pages.

Lowe, Jessica. “How to Baby Proof Your RV” [online], [retrieved on Sep. 8, 2017]. Retrieved from the Internet <URL: <http://www.carefreecomunities.com/blog/how-to-baby-proof-your-rv/>>, 4 pages.

Nordby, Klaus. “My Latest Experiment in Living on Earth: Klaus “Easy Comfy Rider” Nordby hits the rrrrrrrrrrrroad!” [online], [retrieved on Sep. 8, 2017]. Retrieved from the Internet <URL:<http://klausnordby.com/ego/rv.html>>, 11 pages.

\* cited by examiner

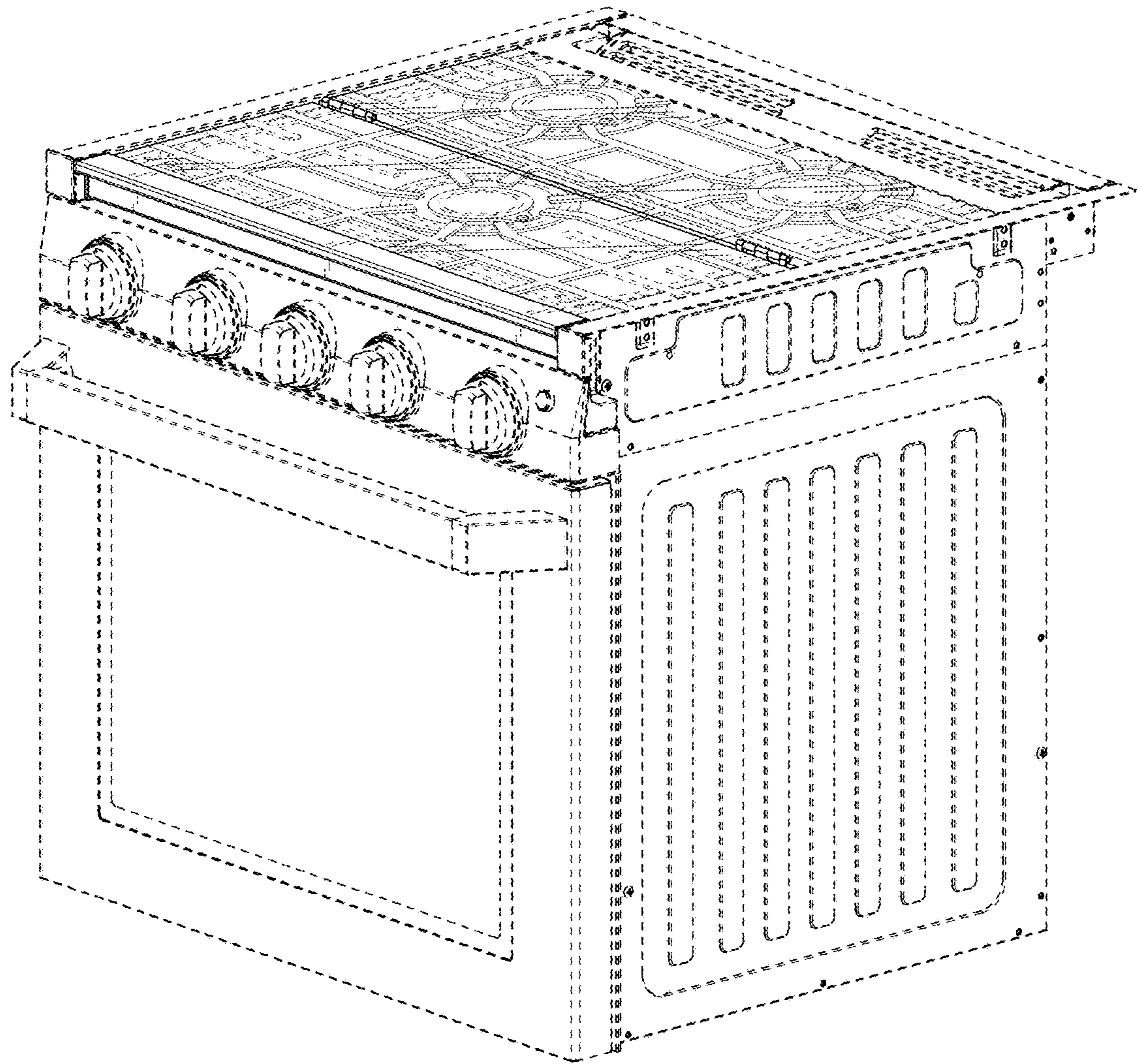


FIG. 1

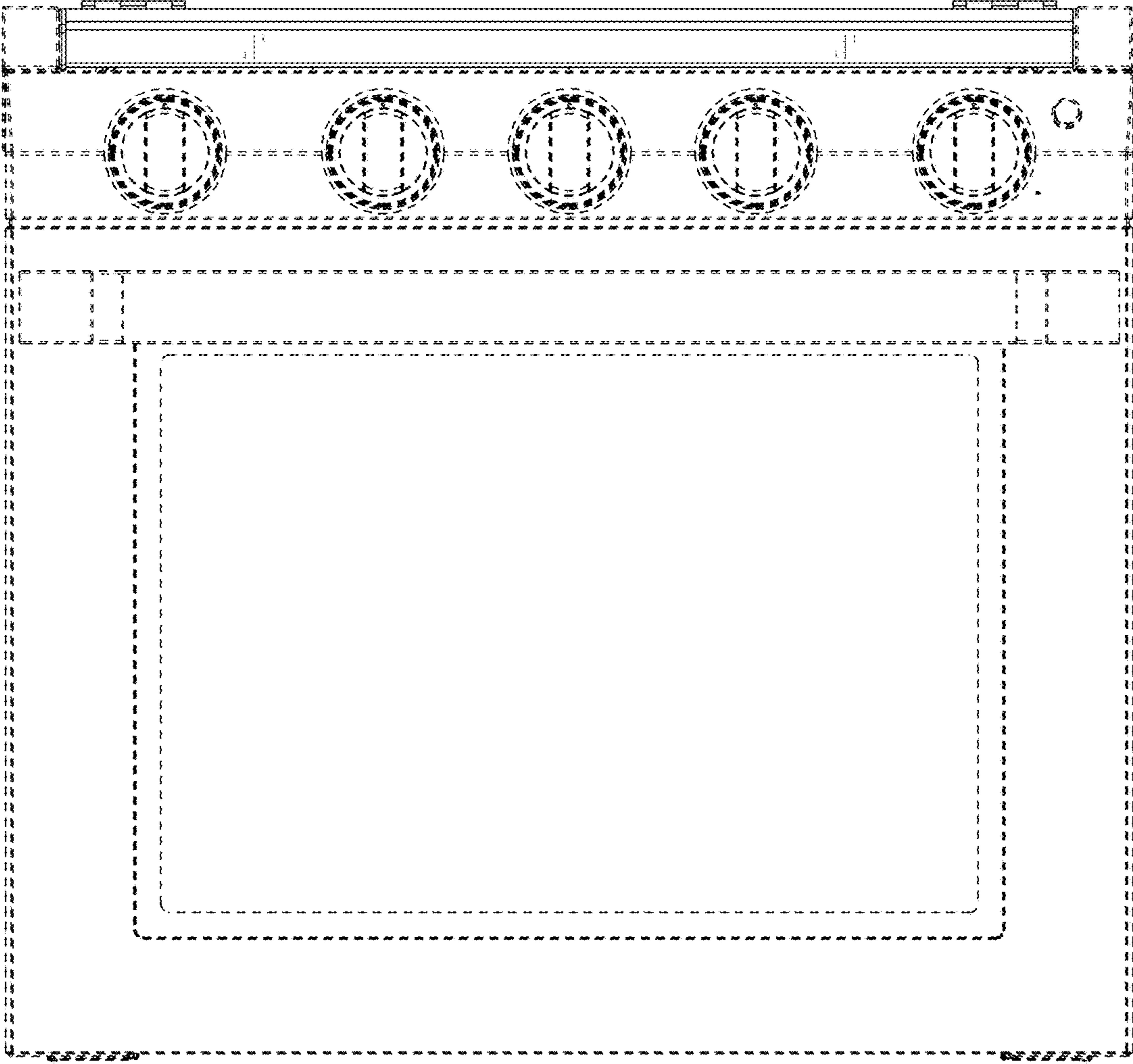


FIG. 2

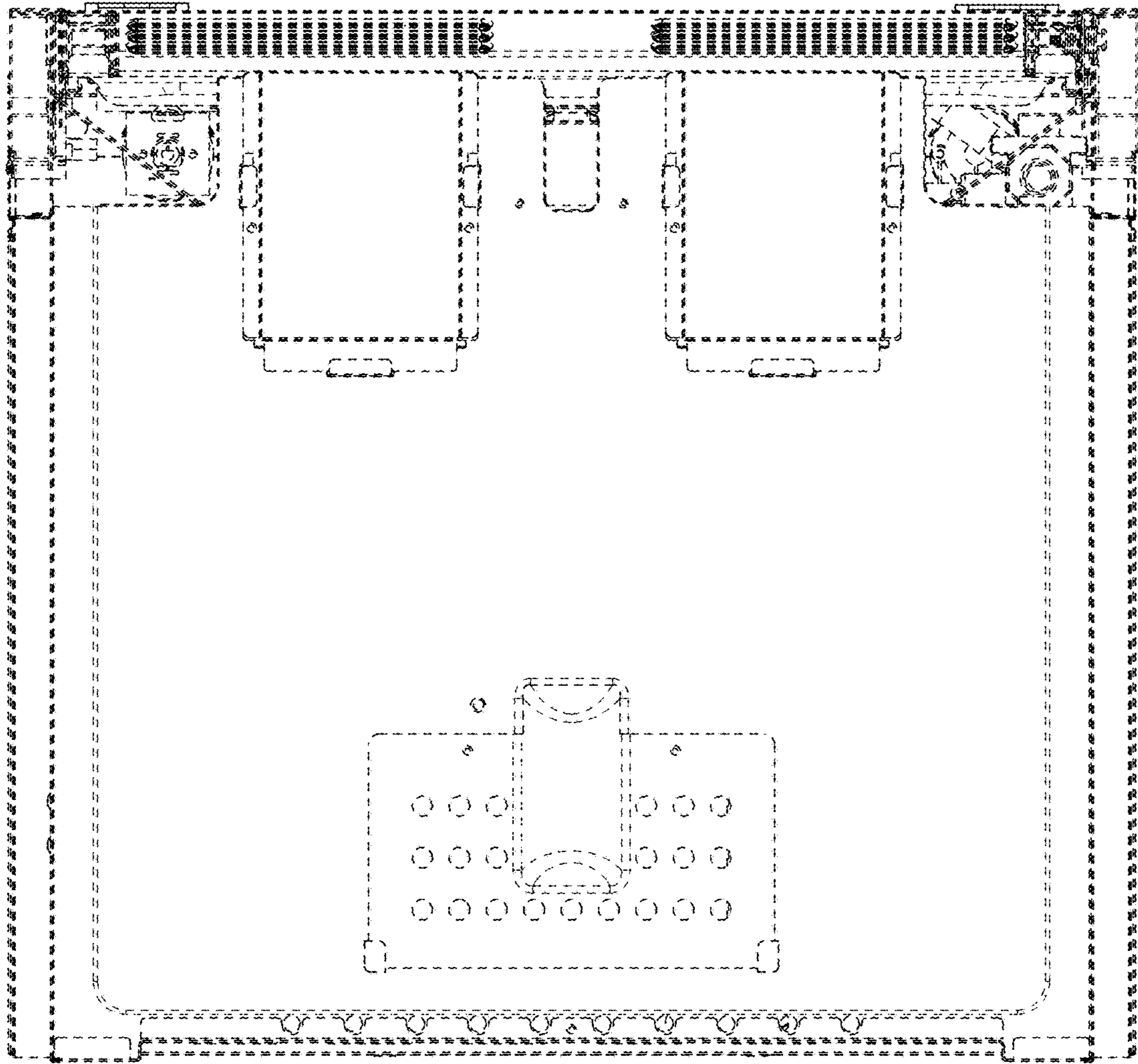


FIG. 3

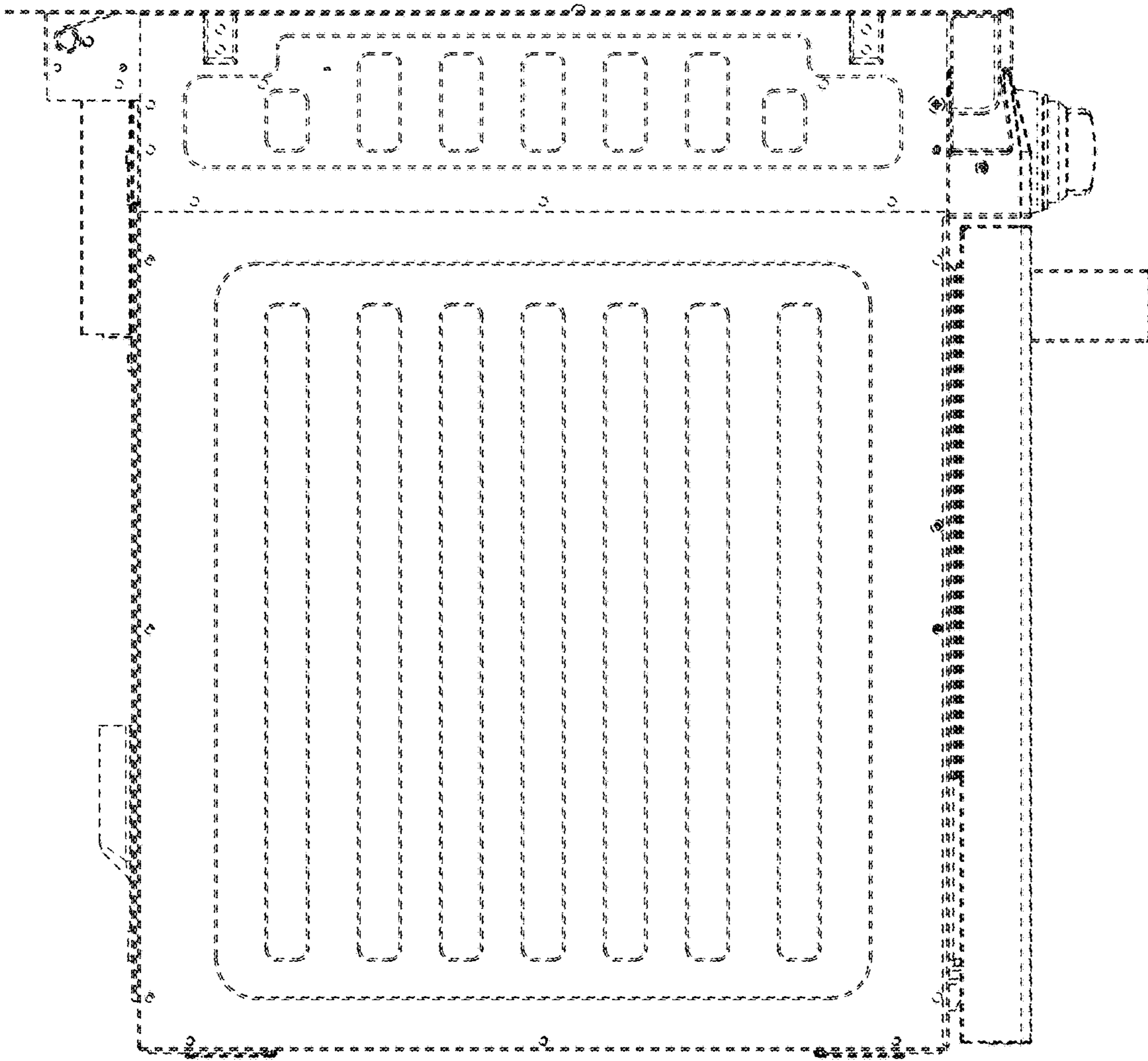


FIG. 4

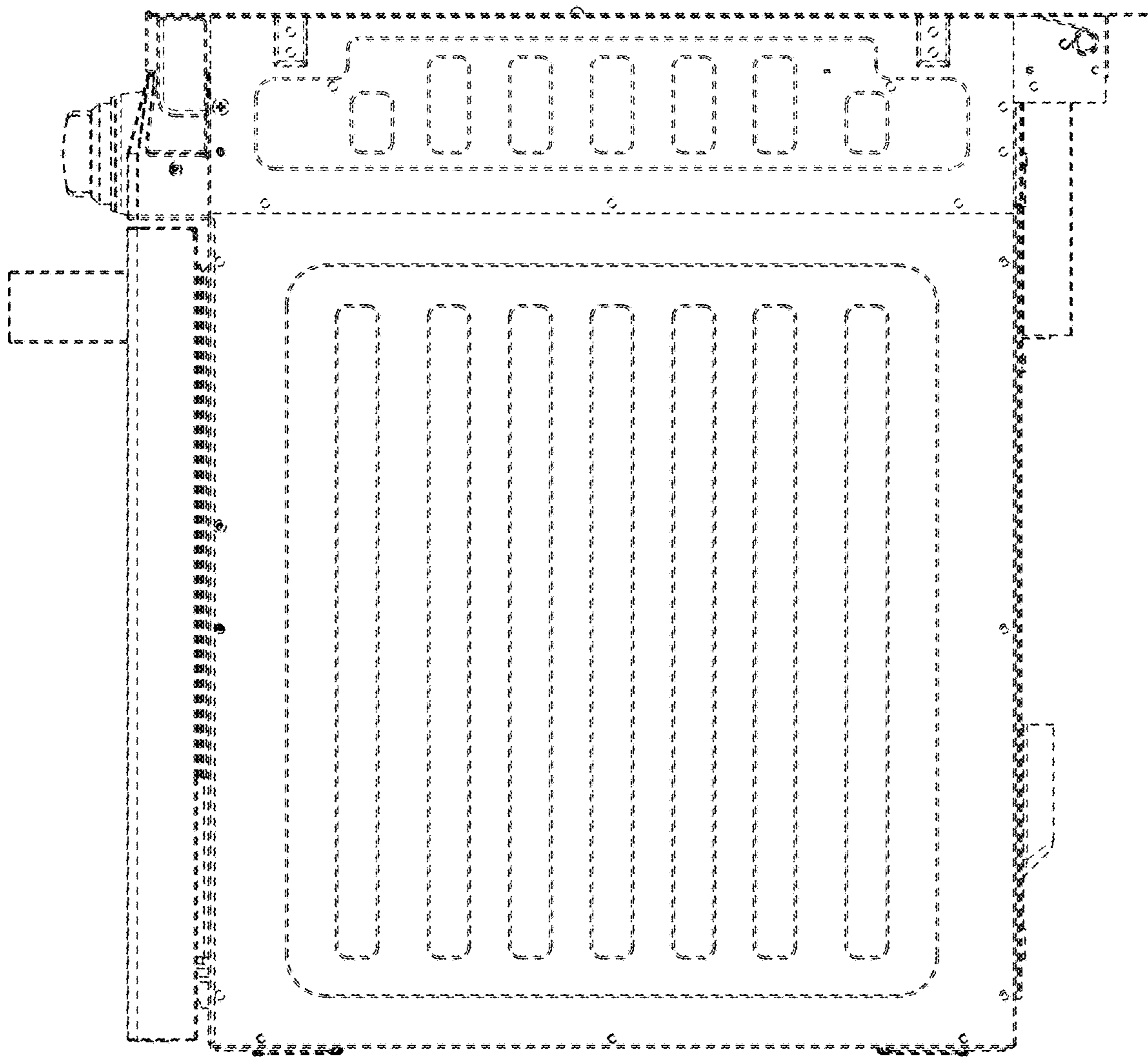


FIG. 5

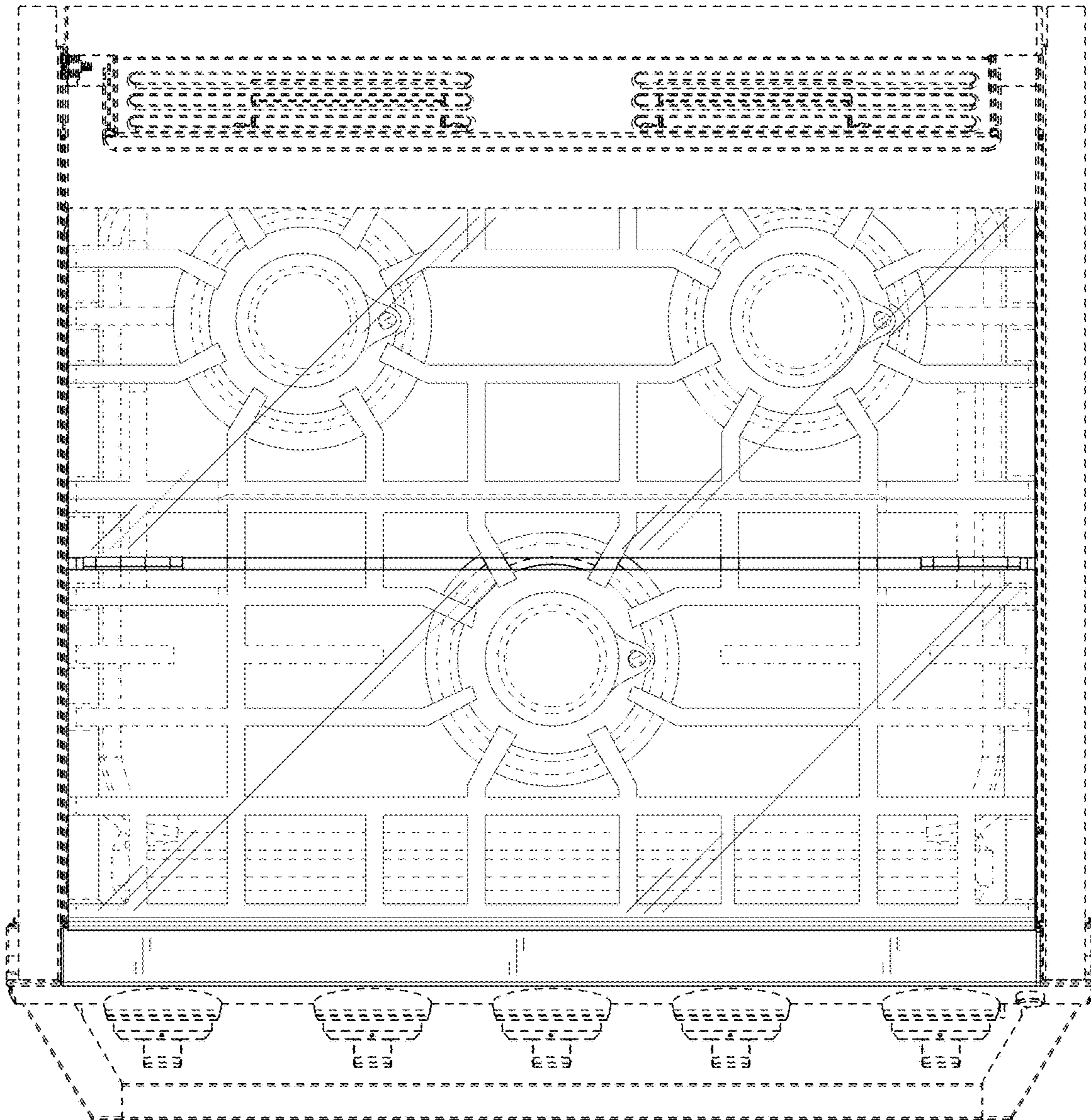


FIG. 6



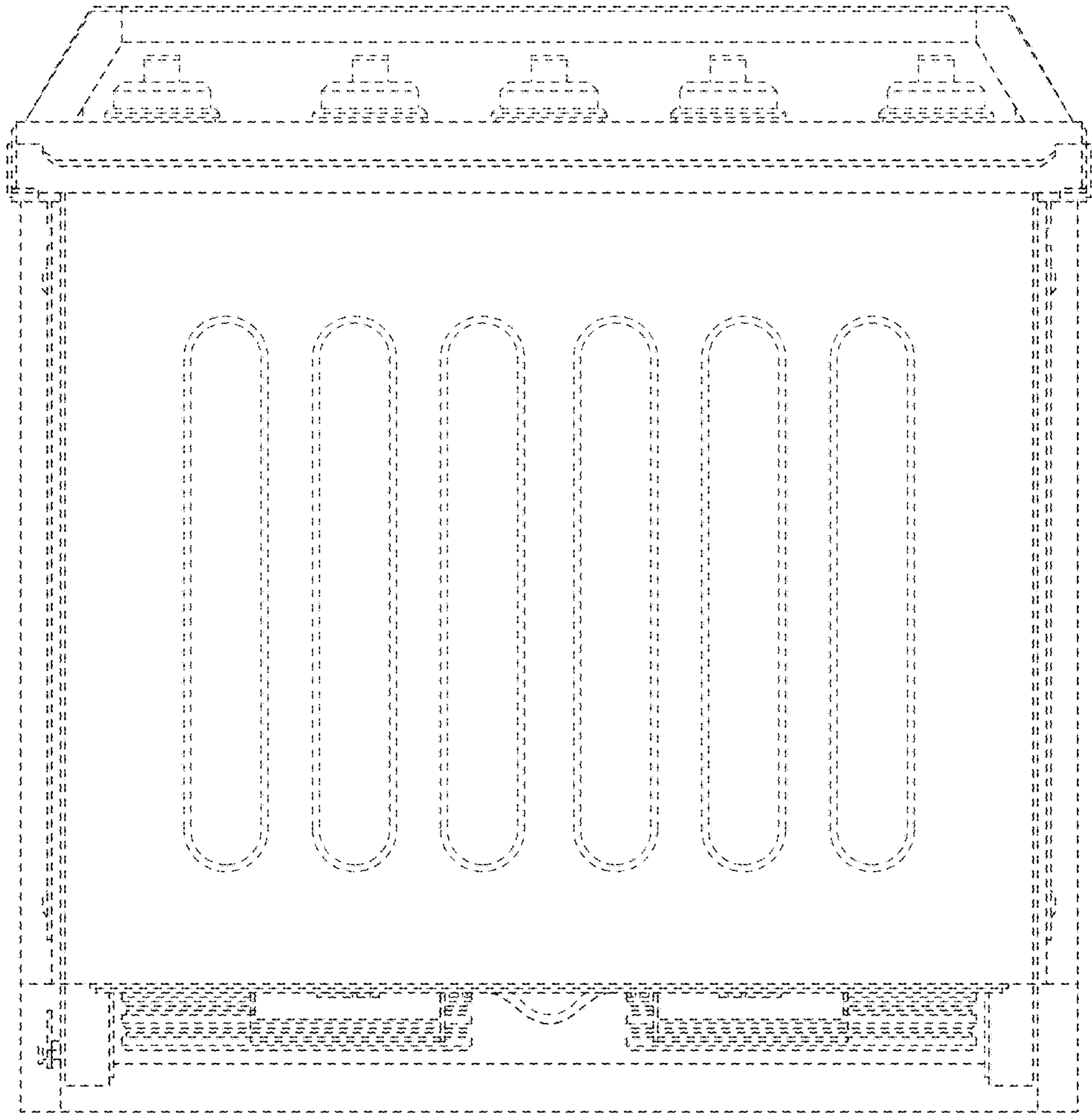


FIG. 7