



US00D839037S

(12) **United States Design Patent**
Benitez

(10) **Patent No.:** **US D839,037 S**
(45) **Date of Patent:** **** Jan. 29, 2019**

(54) **TORTILLA TOASTER**

(71) Applicant: **Elliot Benitez**, Chicago, IL (US)

(72) Inventor: **Elliot Benitez**, Chicago, IL (US)

(**) Term: **15 Years**

(21) Appl. No.: **29/622,814**

(22) Filed: **Oct. 19, 2017**

Related U.S. Application Data

(63) Continuation of application No. 29/601,210, filed on Apr. 20, 2017, now Pat. No. Des. 808,704, and a
(Continued)

(51) **LOC (11) Cl.** **07-02**

(52) **U.S. Cl.**
USPC **D7/330**

(58) **Field of Classification Search**
USPC D7/323, 328-330, 350.1, 350.4, 363, 390
(Continued)

(56) **References Cited**

U.S. PATENT DOCUMENTS

2,562,535 A * 7/1951 Leonard A47J 37/0814
307/132 T
5,584,231 A * 12/1996 DeLeon A47J 37/0611
219/492

(Continued)

Primary Examiner — Ricky Pham

(74) *Attorney, Agent, or Firm* — James Faier; Faier & Faier P.C.

(57) **CLAIM**

The ornamental design for the tortilla toaster, as shown and described.

DESCRIPTION

FIG. 1 is a front perspective view of a first embodiment of the tortilla toaster invention;

FIG. 2 is a front elevation view of a first embodiment of the tortilla toaster invention;

FIG. 3 is a rear elevation view of a first embodiment of the tortilla toaster invention;

FIG. 4 is a left side view of a first embodiment of the tortilla toaster invention;

FIG. 5 is a right side view of a first embodiment of the tortilla toaster invention;

FIG. 6 is a top plan view of a first embodiment of the tortilla toaster invention;

FIG. 7 is a bottom view of a first embodiment of the tortilla toaster invention;

FIG. 8 is a perspective view of a first embodiment of the tortilla toaster invention where the oven assembly has been rotated;

FIG. 9 is a front perspective view of a second embodiment of the tortilla toaster invention;

FIG. 10 is a front elevation view of a second embodiment of the tortilla toaster invention;

FIG. 11 is a rear elevation view of a second embodiment of the tortilla toaster invention;

FIG. 12 is a left side view of a second embodiment of the tortilla toaster invention;

FIG. 13 is a right side view of a second embodiment of the tortilla toaster invention;

FIG. 14 is a top plan view of a second embodiment of the tortilla toaster invention;

FIG. 15 is a bottom view of a second embodiment of the tortilla toaster invention;

FIG. 16 is a perspective view of a second embodiment of the tortilla toaster invention where the oven assembly has been rotated;

FIG. 17 is a front perspective view of a third embodiment of the tortilla toaster invention;

FIG. 18 is a front elevation view of a third embodiment of the tortilla toaster invention;

FIG. 19 is a rear elevation view of a third embodiment of the tortilla toaster invention;

FIG. 20 is a left, side view of a third embodiment of the tortilla toaster invention;

FIG. 21 is a right side view of a third embodiment of the tortilla toaster invention;

FIG. 22 is a top plan view of a third embodiment of the tortilla toaster invention;

(Continued)

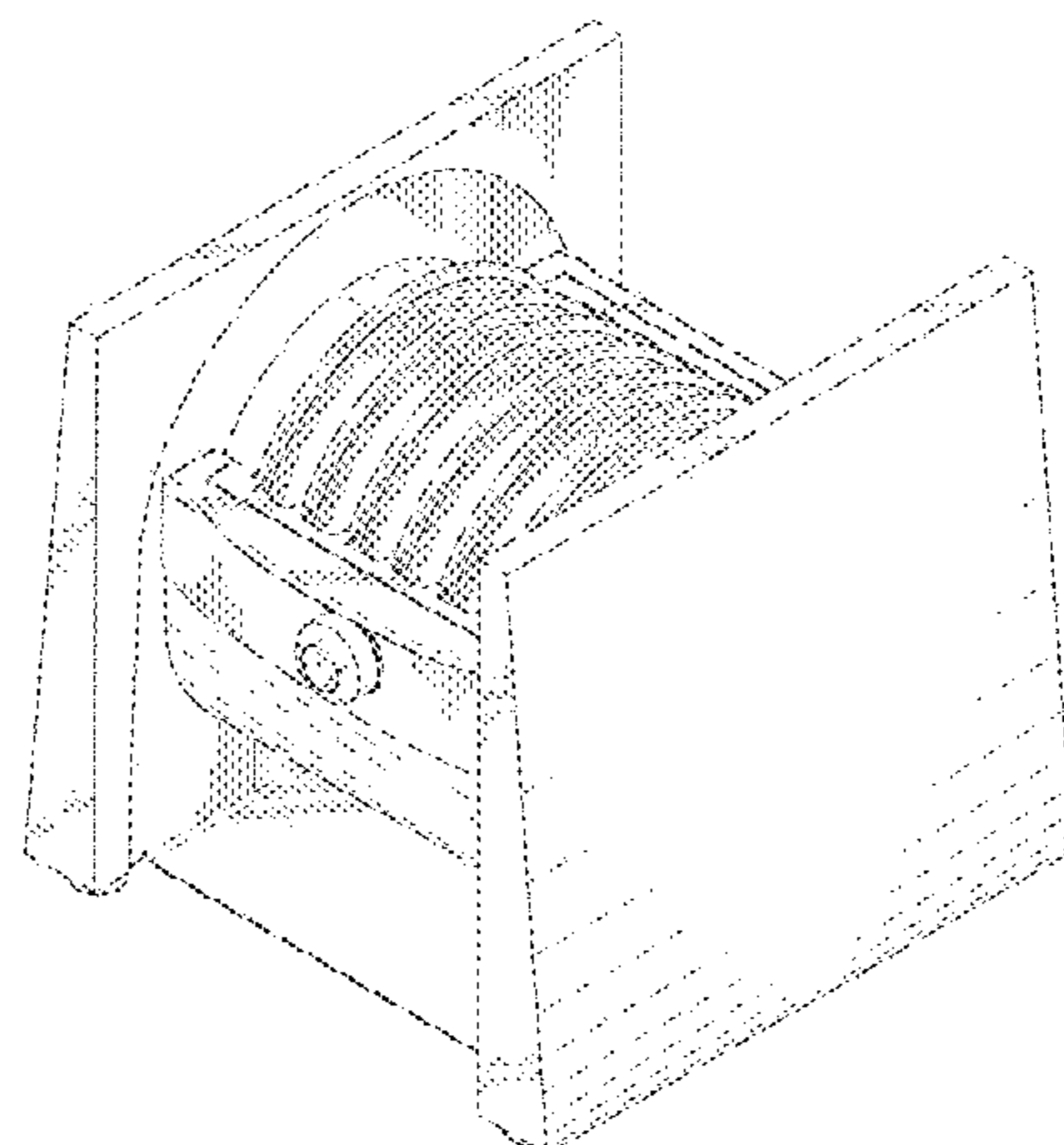
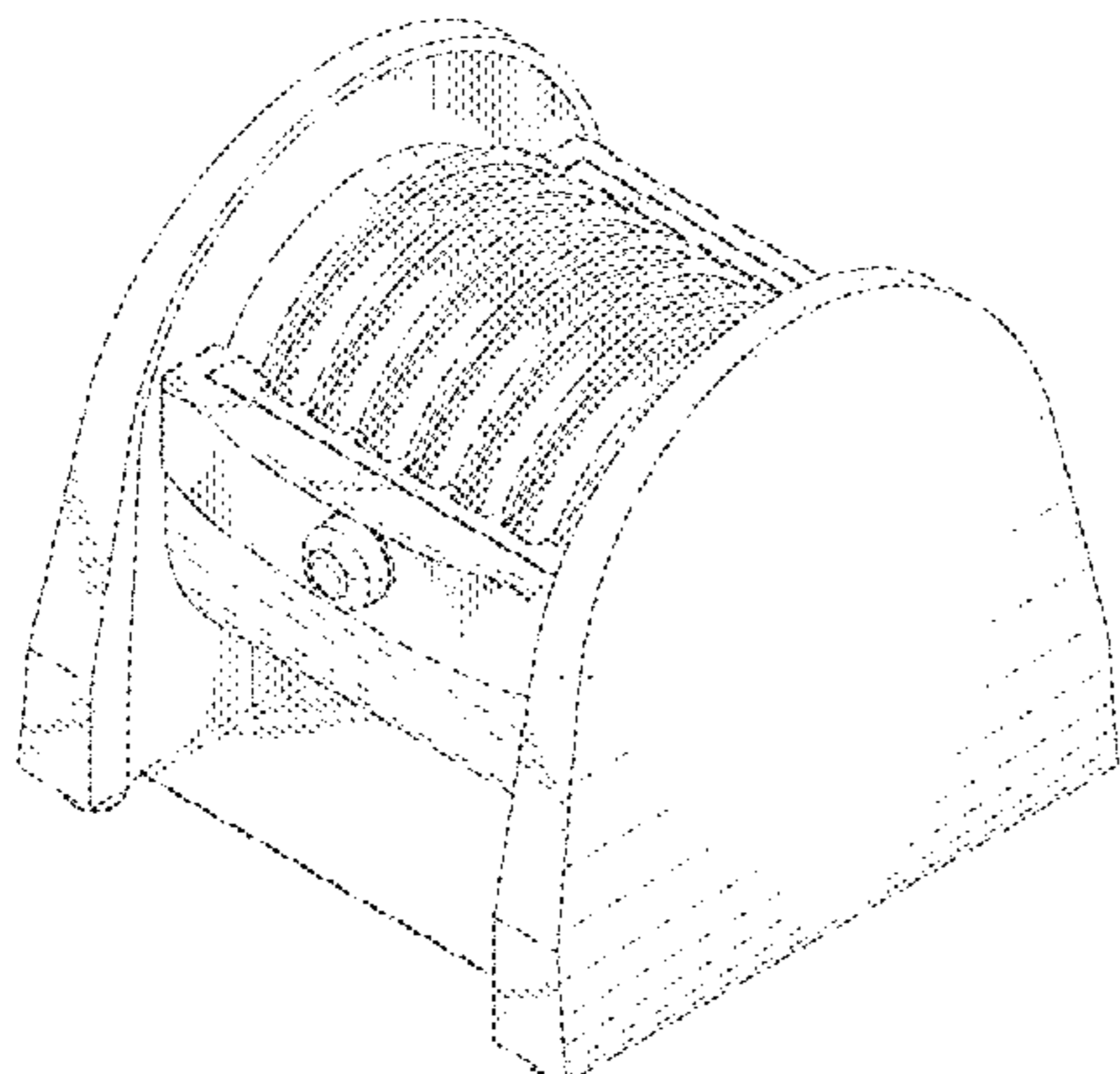


FIG. 23 is a bottom view of a third embodiment of the tortilla toaster invention; and,
FIG. 24 is a perspective view of a third embodiment of the tortilla toaster invention where the oven assembly has been rotated.

1 Claim, 24 Drawing Sheets

Related U.S. Application Data

continuation of application No. 14/773,753, filed as application No. PCT/US2014/029236 on Mar. 14, 2014.

(58) **Field of Classification Search**

CPC ... A21B 2/00; A47J 37/00; A47J 37/06; A47J 37/0611; A47J 37/08; A47J 37/0807; A47J 37/0814; A47J 37/0835; A47J 37/0842; A47J 37/085; A47J 37/0857; A47J 37/0864; A47J 37/0871; A47J

37/0878; A47J 37/0885; A47J 37/0892; F24C 15/10; F24C 15/102

See application file for complete search history.

(56)

References Cited

U.S. PATENT DOCUMENTS

D401,472	S	*	11/1998	Gould	D7/330
D413,040	S	*	8/1999	Lawrence	D7/350.4
D422,172	S	*	4/2000	Hsu	D7/337
D423,280	S	*	4/2000	Lin	D7/337
D433,867	S	*	11/2000	Hsu	D7/350.4
D451,333	S	*	12/2001	Hsu	D7/350.4
7,047,871	B1	*	5/2006	Christoffel	A47J 37/0871 99/327
D568,669	S	*	5/2008	Kizilbayir	D7/328
D703,993	S	*	5/2014	Garman	D7/350.1
D808,704	S	*	1/2018	Benitez	A47J 37/0871 D7/330
2016/0045069	A1	*	2/2016	Benitez	A47J 37/0807 426/418

* cited by examiner

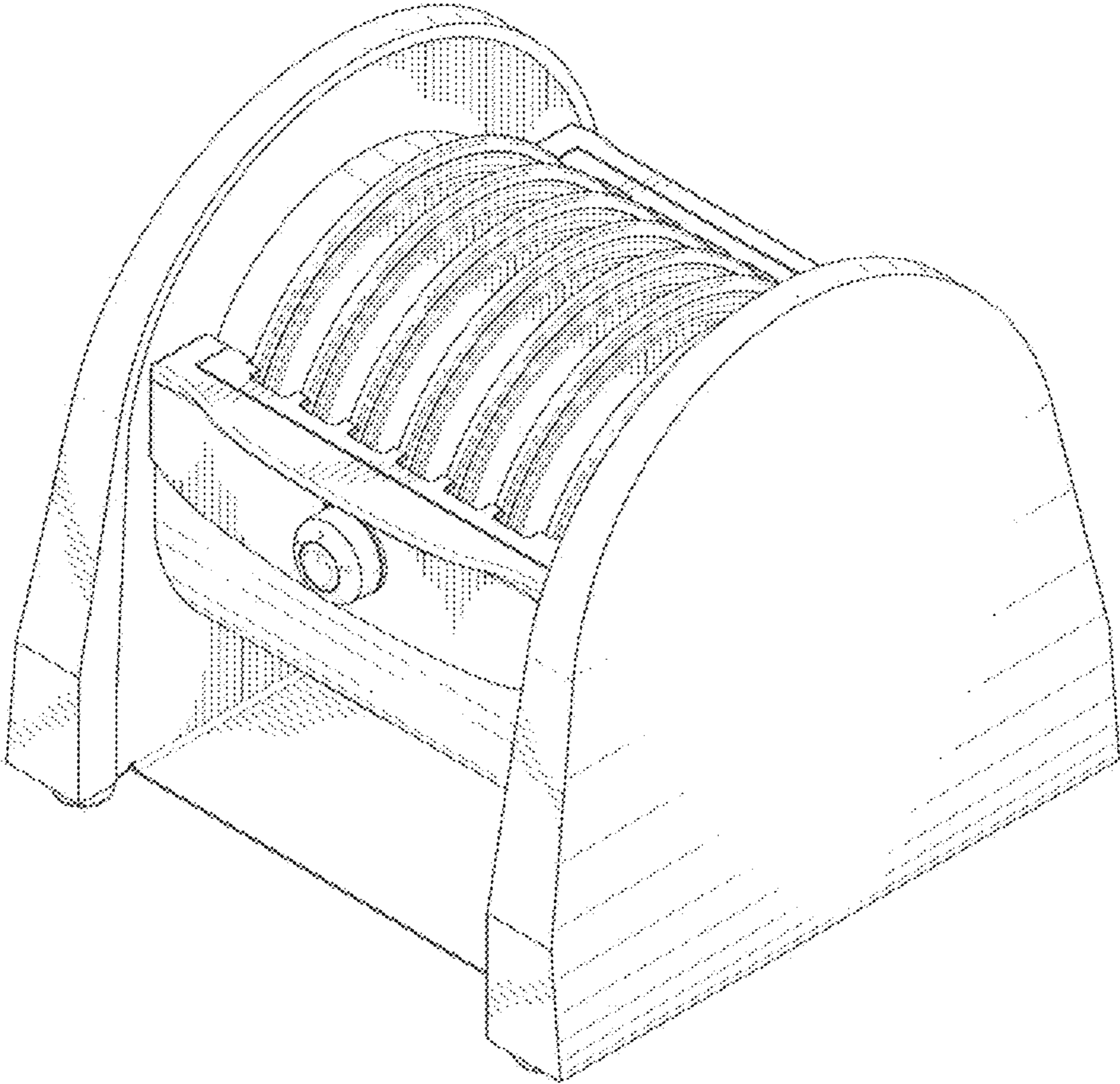


FIG. 1

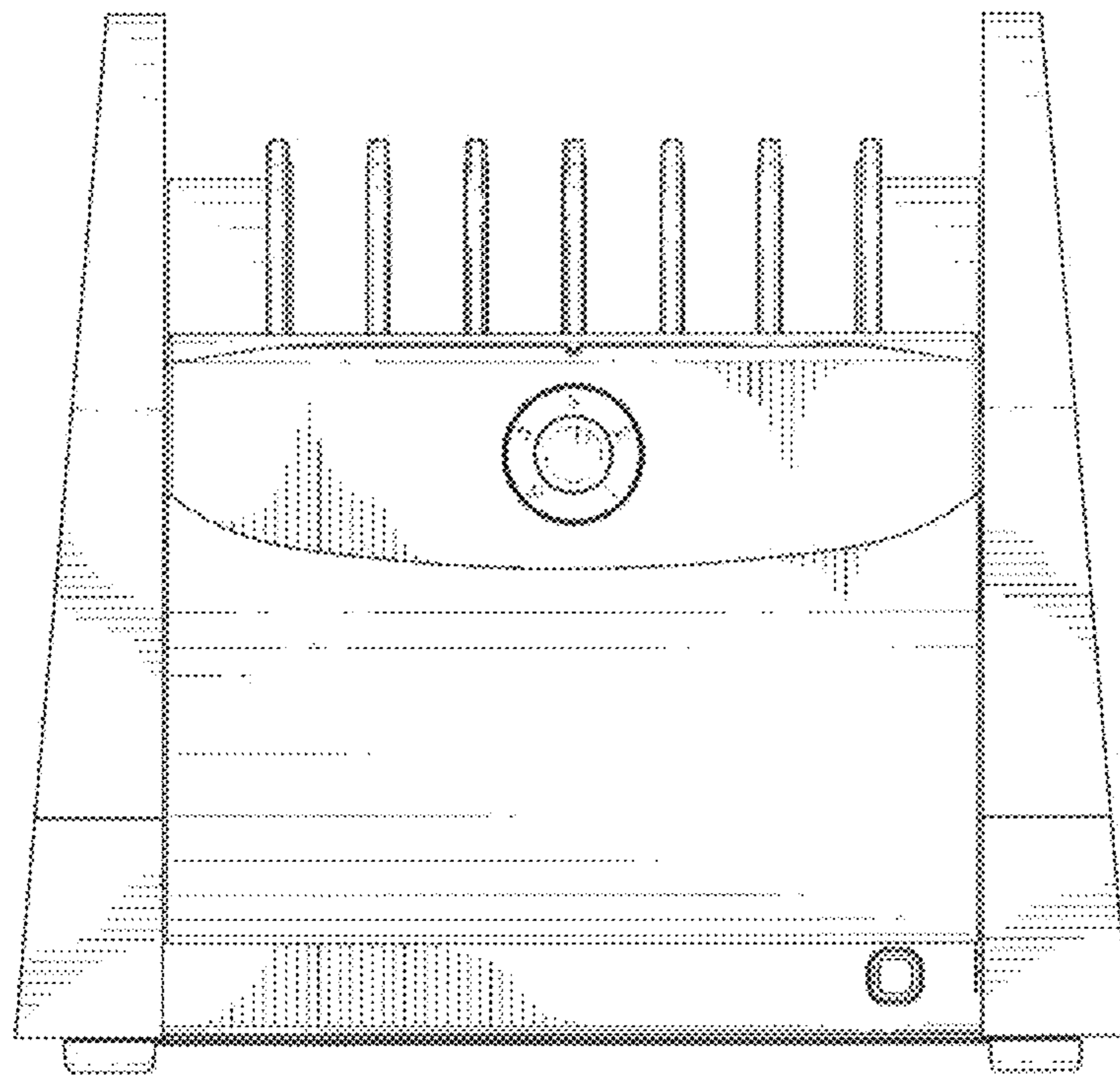


FIG. 2

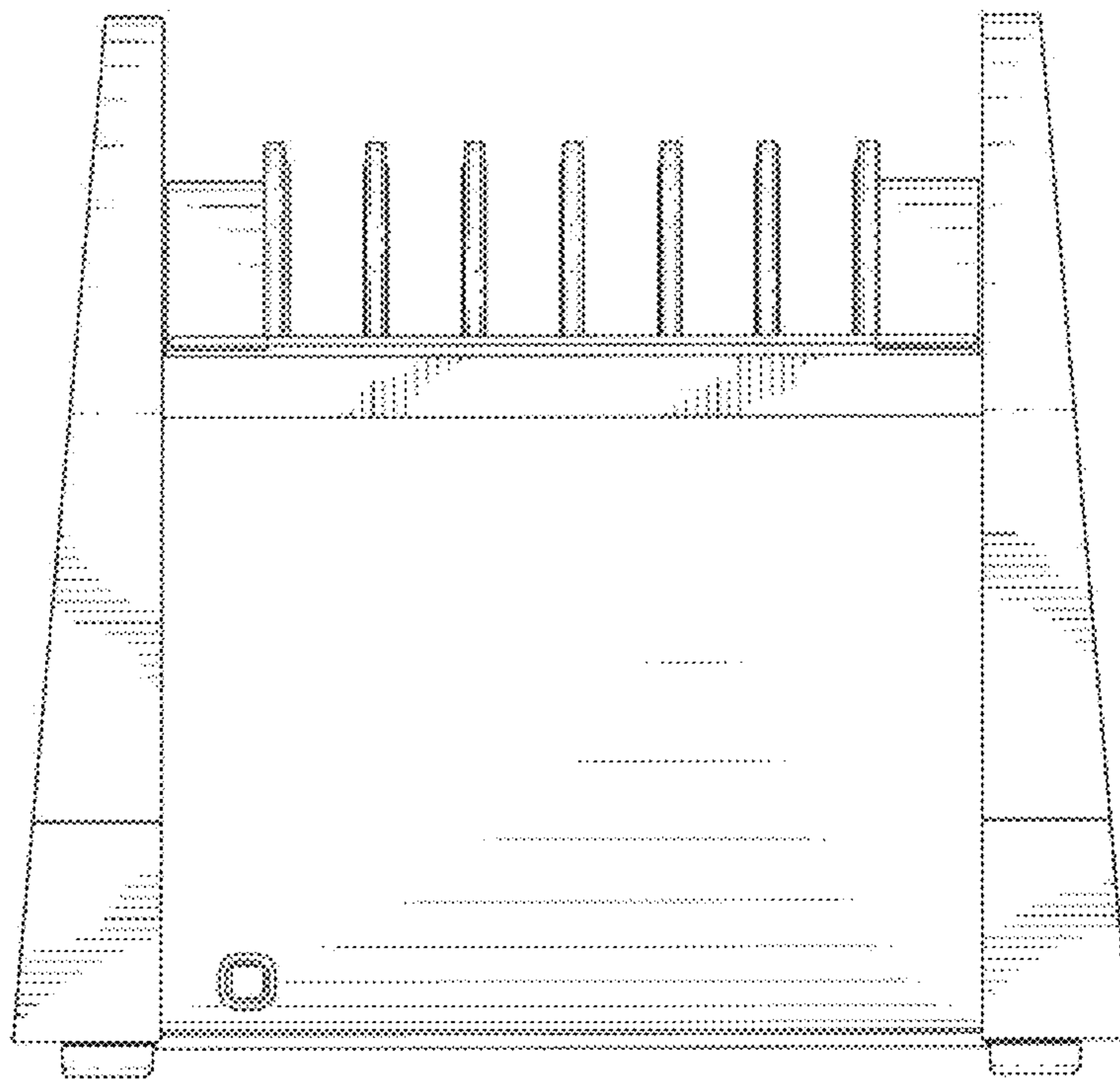


FIG. 3

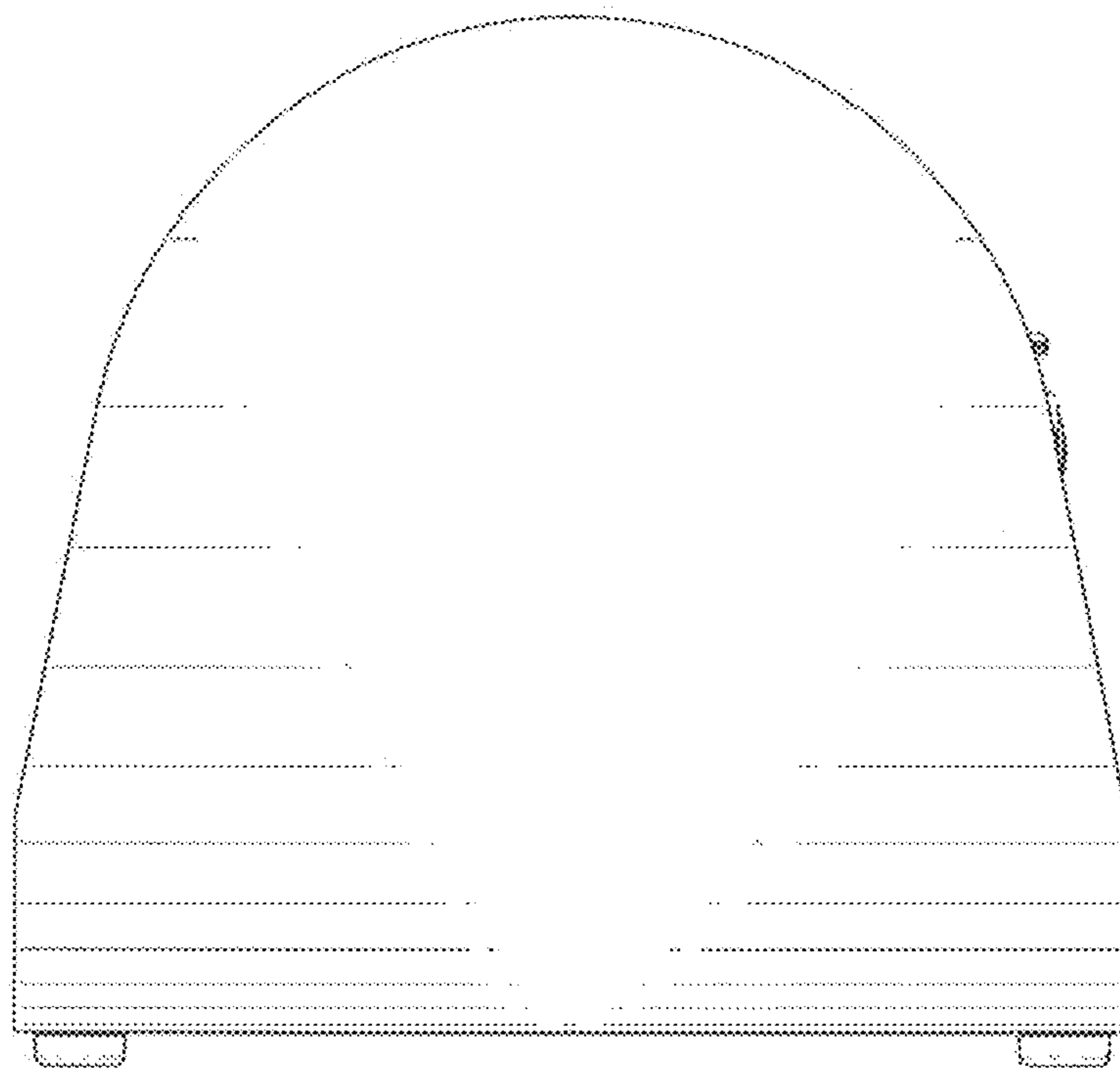


FIG.4

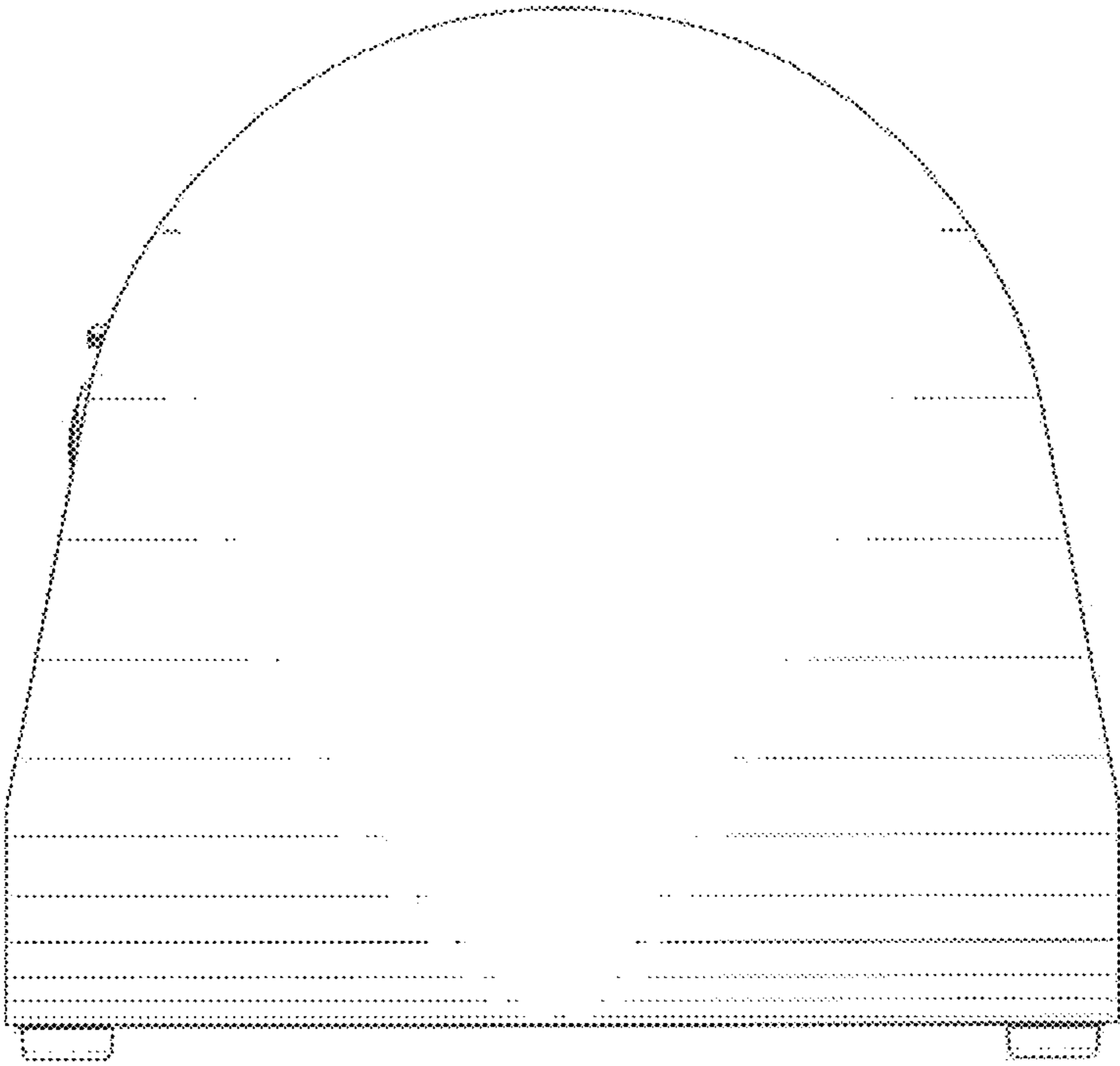


FIG. 5

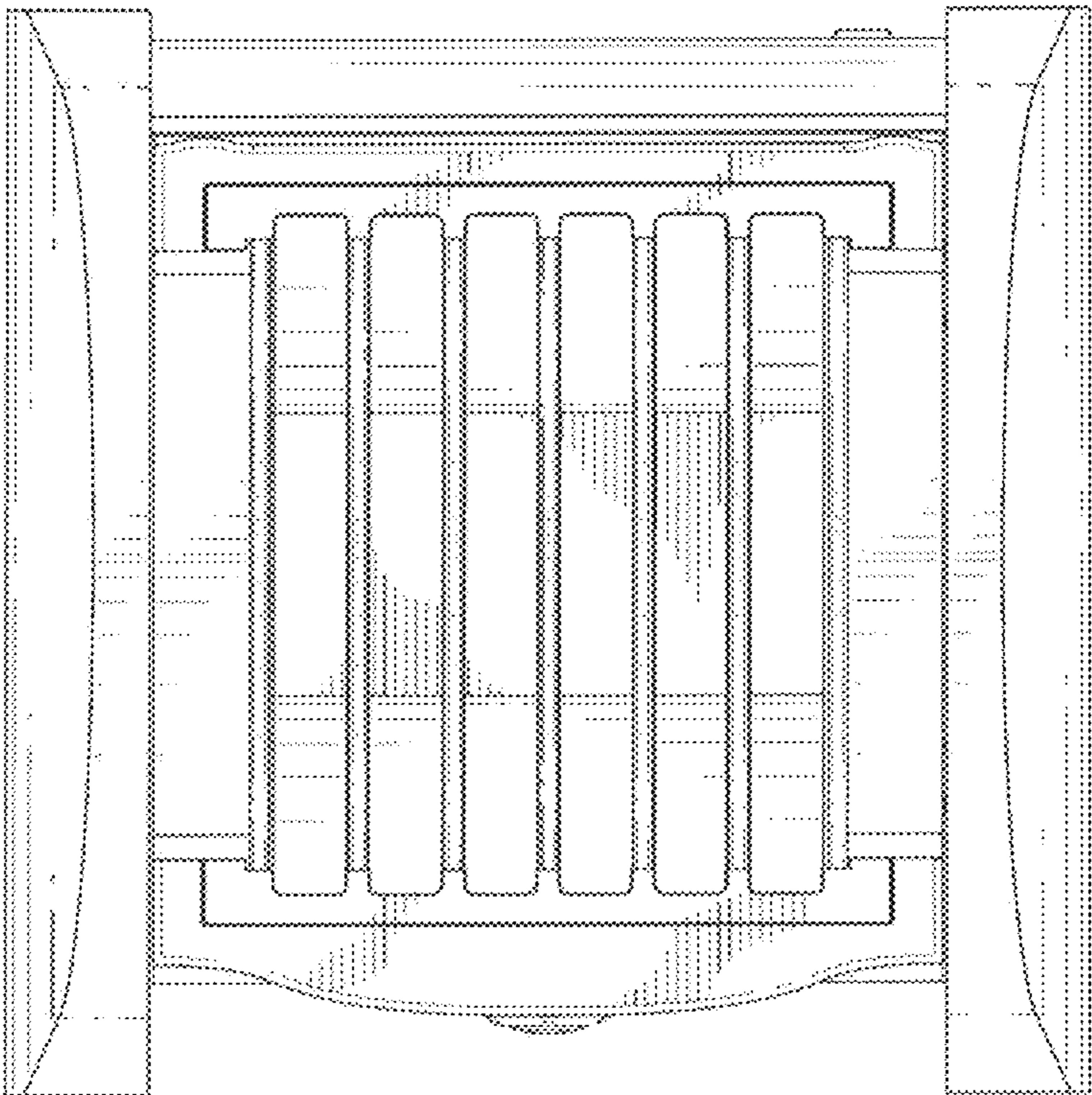


FIG.6

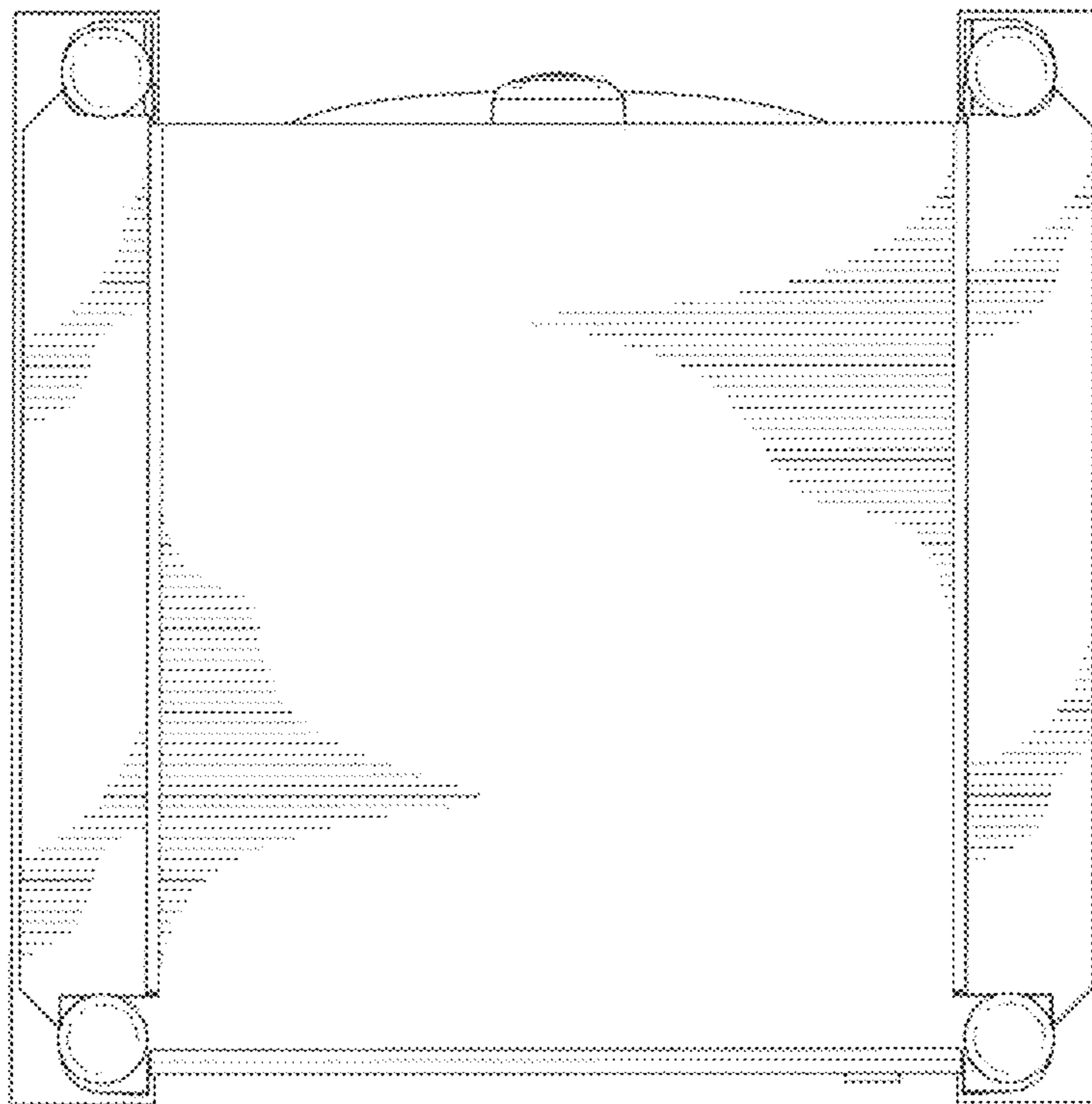


FIG. 7

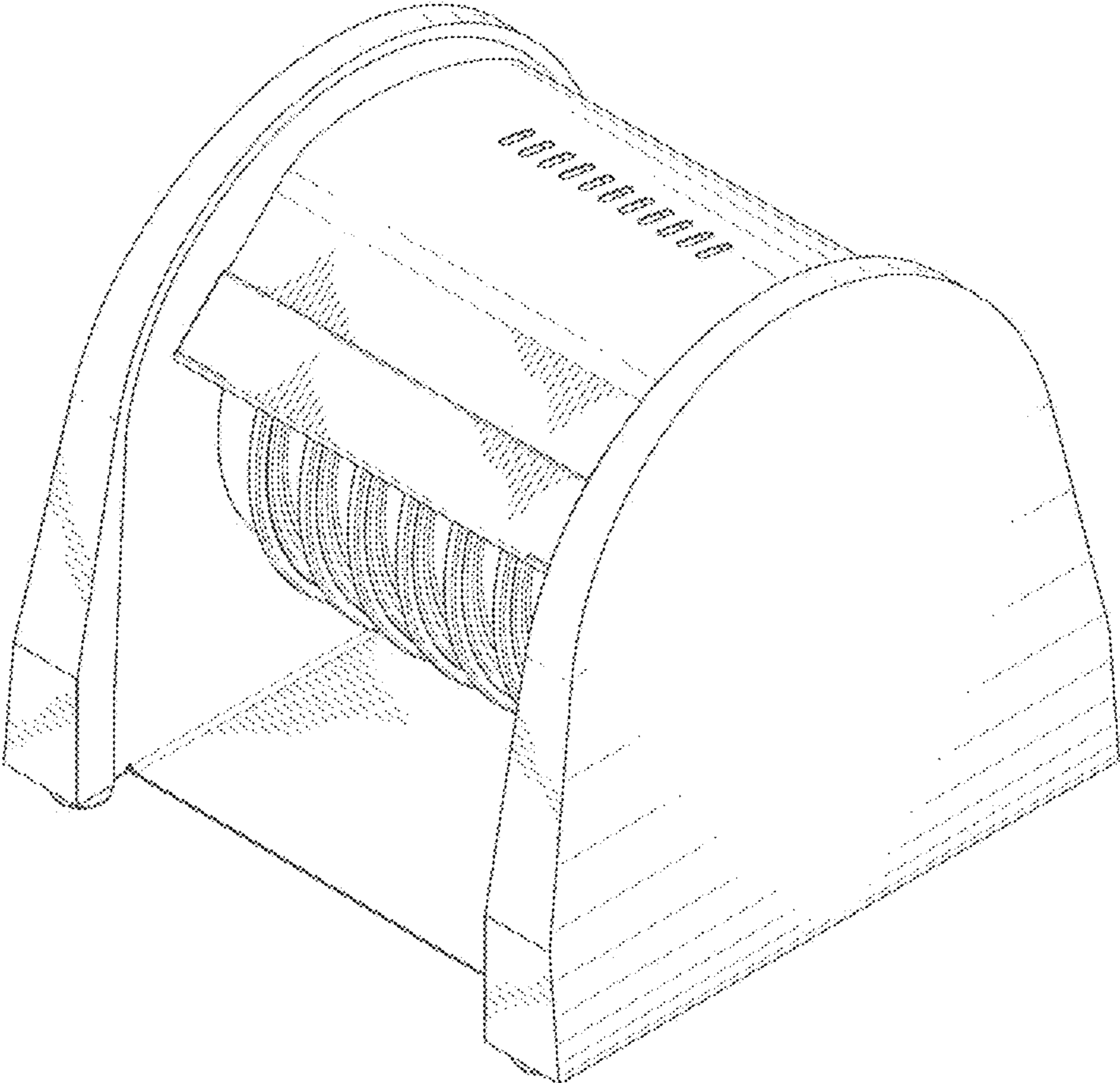


FIG.8

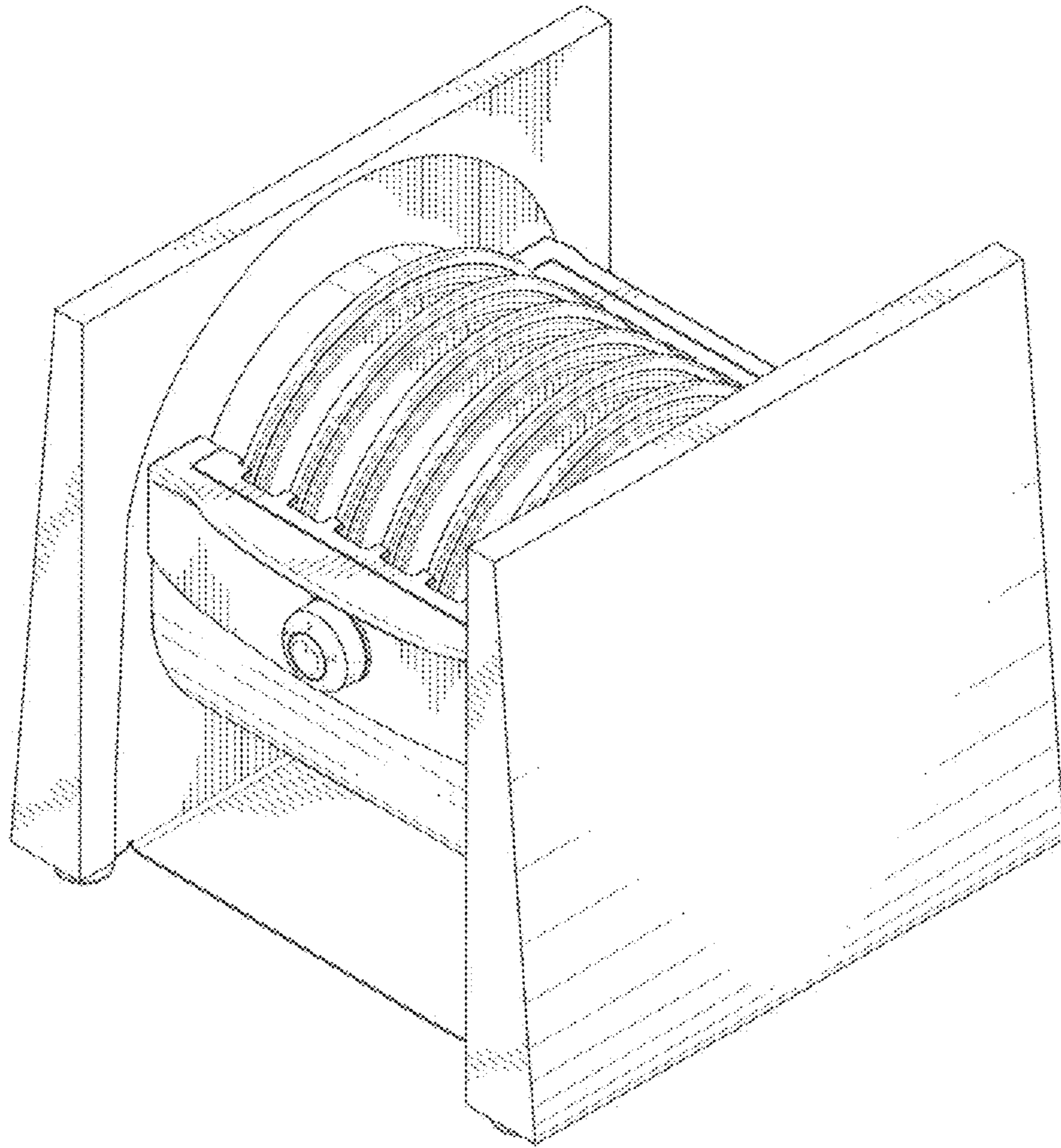


FIG.9

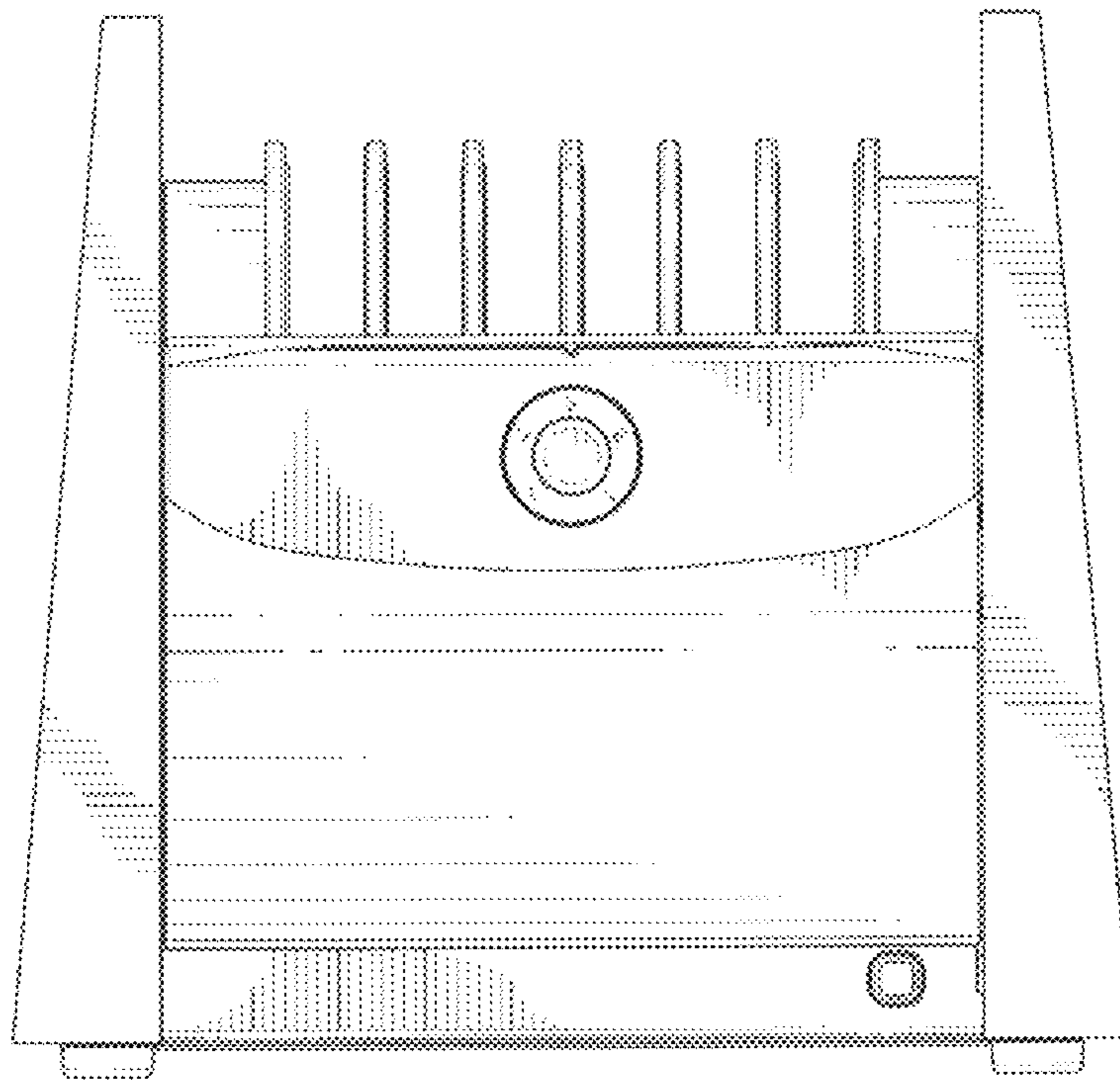


FIG. 10

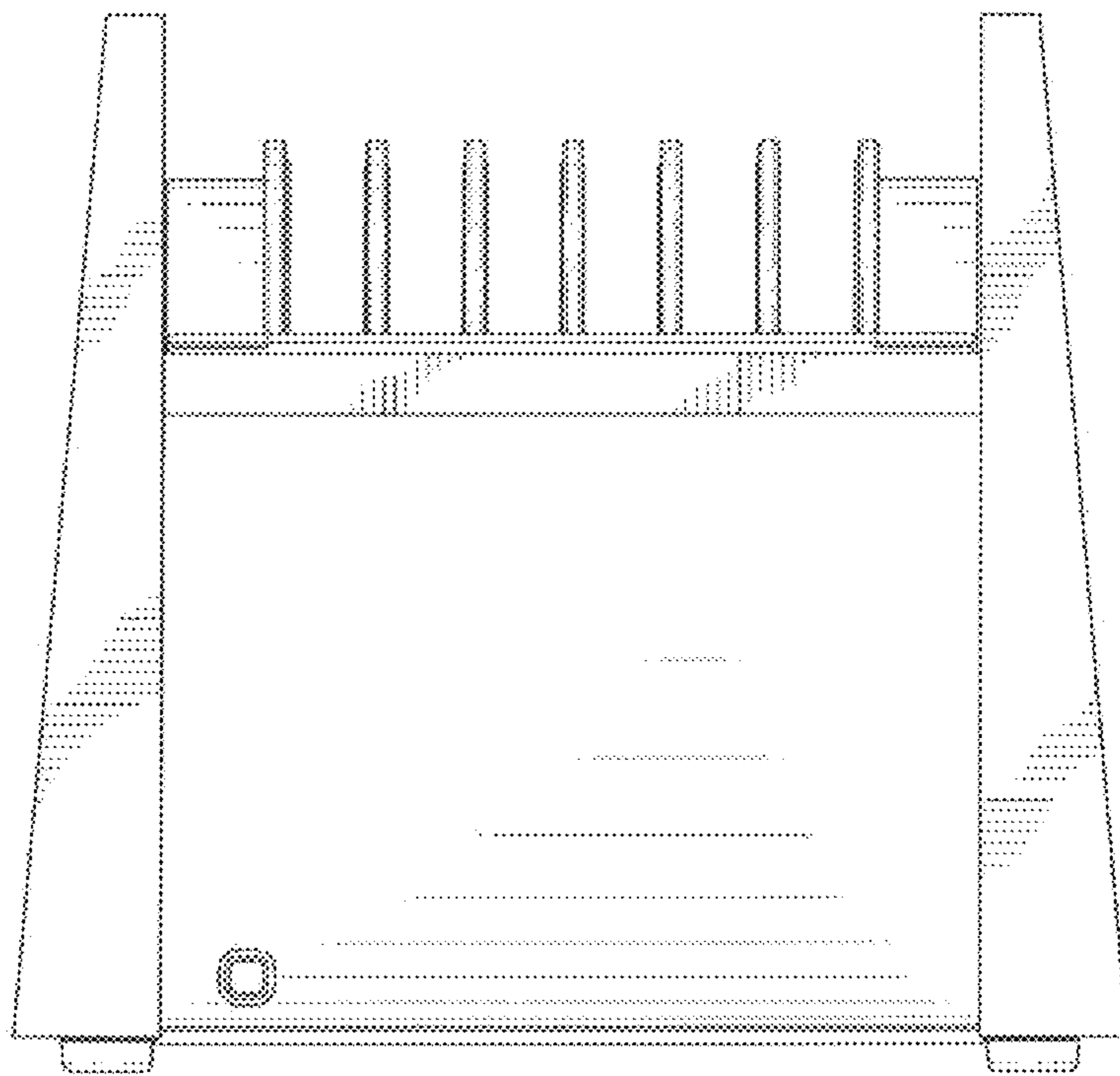


FIG. 11

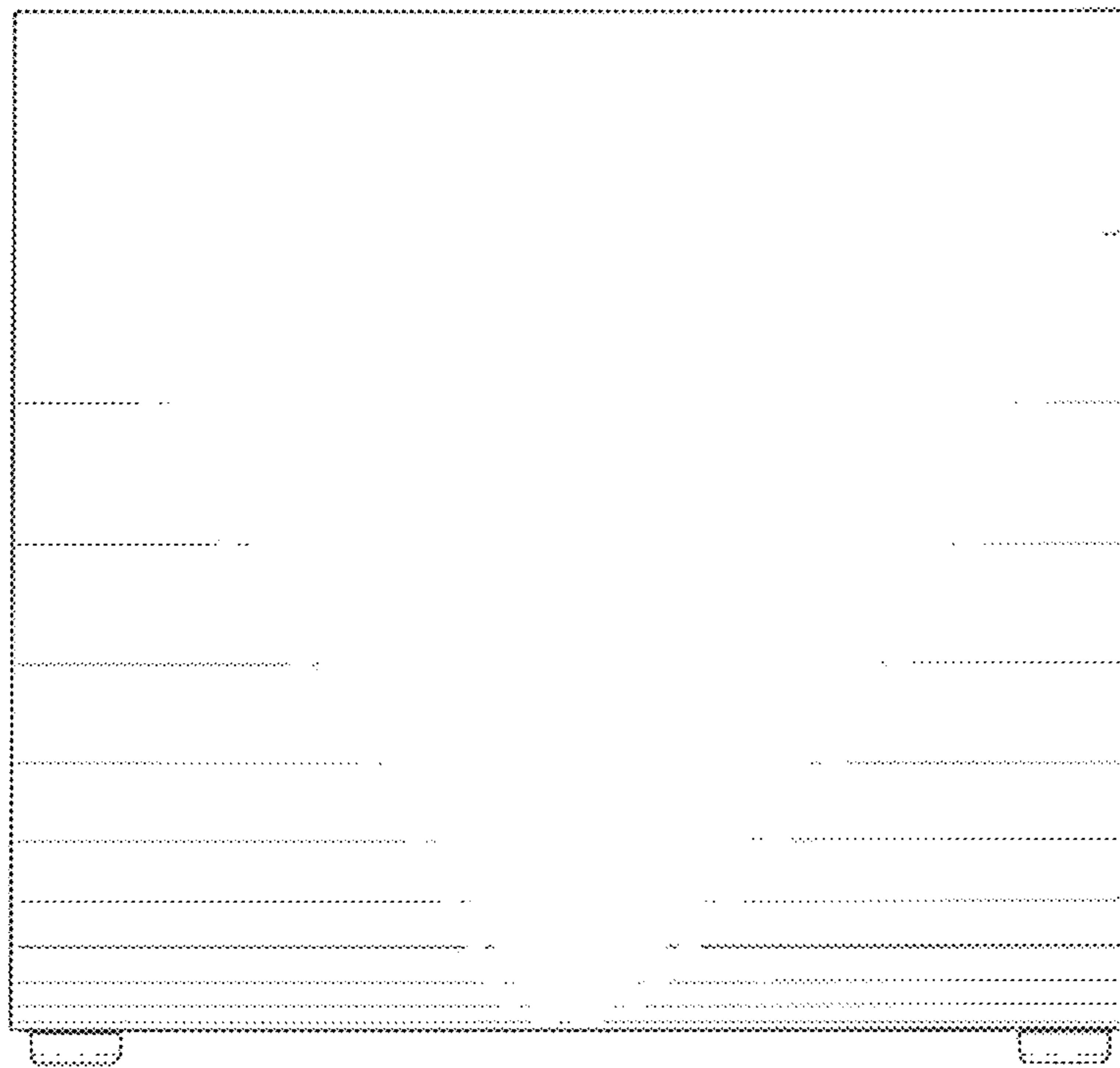


FIG. 12

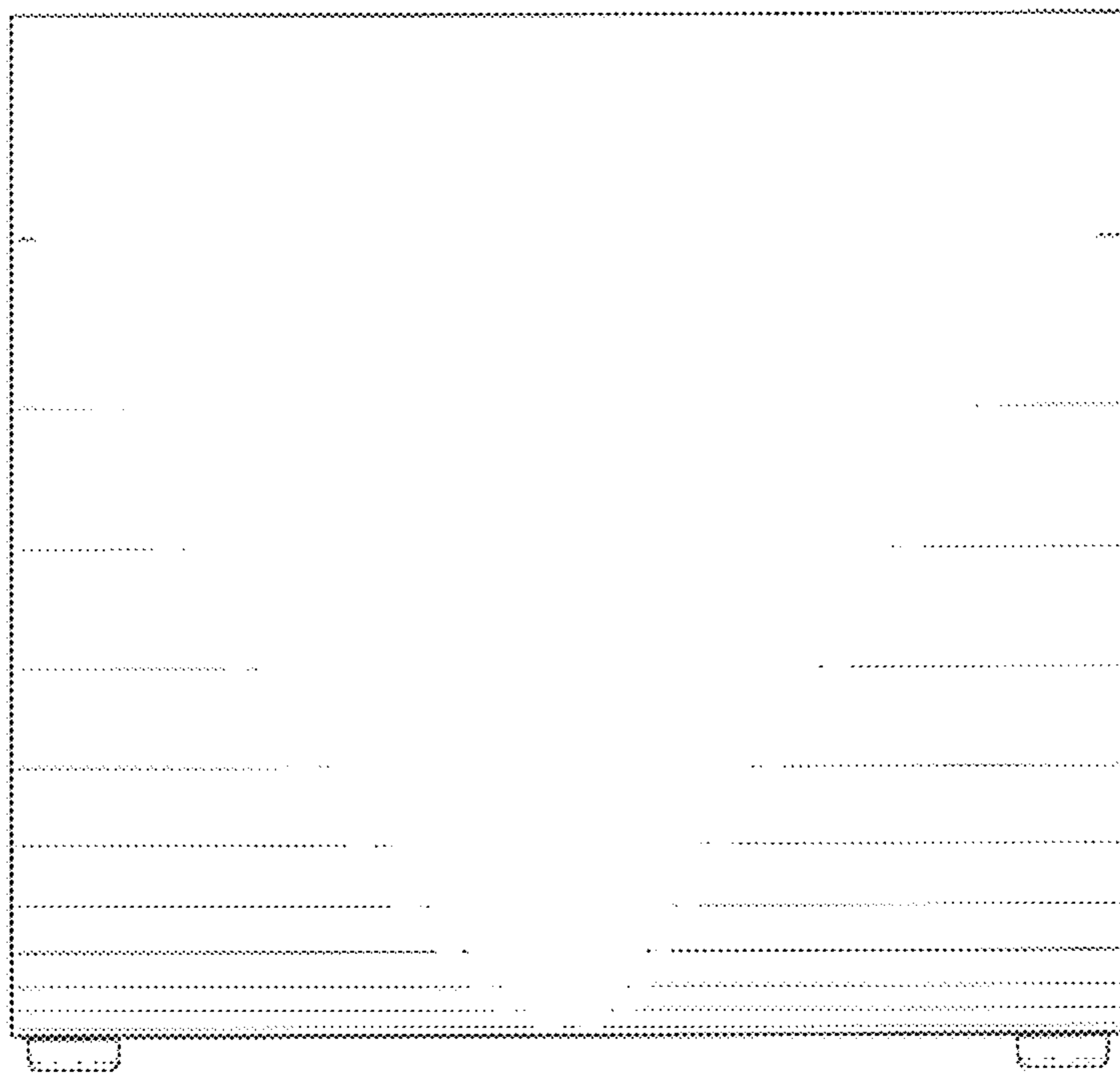


FIG. 13

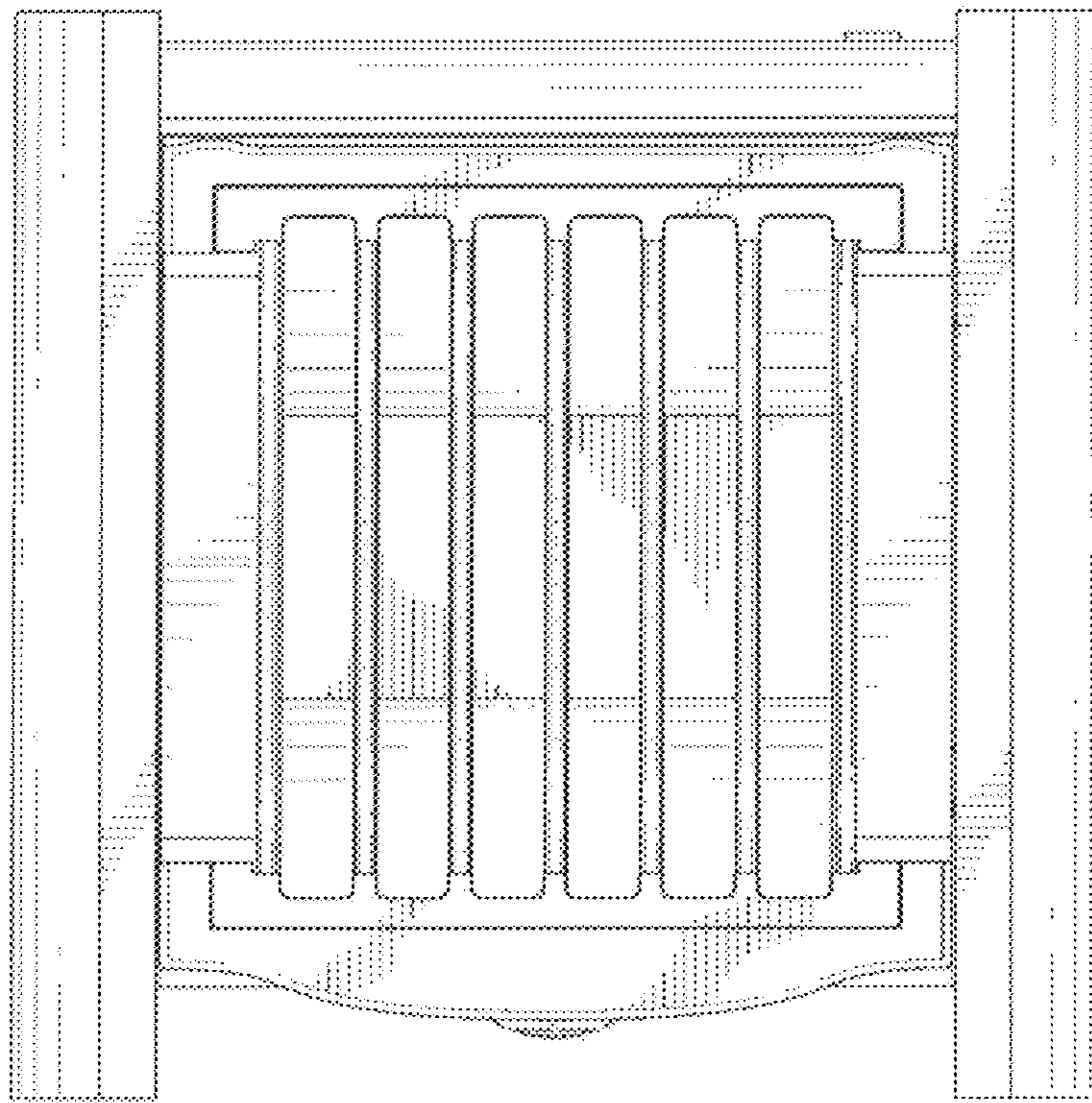


FIG. 14

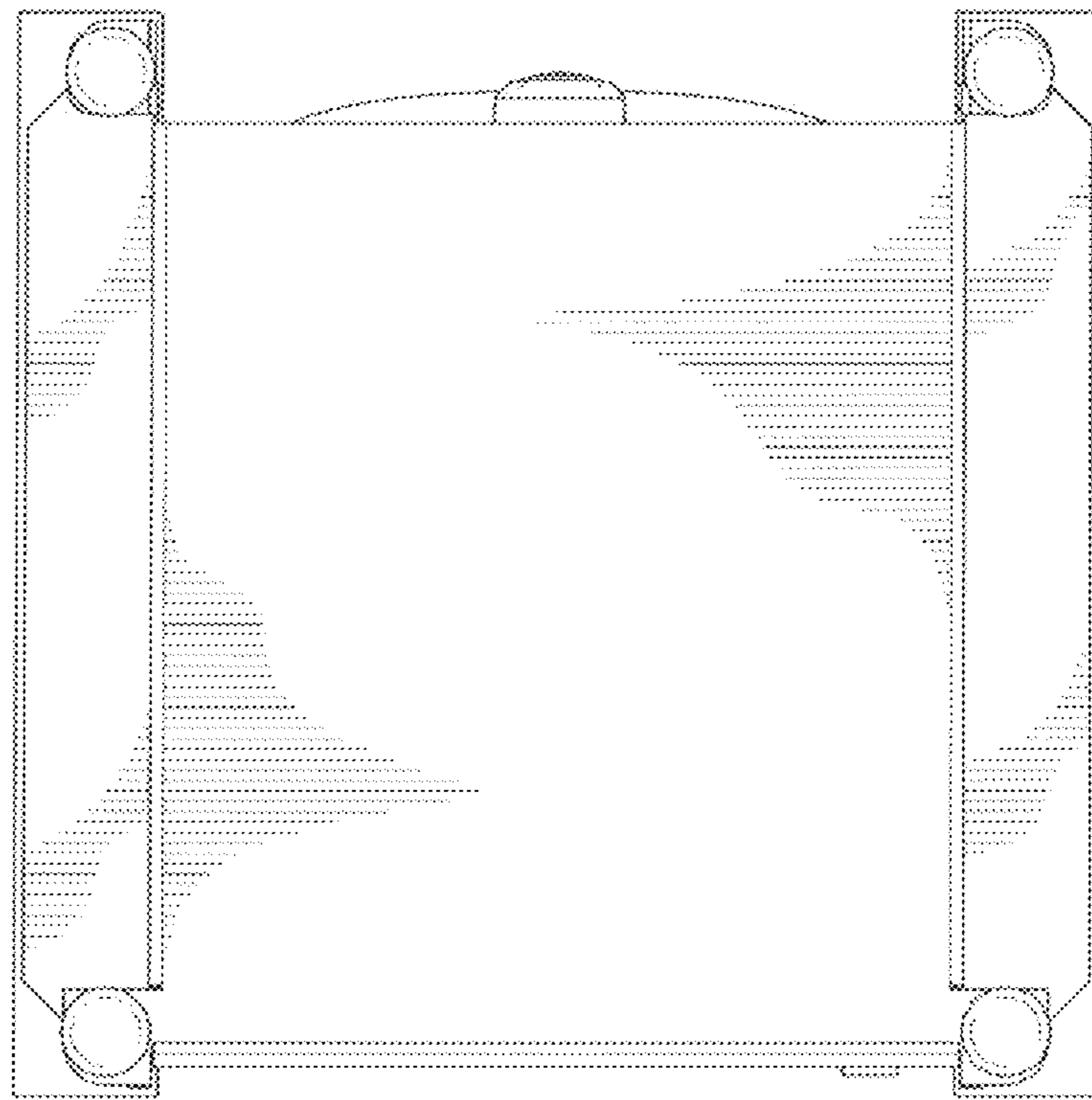


FIG. 15

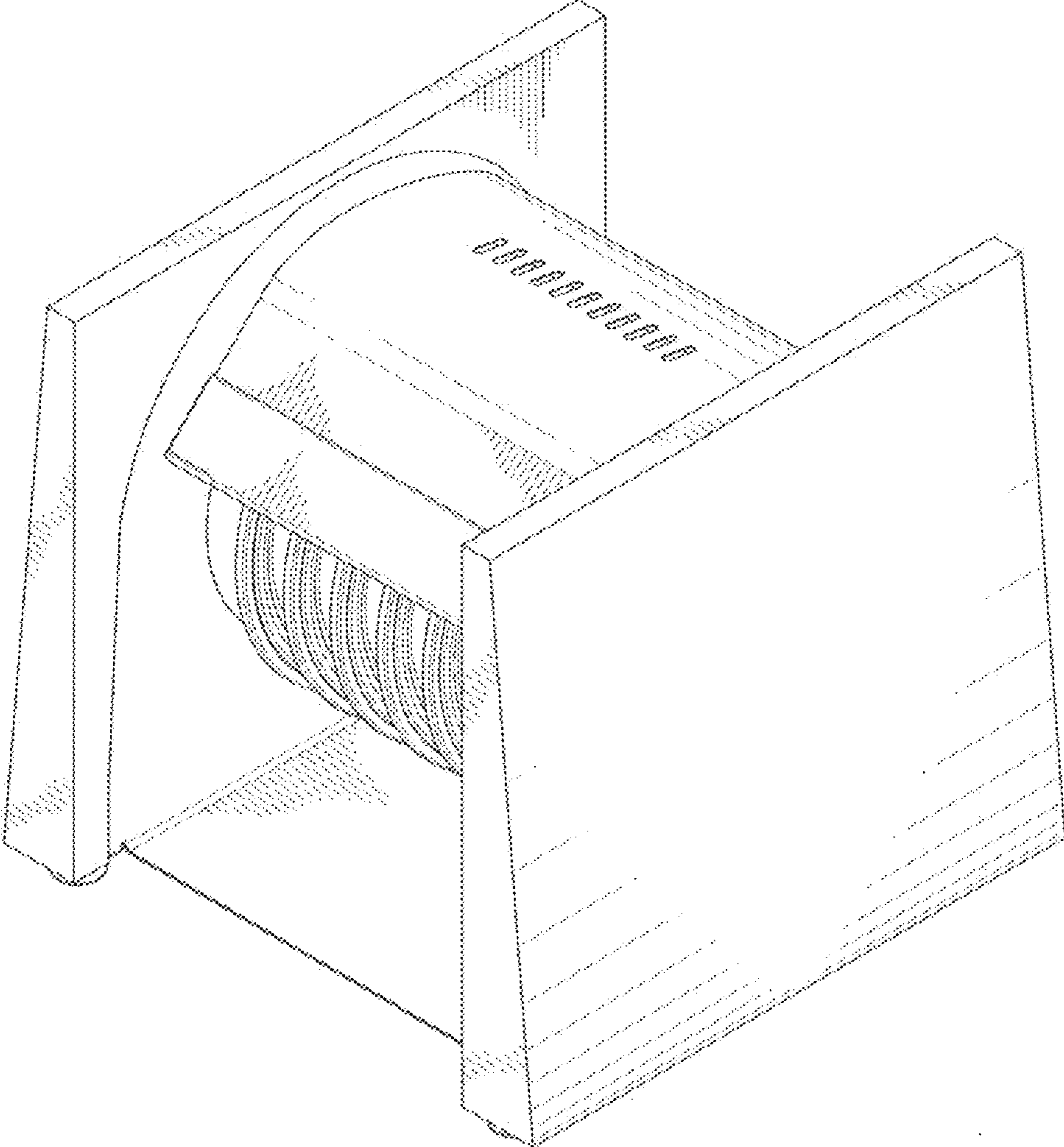


FIG. 16

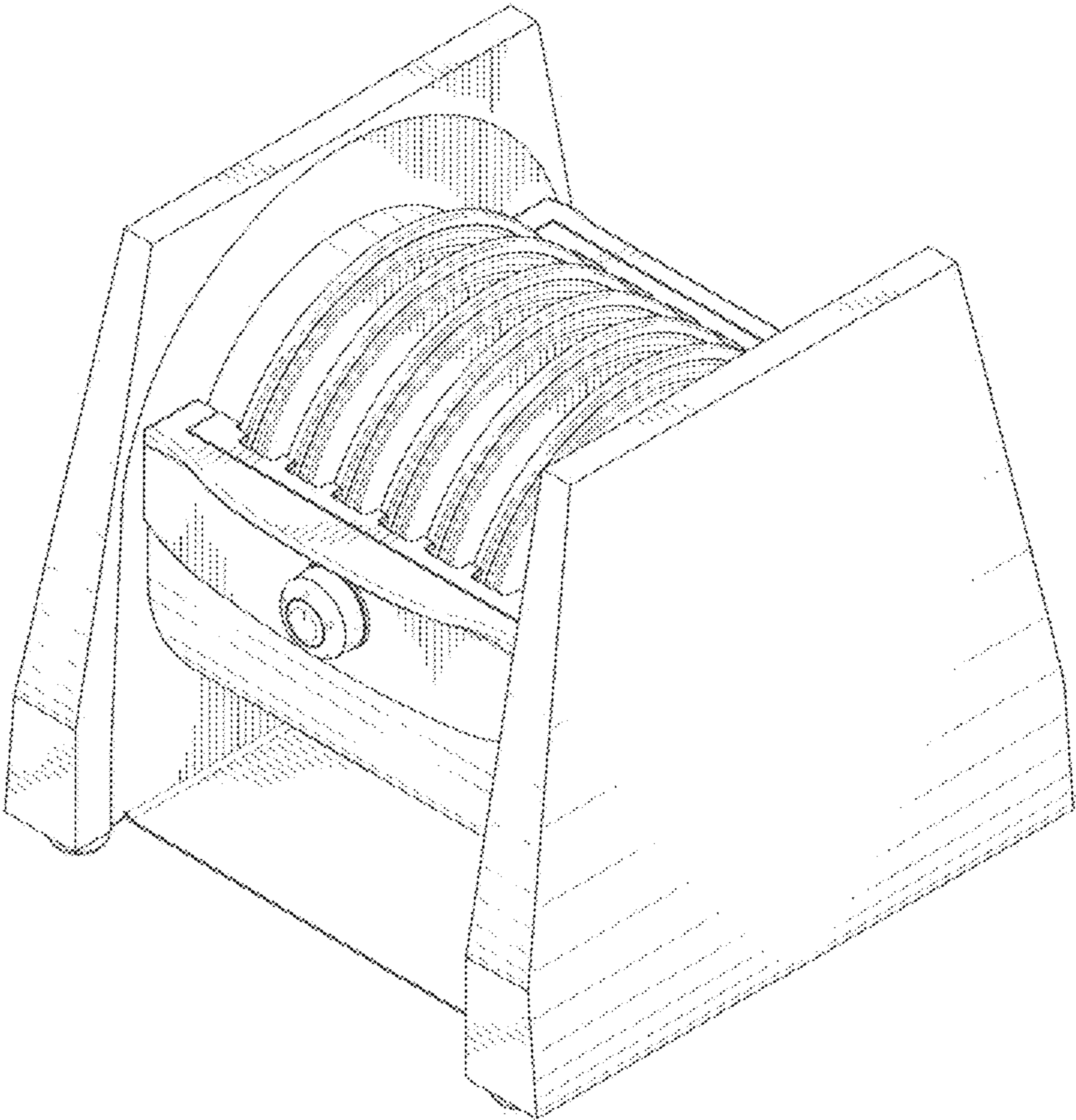


FIG. 17

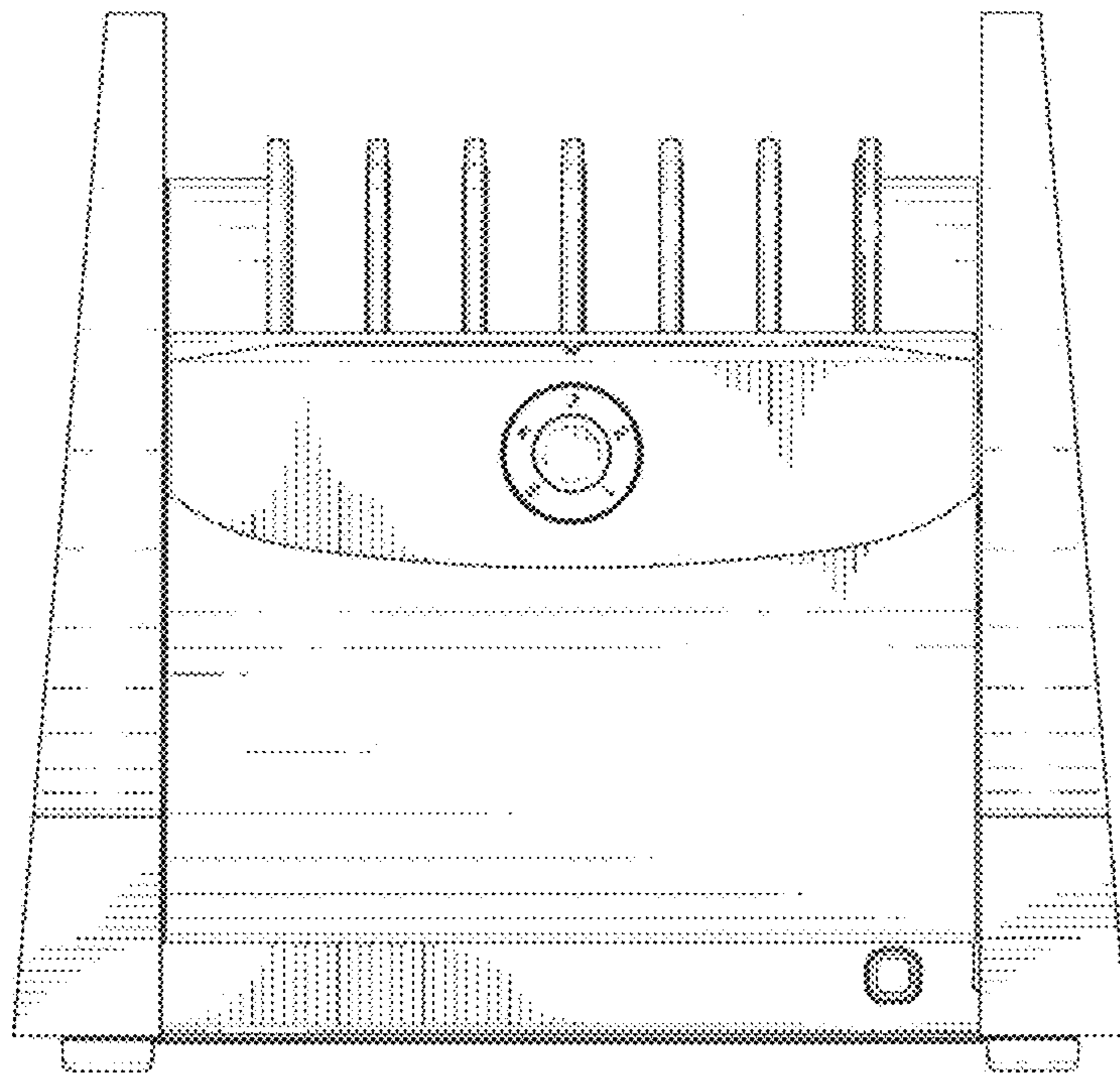


FIG. 18

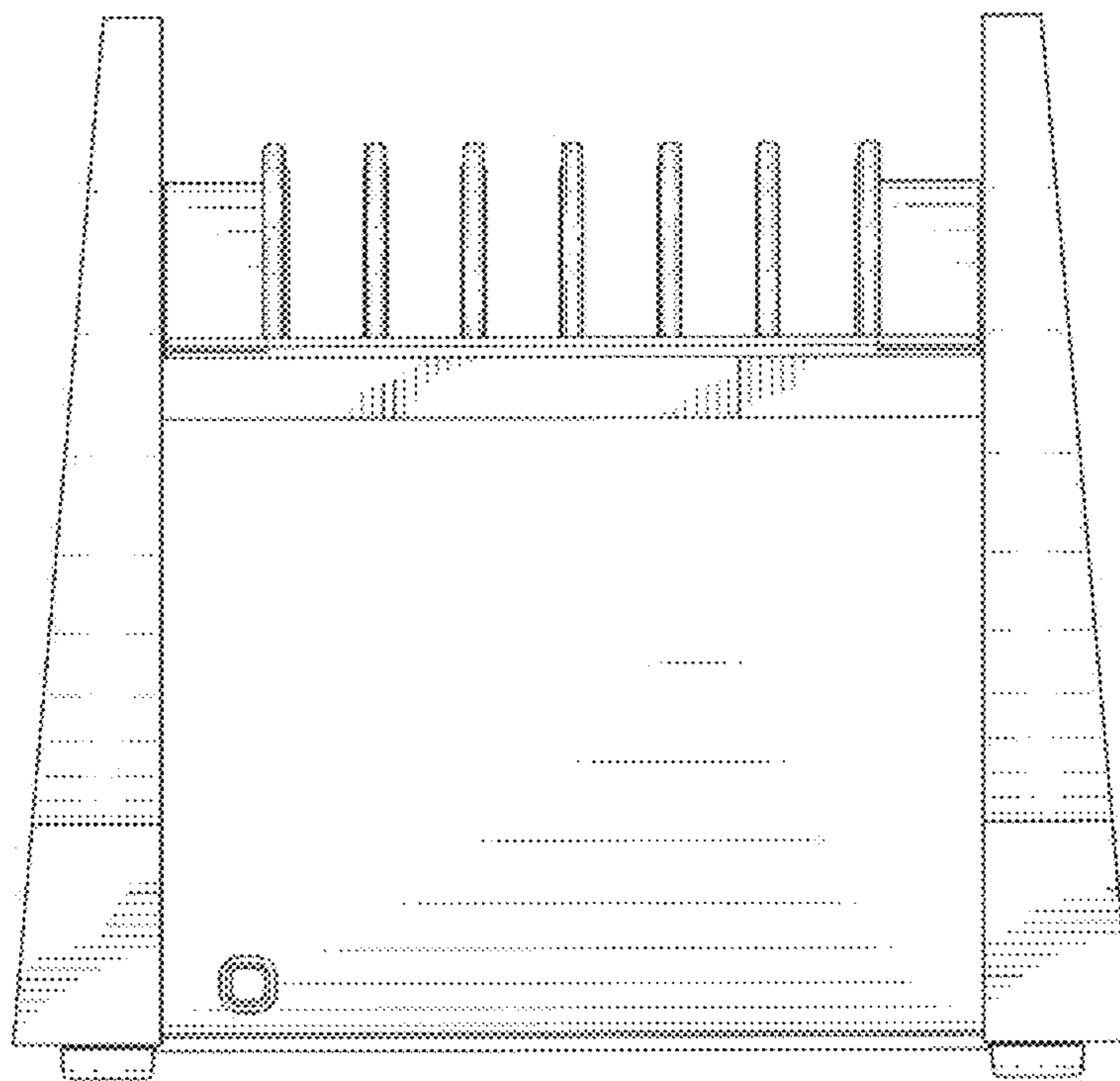


FIG. 19

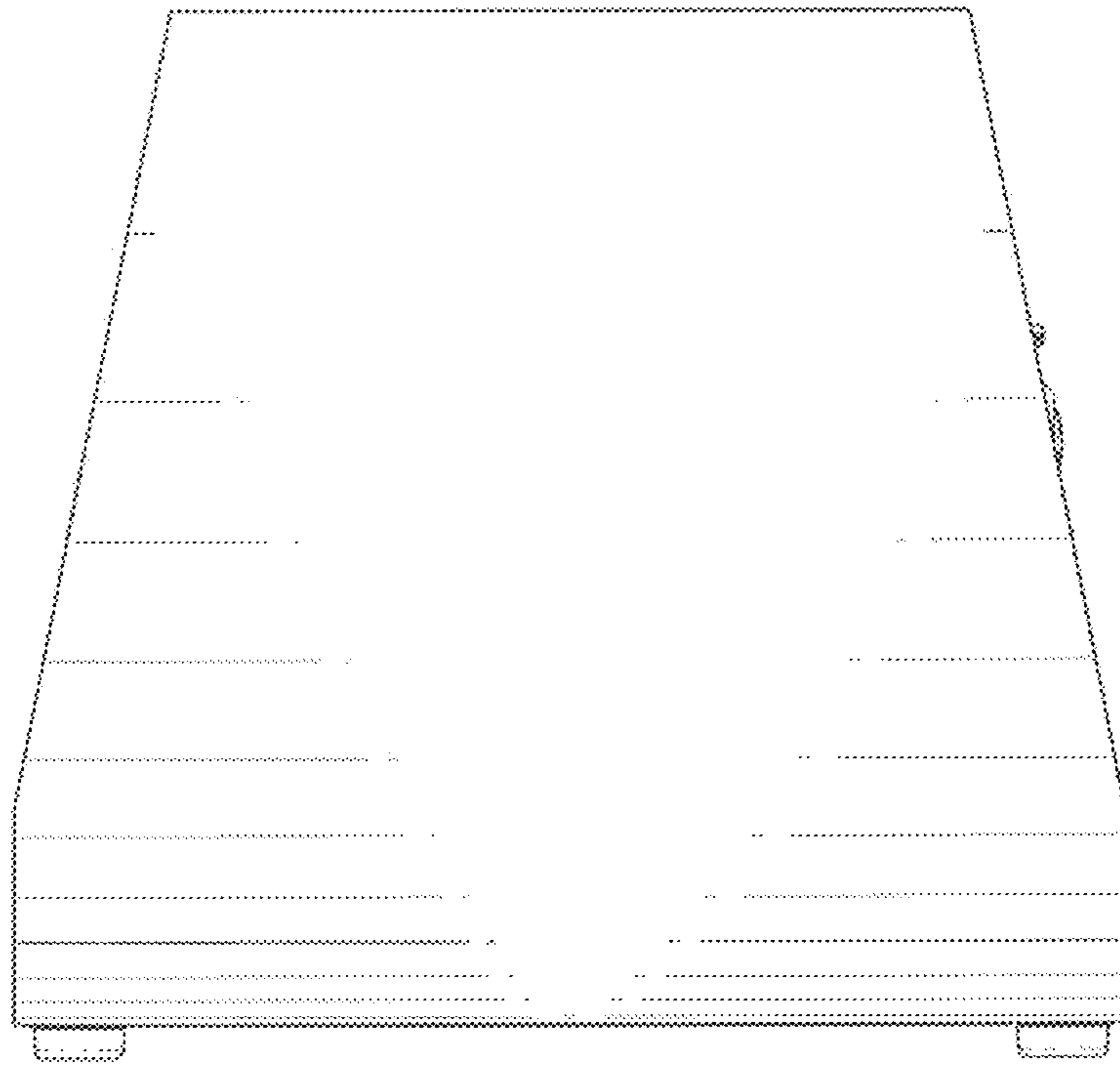


FIG. 20

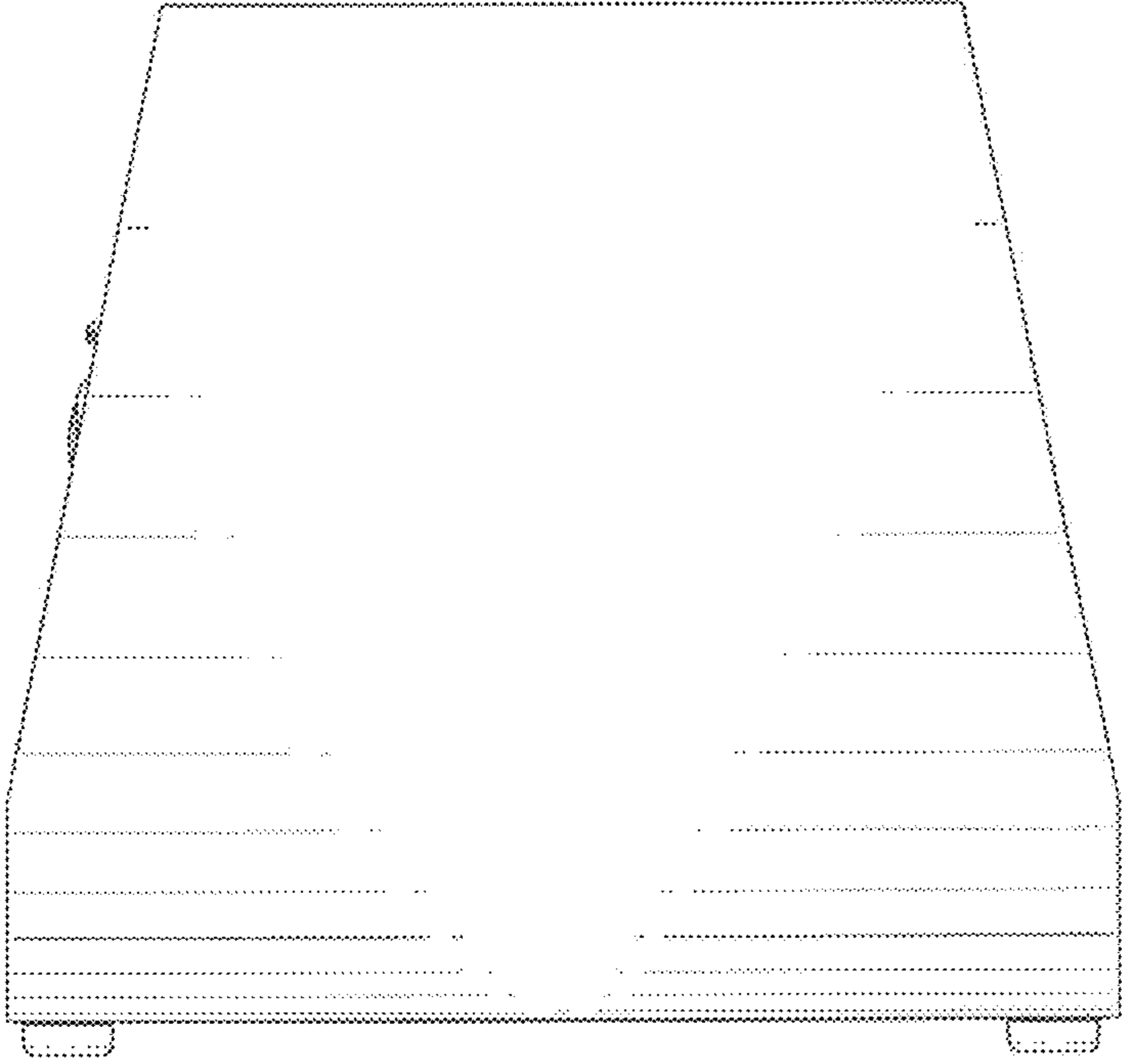


FIG.21

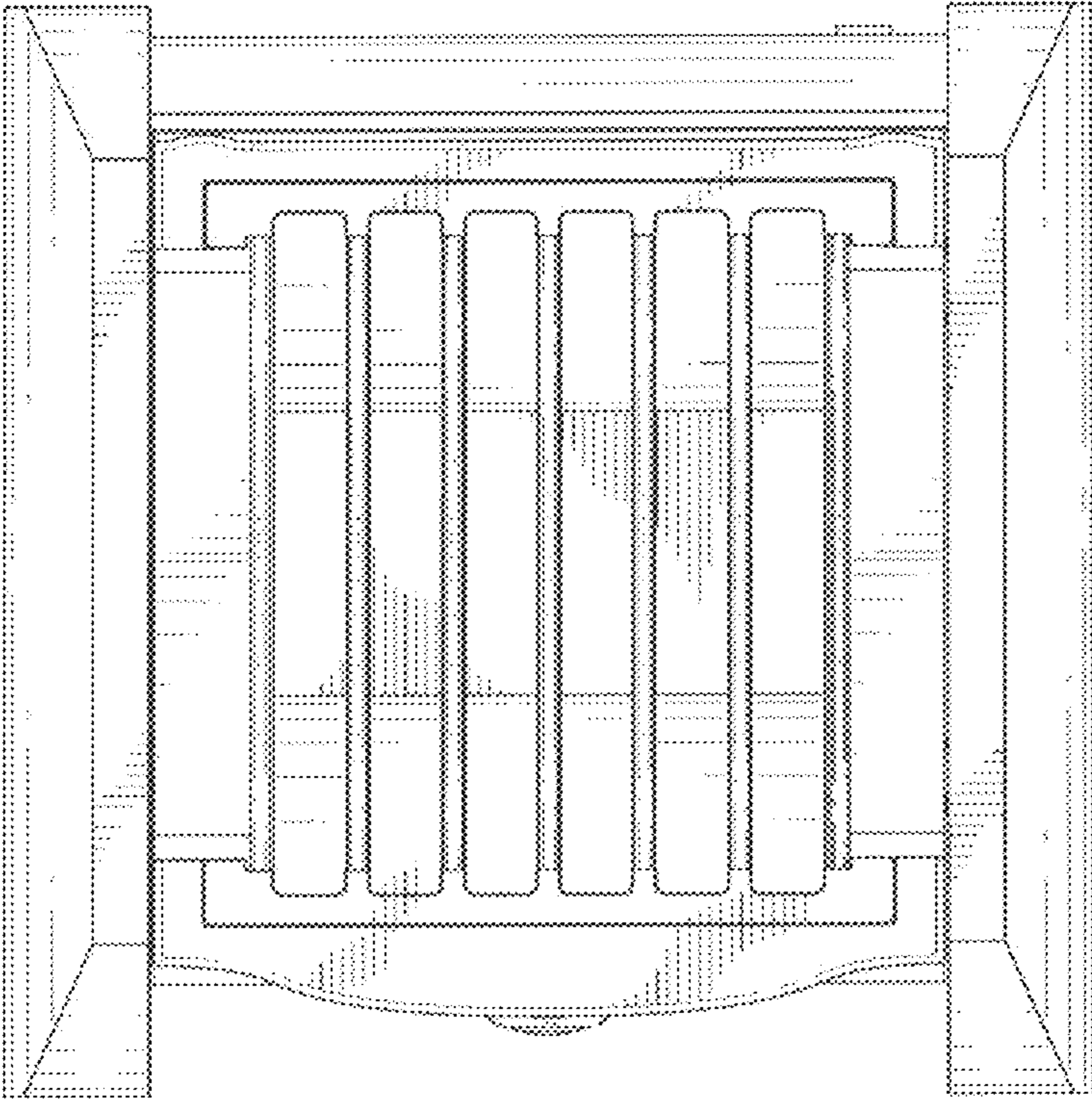


FIG. 22

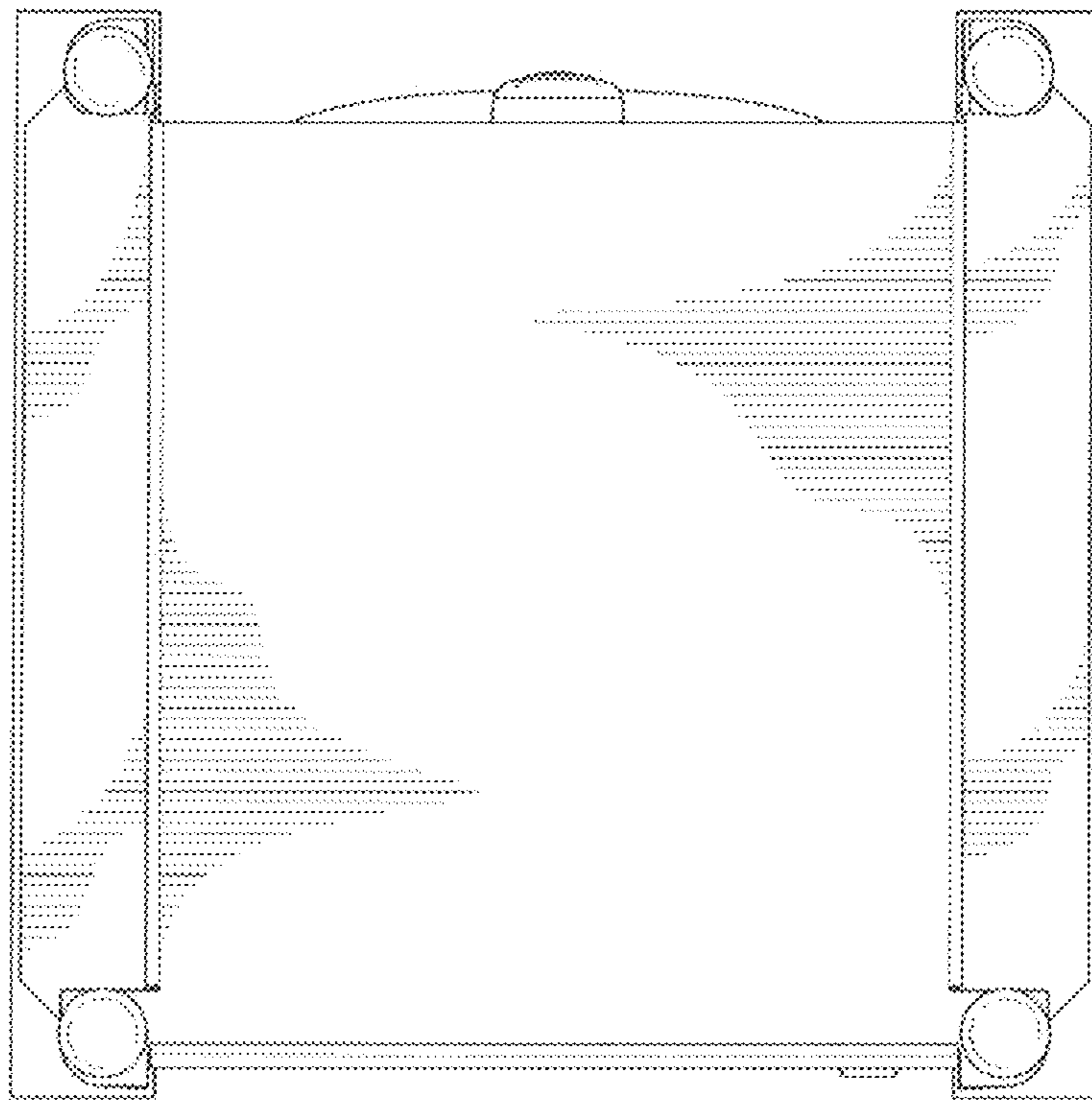


FIG. 23

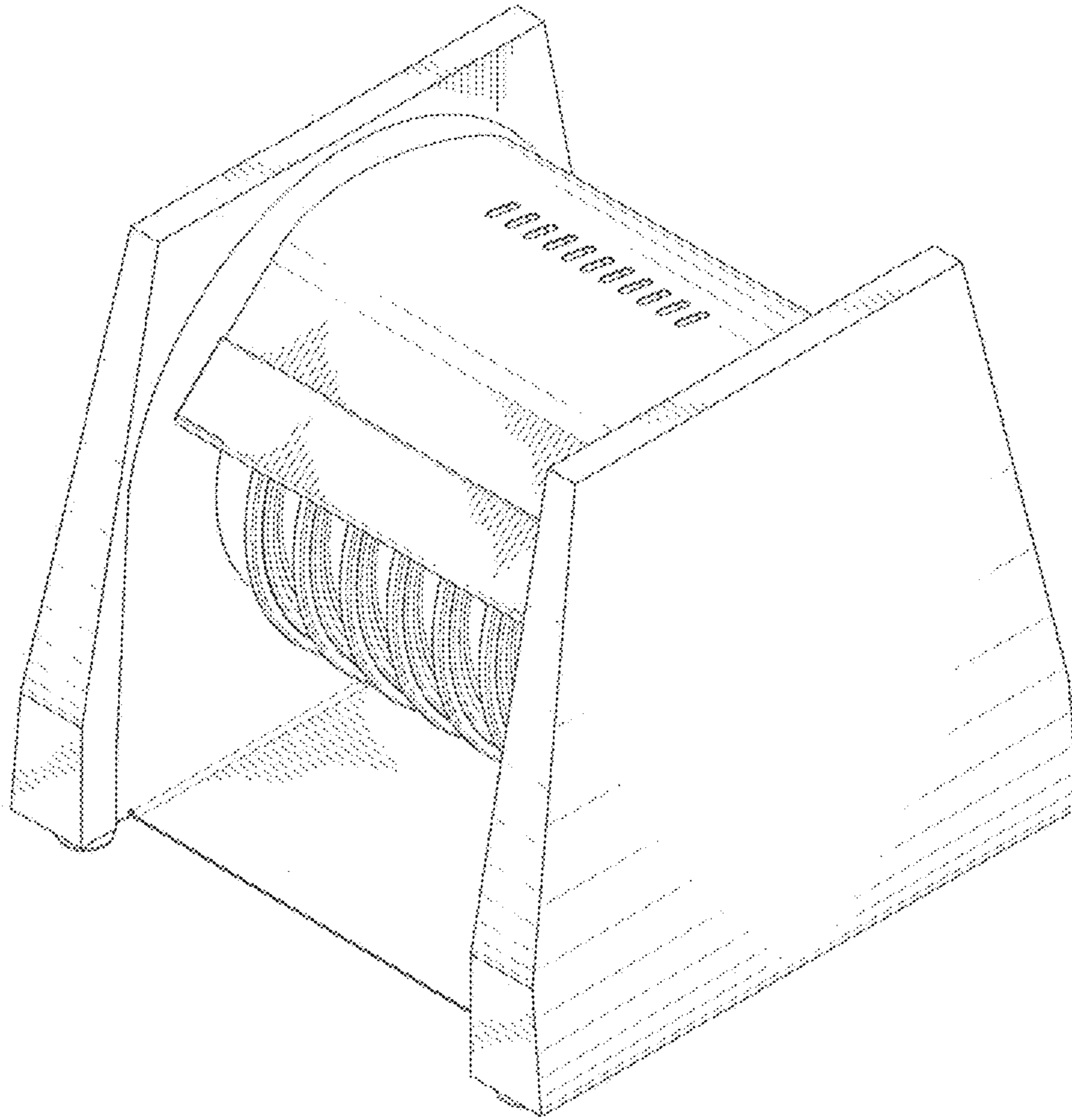


FIG.24