



US00D839035S

(12) **United States Design Patent**  
**Tsai**

(10) **Patent No.:** **US D839,035 S**

(45) **Date of Patent:** **\*\* Jan. 29, 2019**

(54) **CHAIR BACK FRAME**

(71) Applicant: **Hsuan-Chin Tsai**, Chai-Yi Hsien (TW)

(72) Inventor: **Hsuan-Chin Tsai**, Chai-Yi Hsien (TW)

(\*\*) Term: **15 Years**

(21) Appl. No.: **29/627,358**

(22) Filed: **Nov. 27, 2017**

(51) **LOC (11) Cl.** ..... **06-01**

(52) **U.S. Cl.**

USPC ..... **D6/716.4**; D6/366

(58) **Field of Classification Search**

USPC ..... D6/334-336, 366, 367, 369, 379, 380,  
D6/716, 716.1, 716.2, 716.4

CPC .... A47C 7/16; A47C 7/40; A47C 7/46; A47C  
7/022; A47C 7/282; A47C 7/285

See application file for complete search history.

(56) **References Cited**

**U.S. PATENT DOCUMENTS**

D558,994 S \* 1/2008 Machael ..... D6/366  
D579,695 S \* 11/2008 Wu ..... D6/716  
D580,198 S \* 11/2008 Wu ..... D6/366

8,251,448 B2 \* 8/2012 Machael ..... A47C 7/46  
297/299

D687,660 S \* 8/2013 Hsuan-Chin ..... D6/366

D714,069 S \* 9/2014 Cvek ..... D6/366

D714,070 S \* 9/2014 Cvek ..... D6/366

D745,300 S \* 12/2015 Cvek ..... D6/716

D782,239 S \* 3/2017 Tsai ..... D6/716.4

D793,143 S \* 8/2017 Tsai ..... D6/716.4

\* cited by examiner

*Primary Examiner* — Mimosa De

(74) *Attorney, Agent, or Firm* — Alan D. Kamrath;  
Kamrath IP Lawfirm, P.A.

(57) **CLAIM**

The ornamental design for a chair back frame, as shown and described.

**DESCRIPTION**

FIG. 1 is a perspective view of a chair back frame, showing my new design;

FIG. 2 is a front elevational view thereof;

FIG. 3 is a rear elevational view thereof;

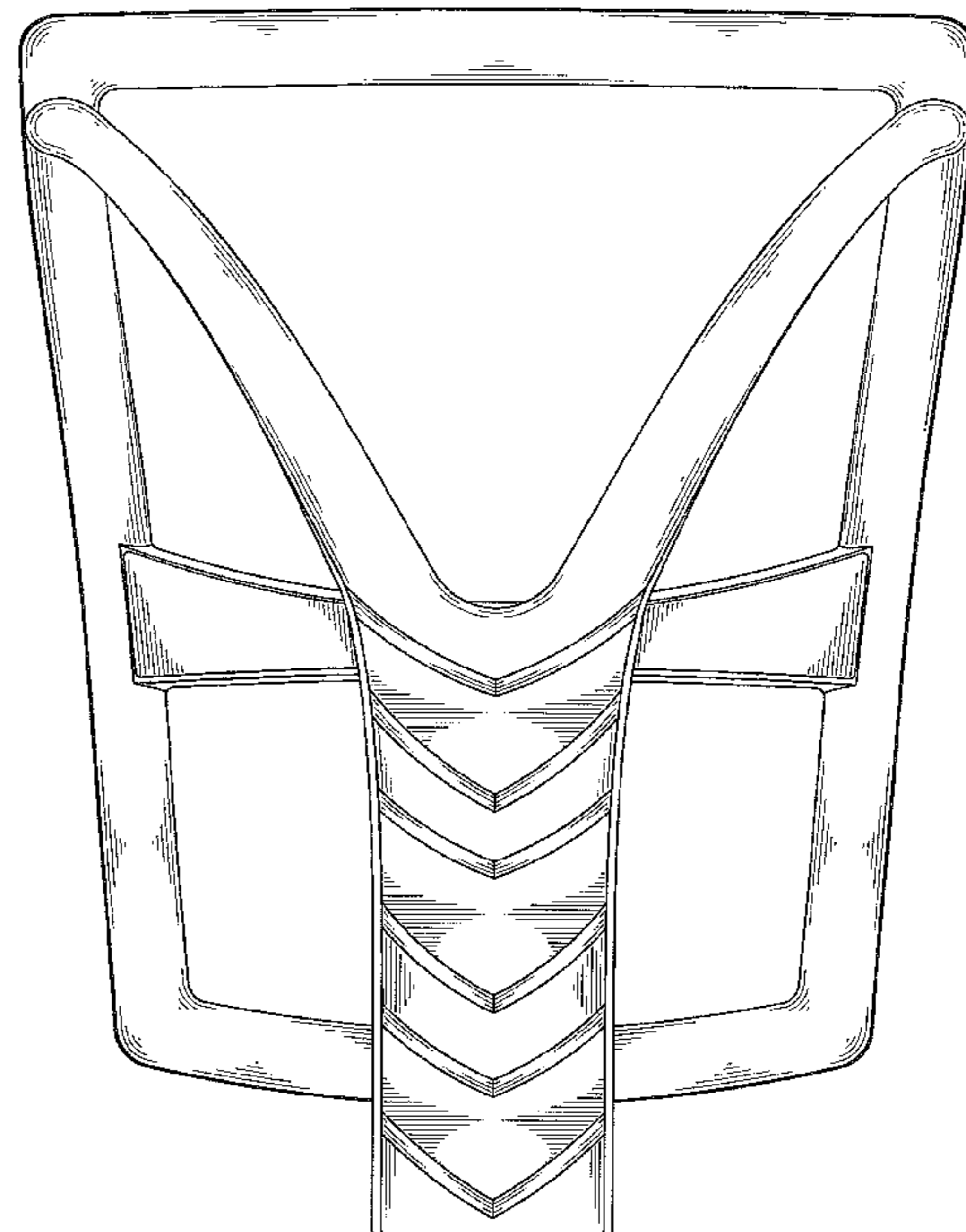
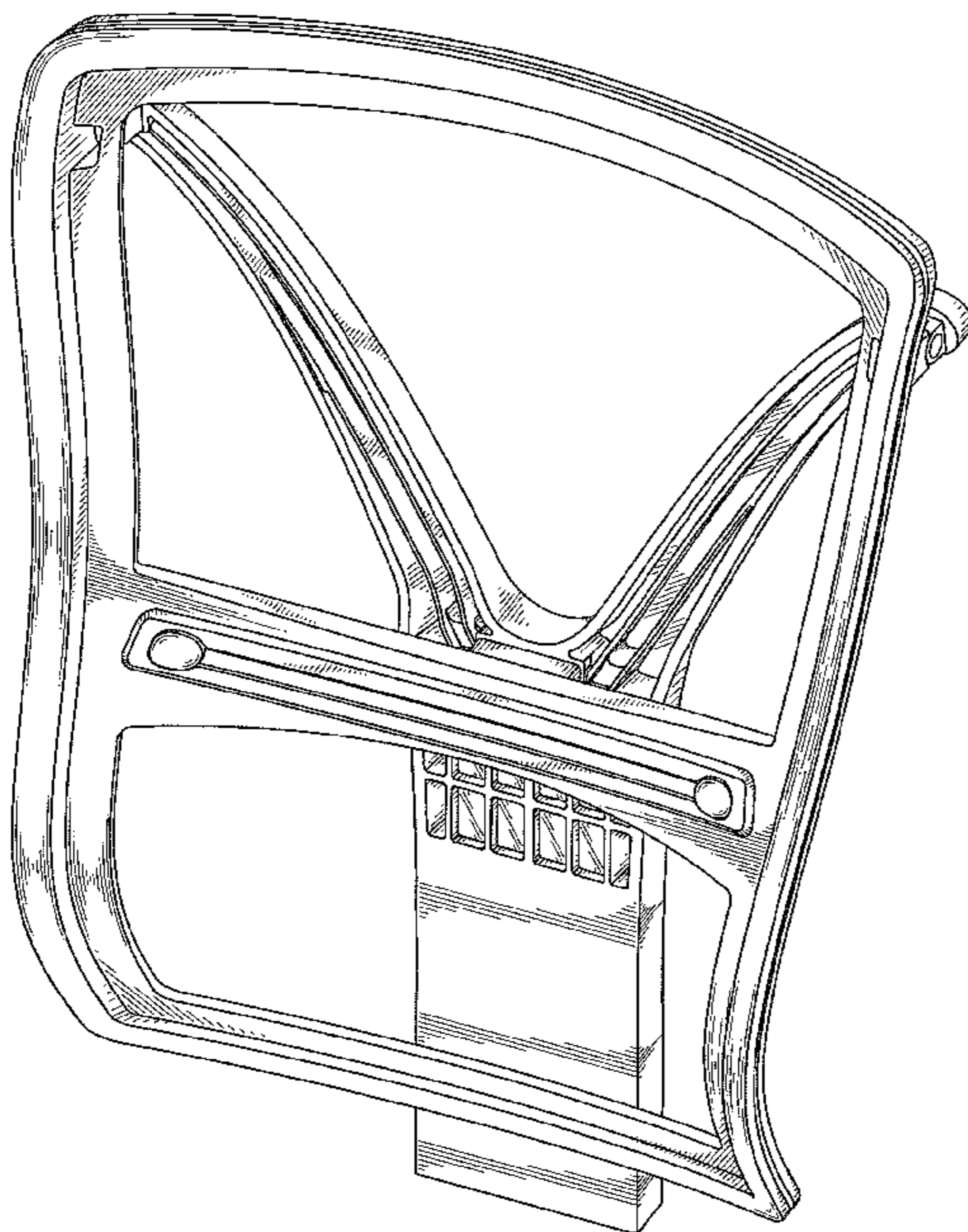
FIG. 4 is a left side view thereof;

FIG. 5 is a right side view thereof;

FIG. 6 is a top plan view thereof; and,

FIG. 7 is a bottom plan view thereof.

**1 Claim, 5 Drawing Sheets**



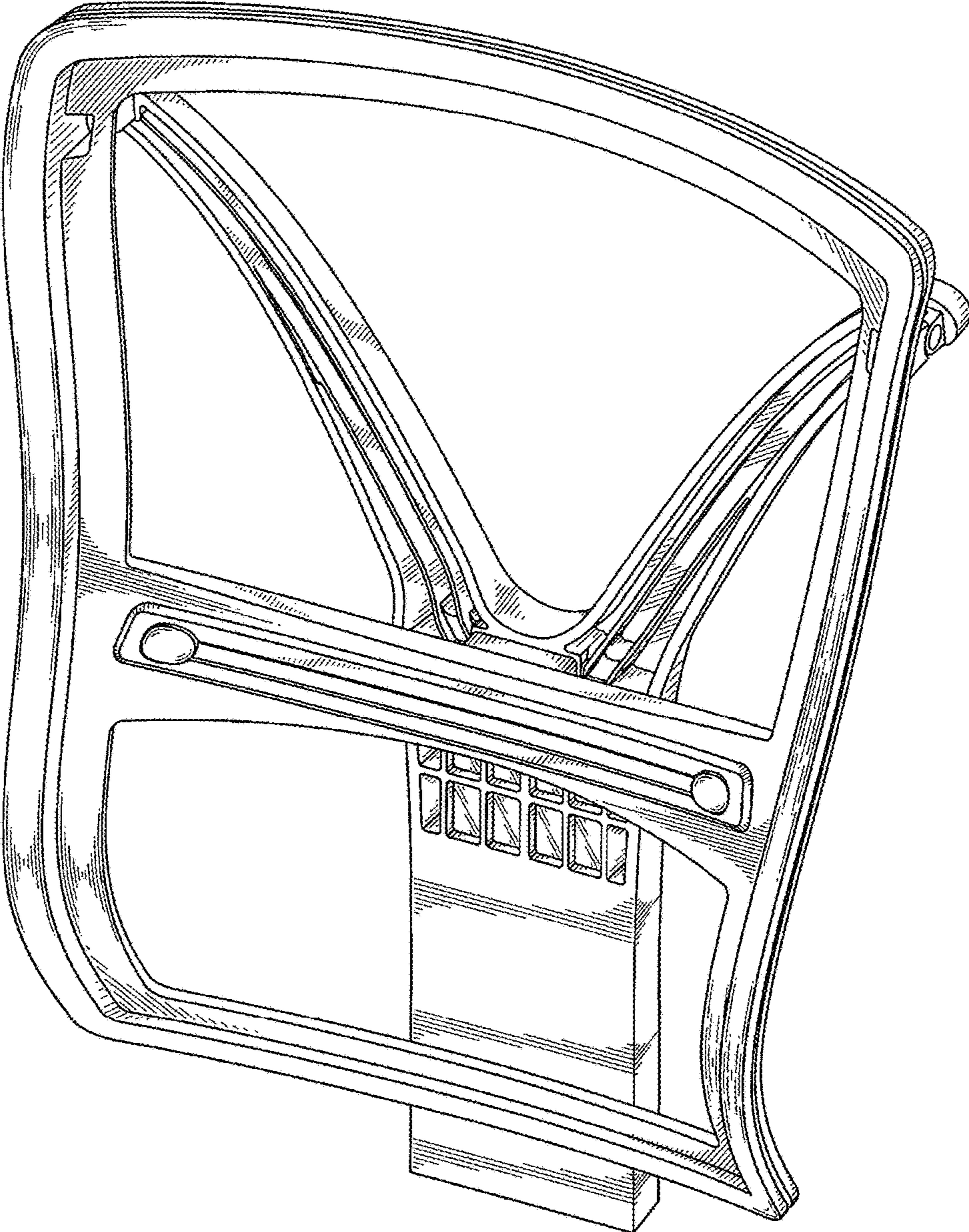


FIG. 1

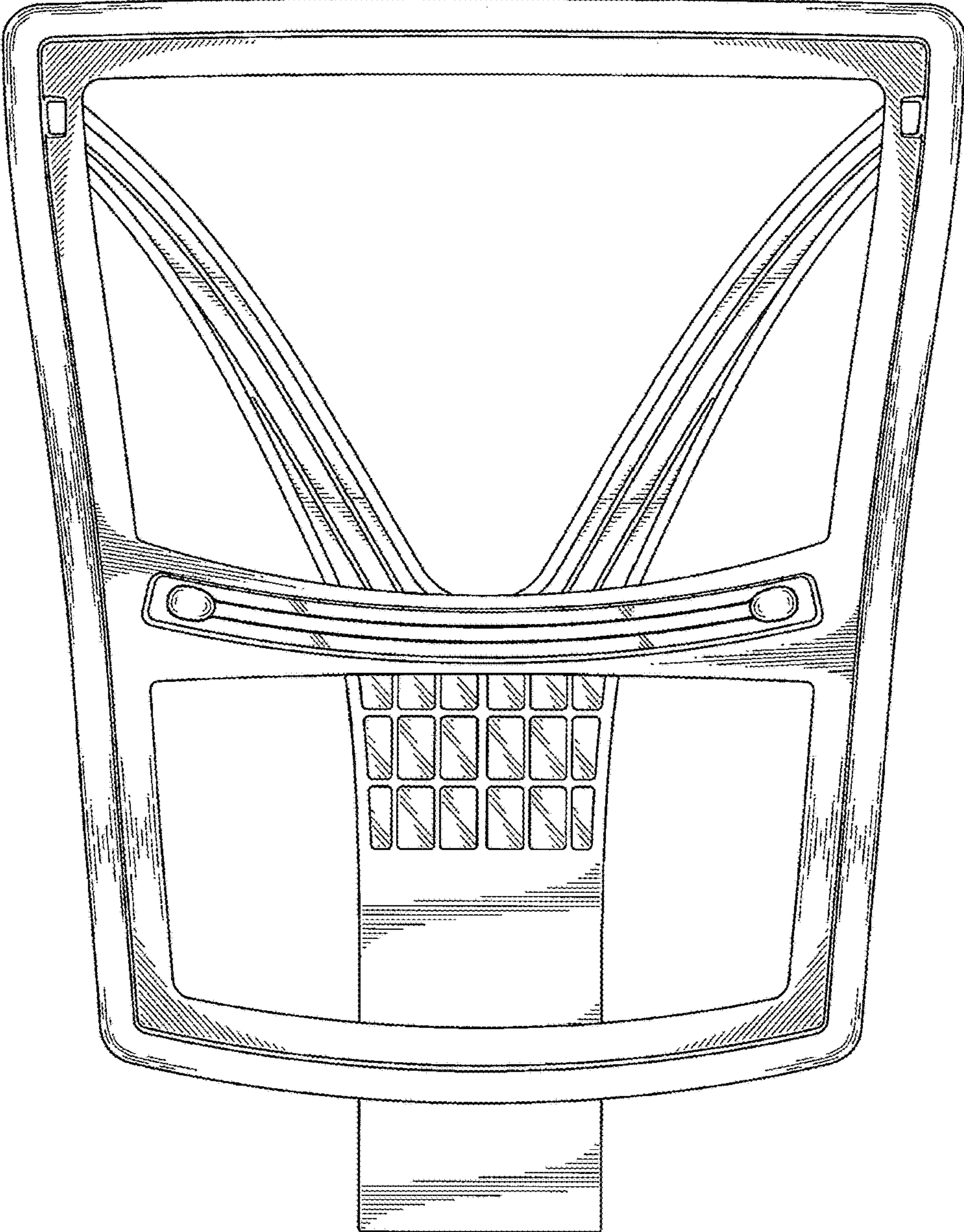


FIG. 2

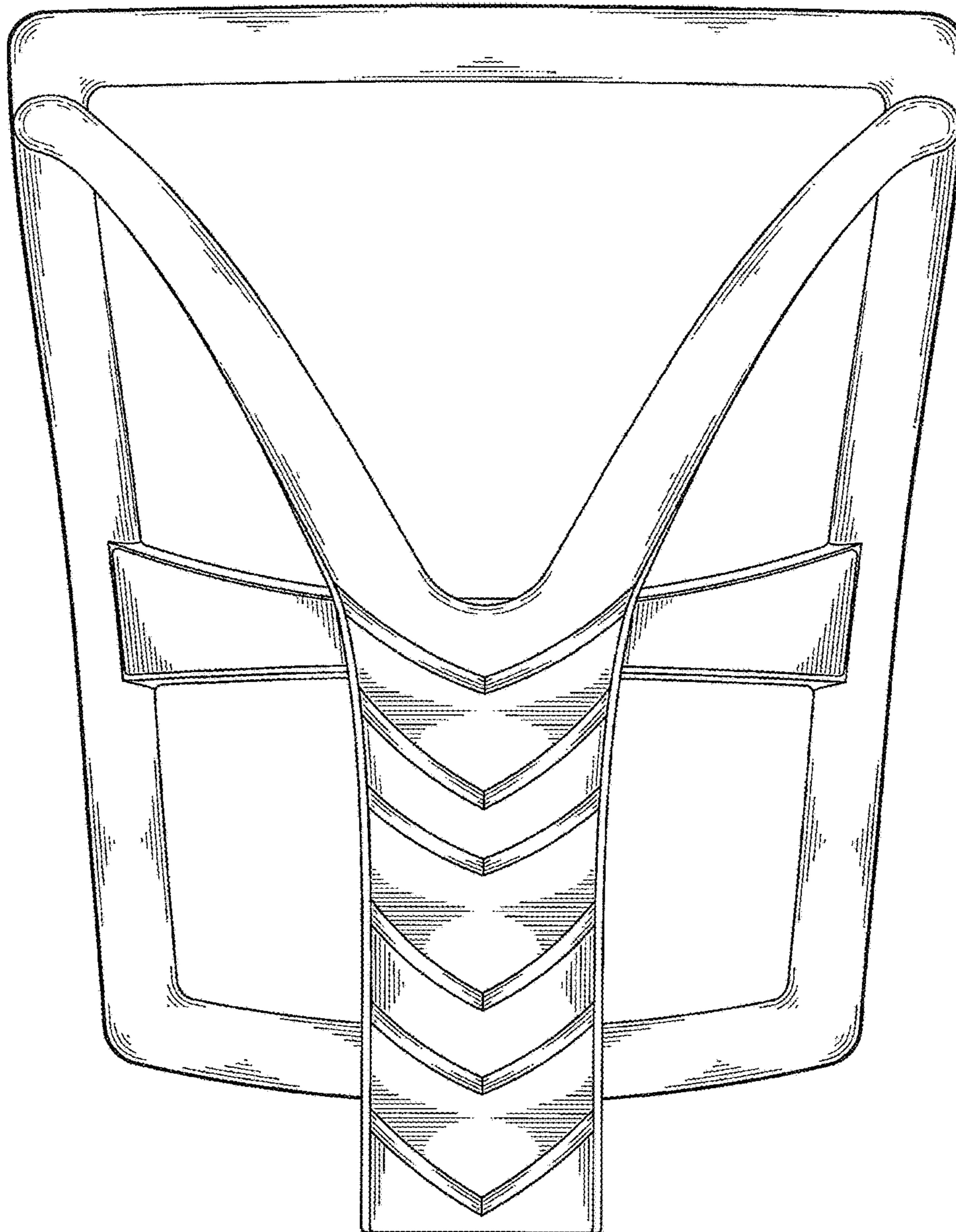


FIG. 3

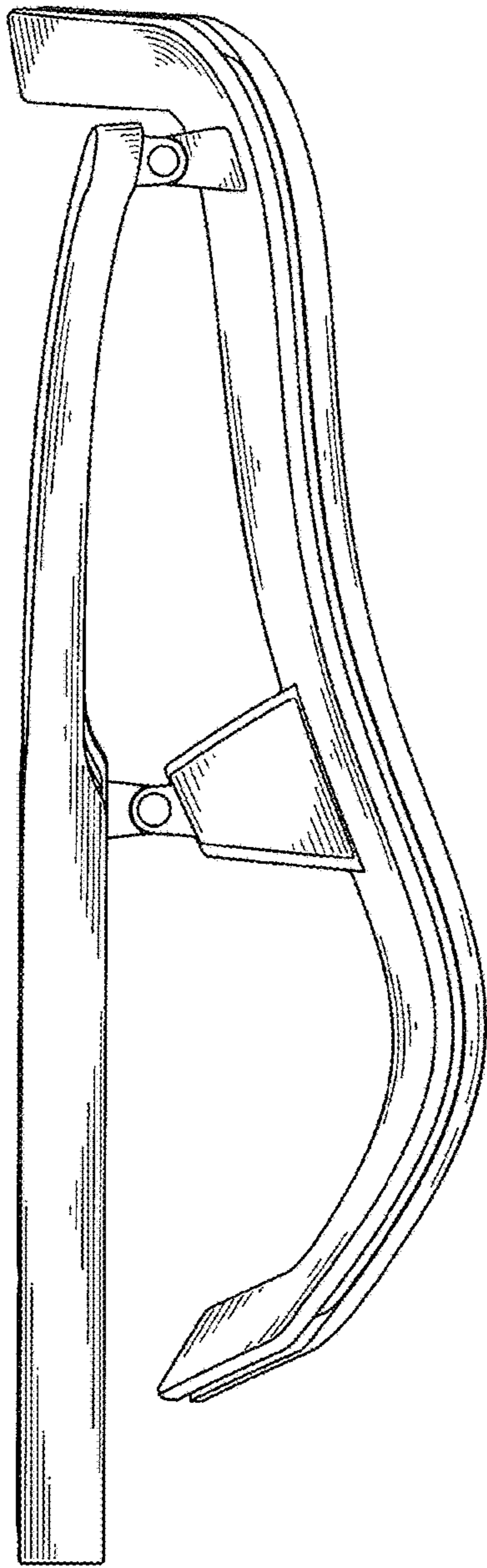


FIG. 4

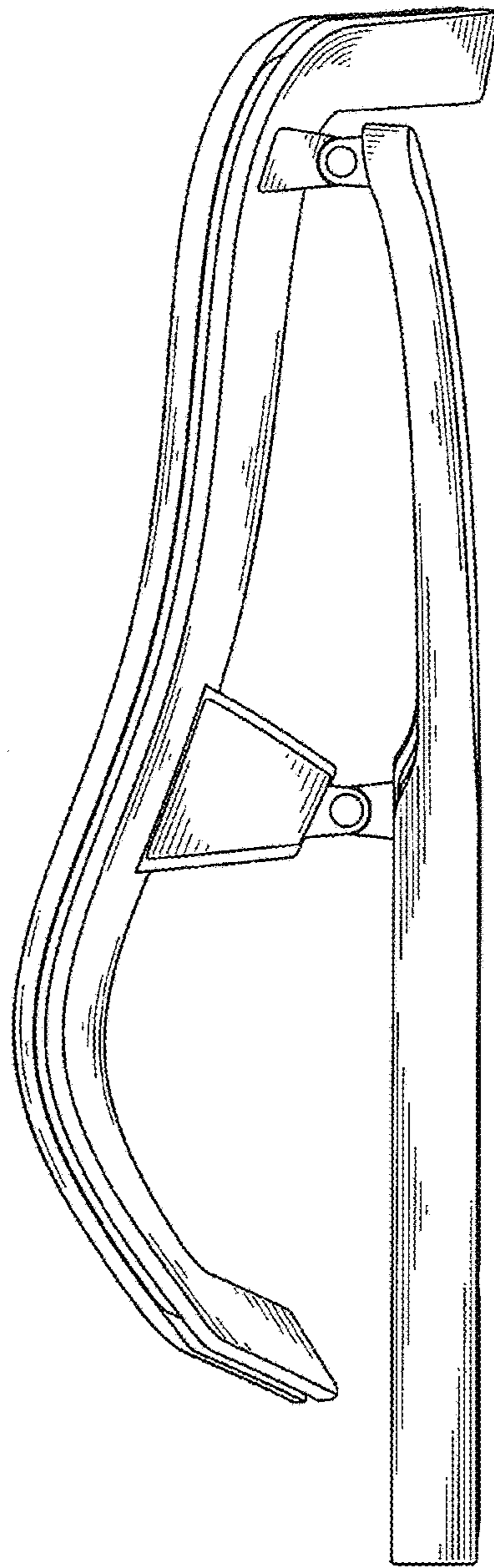


FIG. 5

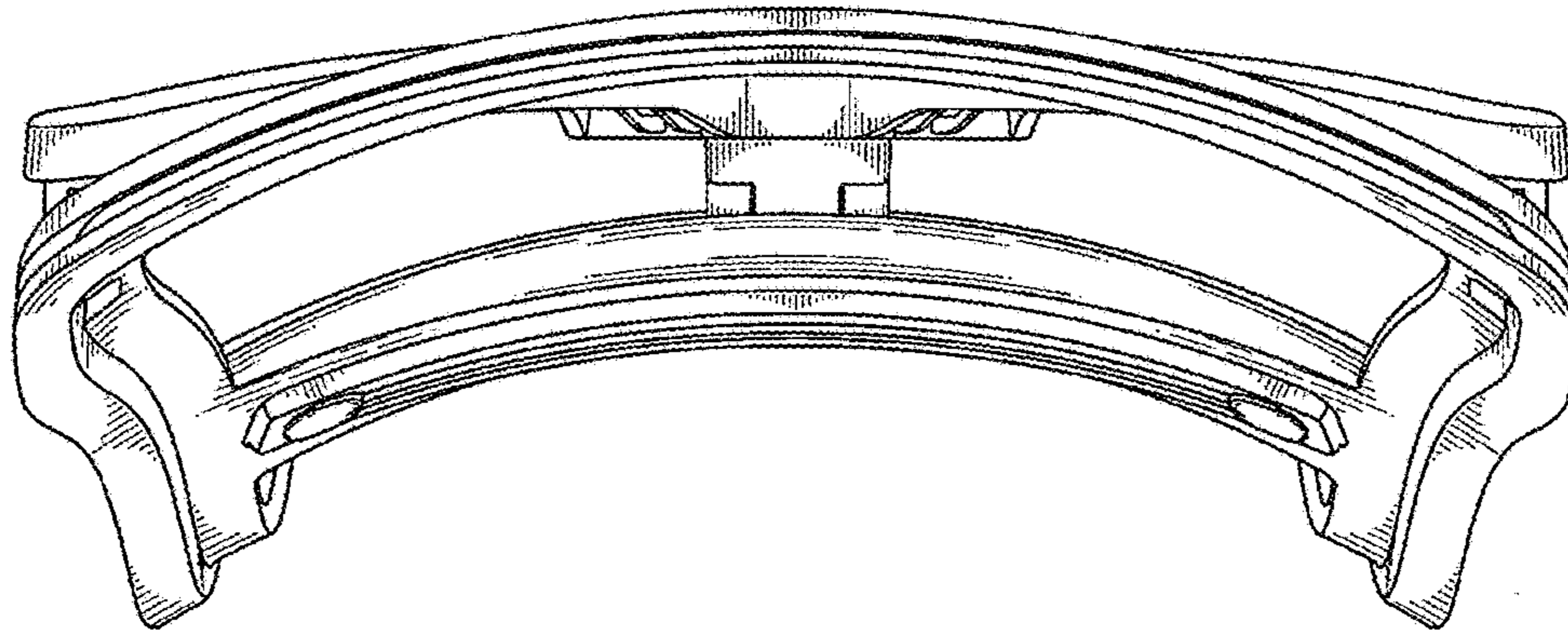


FIG. 6

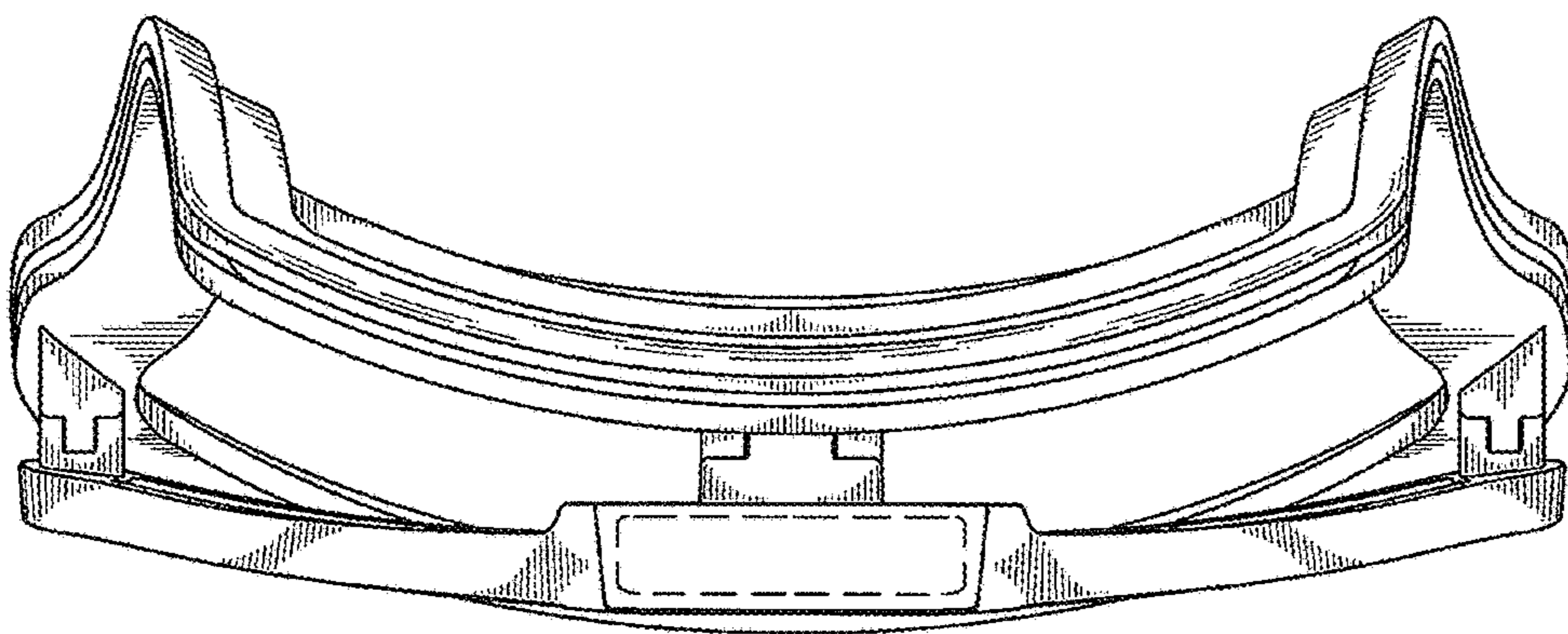


FIG. 7