



US00D839034S

(12) **United States Design Patent** (10) **Patent No.:** **US D839,034 S**
Woods (45) **Date of Patent:** **** Jan. 29, 2019**

(54) **FURNITURE SPINE UNIT**
(71) Applicant: **Kimball International, Inc.**, Jasper, IN (US)
(72) Inventor: **Donald Woods**, Celestine, IN (US)
(73) Assignee: **Kimball International, Inc.**, Jasper, IN (US)
(**) Term: **15 Years**
(21) Appl. No.: **29/588,172**
(22) Filed: **Dec. 19, 2016**
(51) **LOC (11) Cl.** **06-01**
(52) **U.S. Cl.**
USPC **D6/716.4**; D6/334
(58) **Field of Classification Search**
USPC D6/329, 332, 334, 335, 336, 338, 342, D6/374, 643, 641, 642, 686, 691.4, 702, D6/713, 714, 716, 716.1, 716.4, 698, 381, D6/357, 378, 364, 337, 595, 601
CPC A47B 83/02; A47B 83/00; A47B 83/001; A47B 83/003; A47B 83/005; A47B 87/00; A47C 13/00; A47C 13/005; A47C 7/62; A47C 7/70; A47C 7/36; A47C 7/38; A47C 7/40
See application file for complete search history.

D356,156 S * 3/1995 Boland D24/183
D376,945 S * 12/1996 Bonaddio 5/420
D430,763 S 9/2000 Scheffer
D457,359 S 5/2002 Chan
6,447,067 B1 * 9/2002 Williams A47C 4/021
297/184.11
D476,819 S * 7/2003 Williams D6/334
6,824,220 B1 11/2004 Davison
7,020,911 B2 * 4/2006 Oldham A47C 13/005
297/411.24
7,347,493 B2 3/2008 Mulmed
D566,980 S * 4/2008 Mourgue D6/381
D567,526 S * 4/2008 Williams D6/381
D577,211 S * 9/2008 Natuzzi D6/334
D582,688 S * 12/2008 Spear D6/349
D589,283 S 3/2009 Stangdell
(Continued)

FOREIGN PATENT DOCUMENTS

CN 202636171 1/2013
GB 2497773 6/2013
KR 20140120438 10/2014

Primary Examiner — Deanna L Pratt
(74) *Attorney, Agent, or Firm* — Faegre Baker Daniels LLP

(57) **CLAIM**

The ornamental design for a furniture spine unit, as shown and described.

DESCRIPTION

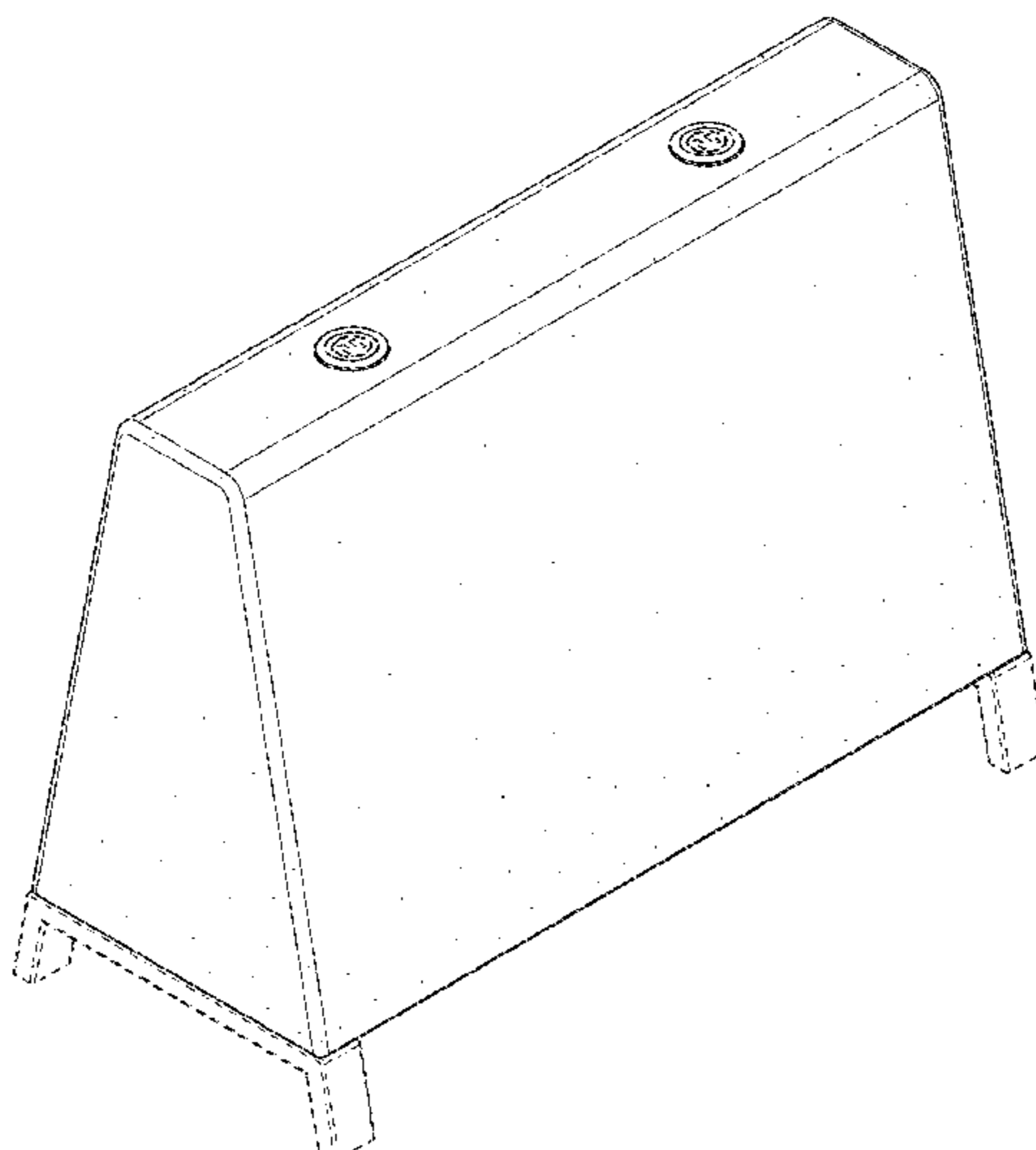
FIG. 1 is front perspective view of a furniture spine unit in accordance with my new design;
FIG. 2 is a front/rear side view thereof, it being understood that the front and rear side views are identical;
FIG. 3 is a left/right end view thereof, it being understood that the left and right end views are identical; and,
FIG. 4 is a top view thereof.
Features shown in broken lines form no part of the claimed design.

1 Claim, 4 Drawing Sheets

(56) **References Cited**

U.S. PATENT DOCUMENTS

D92,703 S 7/1934 Crego
2,985,892 A * 5/1961 Garrigus, Sr. A47C 17/14
297/313
3,110,909 A * 11/1963 Bendell A47C 17/36
5/12.1
3,273,174 A * 9/1966 Cassini A47C 20/027
5/633
D264,027 S * 4/1982 Aronowitz D6/364
4,374,354 A 2/1983 Petrovic et al.
D272,968 S * 3/1984 Fairaizen D6/335



(56)

References Cited

U.S. PATENT DOCUMENTS

D624,328	S *	9/2010	Grandin	D6/381
D639,083	S *	6/2011	Martin	D6/381
8,061,864	B2	11/2011	Metcalf et al.	
8,075,054	B2	12/2011	Smith	
D657,155	S	4/2012	Grandin et al.	
8,283,812	B2	10/2012	Azancot et al.	
D671,341	S *	11/2012	Metcalf	D6/717
D675,453	S	2/2013	Blet et al.	
8,421,407	B2	4/2013	Johnson	
D688,475	S	8/2013	Blet et al.	
8,528,972	B2	9/2013	Johnson	
8,536,737	B2	9/2013	Azancot et al.	
8,624,750	B2	1/2014	Azancot et al.	
8,625,255	B2	1/2014	Linnane et al.	
D699,456	S	2/2014	Bosman	
D699,457	S	2/2014	Bosman	
D699,460	S *	2/2014	Bosman	D6/371
D699,461	S *	2/2014	Bosman	D6/371
8,721,000	B2 *	5/2014	Nguyen	A47C 7/402 297/158.1
8,857,348	B2	10/2014	Gevaert et al.	
D739,156	S	9/2015	Webb	
D739,662	S *	9/2015	Webb	D6/334
D743,181	S	11/2015	Cardona	
D743,712	S	11/2015	Behar et al.	
D751,310	S *	3/2016	Schroeder	D6/364
D774,321	S *	12/2016	Webb	D6/381
2004/0026998	A1	2/2004	Henriott et al.	
2012/0119629	A1	5/2012	Nelson et al.	
2014/0054961	A1	2/2014	Metcalf et al.	
2014/0091638	A1	4/2014	Azancot et al.	
2014/0118892	A1	5/2014	Makwinski et al.	
2015/0091389	A1	4/2015	Byrne et al.	
2015/0091522	A1	4/2015	Byrne et al.	

* cited by examiner

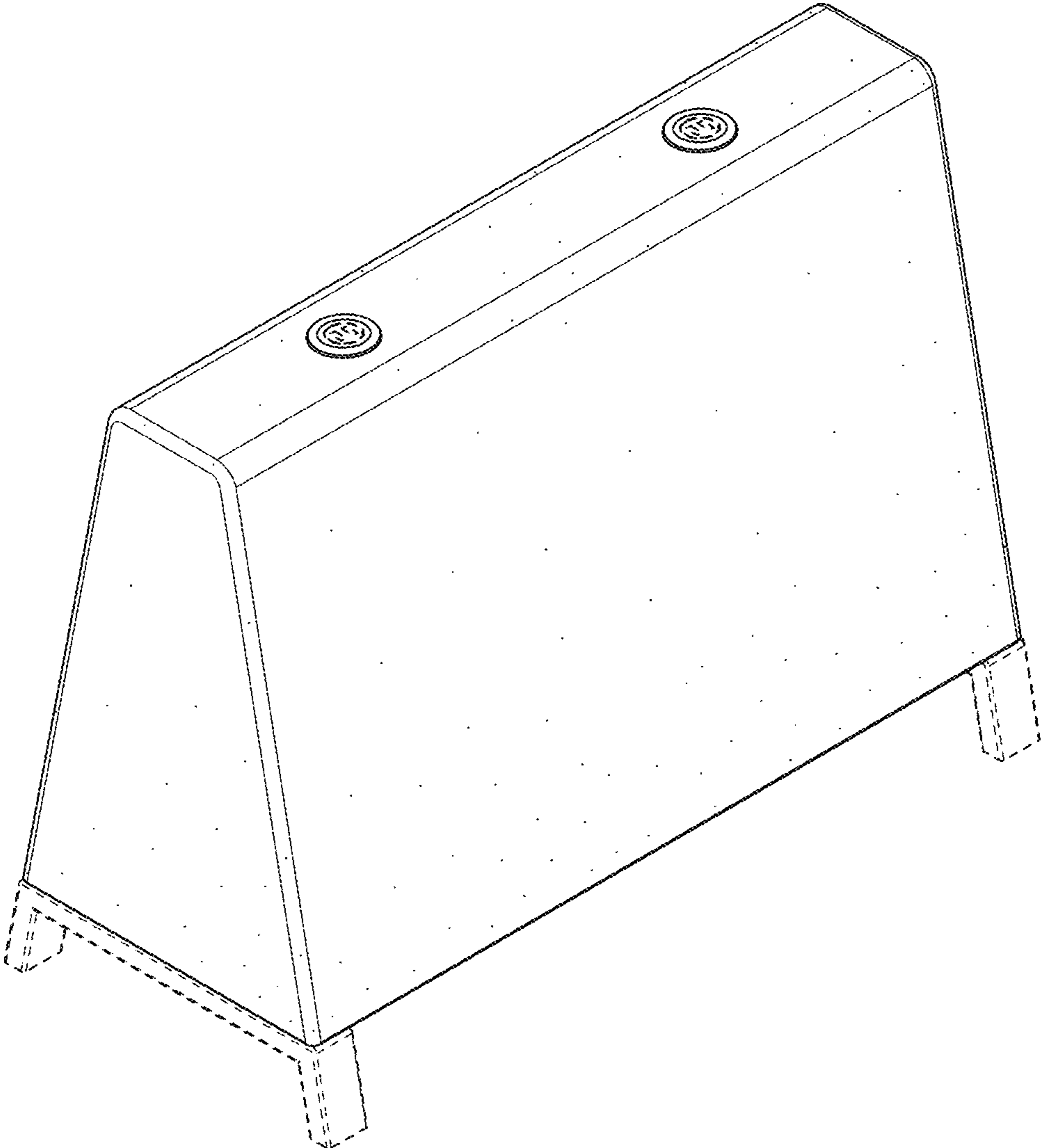


FIG. 1

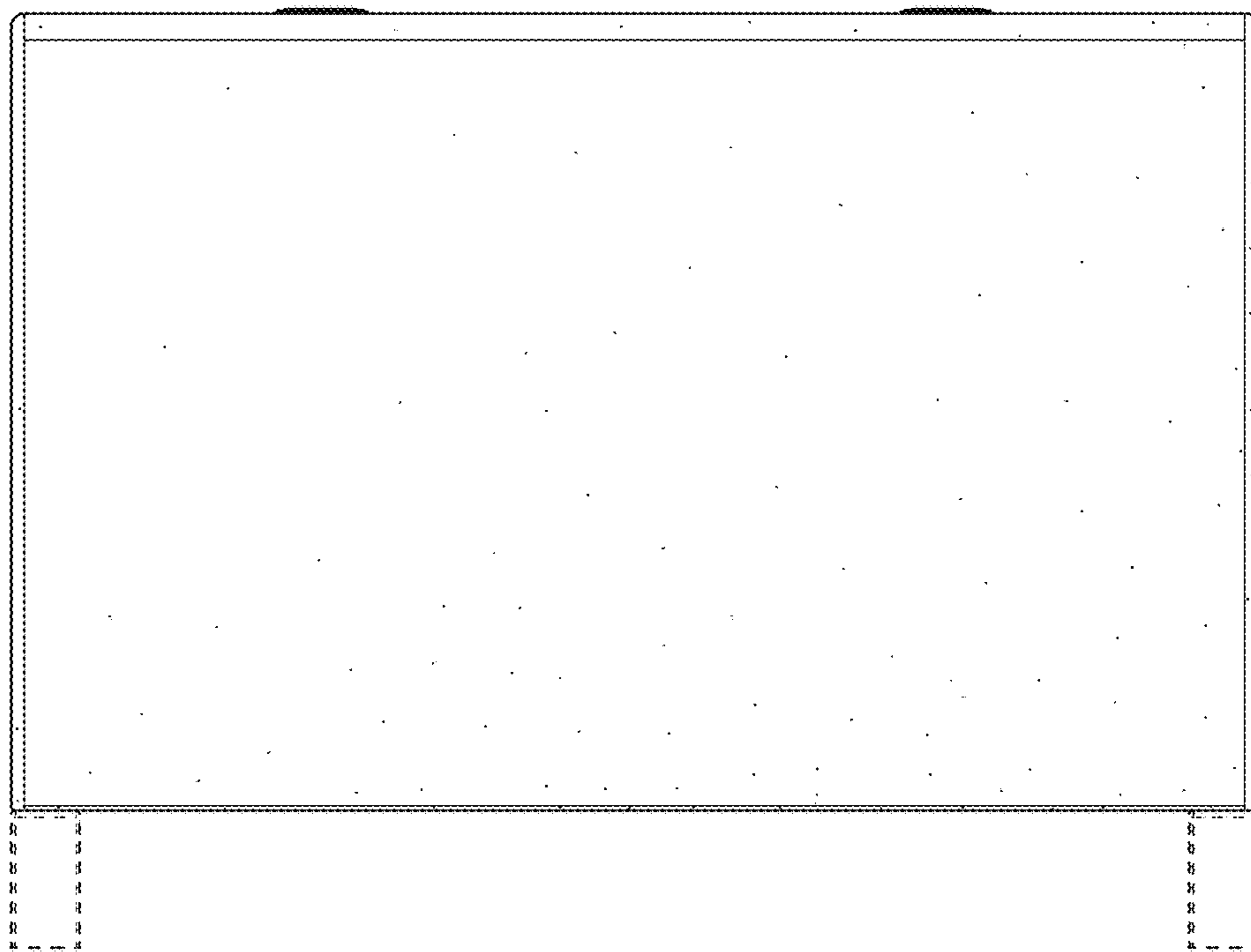


FIG. 2

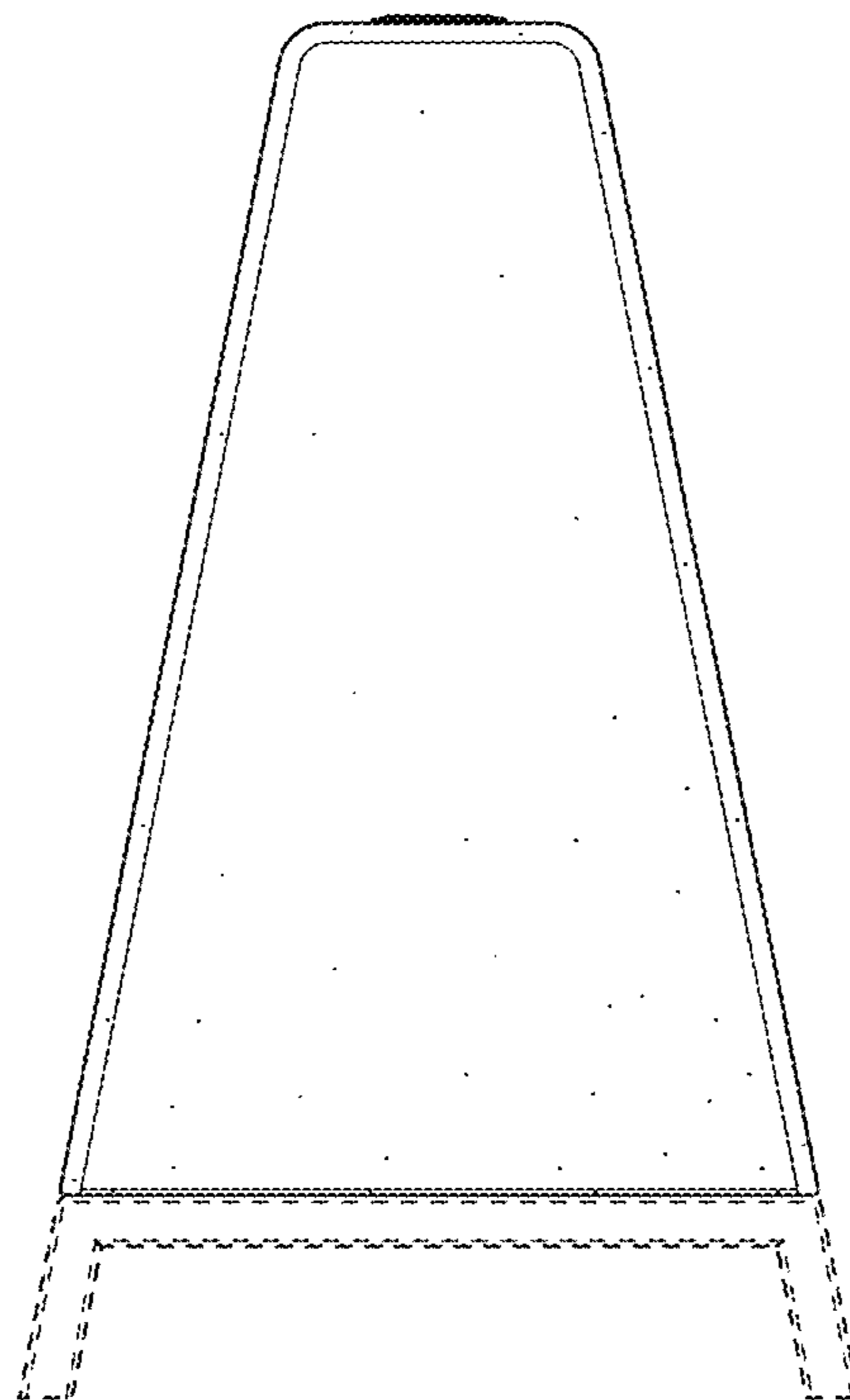


FIG. 3

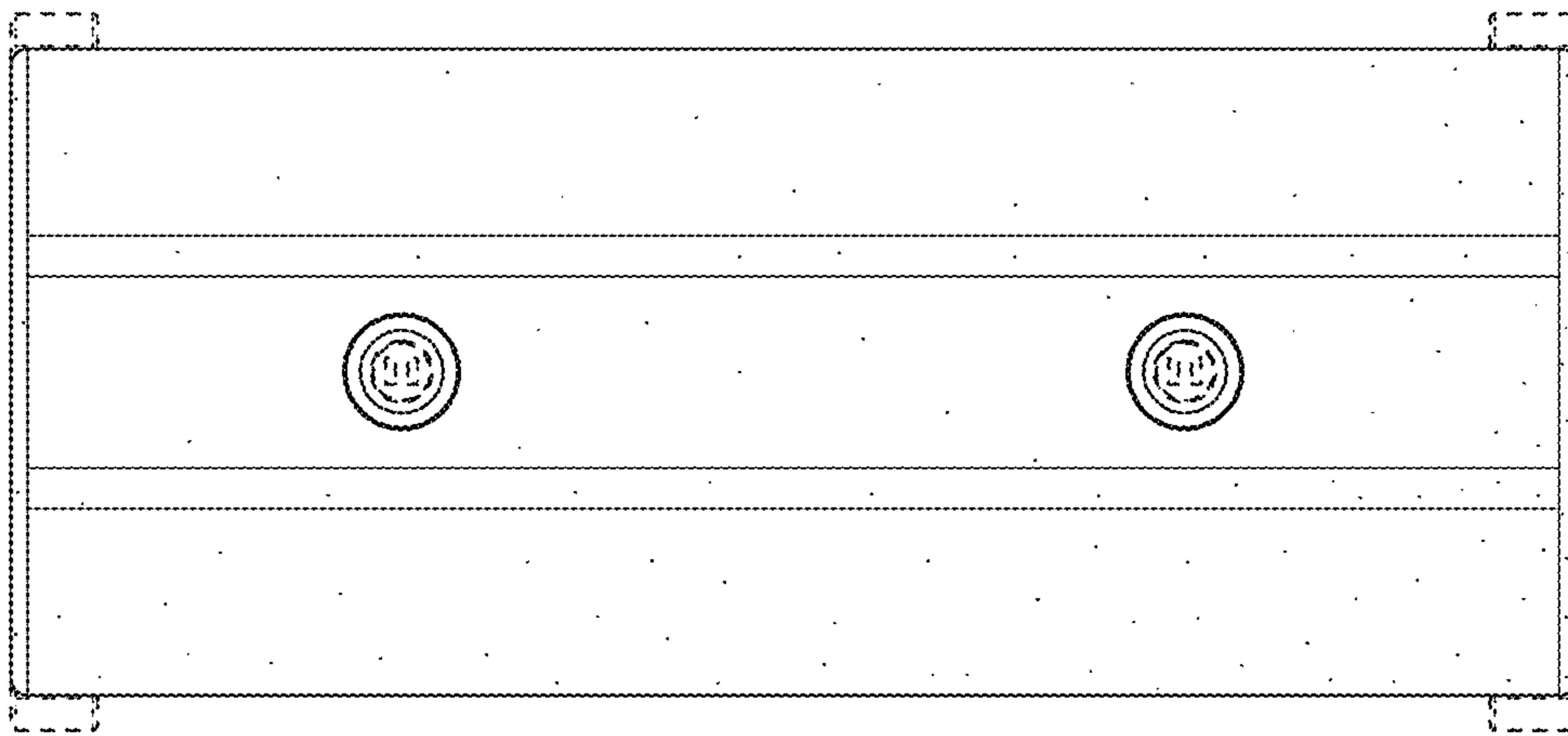


FIG. 4