



US00D839033S

(12) **United States Design Patent**
Woods

(10) **Patent No.:** **US D839,033 S**
(45) **Date of Patent:** **** Jan. 29, 2019**

- (54) **CONFERENCE TABLE**
- (71) Applicant: **Kimball International, Inc.**, Jasper, IN (US)
- (72) Inventor: **Donald Woods**, Celestine, IN (US)
- (73) Assignee: **Kimball International, Inc.**, Jasper, IN (US)
- (**) Term: **15 Years**
- (21) Appl. No.: **29/567,126**
- (22) Filed: **Jun. 6, 2016**
- (51) **LOC (11) Cl.** **06-03**
- (52) **U.S. Cl.**
USPC **D6/708**; D6/656; D6/692
- (58) **Field of Classification Search**
USPC D6/641, 653.11, 653.14, 653.18, 653.21, 654.11, 654.14, 654.18, 654.21, 655.11, 655.14, 656.12, 656.13, 656.16, 656.18, 688.14, 688.15, 688.21, 691.5, 692.4, 693.1, 695.3, 695.4, 696.2, 696.3, 697.1, 702, 708, 708.16, 709, 709.2, 709.22
CPC A47B 7/00; A47B 13/00; A47B 13/02; A47B 2200/0011; A47B 2200/0012; A47B 2200/0014; A47B 2200/002
See application file for complete search history.

D237,131 S * 10/1975 Lee 52/73
 4,374,354 A 2/1983 Petrovic et al.
 D289,471 S 4/1987 Sottsass et al.
 D289,472 S 4/1987 Sottsass et al.
 D341,957 S 12/1993 Belton
 D430,763 S 9/2000 Scheffer
 (Continued)

FOREIGN PATENT DOCUMENTS

CN	202636171	1/2013
GB	2497773	6/2013
KR	20140120438	10/2014

OTHER PUBLICATIONS

Steelcase—Media Scape: <http://www.steelcase.com/en/products/category/tables/conference/mediascape/pages/overview.aspx>, accessed as early as May 13, 2015.

(Continued)

Primary Examiner — Mary Ann Calabrese
(74) *Attorney, Agent, or Firm* — Faegre Baker Daniels LLP

(57) **CLAIM**

The ornamental design for a conference table, as shown and described.

DESCRIPTION

FIG. 1 is a front perspective view of a conference table according to a first embodiment of my new design; FIG. 2 is a side view thereof; the opposite side is identical thereto; and, FIG. 3 is an end view thereof; the opposite end is identical thereto.

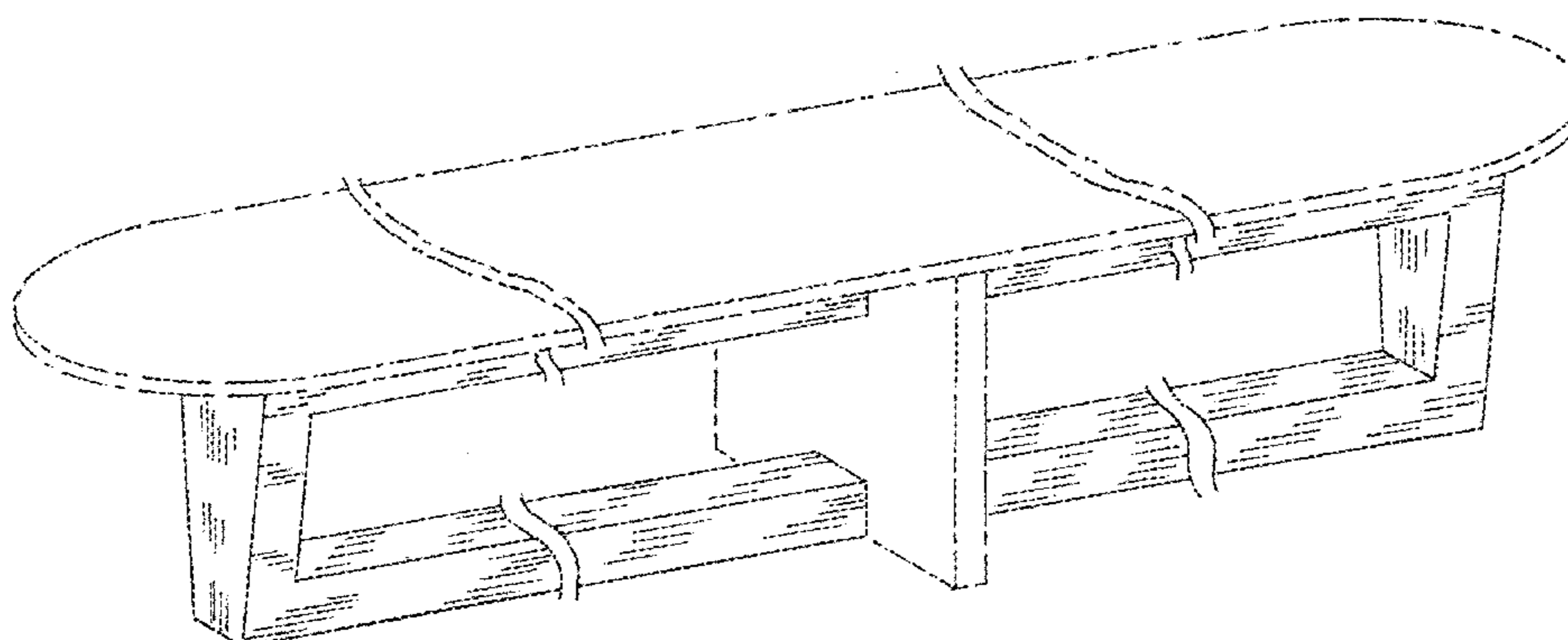
The conference table is shown with a symbolic break in its length. The appearance of any portion of the article between the break lines forms no part of the claimed design. Features shown in dashed lines form no part of the claimed designs.

1 Claim, 2 Drawing Sheets

(56) **References Cited**

U.S. PATENT DOCUMENTS

D68,633 S	*	11/1925	McCargar	D6/691.5
D92,703 S		7/1934	Crego		
D157,781 S		3/1950	Pahlmann		
D164,425 S		9/1951	Jones		
D172,995 S		9/1954	Silverman		
D192,567 S		4/1962	Nemlich et al.		
D194,850 S		3/1963	McCord		
D203,170 S		12/1965	Beckman et al.		
D225,950 S	*	1/1973	Kienel	D6/691.5



(56)

References Cited

U.S. PATENT DOCUMENTS

D434,578 S 12/2000 Goza
 D457,359 S 5/2002 Chan
 6,824,220 B1 11/2004 Davison
 D549,992 S 9/2007 Barnard et al.
 D550,478 S 9/2007 Glass, III et al.
 7,347,493 B2 3/2008 Mulmed
 D567,237 S 4/2008 Kim
 D583,781 S 12/2008 Derocher et al.
 D585,669 S * 2/2009 Gharabegian D6/692.4
 D589,283 S 3/2009 Stangdell
 D599,855 S 9/2009 Soodeen et al.
 D615,054 S 5/2010 Mellingen et al.
 D623,621 S 9/2010 Roed et al.
 D624,328 S 9/2010 Grandin et al.
 D624,514 S 9/2010 Roed et al.
 D647,723 S 11/2011 Ruggiero
 8,061,864 B2 11/2011 Metcalf et al.
 8,075,054 B2 12/2011 Smith
 D655,537 S 3/2012 Ruitter et al.
 D657,155 S 4/2012 Grandin et al.
 8,283,812 B2 10/2012 Azancot et al.
 D675,453 S 2/2013 Blet et al.
 D677,496 S 3/2013 Agati et al.
 8,421,407 B2 4/2013 Johnson
 D688,475 S 8/2013 Blet et al.
 8,528,972 B2 9/2013 Johnson
 8,536,737 B2 9/2013 Azancot et al.
 8,624,750 B2 1/2014 Azancot et al.
 8,625,255 B2 1/2014 Linnane et al.
 D699,456 S 2/2014 Bosman
 D699,457 S 2/2014 Bosman
 8,857,348 B2 10/2014 Gevaert et al.
 D716,595 S 11/2014 Muller
 D725,638 S 3/2015 Hofman et al.

D739,156 S 9/2015 Webb
 D743,181 S 11/2015 Cardona
 D743,712 S 11/2015 Behar et al.
 D792,131 S * 7/2017 Woods D6/656.15
 D817,052 S * 5/2018 Parisio D6/708
 2004/0026998 A1 2/2004 Henriott et al.
 2012/0119629 A1 5/2012 Nelson et al.
 2014/0054961 A1 2/2014 Metcalf et al.
 2014/0091638 A1 4/2014 Azancot et al.
 2014/0118892 A1 5/2014 Makwinski et al.
 2015/0091389 A1 4/2015 Byrne et al.
 2015/0091522 A1 4/2015 Byrne et al.

OTHER PUBLICATIONS

OFS—Slate: http://www.ofs.com/products/tables_technology_reception/slate/, accessed as early as May 13, 2015.
 Herman Miller—Canvas: <http://www.hermanmiller.com/products/workspaces/individual-workstations/canvas-office-landscape.html>, accessed as early as May 13, 2015.
 Teknion—Club Talk: http://www.teknion.com/products/tables_clubtalk/default.asp?country=us§ion=tables&subSection=clubtalk&product=clubtalk, accessed as early as May 13, 2015.
 Nienkamper—Gateway: <http://www.nienkamper.com/products.aspx?id=249>, accessed as early as May 13, 2015.
 Haworth—Workware: <http://haworth.com/home/technology/workware->, accessed as early as May 13, 2015.
 Agati furniture—Media Center: <http://www.agati.com/media-centers/>, accessed as early as May 13, 2015.
 AVTEQ—TeamSpace: <http://avteq.net/shop/category/team-space-products/>, accessed as early as May 13, 2015.
 Krueger International Backbone Media Platform, KI.com, <http://www.ki.com/products/name/backbone-media-platform/>, accessed as early as May 13, 2015.

* cited by examiner

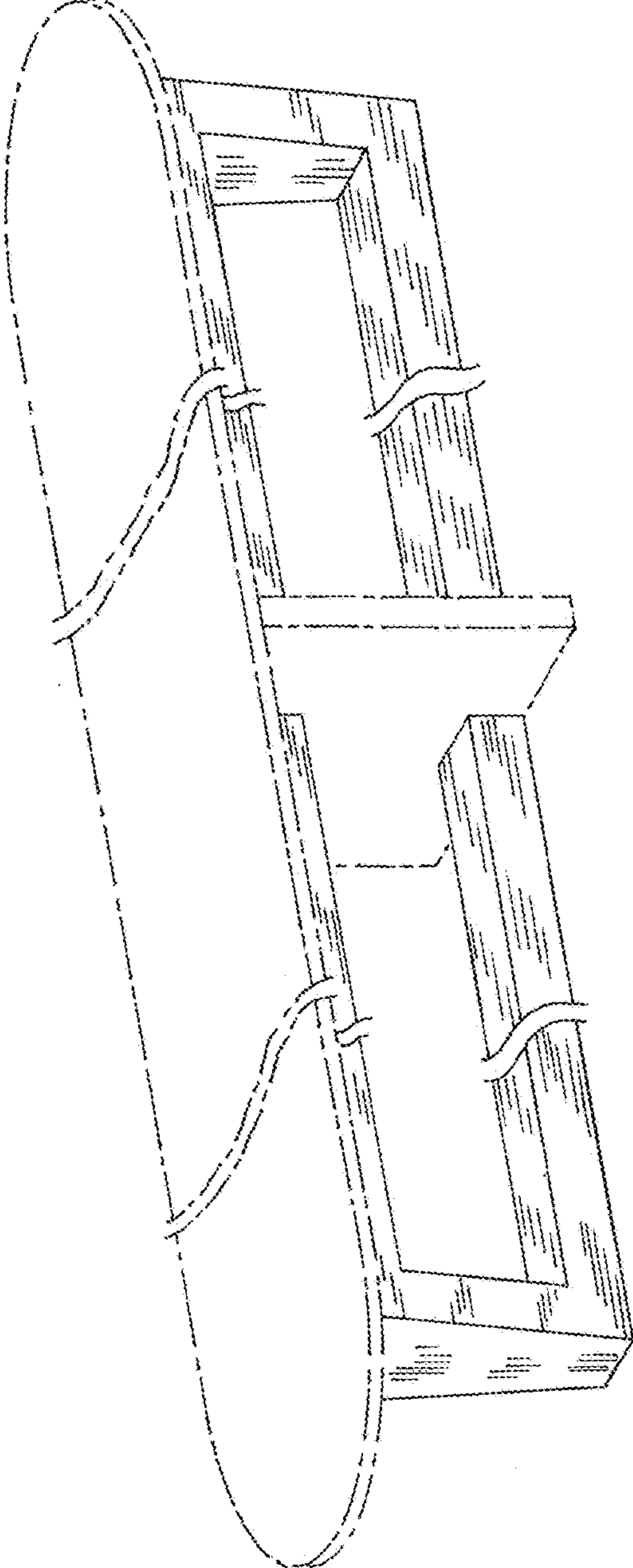


FIG. 1

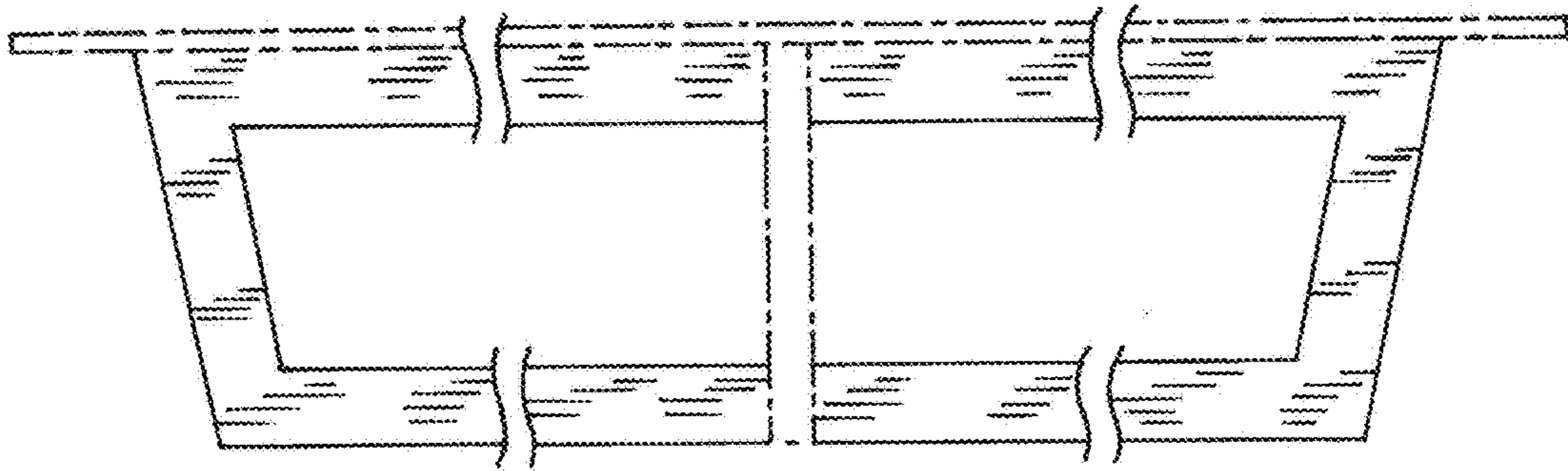


FIG. 2

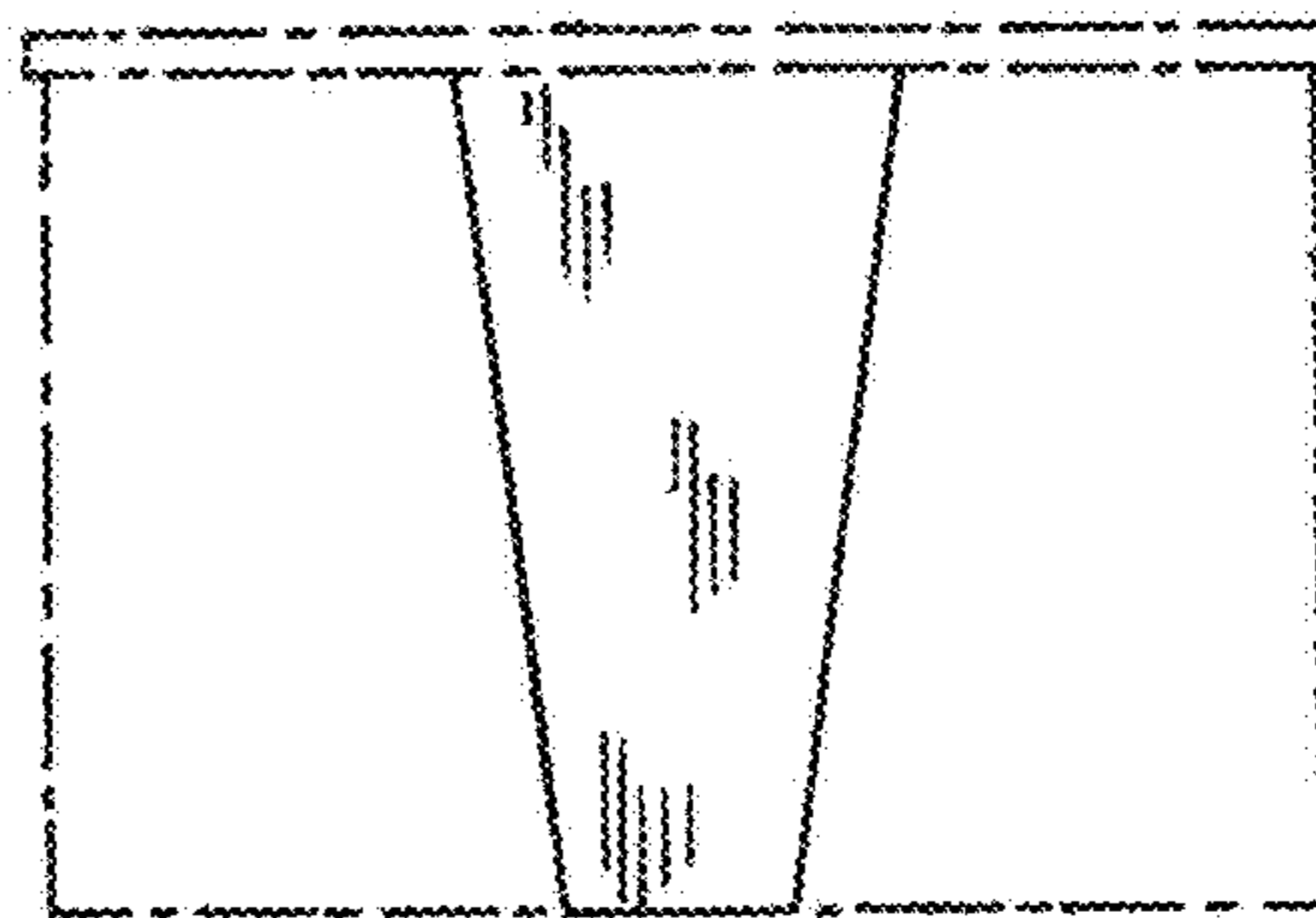


FIG. 3