



US00D839032S

(12) **United States Design Patent**
Yamamoto

(10) **Patent No.:** **US D839,032 S**

(45) **Date of Patent:** **** Jan. 29, 2019**

(54) **DESK**

(71) Applicant: **Okamura Corporation**, Yokohama-shi,
Kanagawa (JP)

(72) Inventor: **Takayuki Yamamoto**, Yokohama (JP)

(73) Assignee: **Okamura Corporation**, Yokohama-shi,
Kanagawa (JP)

(**) Term: **15 Years**

(21) Appl. No.: **29/627,066**

(22) Filed: **Nov. 22, 2017**

(30) **Foreign Application Priority Data**

May 24, 2017 (JP) 2017-011093

(51) **LOC (11) Cl.** **06-03**

(52) **U.S. Cl.**
USPC **D6/702**

(58) **Field of Classification Search**

USPC D6/671, 672, 675, 686, 687, 688.26,
D6/688.27, 691, 691.1, 691.3, 691.4,
D6/691.6, 691.8, 691.9, 693, 694, 695,
D6/695.1, 696, 696.1, 696.3, 697, 702,
D6/707.15, 708, 708.17, 709, 710
CPC A47B 13/06; A47B 2013/026; A47B 1/08;
A47B 2003/0821; A47B 3/087; A47B
3/0911; A47B 3/0918; A47B 3/14; A47B
2003/145; A47B 31/04; A47B 47/00;
A47B 47/02; B62B 3/108; F16B 12/00;
F16B 12/50; F24B 15/04; H02B 1/26;
H02B 1/30

See application file for complete search history.

(56) **References Cited**

U.S. PATENT DOCUMENTS

D220,802 S * 5/1971 Hedges D6/648
D278,770 S * 5/1985 Koguma D6/648.4

D330,124 S * 10/1992 Short D6/648.3
D371,029 S * 6/1996 Pagett D6/707.22
D400,371 S * 11/1998 Robinson D6/648
6,119,989 A * 9/2000 Hollington A47B 13/02
248/170
6,349,907 B1 * 2/2002 Hollington A47B 13/02
248/188.4
D539,568 S * 4/2007 Vander Park D6/648
D606,341 S * 12/2009 Kitada D6/648
D726,464 S * 4/2015 Lin D6/709
D779,238 S * 2/2017 Kamata D6/649
D788,496 S * 6/2017 Yamamoto D6/648
D788,497 S * 6/2017 Yamamoto D6/648

* cited by examiner

Primary Examiner — Mary Ann Calabrese

Assistant Examiner — Catherine Ho

(74) *Attorney, Agent, or Firm* — Banner & Witcoff, Ltd.

(57) **CLAIM**

The ornamental design for a desk, as shown and described.

DESCRIPTION

FIG. 1 is a front, top, right side perspective view of a desk showing my new design;

FIG. 2 is a front, top, left side perspective view thereof;

FIG. 3 is a front view thereof;

FIG. 4 is a right side view thereof, the left view thereof being a mirror image;

FIG. 5 is a top view thereof;

FIG. 6 is a rear view thereof;

FIG. 7 is a bottom view thereof;

FIG. 8 is a cross-sectional view taken along the line 8-8 in FIG. 4; and,

FIG. 9 is a cross-sectional view taken along the line 9-9 in FIG. 4.

The broken lines shown in the drawings are included for the purpose of illustrating portions of the desk that form no part of the claimed design.

1 Claim, 9 Drawing Sheets

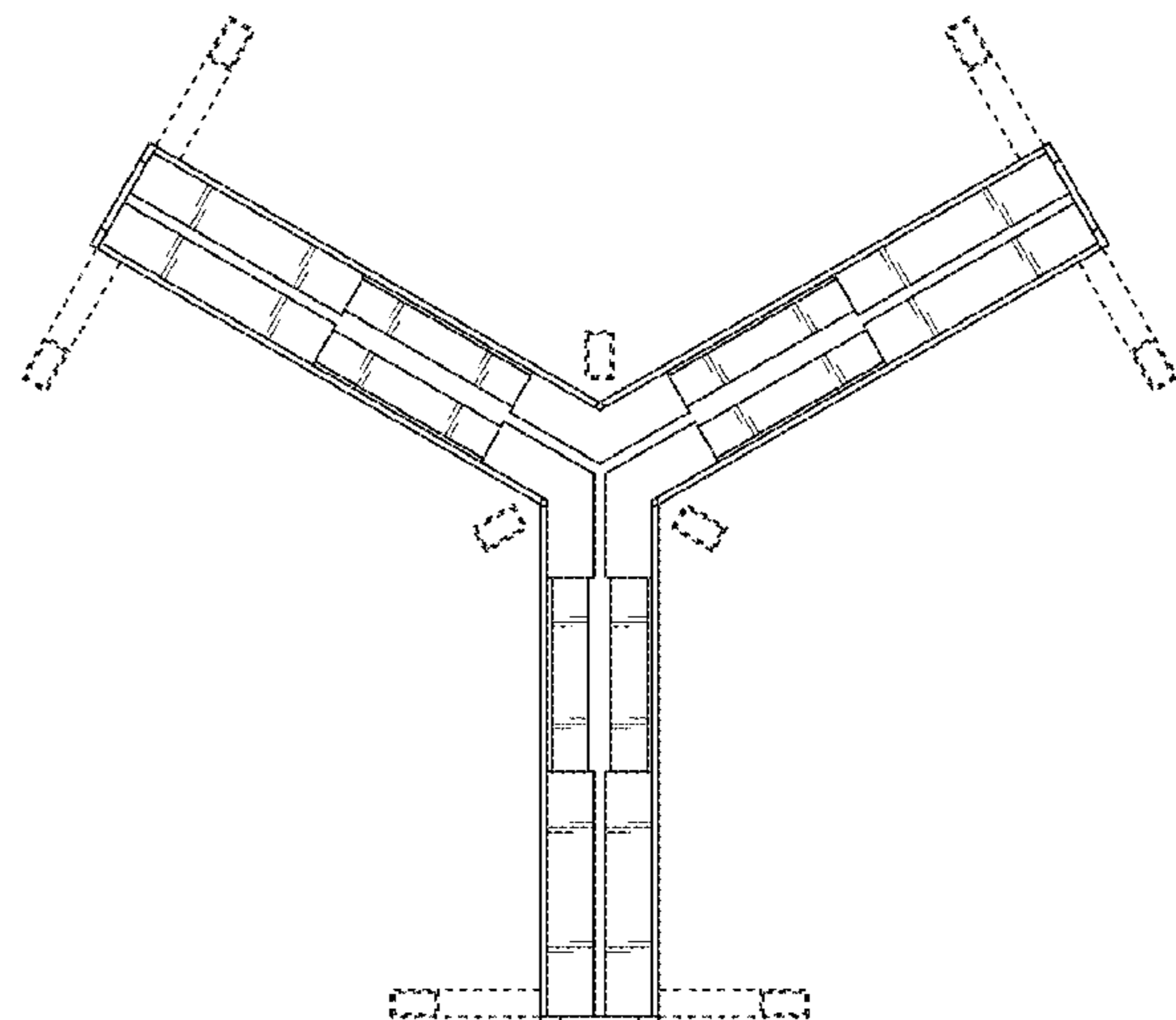
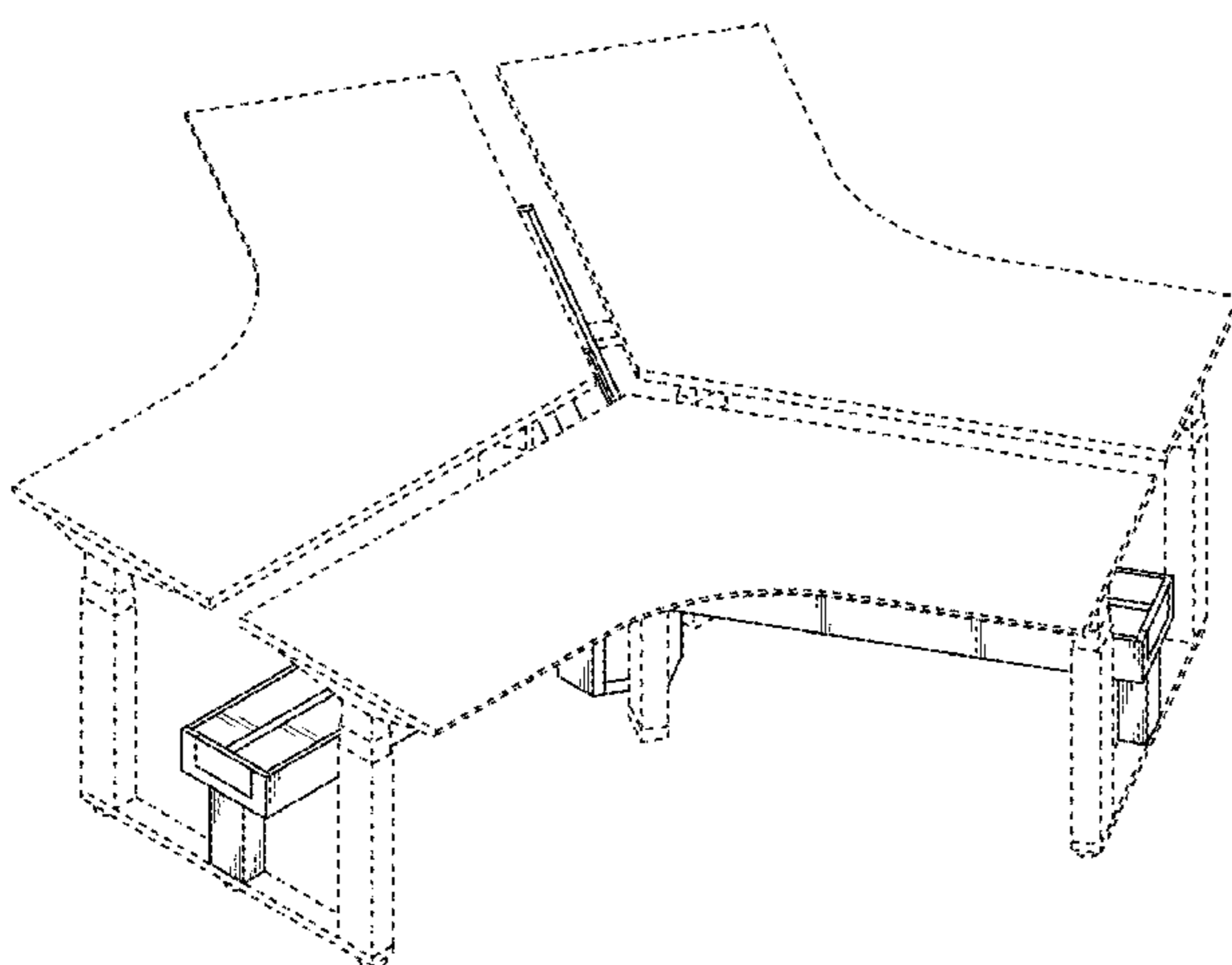


FIG. 1

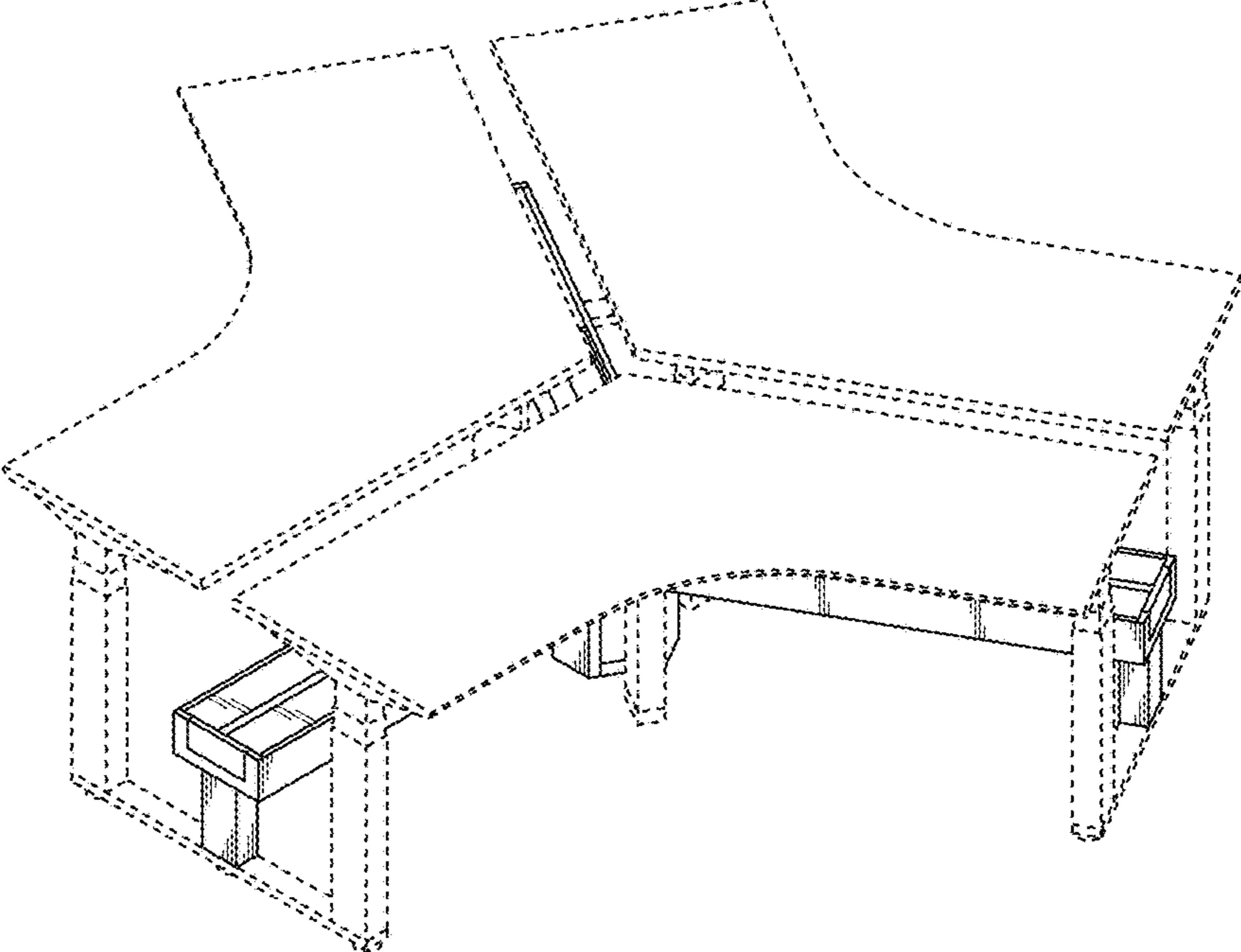


FIG. 2

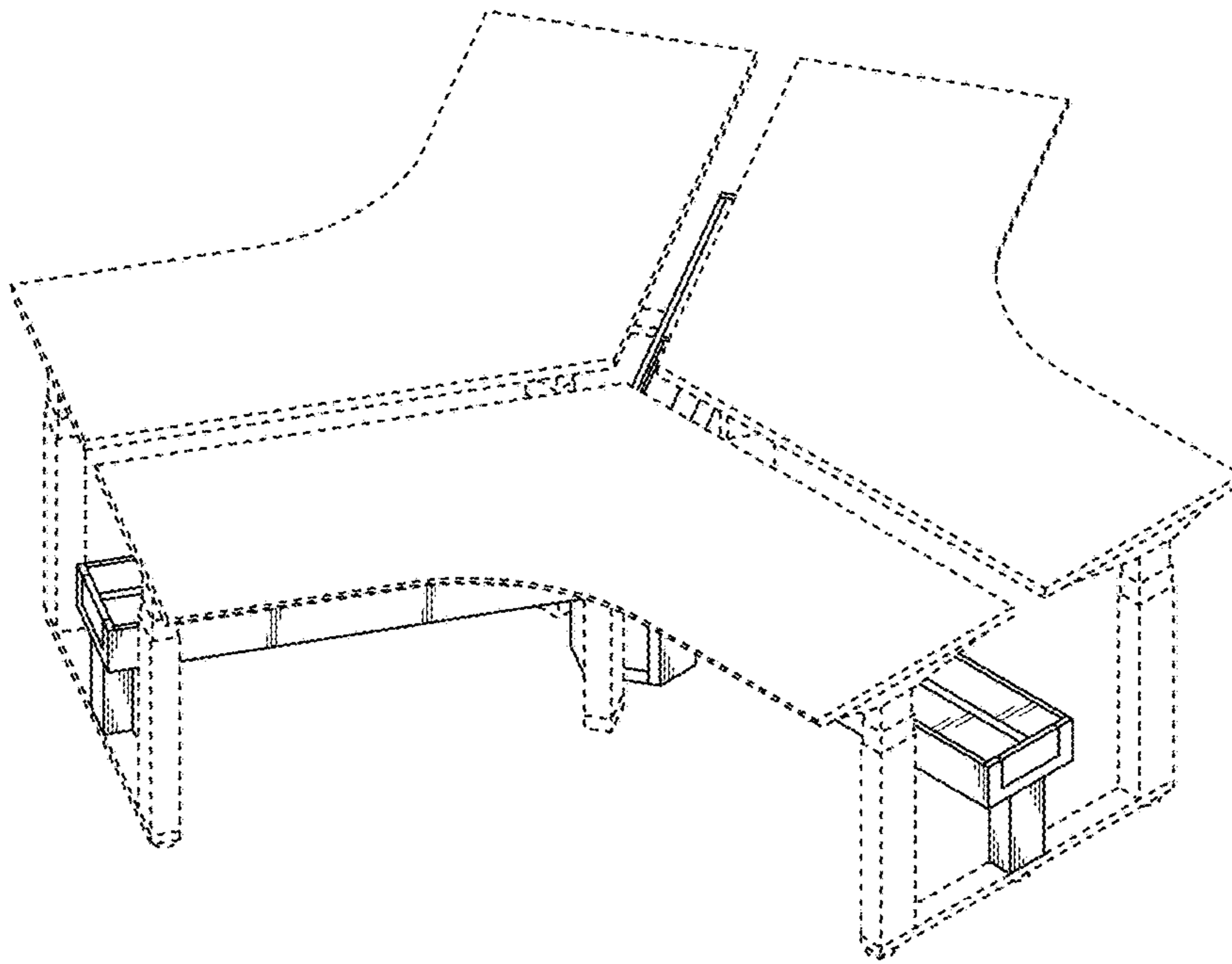


FIG. 3

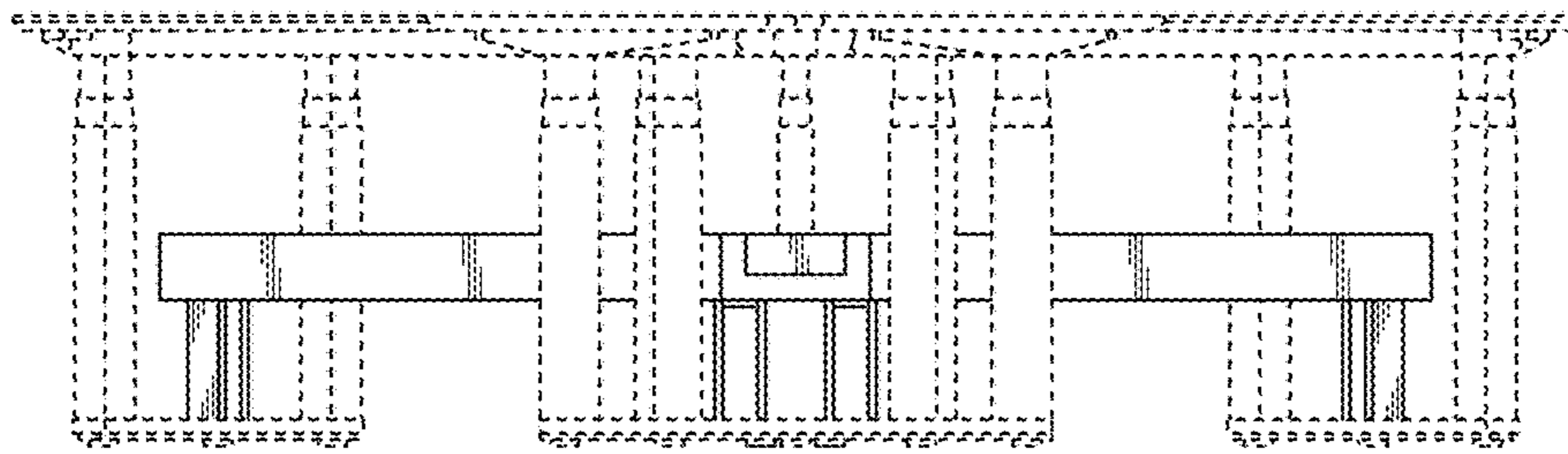


FIG. 4

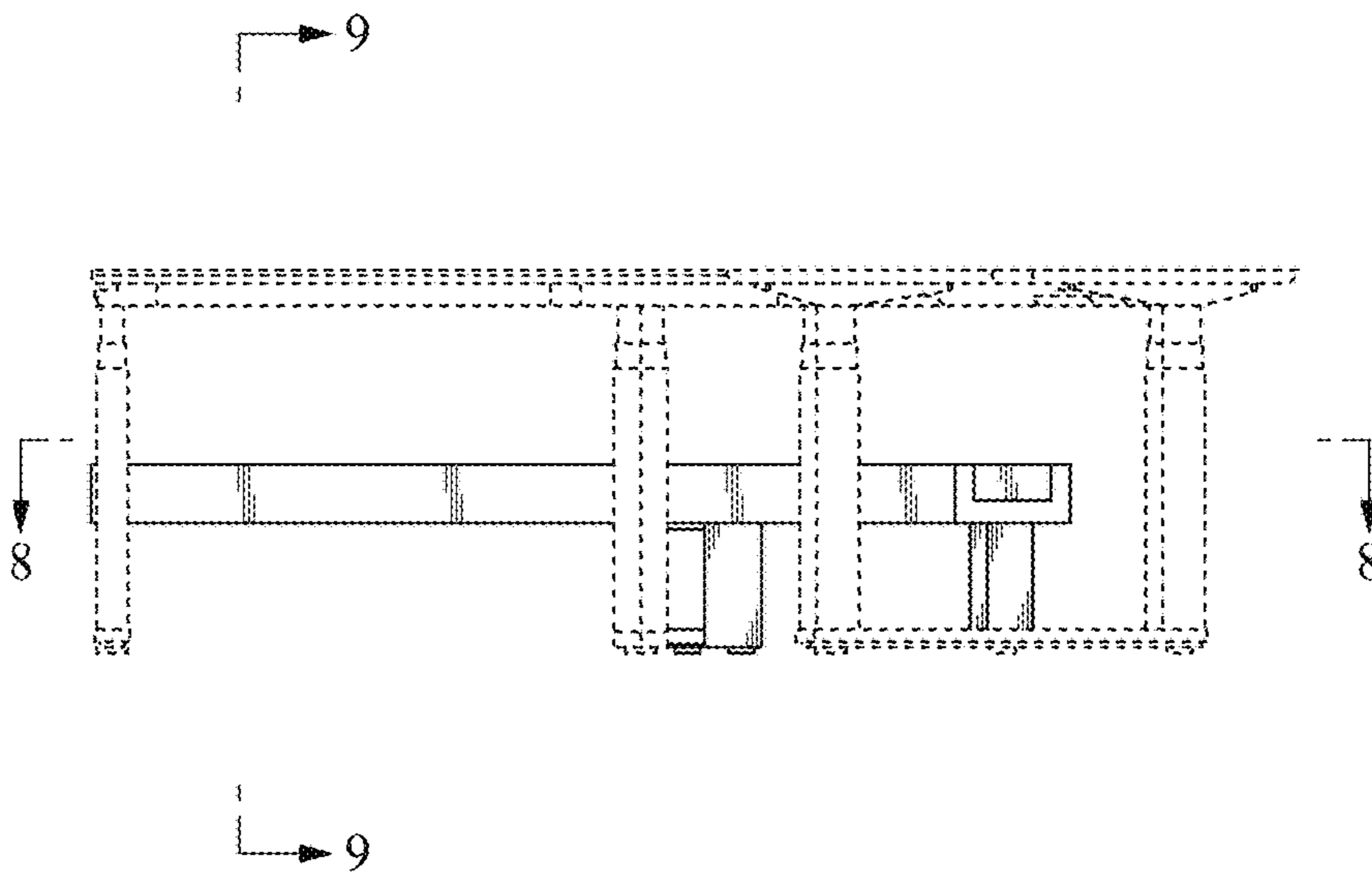


FIG. 5

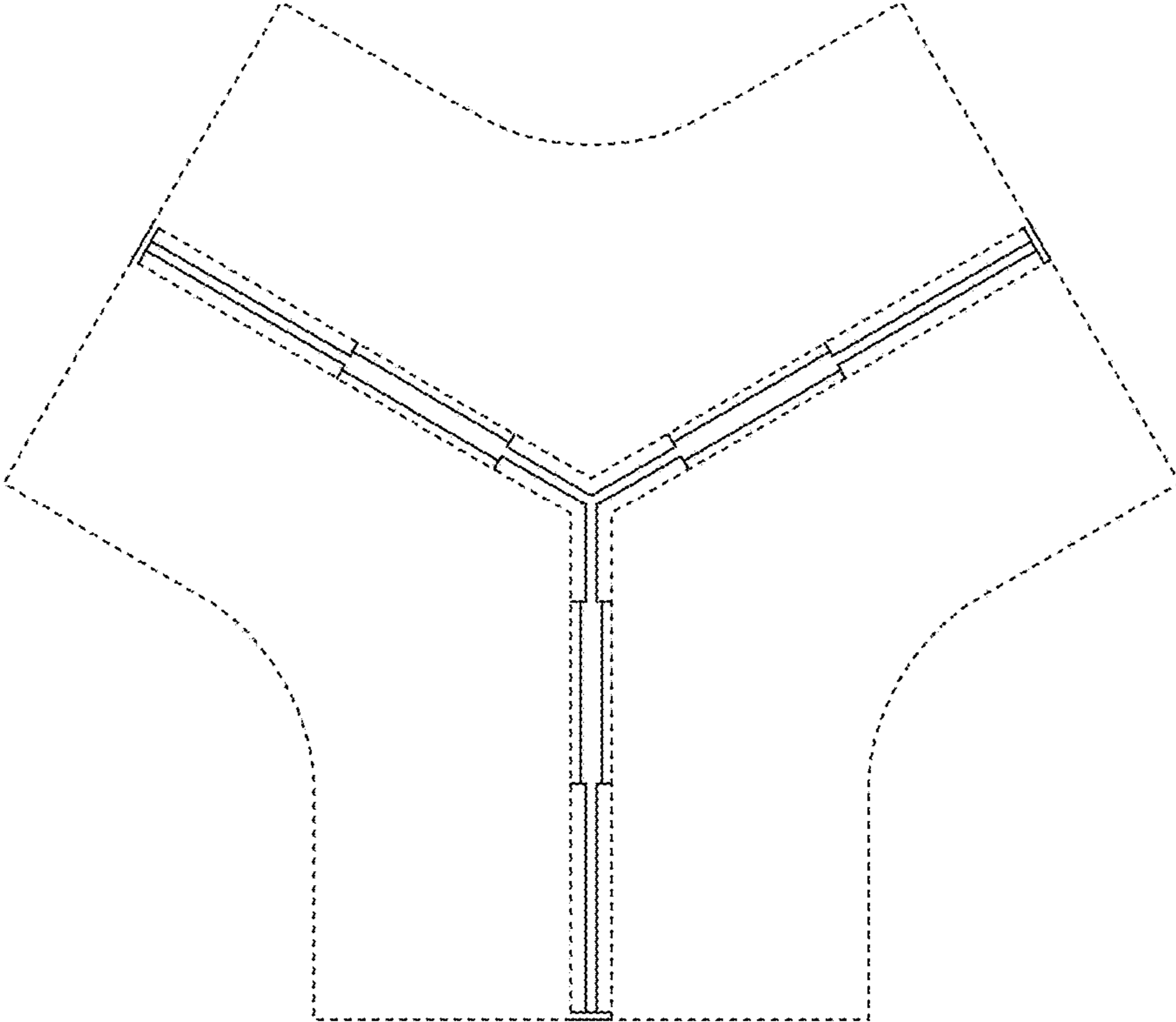


FIG. 6

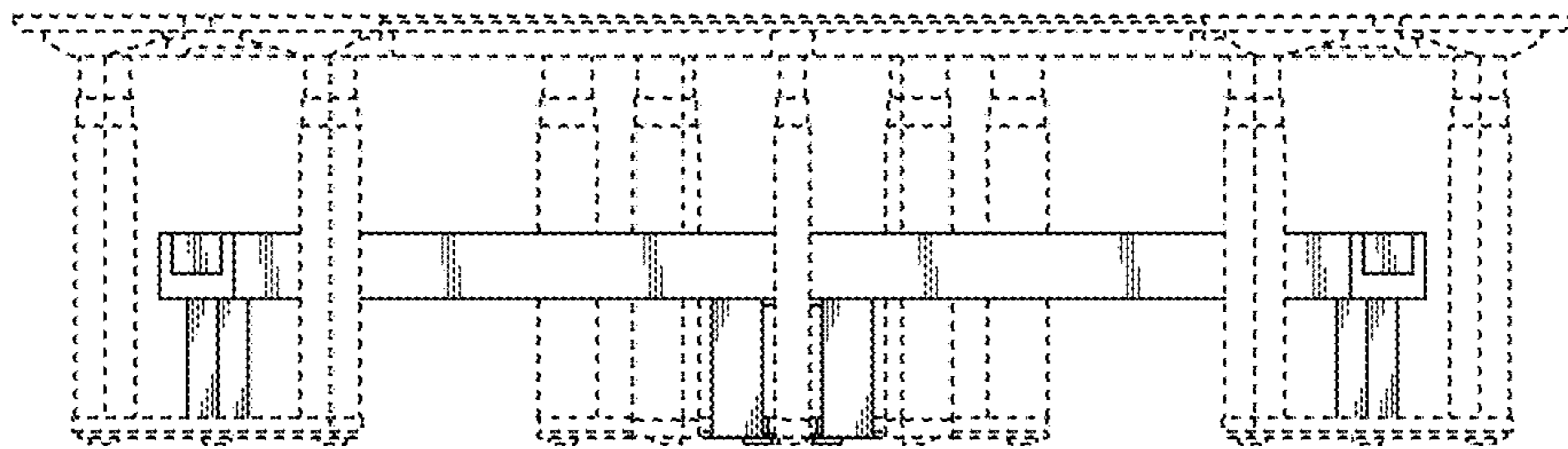


FIG. 7

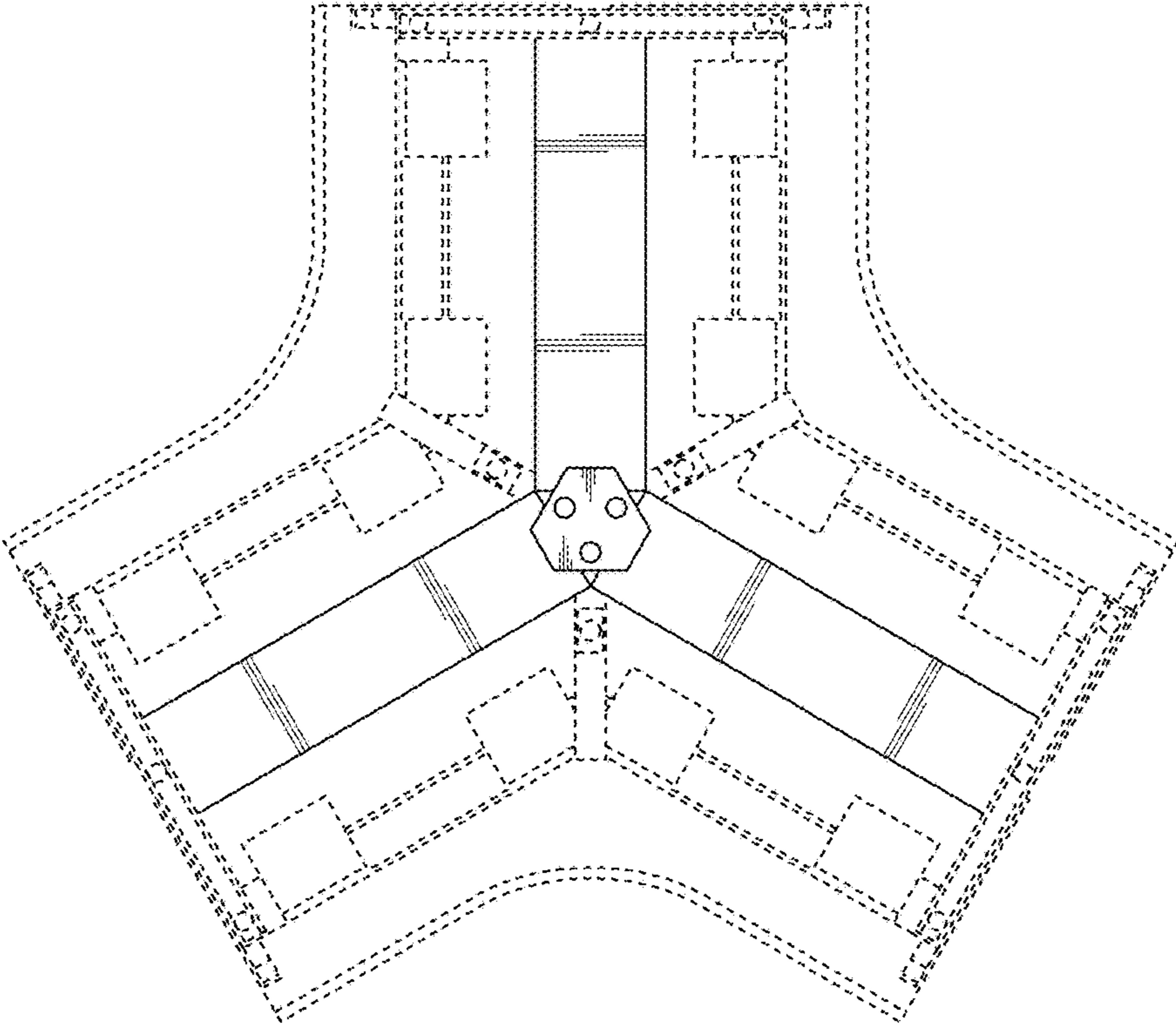


FIG. 8

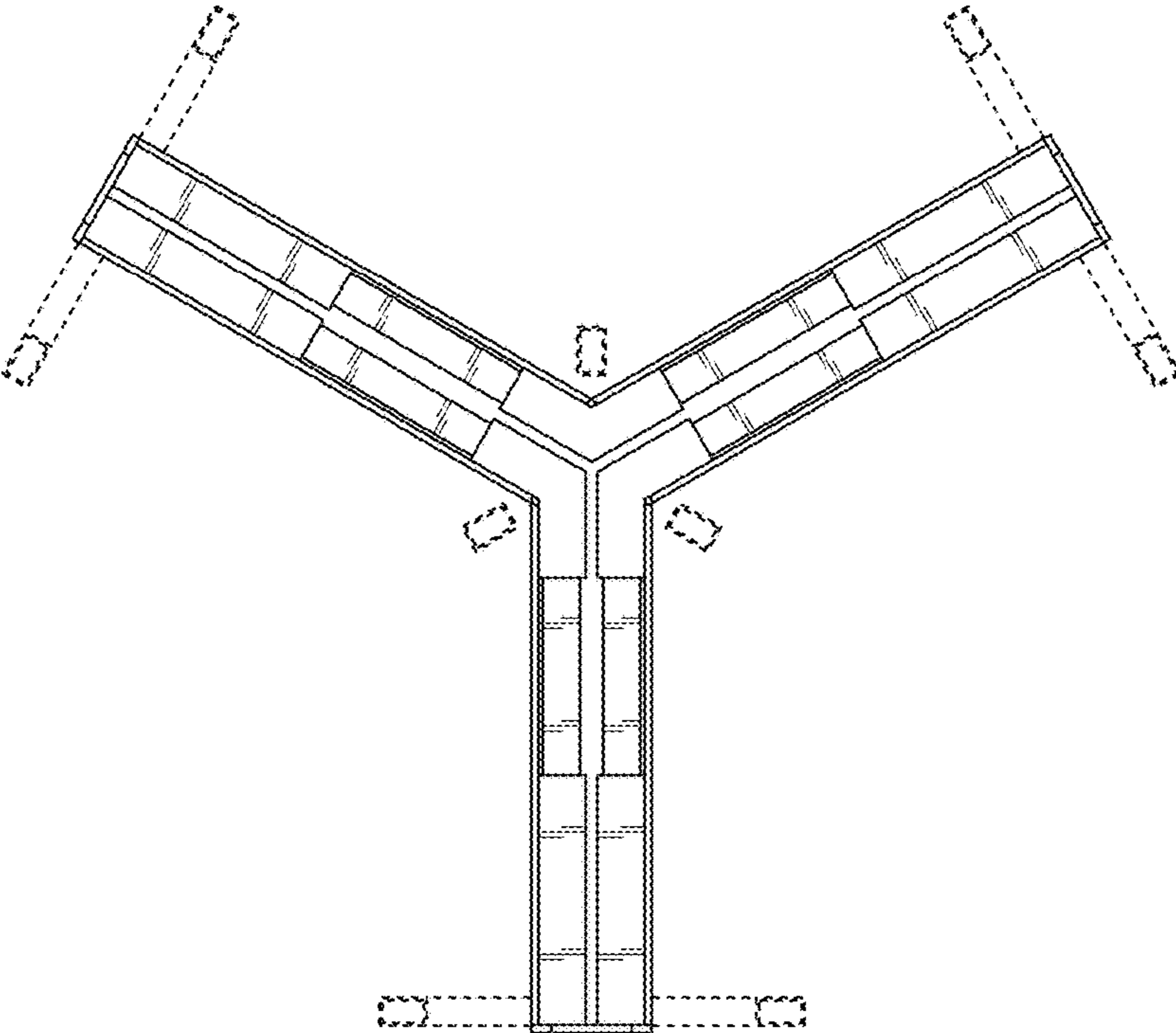


FIG. 9

