



US00D839030S

(12) **United States Design Patent**  
**Diorio**

(10) **Patent No.:** **US D839,030 S**  
(45) **Date of Patent:** **\*\* Jan. 29, 2019**

(54) **ZIP TIE ORGANIZER**

(71) Applicant: **Joseph A. Diorio**, Murrieta, CA (US)

(72) Inventor: **Joseph A. Diorio**, Murrieta, CA (US)

(\*\*) Term: **15 Years**

(21) Appl. No.: **29/662,048**

(22) Filed: **Aug. 31, 2018**

(51) **LOC (11) Cl.** ..... **06-06**

(52) **U.S. Cl.**  
USPC ..... **D6/677.5**

(58) **Field of Classification Search**  
USPC ..... D6/672, 677, 677.1, 677.2, 677.5, 682,  
D6/682.1, 682.2, 683, 683.1; D3/304,  
D3/313, 315, 316; D19/102, 75, 77, 81,  
D19/84, 85  
CPC . B25H 3/00; B25H 3/003; B65D 1/00; B65D  
1/22; B65D 11/20; B65D 17/02; B65D  
2585/689; A47G 29/08  
See application file for complete search history.

(56) **References Cited**

U.S. PATENT DOCUMENTS

D92,312 S *	5/1934	Kanter	.....	D19/85
D177,788 S *	5/1956	Abadessa, Jr. et al.	.....	D19/85
2,881,947 A	4/1959	Hancock		
2,956,686 A *	10/1960	Garey	.....	B01L 9/06 211/74
D202,080 S *	8/1965	Klnaust	.....	D19/85
D233,120 S *	10/1974	Dawson	.....	211/74
4,339,071 A *	7/1982	Hall	.....	G07D 9/06 232/5
D288,259 S *	2/1987	Tranchida	.....	D99/37
D297,439 S *	8/1988	Rabig	.....	D19/85
D357,886 S *	5/1995	Fuller	.....	D11/152
5,544,764 A *	8/1996	Cima	.....	B43M 99/008 211/60.1
D373,867 S *	9/1996	Rask	.....	D32/58
D390,727 S *	2/1998	Ferry	.....	D19/77

D401,016 S *	11/1998	Holliday	.....	D28/73
6,637,595 B1	10/2003	Frossard et al.		
6,681,931 B2	1/2004	Finley		
D661,902 S *	6/2012	Italiano	.....	D3/313
D697,741 S *	1/2014	Musheyev	.....	D6/677.5
D700,936 S *	3/2014	Parker	.....	D19/85
D774,368 S *	12/2016	Gresham	.....	D7/701
D806,392 S *	1/2018	Glick	.....	D3/315
D806,487 S *	1/2018	Elvin-Jensen	.....	D7/701
D809,838 S *	2/2018	Hendifar	.....	D6/683
2007/0138050 A1	6/2007	Dominey		

(Continued)

FOREIGN PATENT DOCUMENTS

WO WO 2016/139372 9/2016

Primary Examiner — Kelley A Donnelly

(74) Attorney, Agent, or Firm — Eric Karich; Karich & Associates

(57) **CLAIM**

The ornamental design for a zip tie organizer, as shown and described.

**DESCRIPTION**

FIG. 1 is a perspective view of a zip tie organizer, showing my new design;

FIG. 2 is a front elevational view thereof;

FIG. 3 is a rear elevational view thereof;

FIG. 4 is a left side elevational view thereof

FIG. 5 is a right side elevational view thereof;

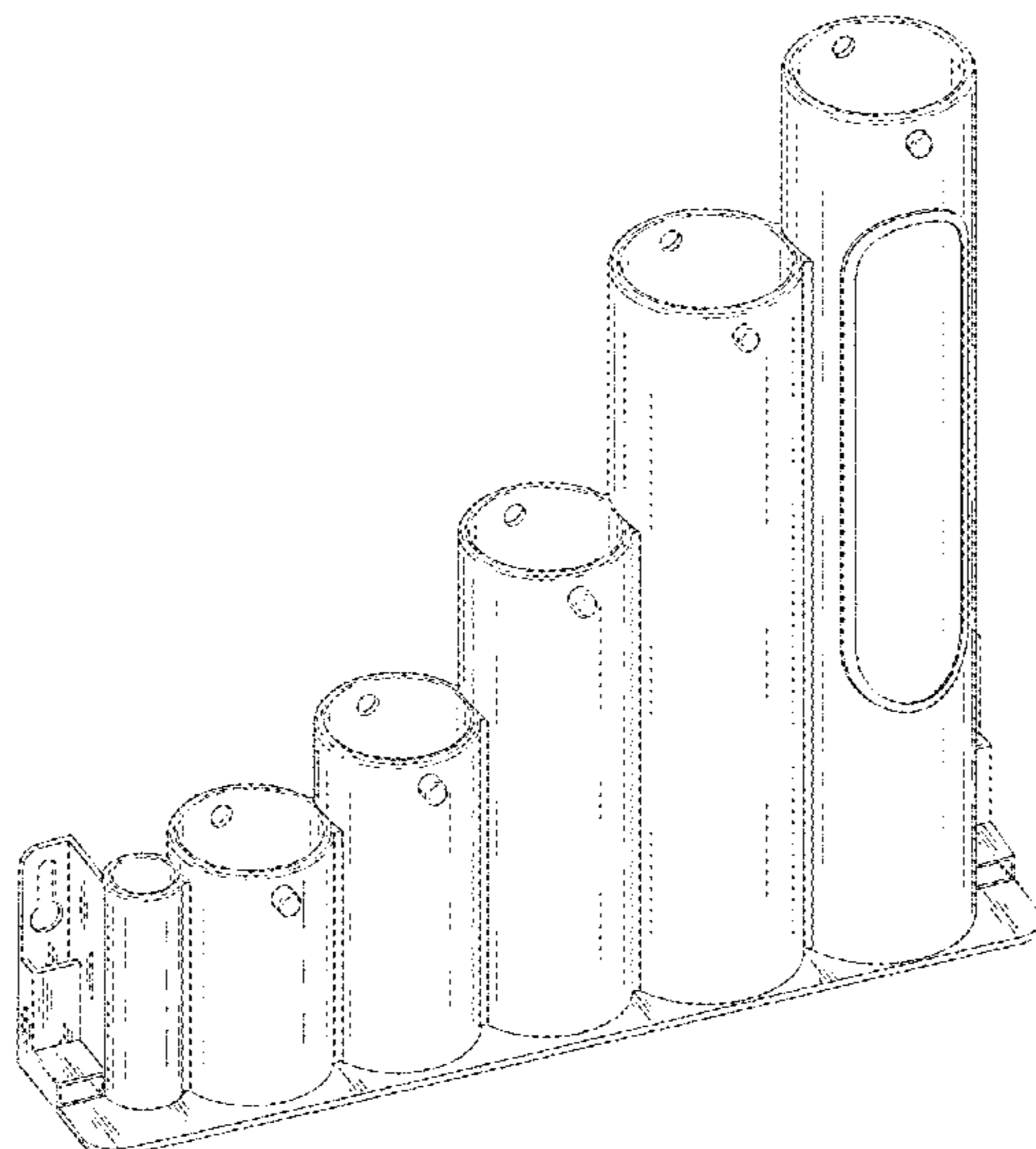
FIG. 6 is a top plan view thereof;

FIG. 7 is a bottom plan view thereof; and,

FIG. 8 is a perspective view thereof illustrating zip ties, rubber bands, and pliers operably positioned on the zip tie organizer.

The broken line showing of zip ties, rubber bands, and pliers depict portions of the article that form no part of the claimed design.

**1 Claim, 6 Drawing Sheets**



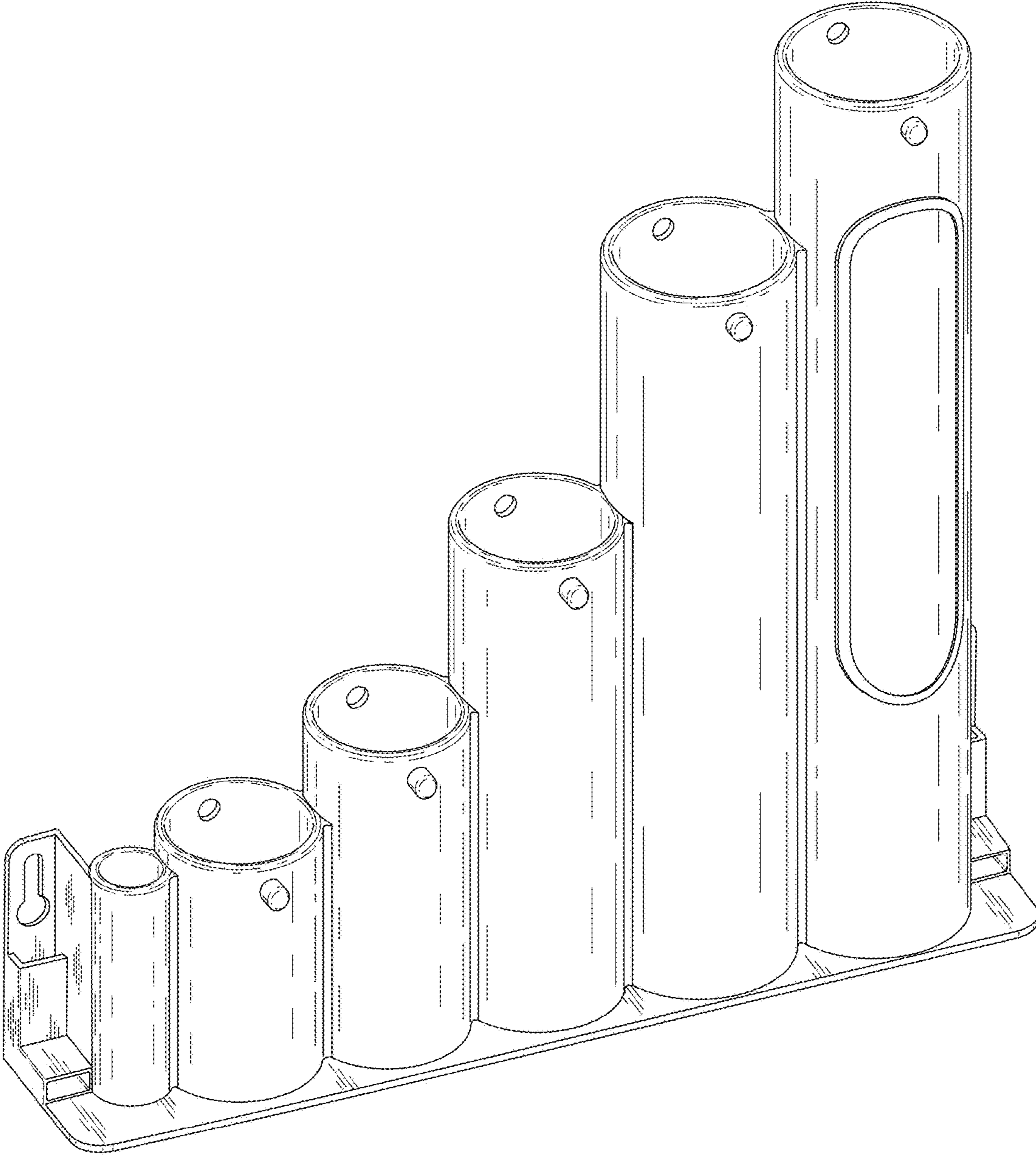
(56)

**References Cited**

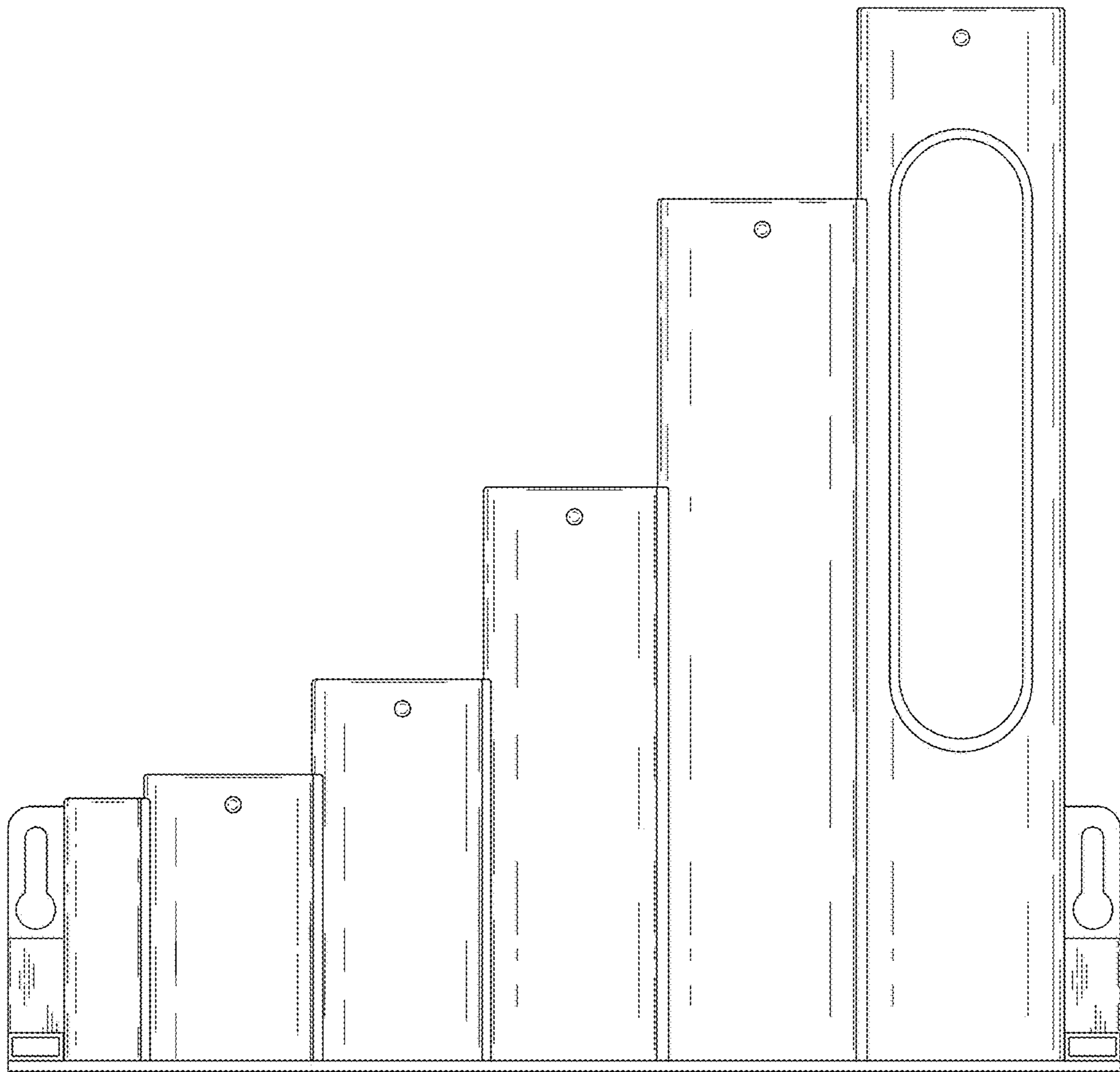
U.S. PATENT DOCUMENTS

2009/0008280 A1 1/2009 Nilferli et al.  
2016/0263740 A1 9/2016 Sackfield

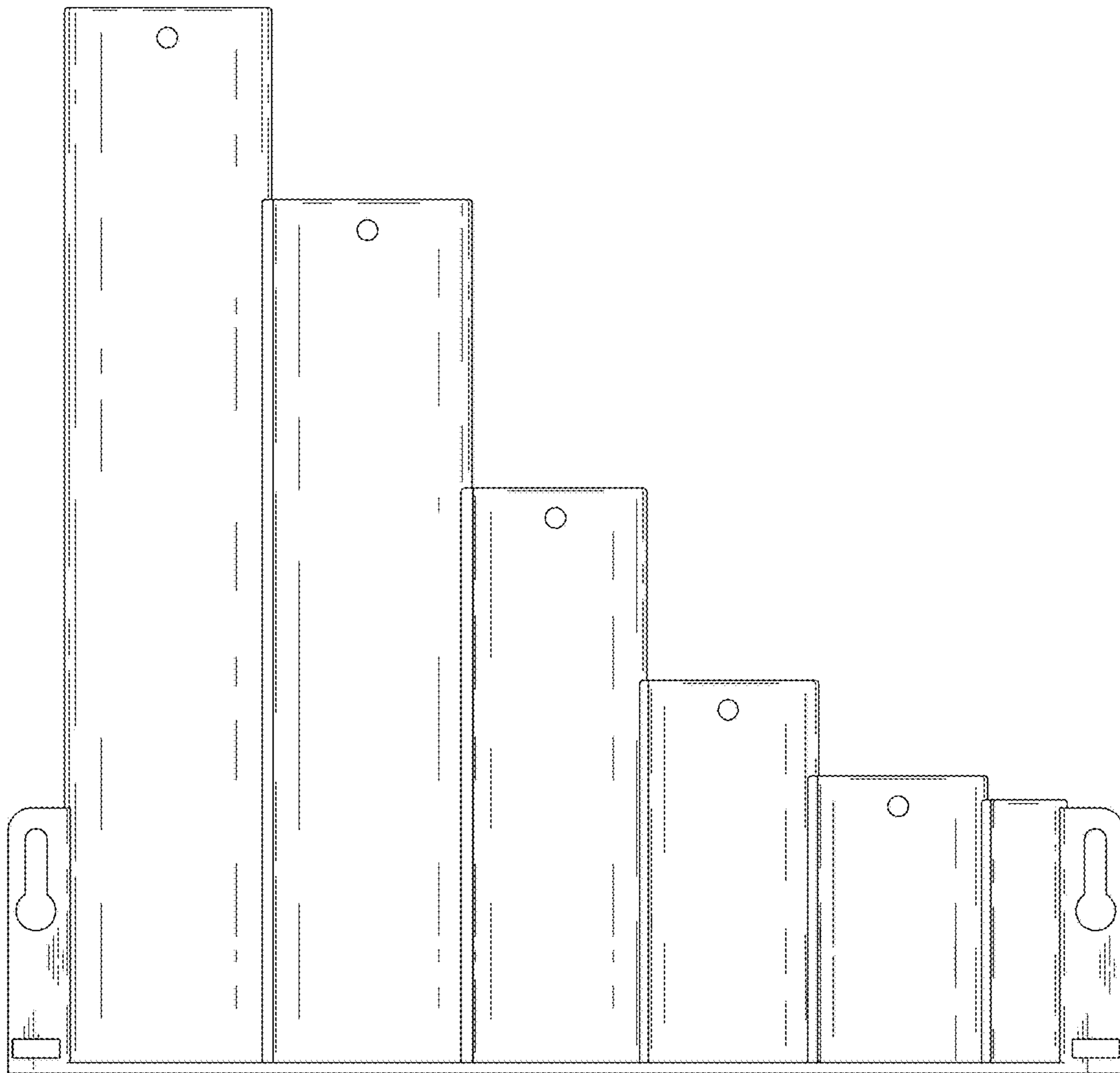
\* cited by examiner



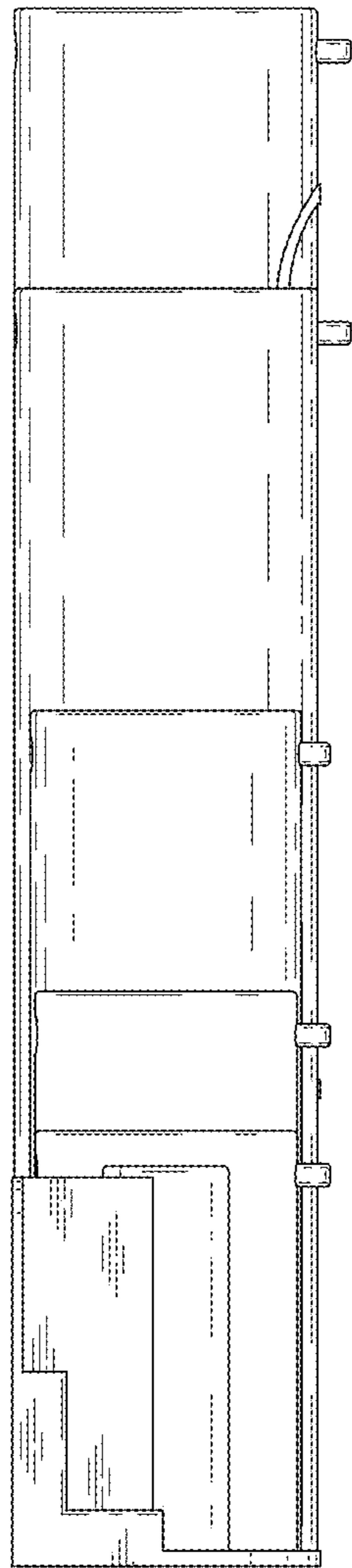
*Fig. 1*



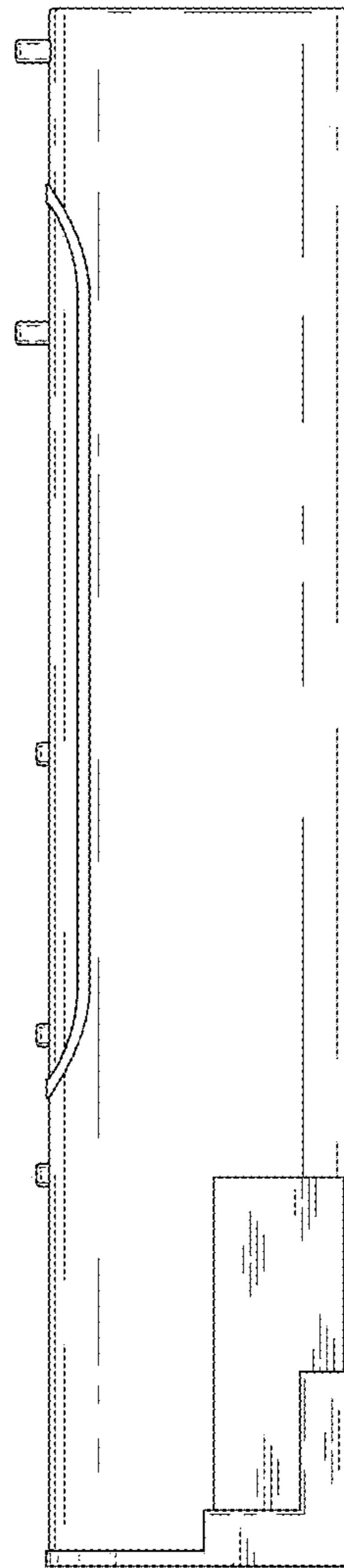
*Fig. 2*



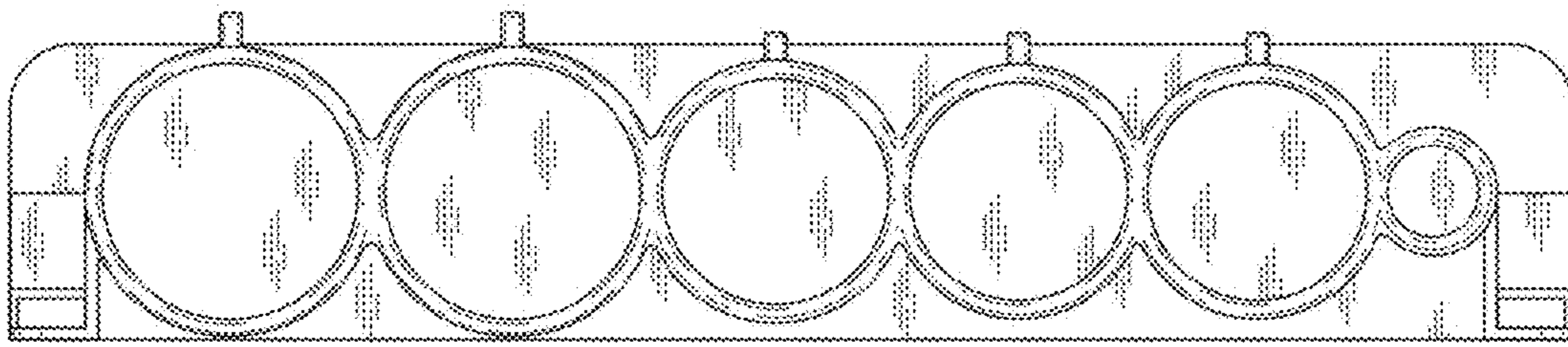
*Fig. 3*



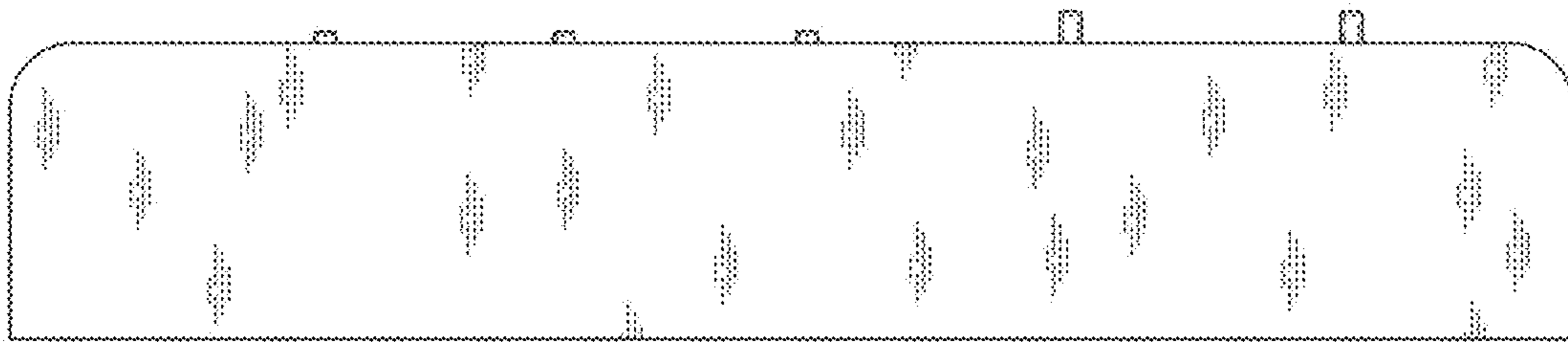
*Fig. 4*



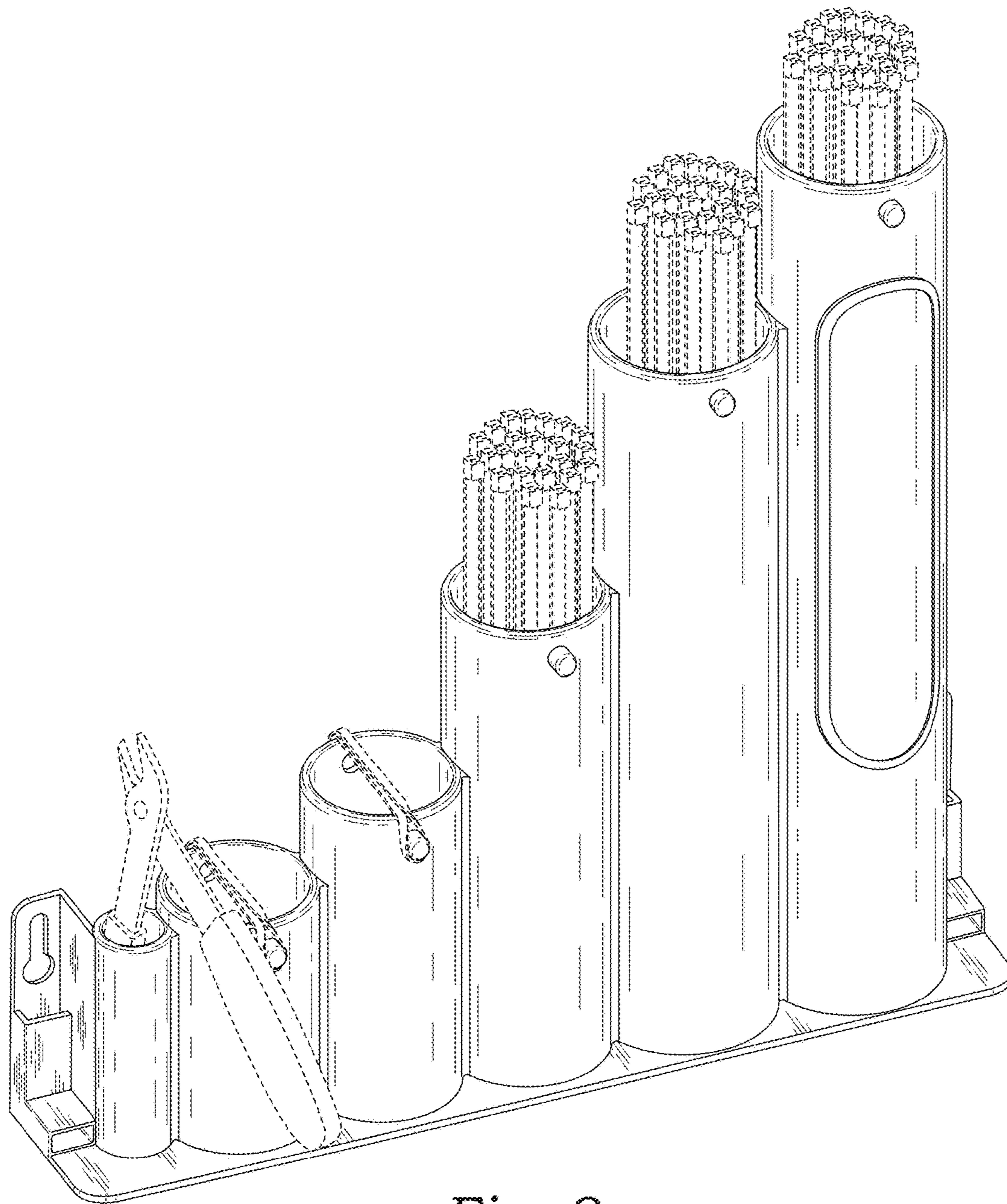
*Fig. 5*



*Fig. 6*



*Fig. 7*



*Fig. 8*