



US00D839028S

(12) **United States Design Patent** (10) **Patent No.:** **US D839,028 S**
Schooley, Jr. (45) **Date of Patent:** **** Jan. 29, 2019**

(54) **GUN CABINET** 7,478,892 B2 * 1/2009 Punzel A47B 81/005
211/64
(71) Applicant: **Robert A. Schooley, Jr.**, Raleigh, NC D636,615 S * 4/2011 Grela D34/20
(US) D653,051 S * 1/2012 Lin D6/661
RE44,568 E * 11/2013 Stepp A47B 81/005
(72) Inventor: **Robert A. Schooley, Jr.**, Raleigh, NC D723,841 S * 3/2015 Troyner D6/671.2
(US) D741,624 S * 10/2015 Freimuth D6/671.1
2016/0198852 A1 * 7/2016 Liu A47B 9/04
312/317.3
(**) Term: **15 Years** 2016/0198853 A1 * 7/2016 Liu A47B 83/00
312/317.3
(21) Appl. No.: **29/558,182**

(22) Filed: **Mar. 15, 2016**

(51) **LOC (11) Cl.** **06-04**

(52) **U.S. Cl.**

USPC **D6/663**

(58) **Field of Classification Search**

USPC D6/662, 663, 519, 559-561, 699,
D6/334-336, 349, 351, 352, 358, 360,
D6/364, 365, 366, 374, 375, 379, 380,
D6/611, 646, 657, 661, 662.1, 672, 674,
D6/675, 675.1, 675.3, 683, 683.1, 685,
D6/691, 691.5, 702, 708, 708.2, 708.21,
D6/708.25, 716, 716.1-716.4; D34/20,
D34/17, 19; D24/184

CPC H02B 1/30; A47B 83/00; A47B 81/005;
A47B 9/04; B67D 1/0006; E05B 65/468

See application file for complete search history.

(56) **References Cited**

U.S. PATENT DOCUMENTS

2,958,423 A * 11/1960 Caloiero A47B 81/005
211/4
D283,263 S * 4/1986 Richey D34/19
D408,538 S * 4/1999 Simpkins D24/184
6,354,341 B1 * 3/2002 Saveliev B67D 1/0006
141/104
6,374,649 B1 * 4/2002 Holcomb E05B 65/468
312/215

OTHER PUBLICATIONS

“WESTEC 2013: MM2 Storage Cabinet” Aug. 9, 2013, sme.org,
site visited Mar. 27, 2017 <<http://www.sme.org/MEMagazine/Article.aspx?id=74652&taxid=3013>>.*

* cited by examiner

Primary Examiner — Kevin K Rudzinski
Assistant Examiner — Paul D Bohannon
(74) *Attorney, Agent, or Firm* — Forrest Firm

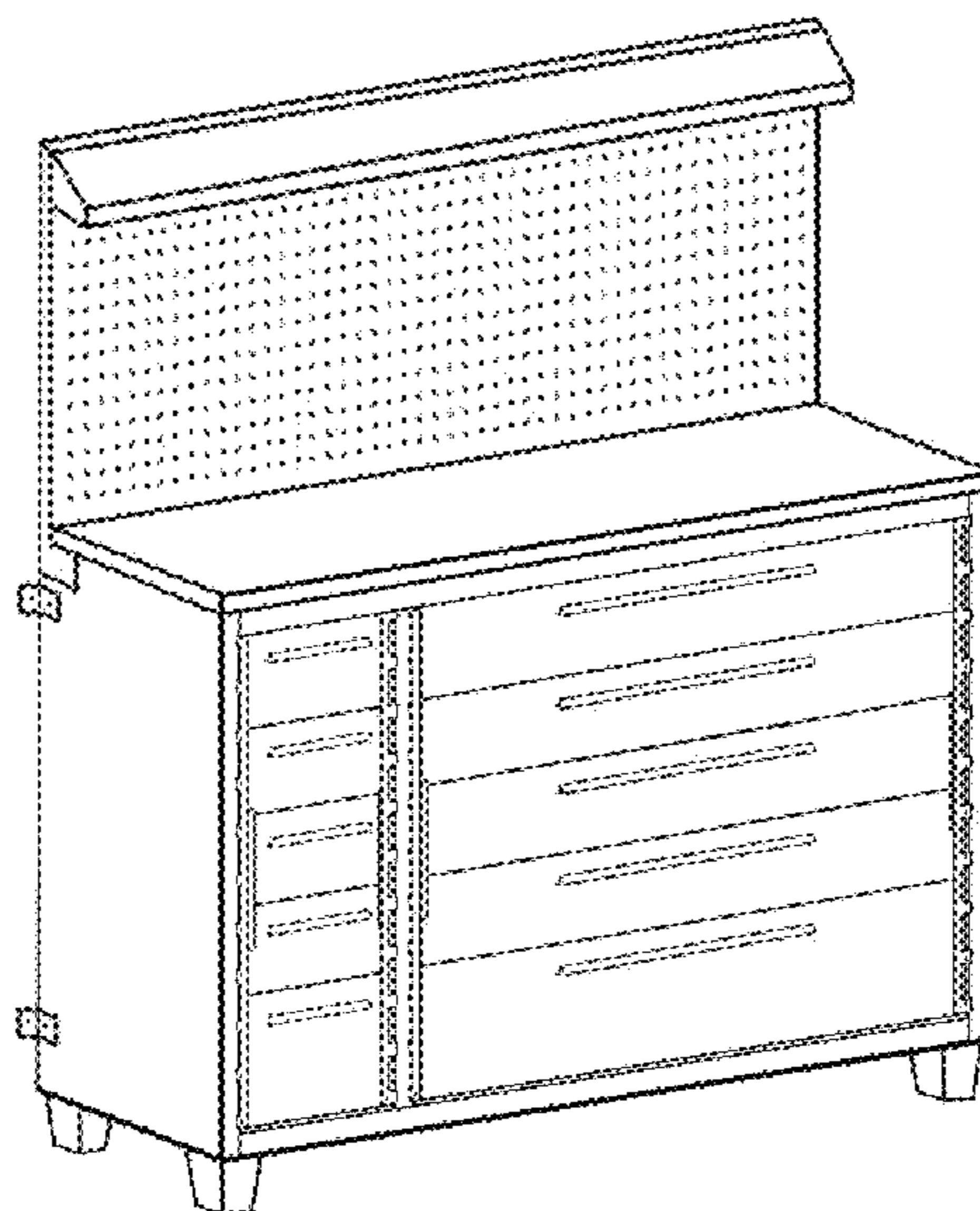
(57) **CLAIM**

The ornamental design for a gun cabinet, as shown and described.

DESCRIPTION

FIG. 1 is a front elevation view of a gun cabinet;
FIG. 2 is a side elevation view thereof;
FIG. 3 is another side elevation view thereof;
FIG. 4 is a rear elevation view thereof;
FIG. 5 is a bottom plan view thereof;
FIG. 6 is a top plan view thereof; and,
FIG. 7 is a front perspective view thereof.

1 Claim, 7 Drawing Sheets



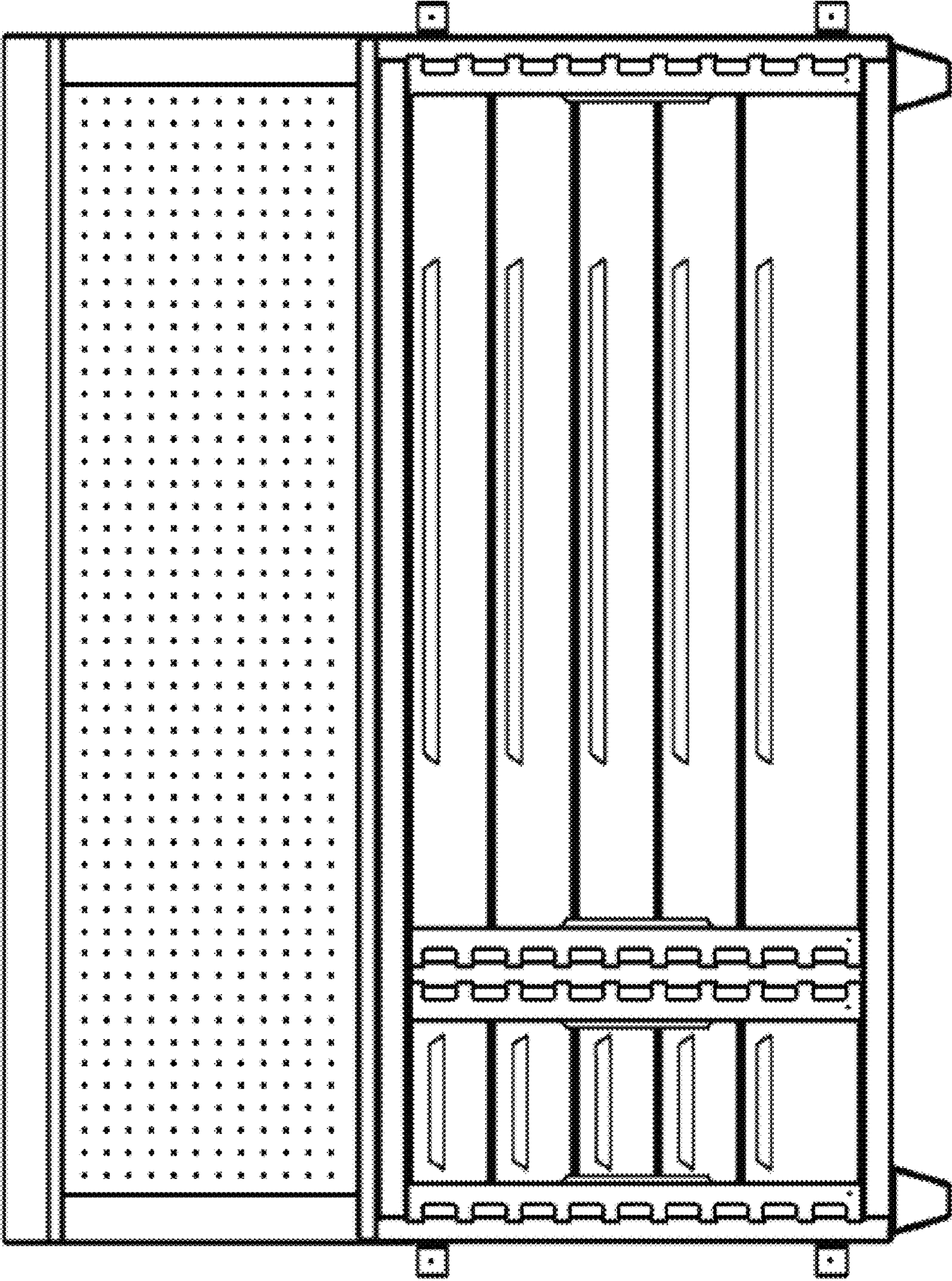


Figure 1

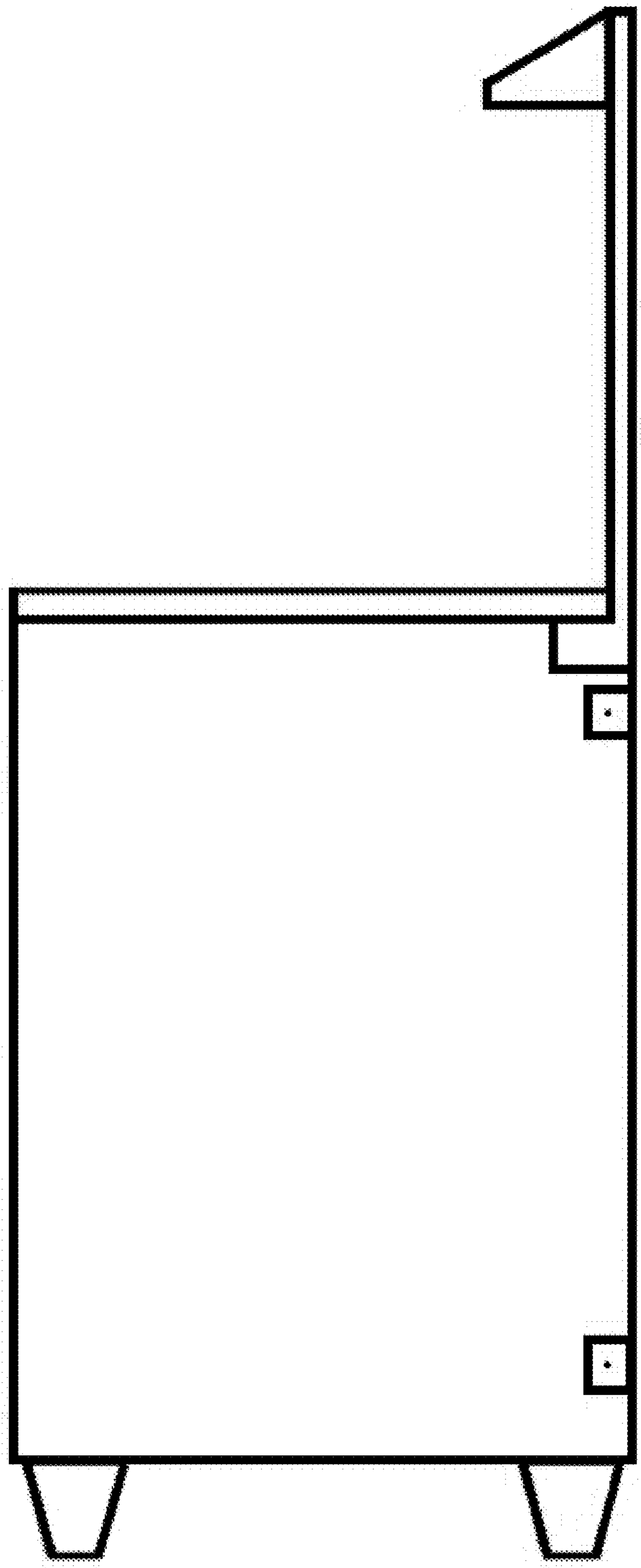


Figure 2

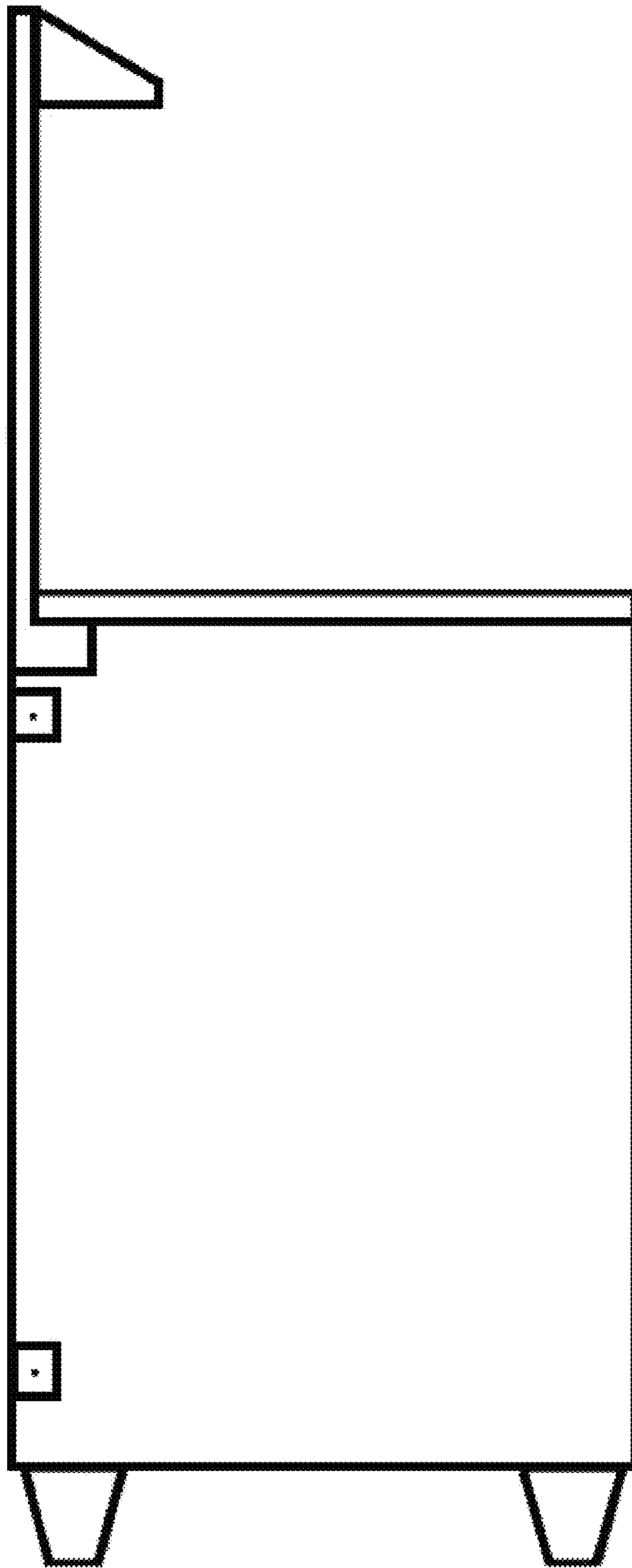


Figure 3

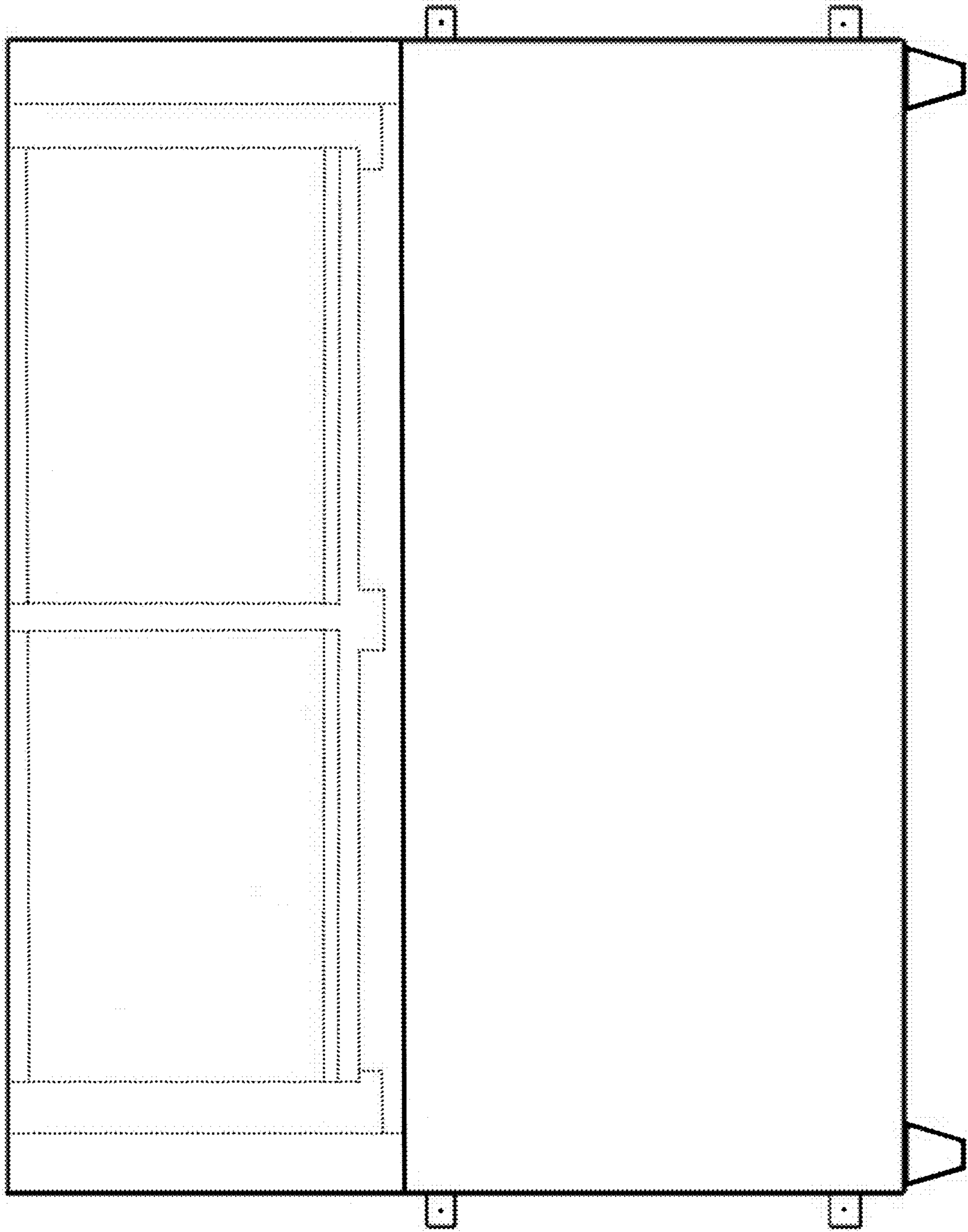


Figure 4

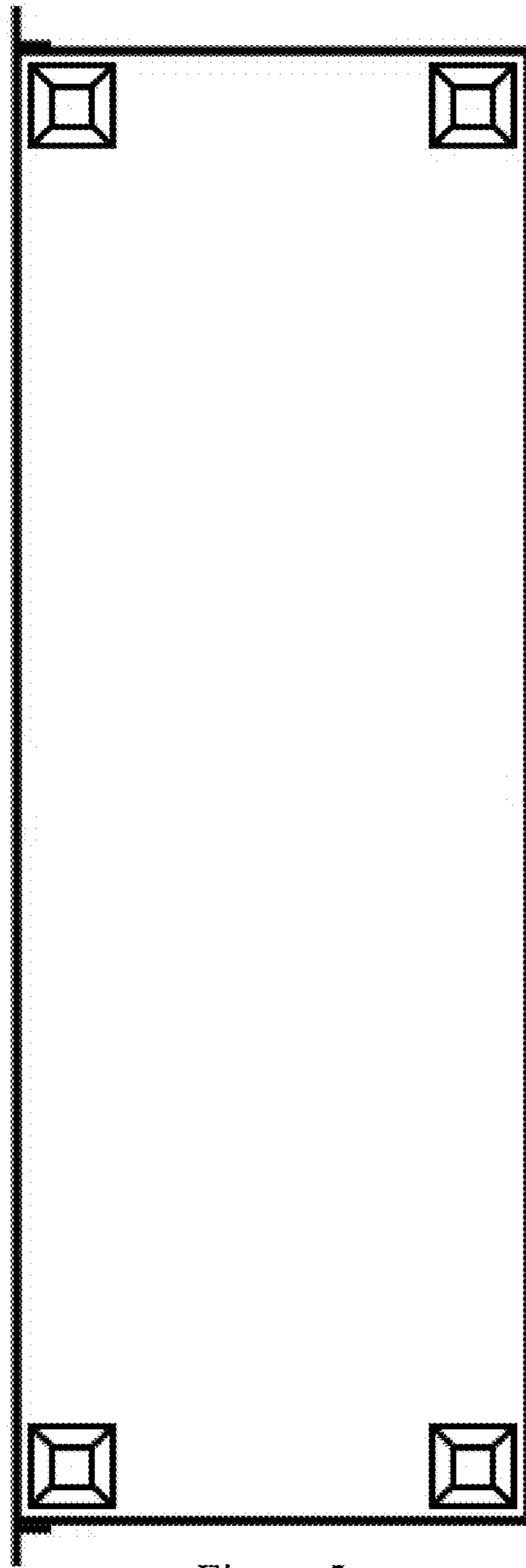


Figure 5

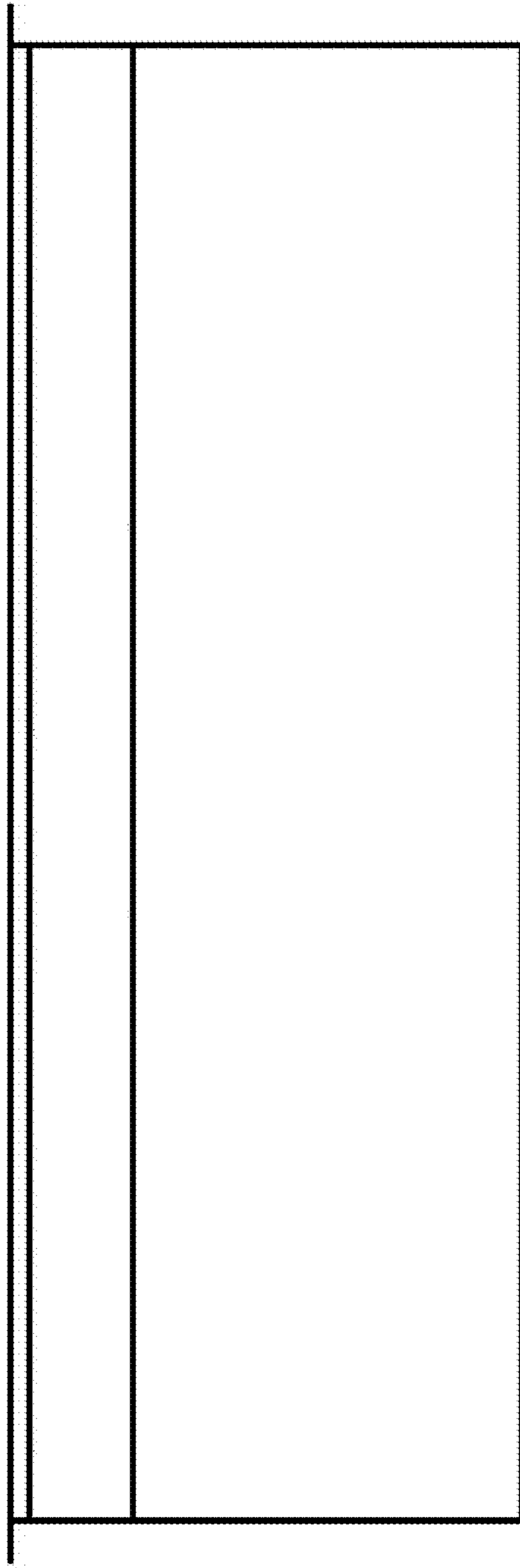


Figure 6

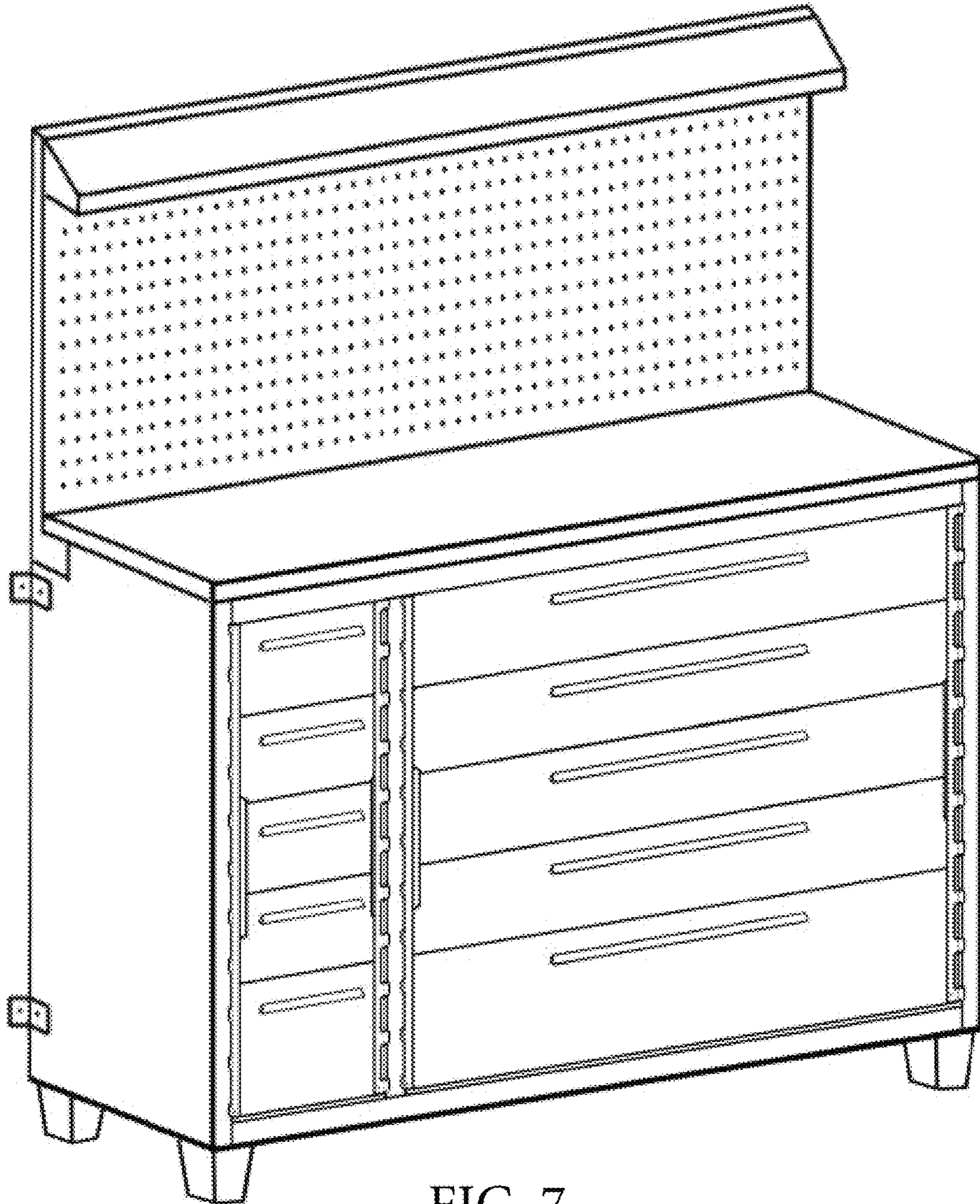


FIG. 7