



US00D839027S

(12) **United States Design Patent**  
**Yamamoto**

(10) **Patent No.:** **US D839,027 S**  
(45) **Date of Patent:** **\*\* Jan. 29, 2019**

(54) **DESK**  
(71) Applicant: **Okamura Corporation**, Yokohama-shi,  
Kanagawa (JP)  
(72) Inventor: **Takayuki Yamamoto**, Yokohama (JP)  
(73) Assignee: **Okamura Corporation**, Yokohama-shi,  
Kanagawa (JP)  
(\*\*) Term: **15 Years**

D330,124 S \* 10/1992 Short ..... D6/648.3  
D371,029 S \* 6/1996 Pagett ..... D6/707.22  
D400,371 S \* 11/1998 Robinson ..... D6/648  
6,119,989 A \* 9/2000 Hollington ..... A47B 13/02  
248/170  
6,349,907 B1 \* 2/2002 Hollington ..... A47B 13/02  
248/188.4  
D539,568 S \* 4/2007 Vander Park ..... D6/648  
D606,341 S \* 12/2009 Kitada ..... D6/648  
D726,464 S \* 4/2015 Lin ..... D6/709  
D779,238 S \* 2/2017 Kamata ..... D6/649  
D788,496 S \* 6/2017 Yamamoto ..... D6/648  
D788,497 S \* 6/2017 Yamamoto ..... D6/648

(21) Appl. No.: **29/627,102**

\* cited by examiner

(22) Filed: **Nov. 22, 2017**

*Primary Examiner* — Mary Ann Calabrese

*Assistant Examiner* — Catherine Ho

(30) **Foreign Application Priority Data**

(74) *Attorney, Agent, or Firm* — Banner & Witcoff, Ltd.

May 24, 2017 (JP) ..... 2017-011092

(51) **LOC (11) Cl.** ..... **06-03**

(57) **CLAIM**

(52) **U.S. Cl.**  
USPC ..... **D6/644**; D6/649

The ornamental design for a desk, as shown and described.

(58) **Field of Classification Search**

**DESCRIPTION**

USPC ..... D6/644, 649, 671, 672, 675, 686, 687,  
D6/688.26, 688.27, 691, 691.1, 691.3,  
D6/691.4, 691.6, 691.8, 691.9, 693, 694,  
D6/695, 695.1, 696, 696.1, 696.3, 697,  
D6/702, 707.15, 708, 708.17, 709, 710  
CPC ..... A47B 13/06; A47B 2013/026; A47B 1/08;  
A47B 2003/0821; A47B 3/087; A47B  
3/0911; A47B 3/0918; A47B 3/14; A47B  
2003/145; A47B 31/04; A47B 47/00;  
A47B 47/02; B62B 3/108; F16B 12/00;  
F16B 12/50; F24B 15/04; H02B 1/26;  
H02B 1/30

See application file for complete search history.

FIG. 1 is a front, top, right side perspective view of a desk showing my new design;  
FIG. 2 is a front, top, left side perspective view thereof;  
FIG. 3 is a front view thereof;  
FIG. 4 is a right side view thereof, the left view thereof being a mirror image;  
FIG. 5 is a top view thereof;  
FIG. 6 is a rear view thereof;  
FIG. 7 is a bottom view thereof;  
FIG. 8 is a cross-sectional view taken along the line 8-8 in FIG. 4; and,  
FIG. 9 is a cross-sectional view taken along the line 9-9 in FIG. 4.

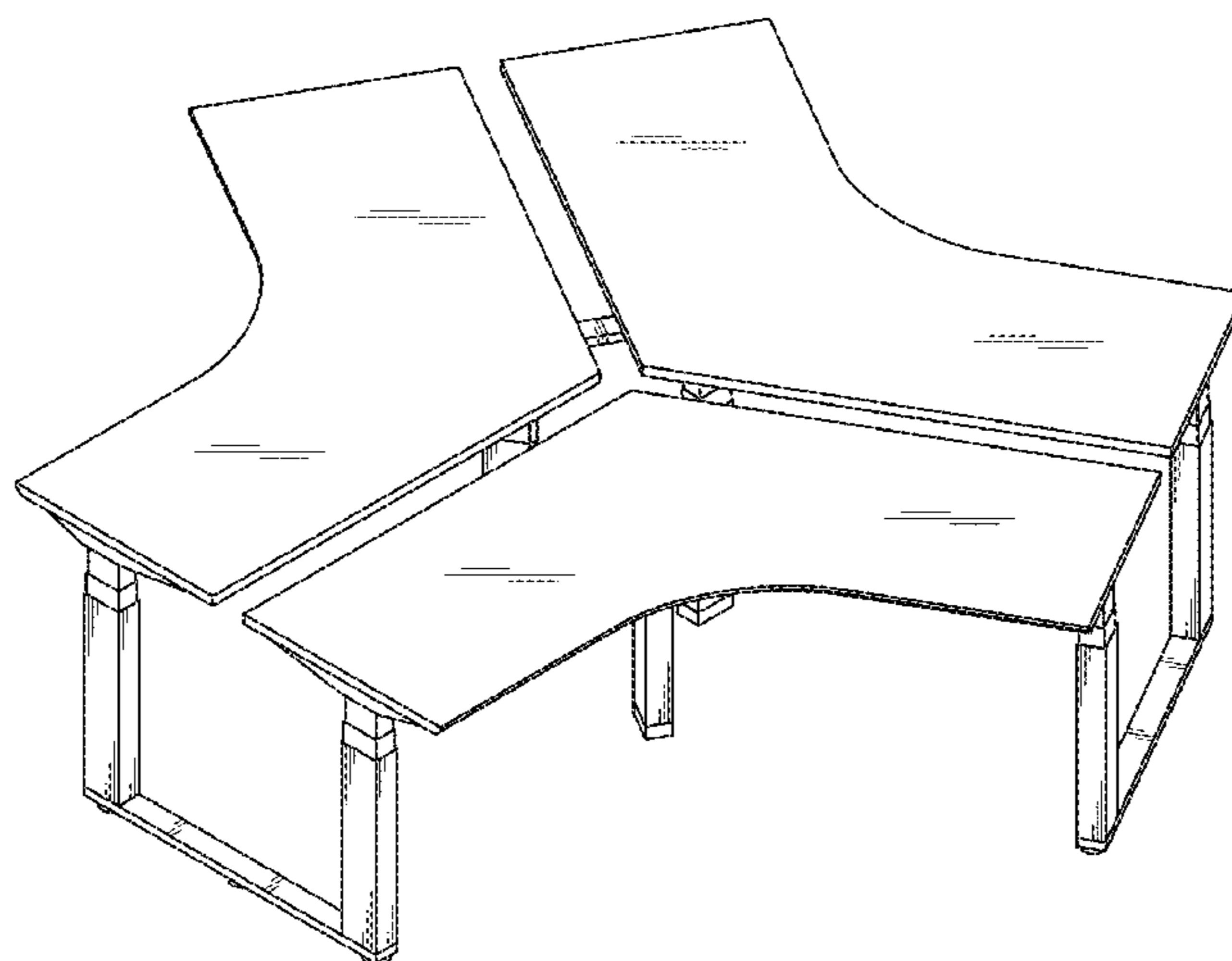
(56) **References Cited**

The broken lines shown in the drawings are included for the purpose of illustrating portions of the desk that form no part of the claimed design.

**U.S. PATENT DOCUMENTS**

D220,802 S \* 5/1971 Hedges ..... D6/648  
D278,770 S \* 5/1985 Koguma ..... D6/648.4

**1 Claim, 9 Drawing Sheets**



**FIG. 1**

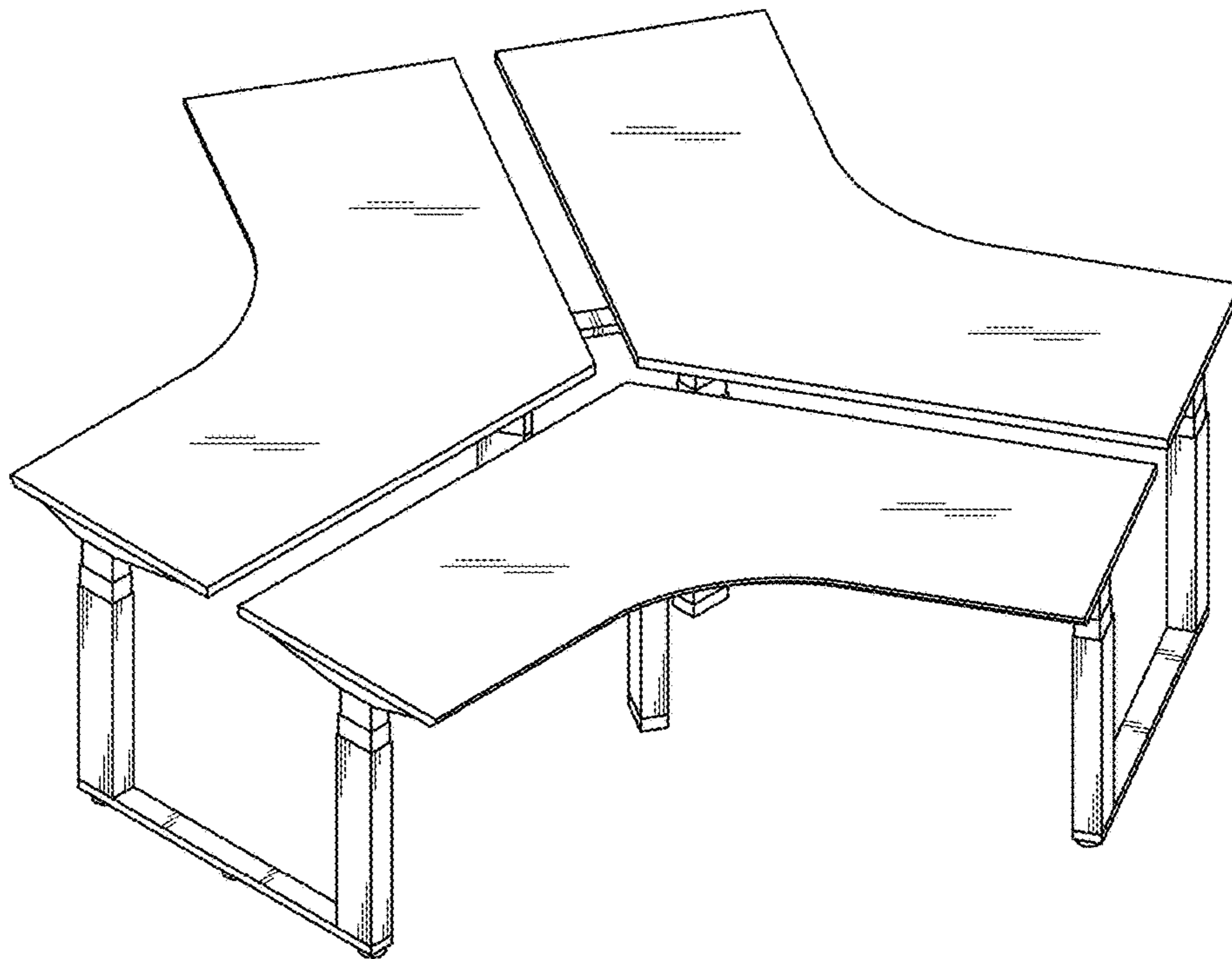
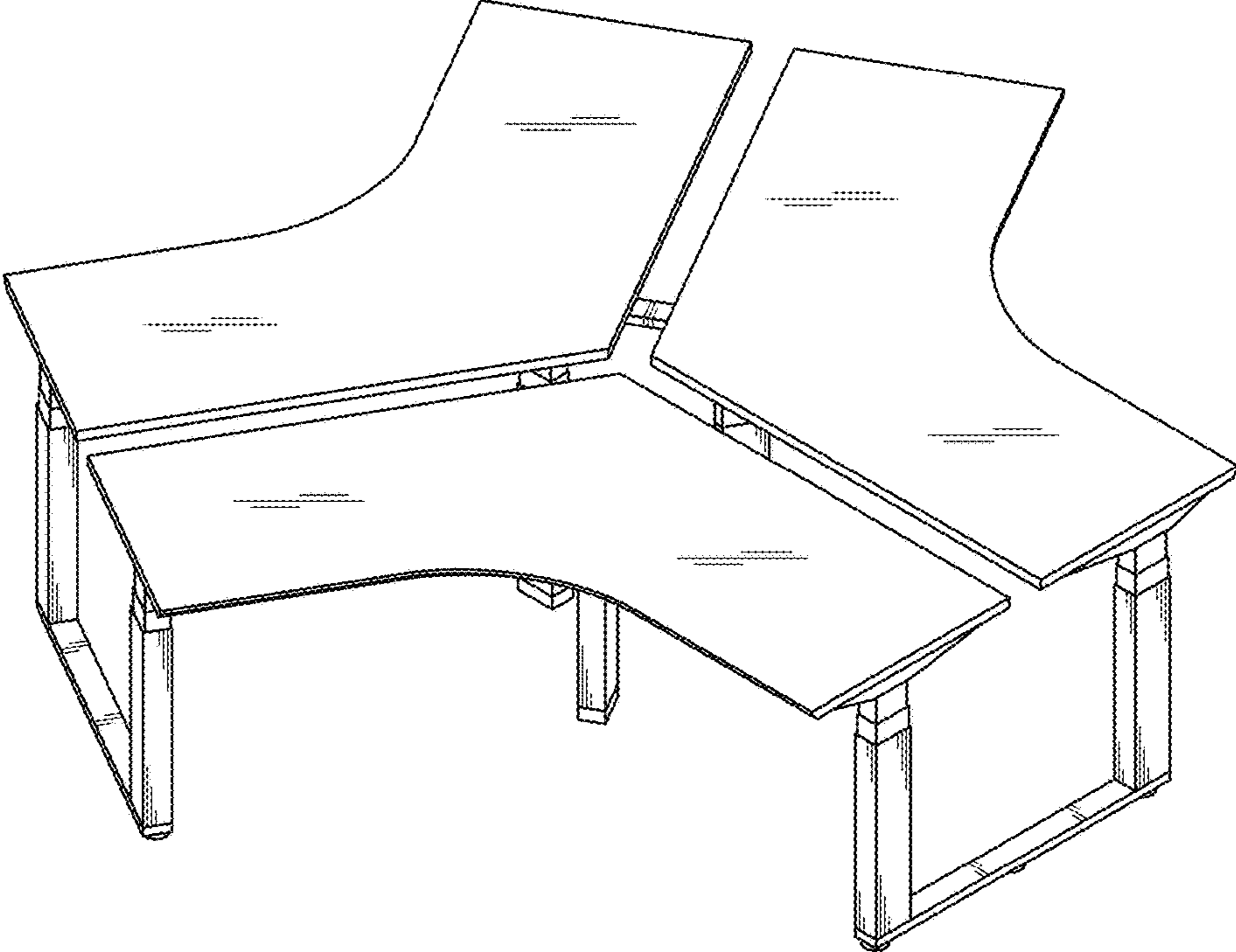


FIG. 2



**FIG. 3**

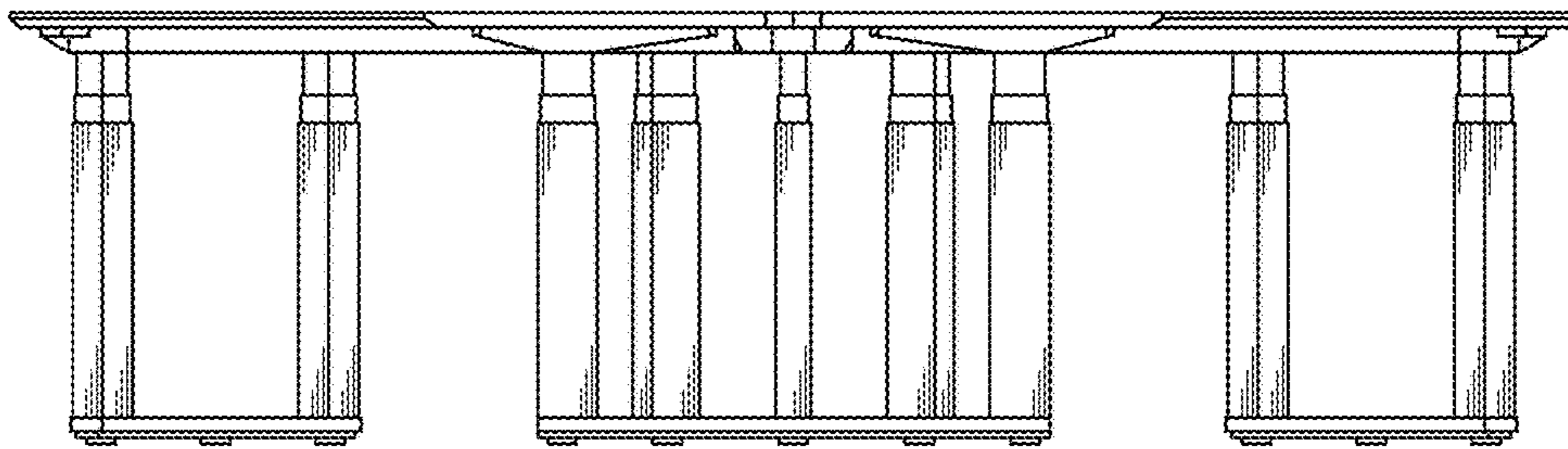


FIG. 4

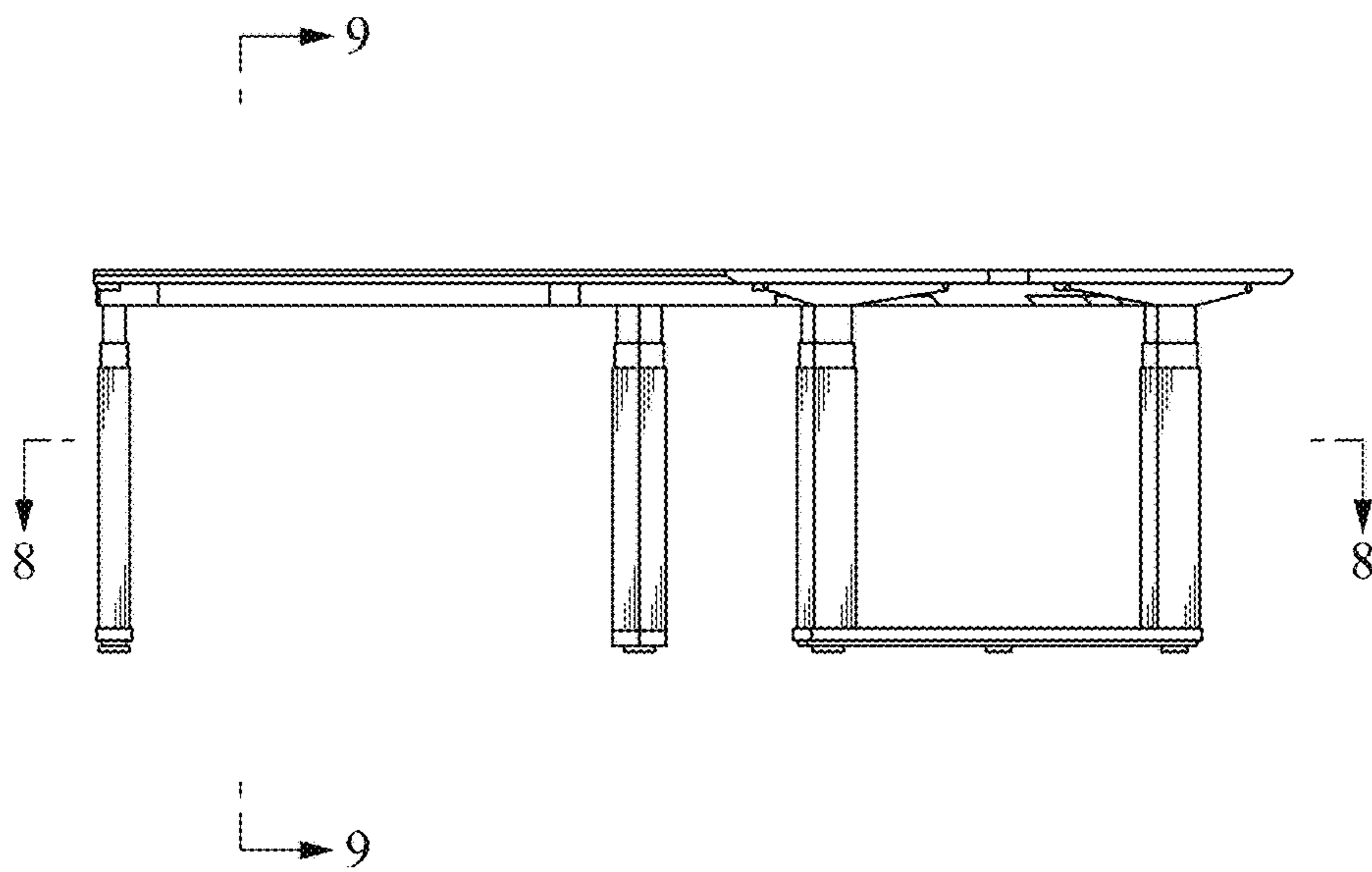


FIG. 5

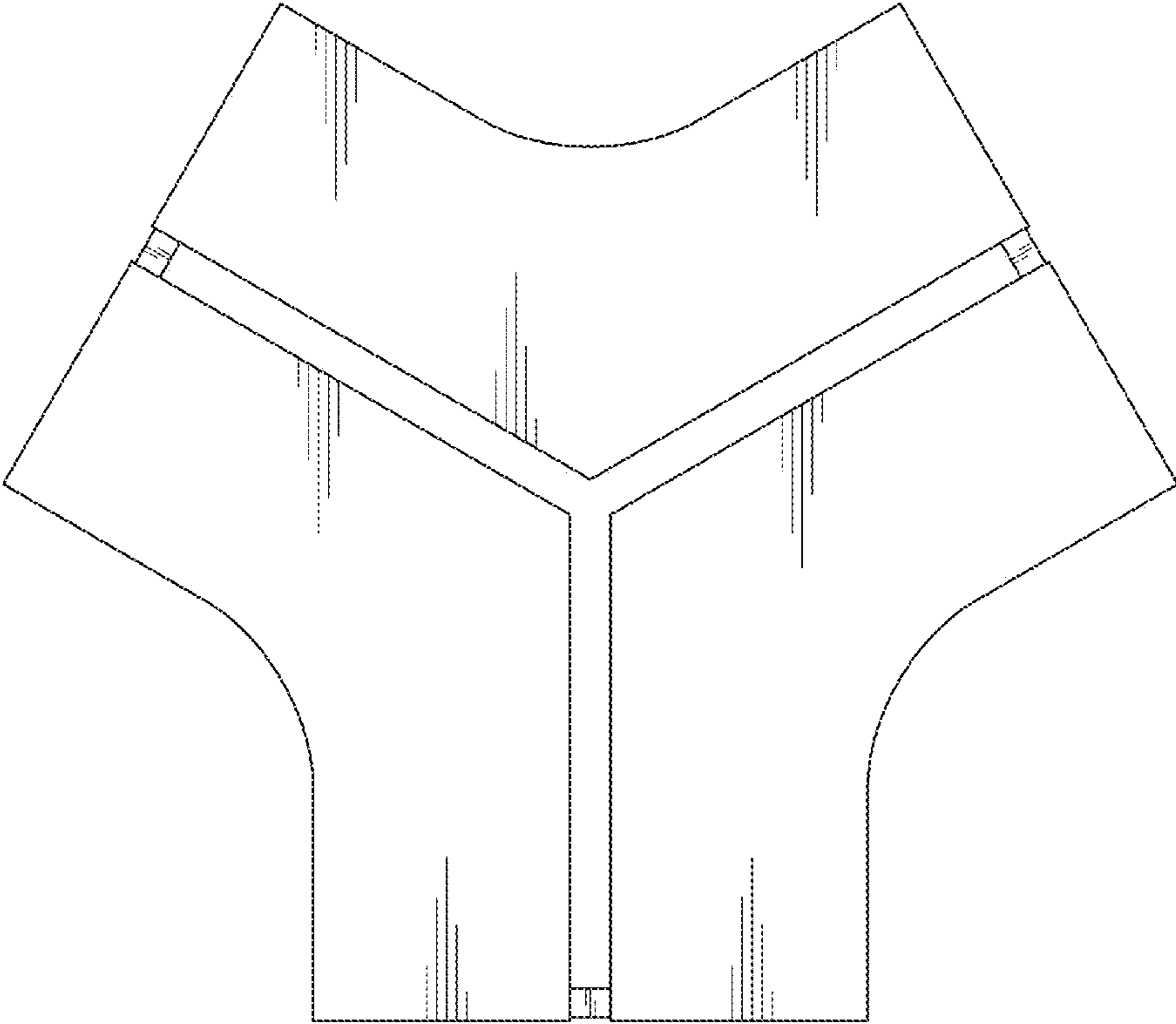


FIG. 6

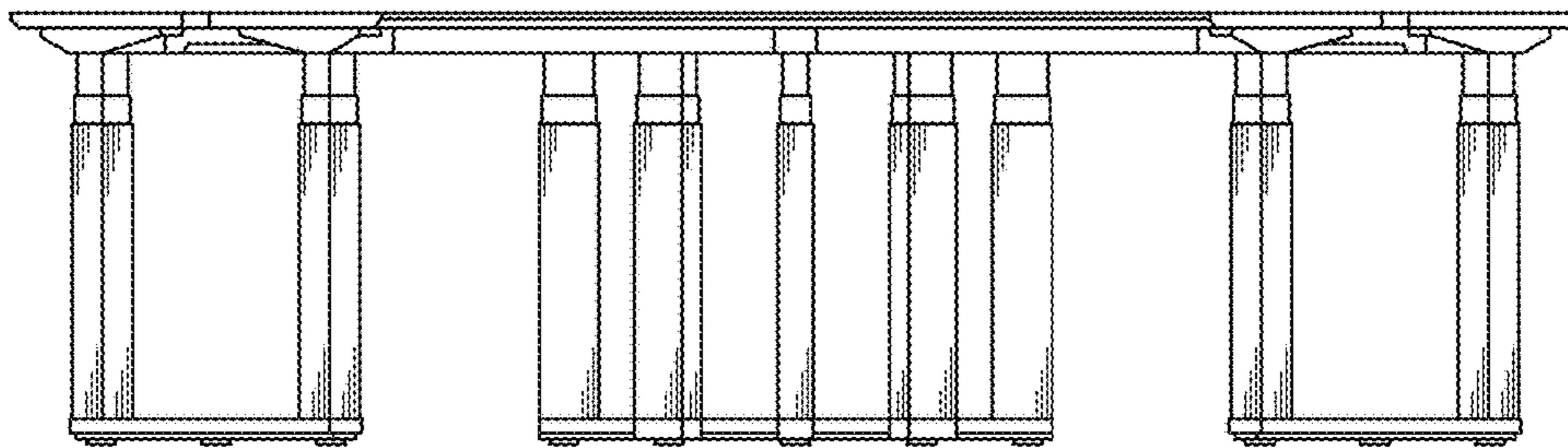


FIG. 7

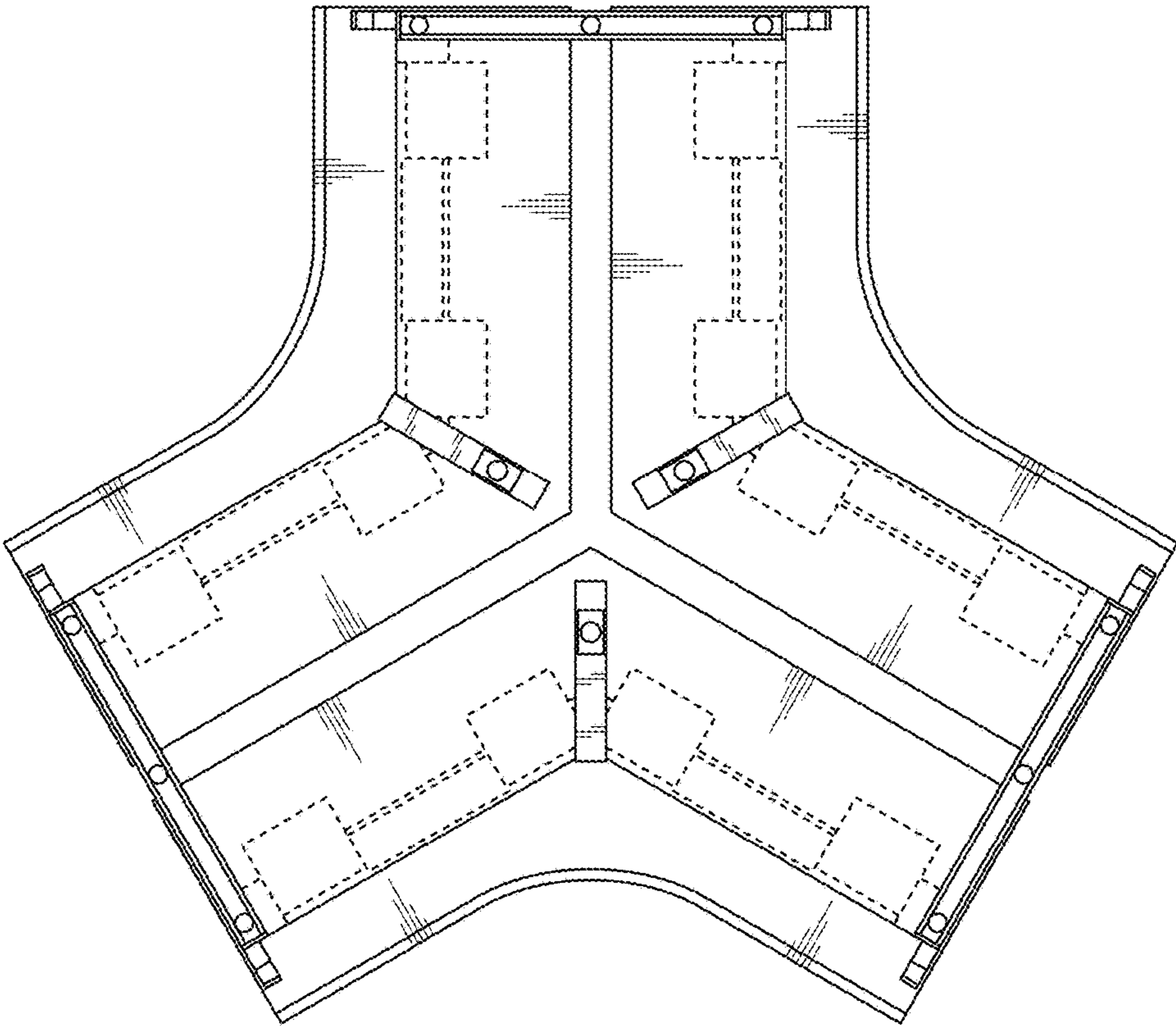




FIG. 8

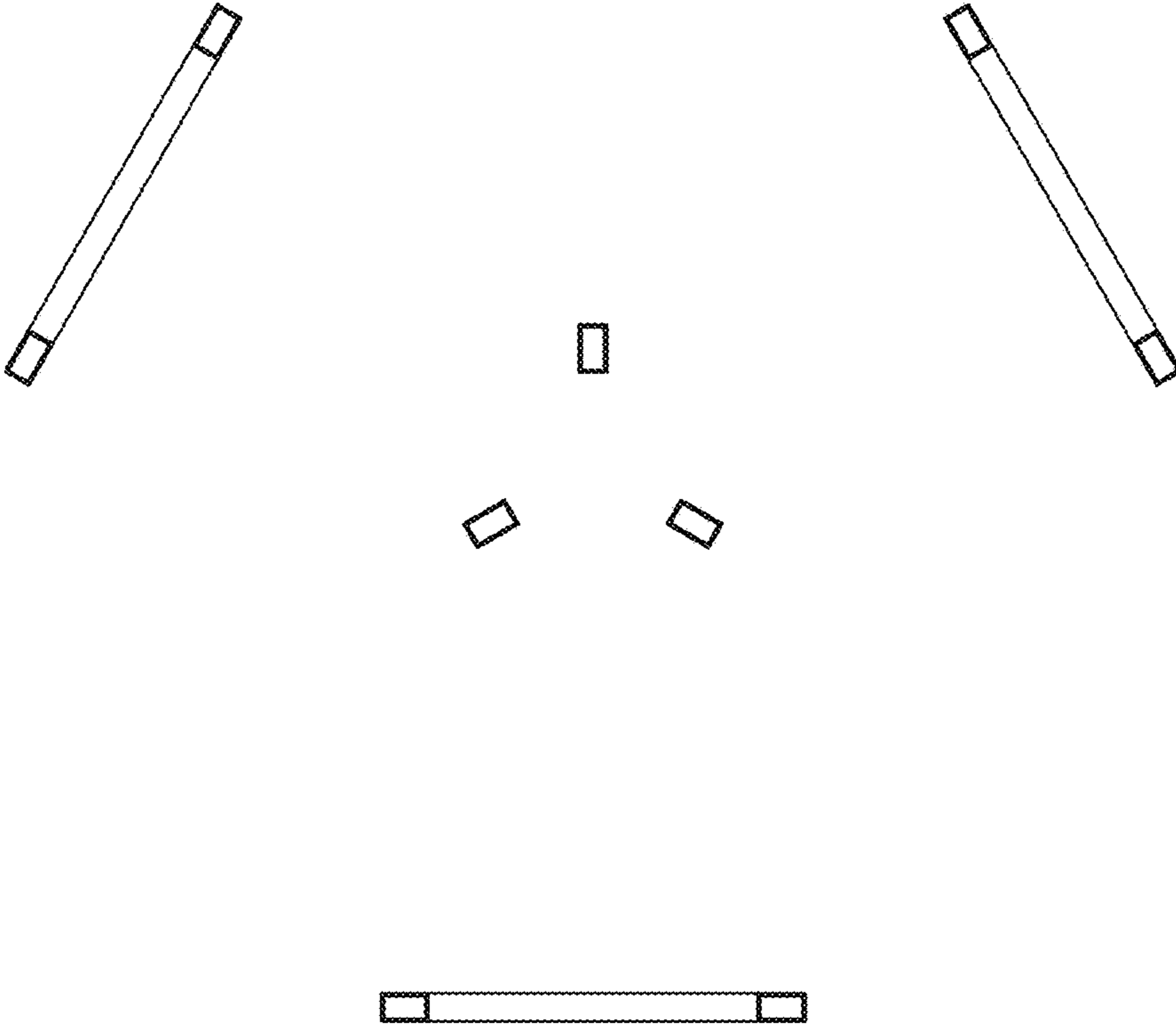


FIG. 9

