



US00D839026S

(12) **United States Design Patent**
Huang

(10) **Patent No.:** **US D839,026 S**

(45) **Date of Patent:** **** Jan. 29, 2019**

(54) **BUTTERFLY PILLOW**

(71) Applicant: **Shenzhen Boanju Household Products Limited**, Shenzhen (CN)

(72) Inventor: **Jiasheng Huang**, Shenzhen (CN)

(73) Assignee: **Shenzhen Boanju Household Products Limited**, Shenzhen (CN)

(**) Term: **15 Years**

(21) Appl. No.: **29/629,670**

(22) Filed: **Dec. 14, 2017**

(51) **LOC (11) Cl.** **06-09**

(52) **U.S. Cl.**
USPC **D6/601**

(58) **Field of Classification Search**
USPC D6/596, 601; 5/631–633, 636–640
CPC A47G 9/10; A47G 9/1009; A47G 2009/1018; A47G 9/1027; A47G 9/1036; A47G 9/1045; A47G 9/1054; A47G 9/1063; A47G 9/1072; A47G 9/1081; A47G 9/109

See application file for complete search history.

(56) **References Cited**

U.S. PATENT DOCUMENTS

D516,855 S * 3/2006 Akamatsu D6/601
D548,842 S * 8/2007 Elnekaveh D24/188

9,009,897 B2 * 4/2015 Davis A47G 9/10 5/636
D750,397 S * 3/2016 Werner D6/601
D758,101 S * 6/2016 Mason D6/601
D812,931 S * 3/2018 Chen D6/601
D815,860 S * 4/2018 Krishtul D6/601
D818,289 S * 5/2018 Facco D6/601
D818,290 S * 5/2018 Facco D6/601

* cited by examiner

Primary Examiner — R. Johnson

(74) *Attorney, Agent, or Firm* — Schmeiser, Olsen & Watts, LLP

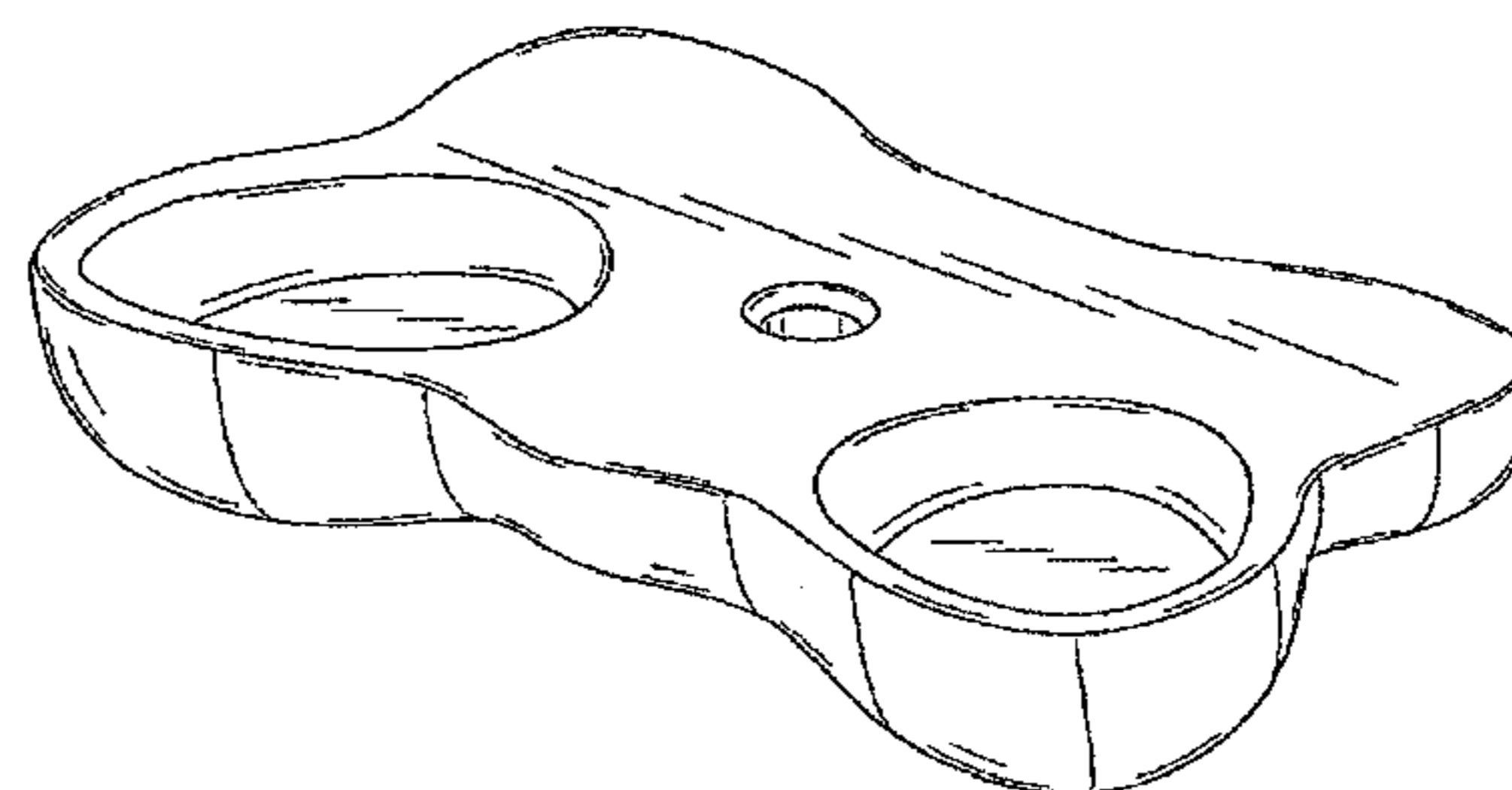
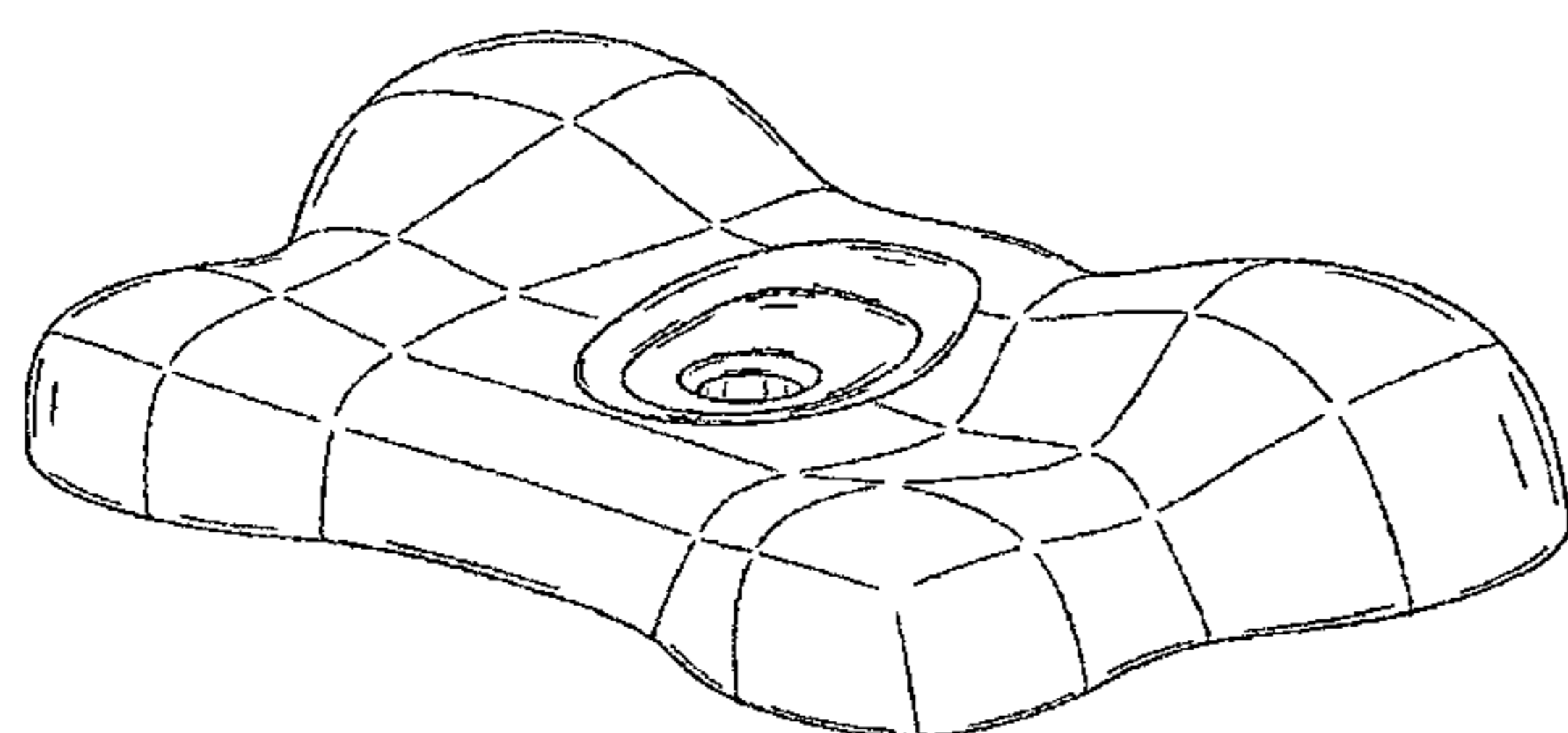
(57) **CLAIM**

The ornamental design for a butterfly pillow, as shown and described.

DESCRIPTION

FIG. 1 is a top and right perspective view of a butterfly pillow showing my new design;
FIG. 2 is a bottom and left perspective view thereof;
FIG. 3 is a front elevational view thereof;
FIG. 4 is a rear elevational view thereof;
FIG. 5 is a top plan view thereof;
FIG. 6 is a bottom plan view thereof;
FIG. 7 is a left side view thereof; and,
FIG. 8 is a right side view thereof.

1 Claim, 8 Drawing Sheets



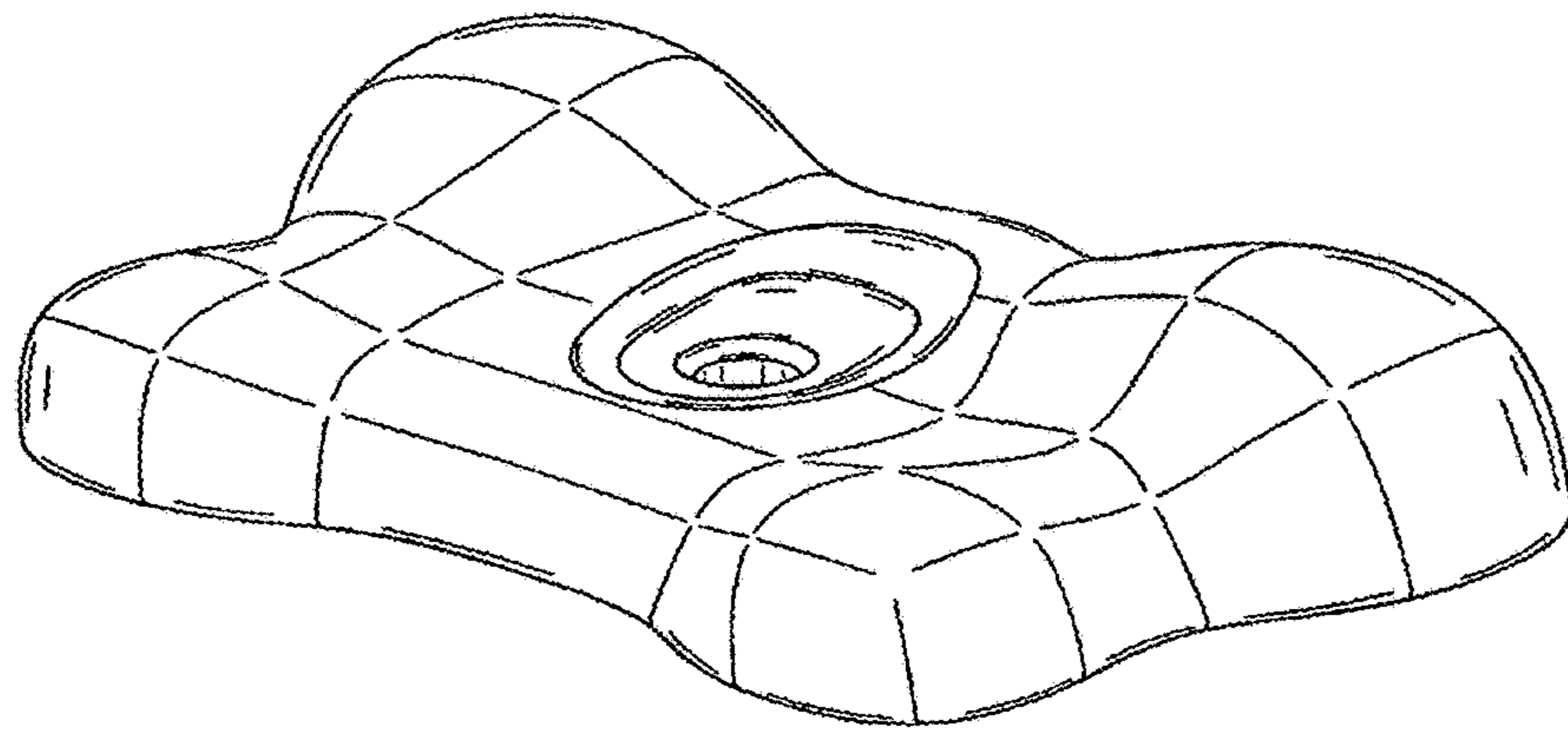


FIG. 1

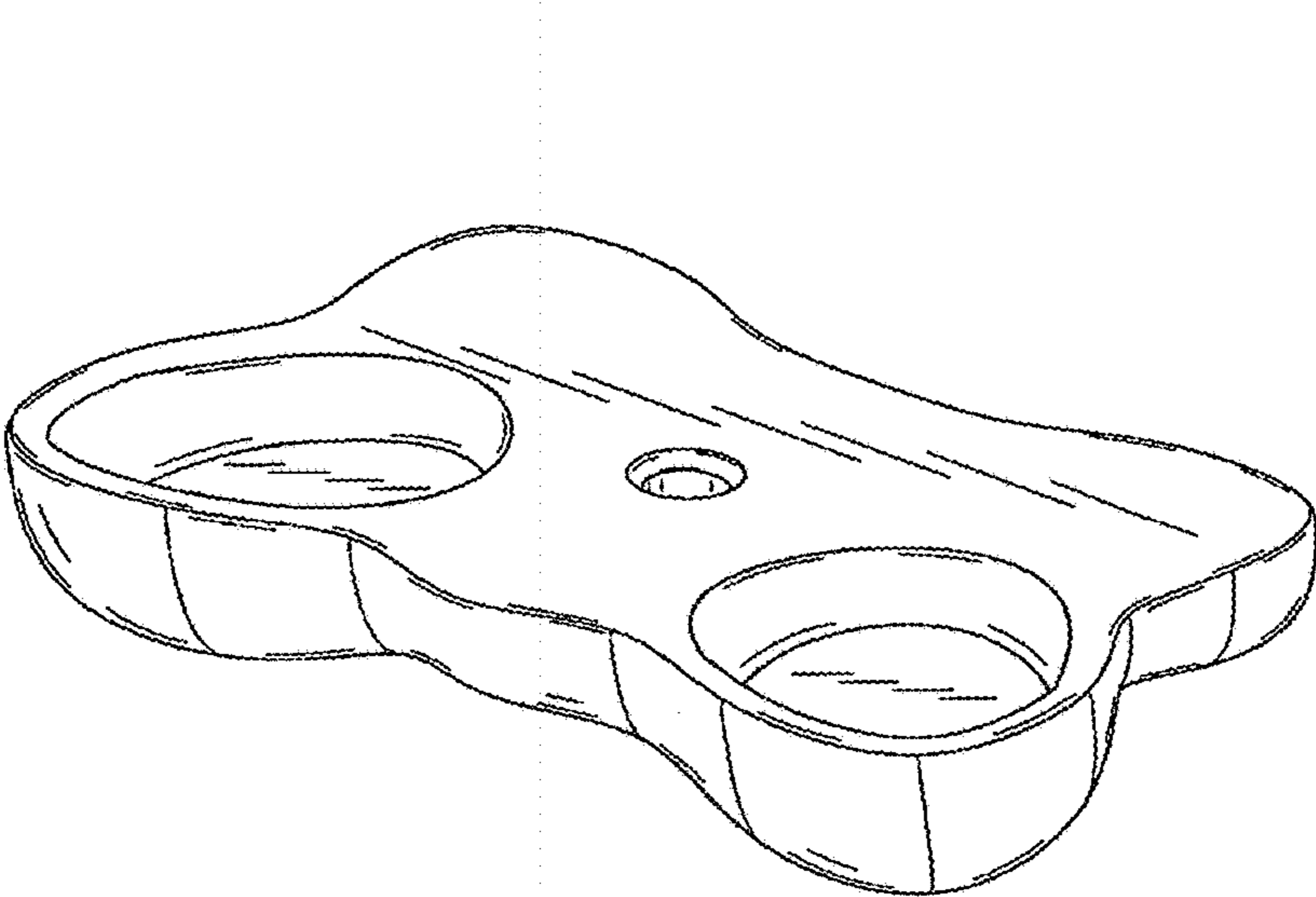


FIG. 2

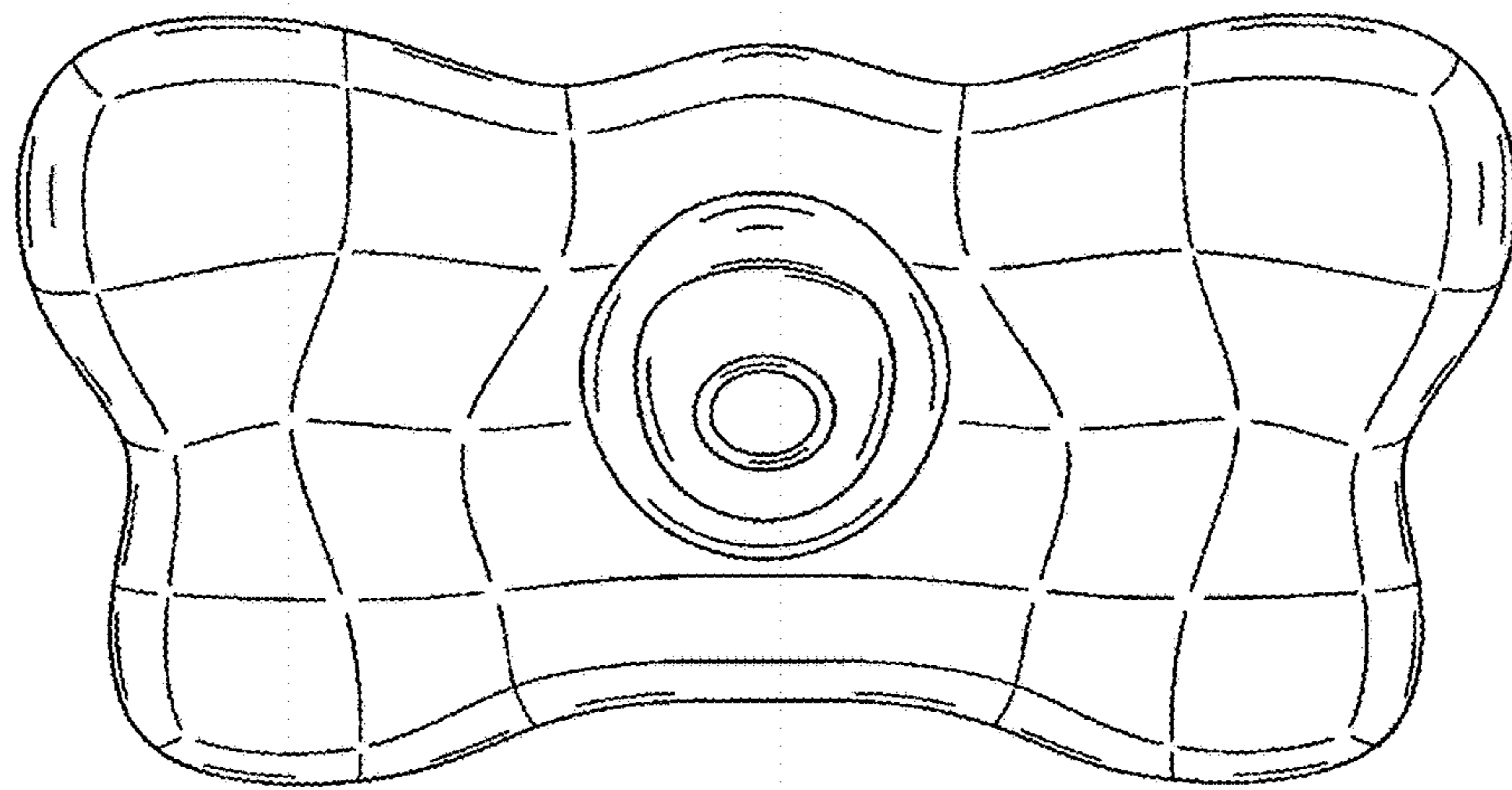


FIG 3

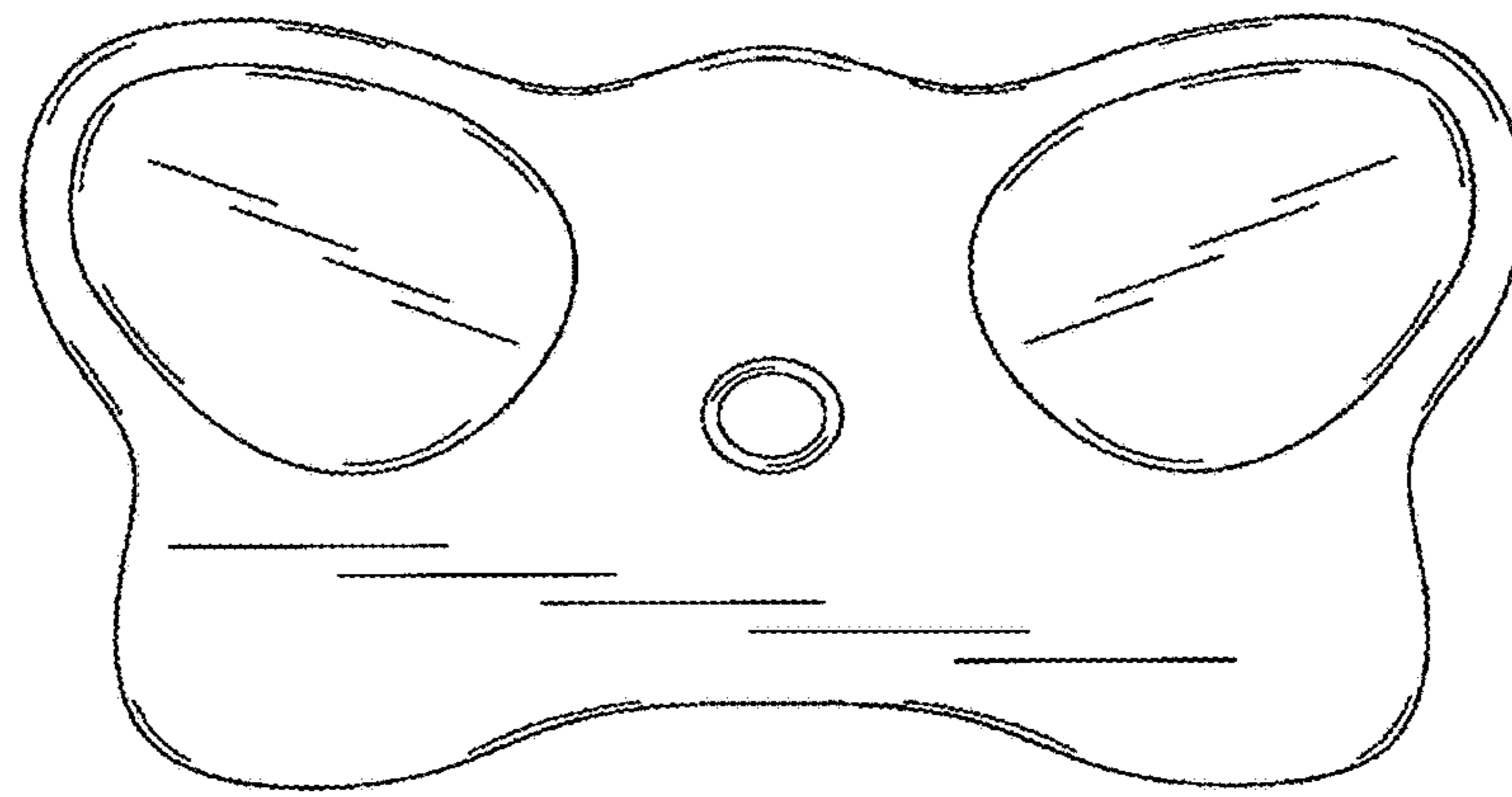


FIG 4

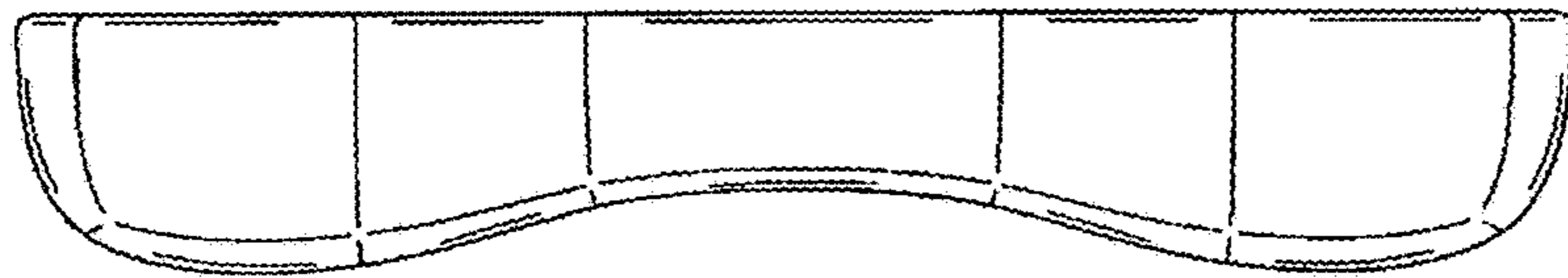


FIG 5

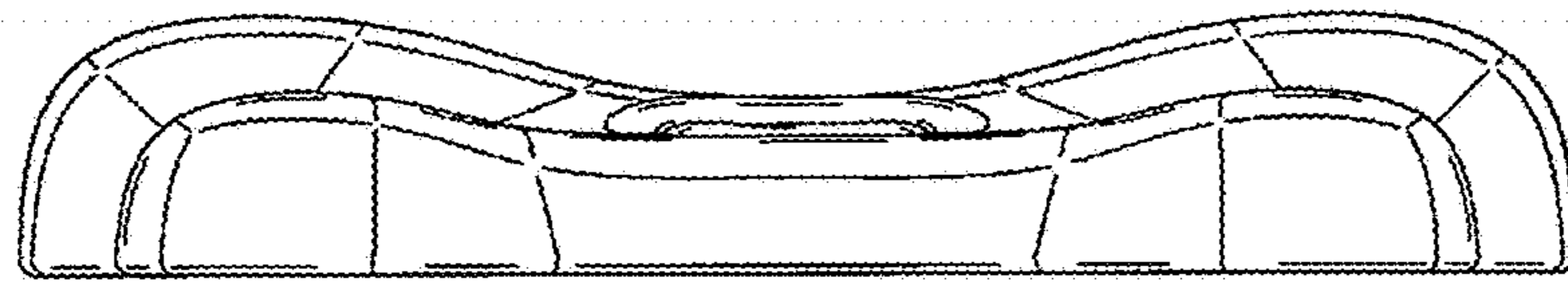


FIG 6

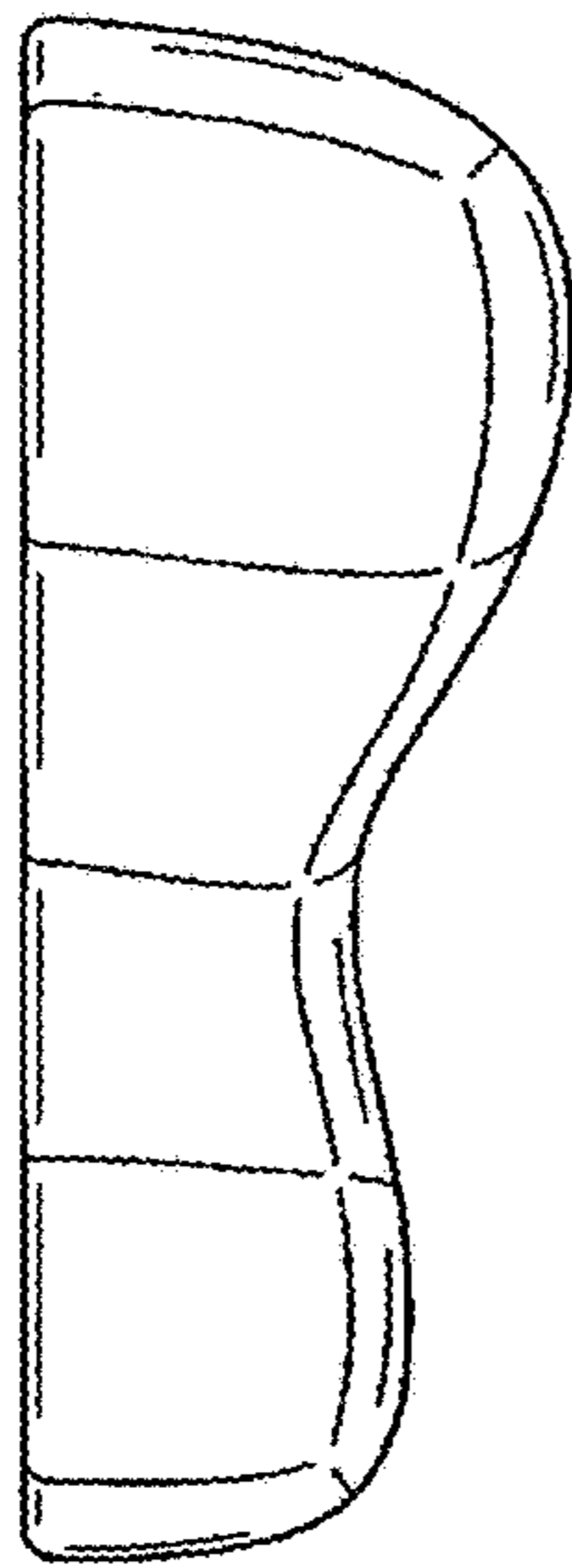


FIG 7

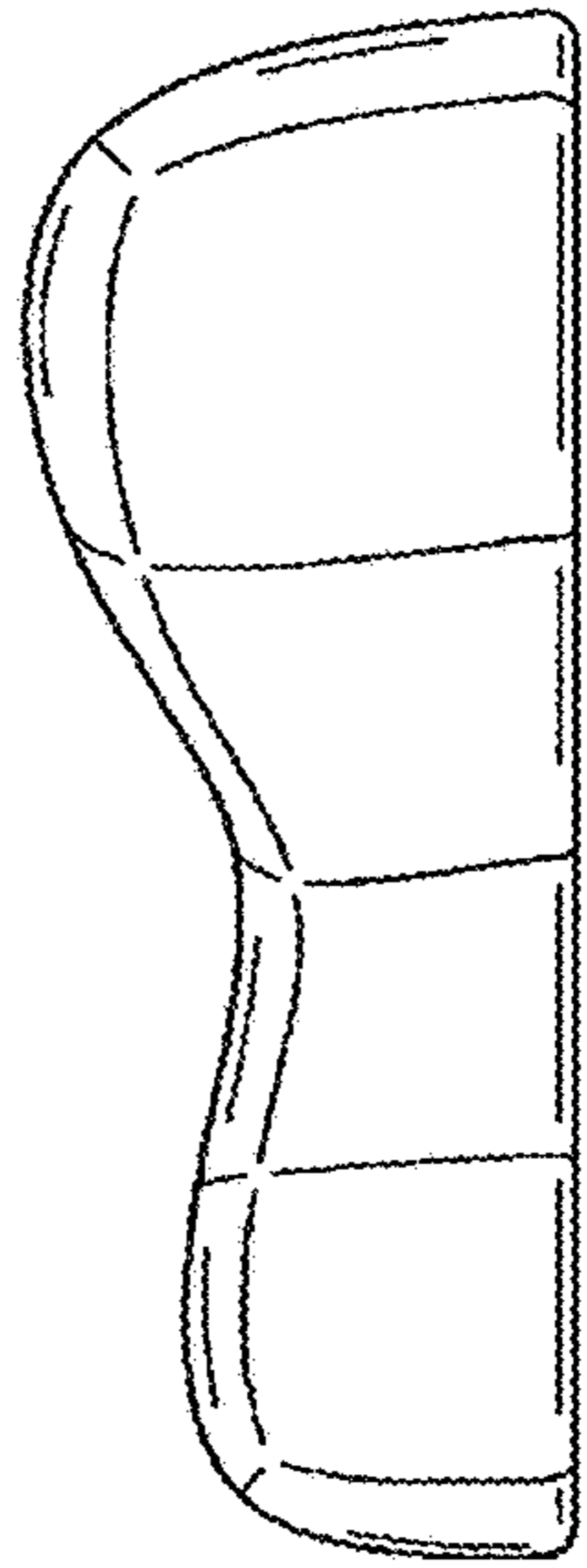


FIG 8