



US00D839025S

(12) **United States Design Patent**
Casta-Báez

(10) **Patent No.:** **US D839,025 S**
(45) **Date of Patent:** **** Jan. 29, 2019**

(54) **CYLINDRICAL PILLOW**

(71) Applicant: **Facel Casta-Báez**, San Juan, PR (US)

(72) Inventor: **Facel Casta-Báez**, San Juan, PR (US)

(**) Term: **15 Years**

(21) Appl. No.: **29/599,342**

(22) Filed: **Apr. 2, 2017**

(51) **LOC (11) Cl.** **06-09**

(52) **U.S. Cl.**

USPC **D6/601**

(58) **Field of Classification Search**

USPC D6/333, 349, 355, 375, 388, 512, 563,
D6/564, 595, 596, 601, 604, 611, 707,
D6/715, 716, 716.1; D24/183–185, 234;
D21/803, 804, 805, 809; 5/401, 420,
5/600, 630, 631, 632, 633, 635, 636, 638,
5/639, 646, 652, 652.1, 655, 703, 730;
297/401, 420, 600, 630, 631, 632, 633,
297/635, 636, 638, 639, 646, 652, 652.1,
297/655, 703, 730

CPC A47G 9/10; A47G 9/1009; A47G 9/1027;
A47G 9/1045; A47G 9/1063; A47G
9/1072; A47G 9/00; A47G 9/02; A47G
9/0207; A47G 9/0215; A47G 9/0223;
A47G 9/023; A47G 9/0238; A47G
9/0246; A47G 9/0253; A47G 9/0261;
A47G 2009/001; A47G 2009/002; A47G
2009/003; A47G 2009/005; A47G
2009/006; A47G 9/06; A47G 9/062;

A47G 9/066; A47G 9/068; A47G 9/08;
A47G 9/0284; A47G 9/0292; A47G 9/04
See application file for complete search history.

(56) **References Cited**

U.S. PATENT DOCUMENTS

2,556,629	A *	6/1951	O'Brien	A47G 9/10 5/638
5,044,026	A *	9/1991	Matthews	A47G 9/1054 5/644
5,450,638	A *	9/1995	Johnson	A47C 27/084 297/DIG. 3
5,499,418	A *	3/1996	Tan	A47D 13/08 5/655

(Continued)

OTHER PUBLICATIONS

Half Rounds, announced 2015, [online], [site visited Oct. 17, 2018].
Available from Internet, <URL: <http://www.gymsupply.com/halfrounds.aspx>> (Year: 2015).*

Primary Examiner — Michelle E. Wilson

Assistant Examiner — Sanjeev Paul

(74) *Attorney, Agent, or Firm* — Hector M. Reyes Rivera,
PHD JD

(57) **CLAIM**

The ornamental design for a cylindrical pillow, as shown and described.

DESCRIPTION

FIG. 1 is a front perspective view in open position of the cylindrical pillow;
FIG. 2 is a rear perspective view in open position of the cylindrical pillow;
FIG. 3 is a top view in open position of the cylindrical pillow;
FIG. 4 is a bottom view in open position of the cylindrical pillow;
FIG. 5 is a front view in open position of the cylindrical pillow;

(Continued)

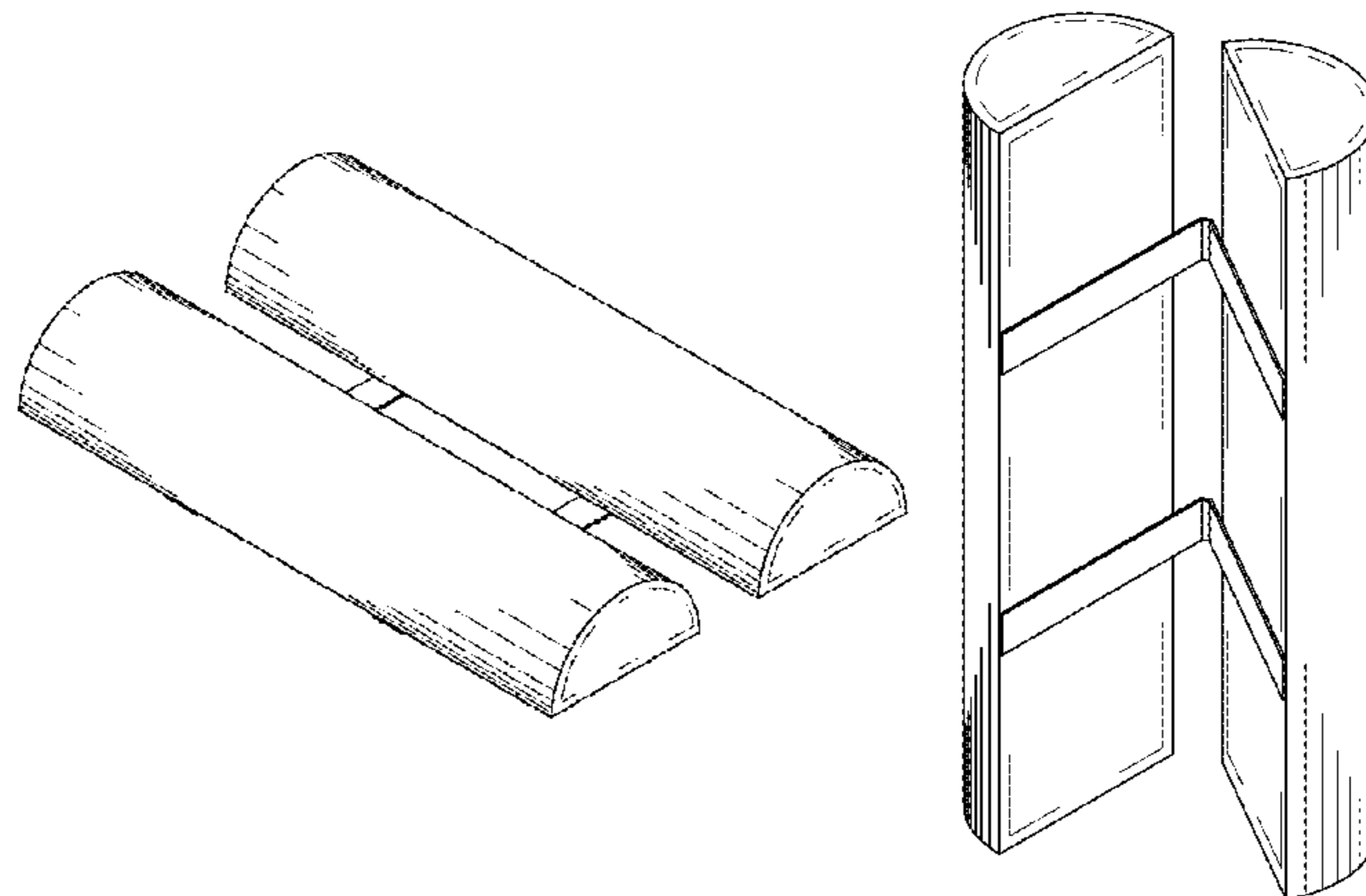


FIG. 6 is a right side view in open position of the cylindrical pillow; the left side view being a mirror image thereof;
 FIG. 7 is a perspective view in a semi open position of the cylindrical pillow; and,
 FIG. 8 is a perspective view in a closed position of the cylindrical pillow.

1 Claim, 4 Drawing Sheets

(56)

References Cited

U.S. PATENT DOCUMENTS

5,572,757 A * 11/1996 O'Sullivan A47C 7/46
 297/284.5
 D388,491 S * 12/1997 Sikorski D21/803
 D389,359 S * 1/1998 Nowak 5/655
 D439,447 S * 3/2001 Diekman D6/601
 D457,771 S * 5/2002 Boxrud D6/601
 6,795,990 B1 * 9/2004 Hutchinson D. C.
 A47C 20/021
 5/490
 D528,707 S * 9/2006 Deioma D30/118

D584,911 S * 1/2009 Hisey D21/803
 D626,775 S * 11/2010 Deenadayalu D6/601
 D636,452 S * 4/2011 Majors D21/803
 D638,646 S * 5/2011 Penza D6/601
 D658,421 S * 5/2012 Williams D6/604
 D672,420 S * 12/2012 Rominger D21/803
 D685,211 S * 7/2013 Vega-Woller D6/596
 D691,828 S * 10/2013 Rosenberg D6/601
 D706,061 S * 6/2014 Evans D6/601
 D728,970 S * 5/2015 Gilroy A47C 7/383
 D6/601
 D732,314 S * 6/2015 Fux D6/601
 D749,875 S * 2/2016 Sullivan D6/604
 9,775,451 B1 * 10/2017 Chon A47G 9/10
 2007/0213646 A1 * 9/2007 Han A47G 9/1045
 601/57
 2010/0319131 A1 * 12/2010 North A47C 20/02
 5/633
 2011/0016633 A1 * 1/2011 Eason A47C 20/026
 5/655.9
 2011/0179573 A1 * 7/2011 North A61F 5/56
 5/632
 2014/0150179 A1 * 6/2014 Gawarecki A47G 9/0215
 5/423
 2018/0098648 A1 * 4/2018 Berger A47C 7/425

* cited by examiner

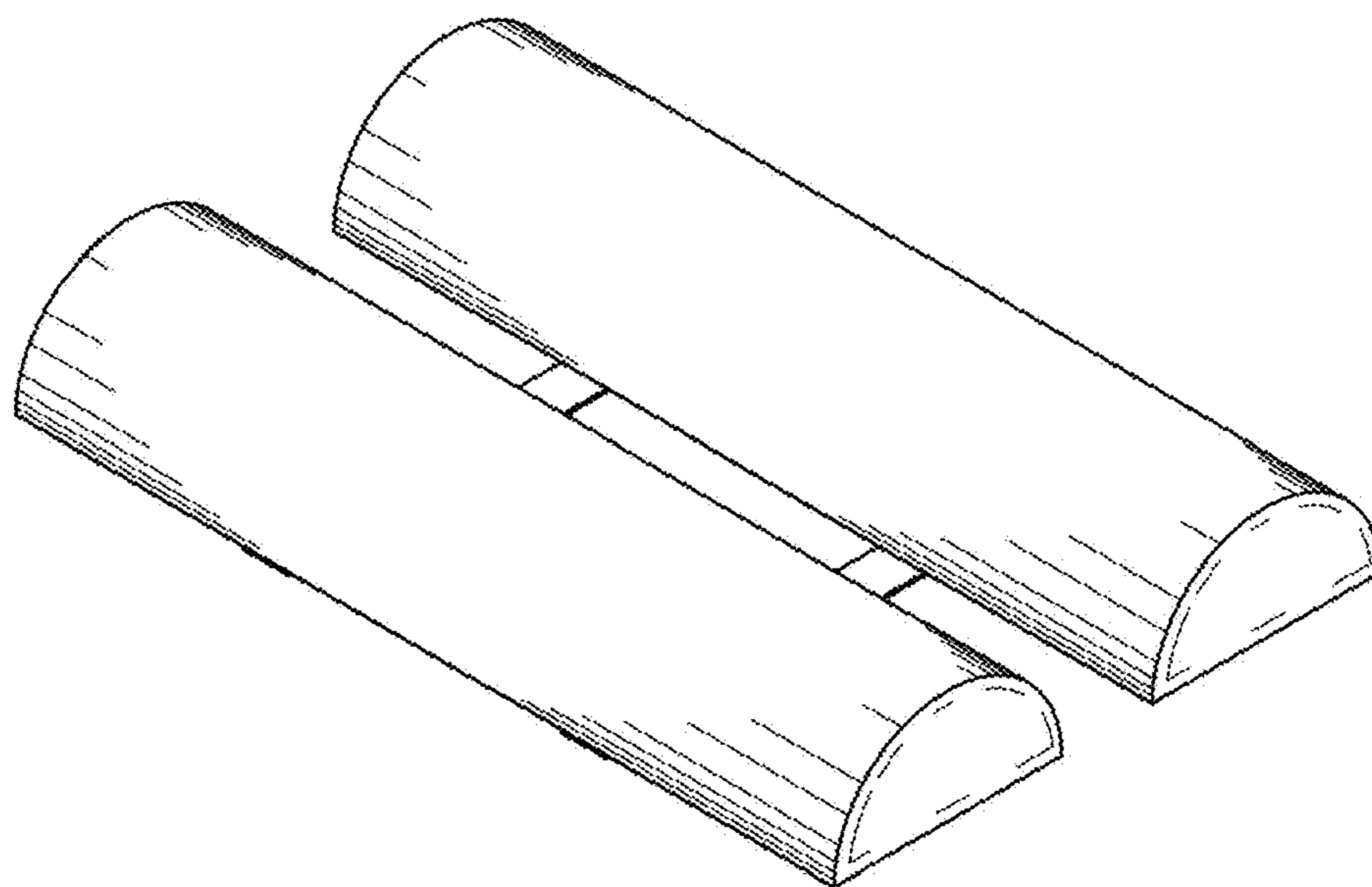


FIG. 1

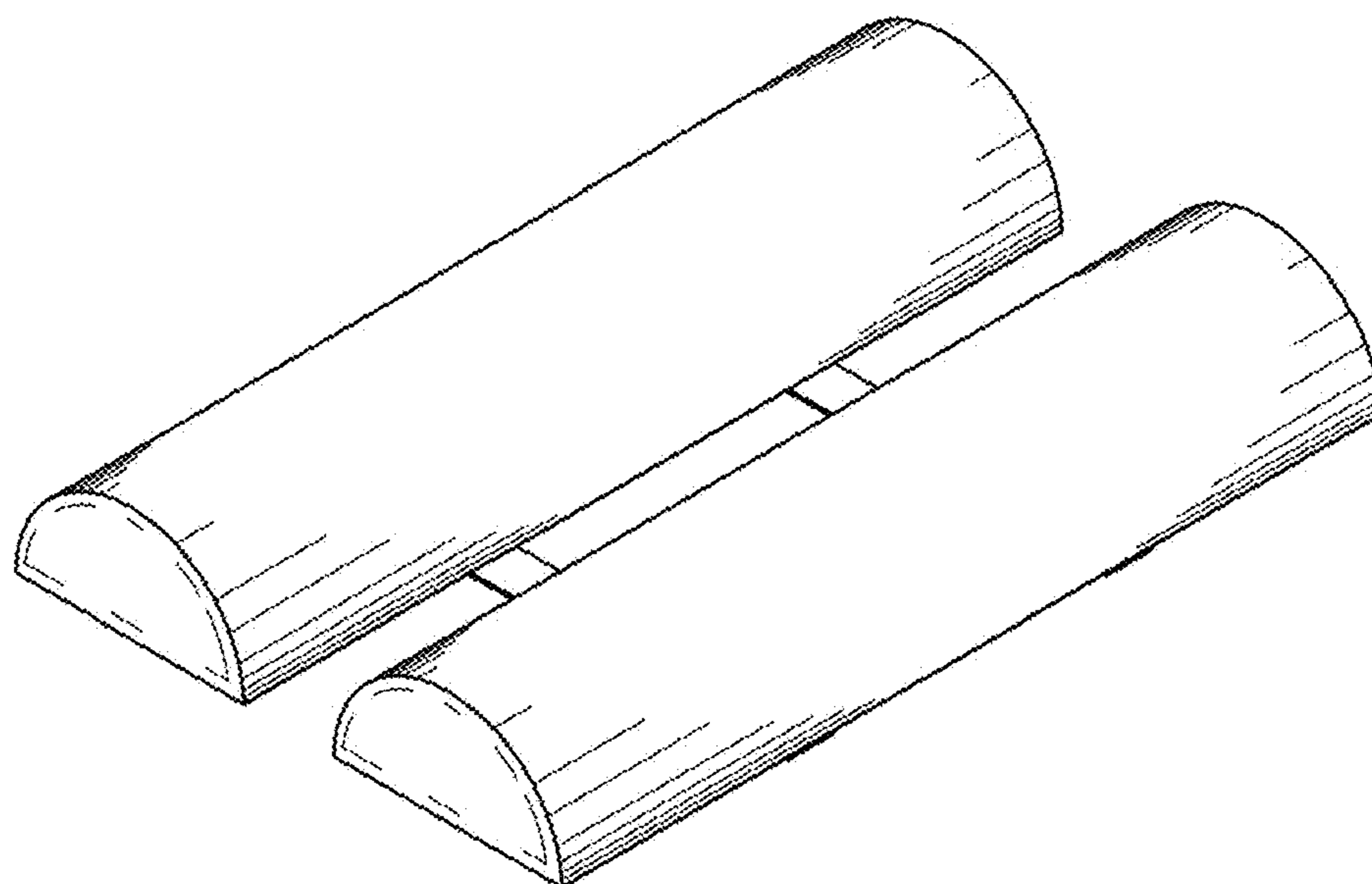


FIG. 2

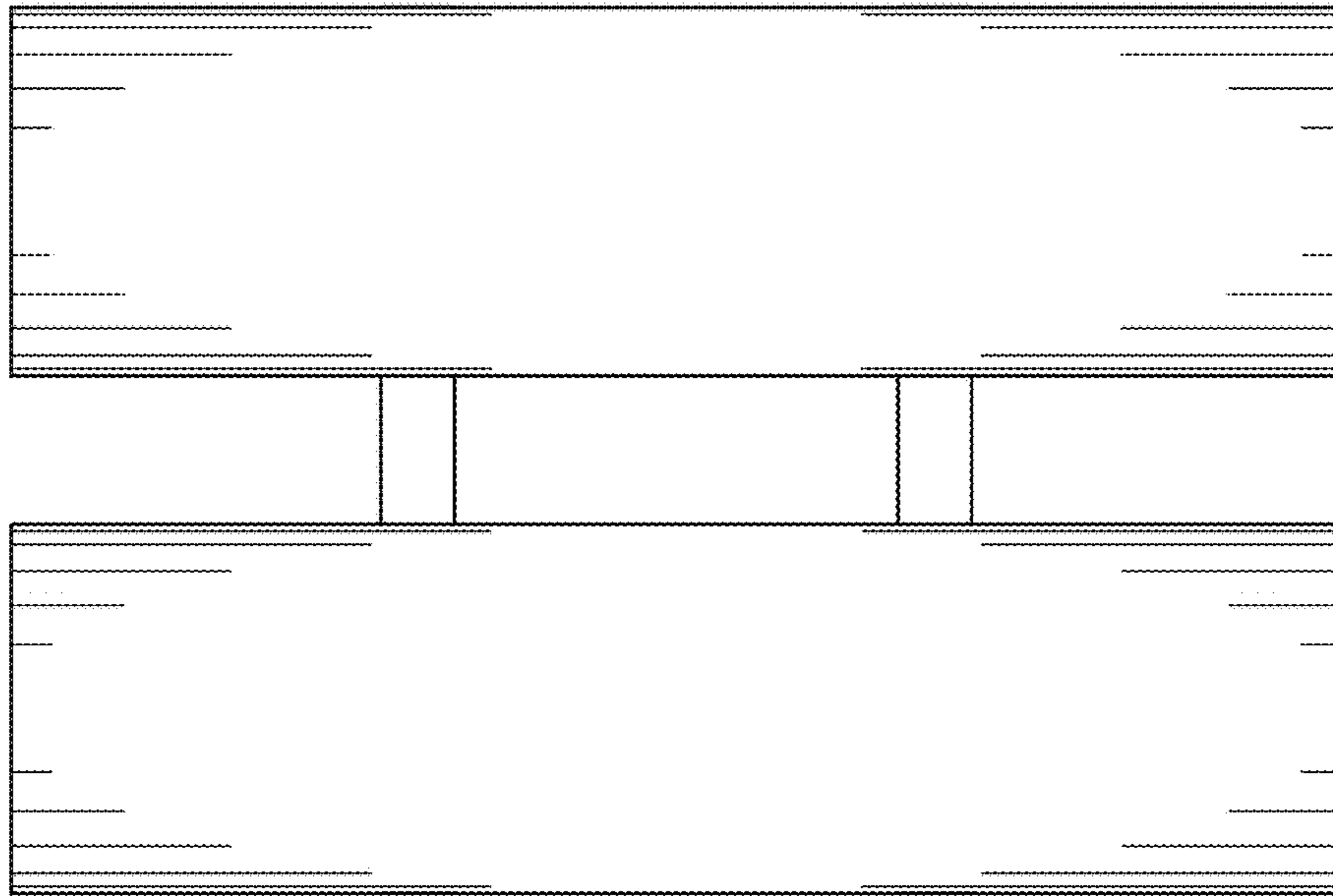


FIG. 3

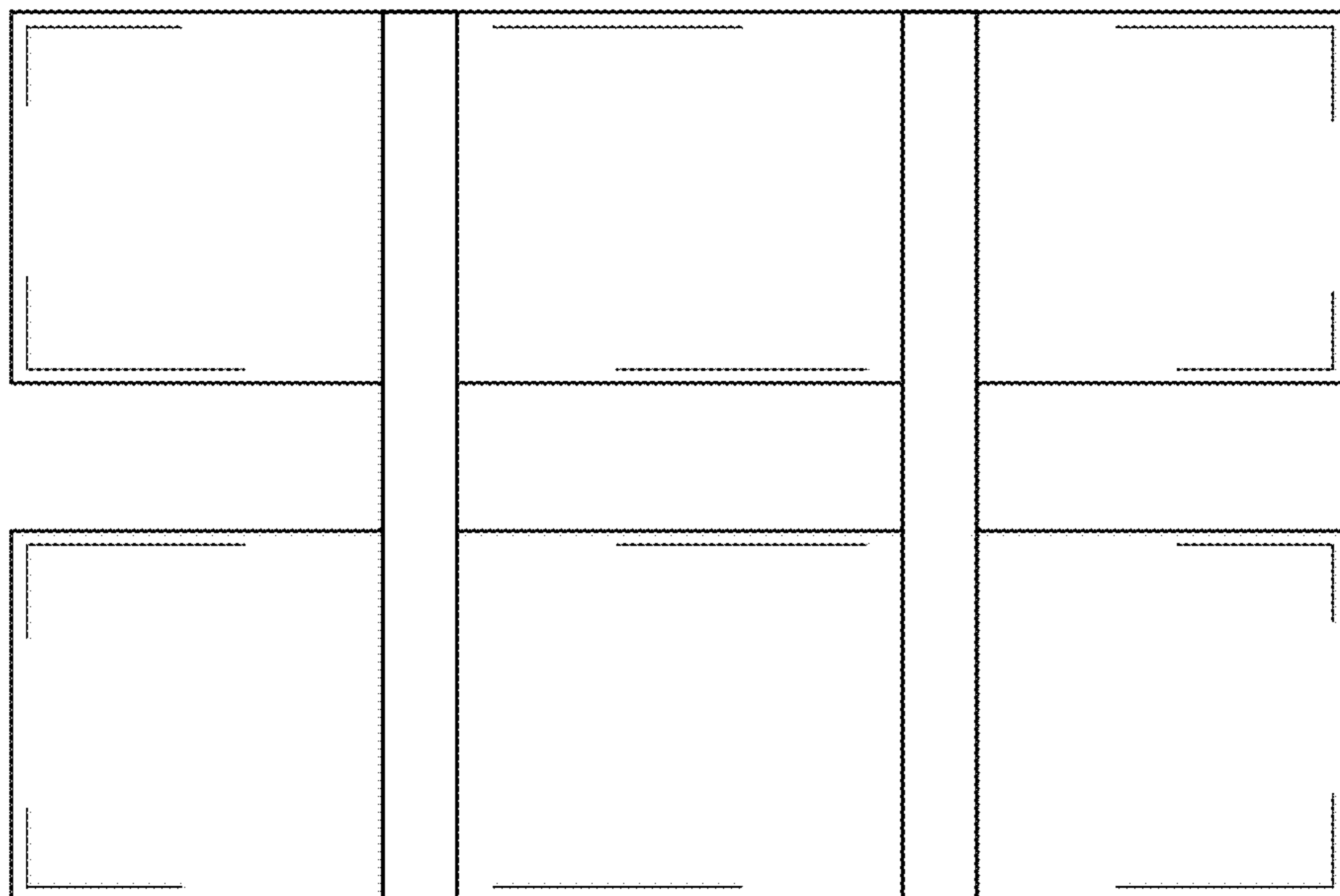


FIG. 4



FIG. 5

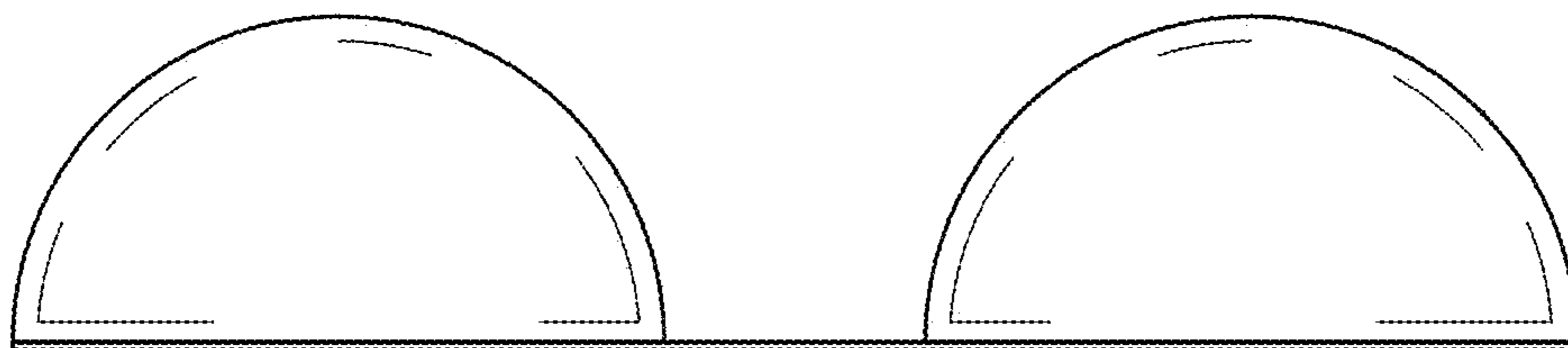


FIG. 6

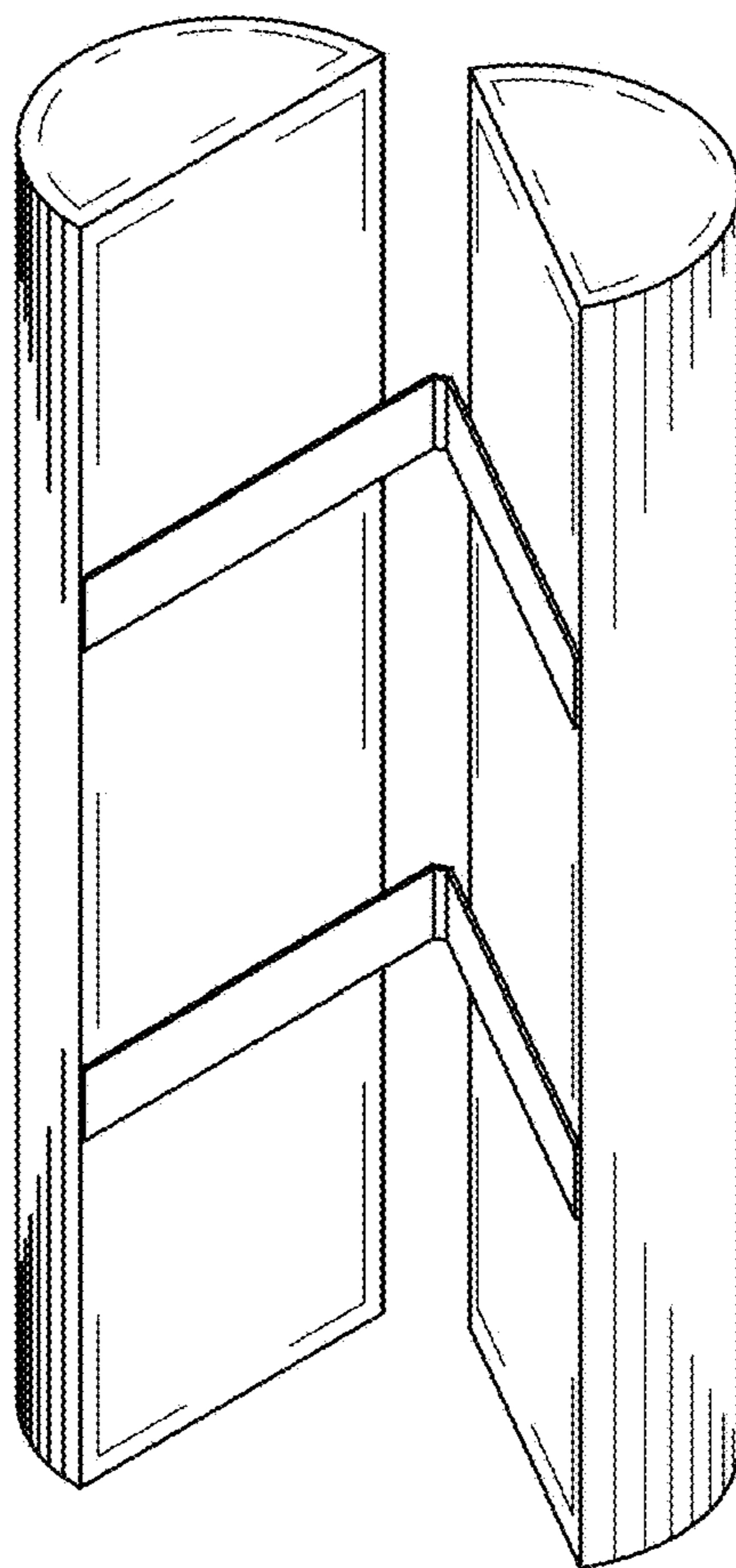


FIG. 7

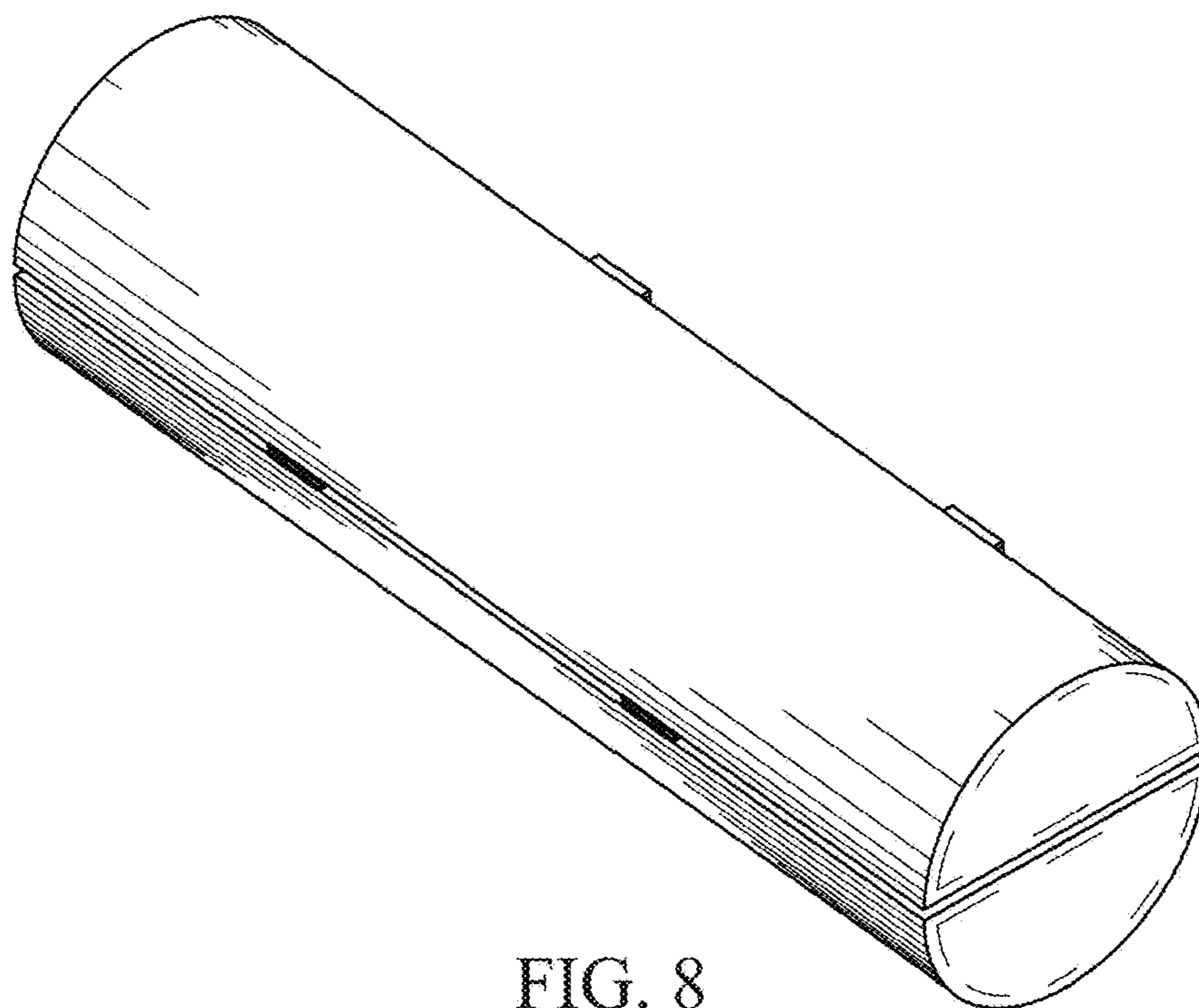


FIG. 8