



US00D839024S

(12) **United States Design Patent**
Wang et al.

(10) **Patent No.:** **US D839,024 S**
(45) **Date of Patent:** **** Jan. 29, 2019**

(54) **CORNER CADDY**

(71) Applicant: **Spectrum Diversified Designs, LLC,**
Sreetsboro, OH (US)

(72) Inventors: **Wenyue Wang,** Stow, OH (US); **Aaron D. Goodman,** Beachwood, OH (US)

(73) Assignee: **Spectrum Diversified Designs, LLC,**
Streetsboro, OH (US)

(**) Term: **15 Years**

(21) Appl. No.: **29/596,717**

(22) Filed: **Mar. 10, 2017**

(51) **LOC (11) Cl.** **23-02**

(52) **U.S. Cl.**
USPC **D6/562**

(58) **Field of Classification Search**
USPC D6/562, 553, 525, 524, 536, 540, 566;
211/13.1, 74, 71.01, 86.01, 75, 126.1,
211/133.5, 181.1, 134
CPC A47K 17/00; A47K 3/281; A47K 3/001;
B23P 17/04; A47B 57/265; A47B 57/565;
A47B 57/26

See application file for complete search history.

(56) **References Cited**

U.S. PATENT DOCUMENTS

D362,780 S *	10/1995	Hampshire	D6/525
D483,587 S *	12/2003	Snell	D6/525
D543,748 S *	6/2007	Harwanko	D6/525
D679,528 S *	4/2013	Gilboe	D6/525
D679,529 S *	4/2013	Gilboe	D6/525
D697,309 S *	1/2014	Baldwin	D3/304

D731,187 S *	6/2015	Thompson	D3/315
D734,610 S *	7/2015	Christie	D3/304
2016/0095436 A1 *	4/2016	Baldwin	A47K 3/004 211/88.01

OTHER PUBLICATIONS

https://www.amazon.com/Kitchen-sponge-scratcher-cleaning-organizer/dp/B01EWDF0KK/ref=sr_1_1?ie=UTF8&qid=1491493028&sr=8-1&keywords=kitchen+sponge+scratcher+cleaning+organizer, retrieved from internet on Apr. 6, 2017.

* cited by examiner

Primary Examiner — Wan Laymon

Assistant Examiner — Mark Booker

(74) *Attorney, Agent, or Firm* — Renner, Otto, Boisselle and Sklar, LLP

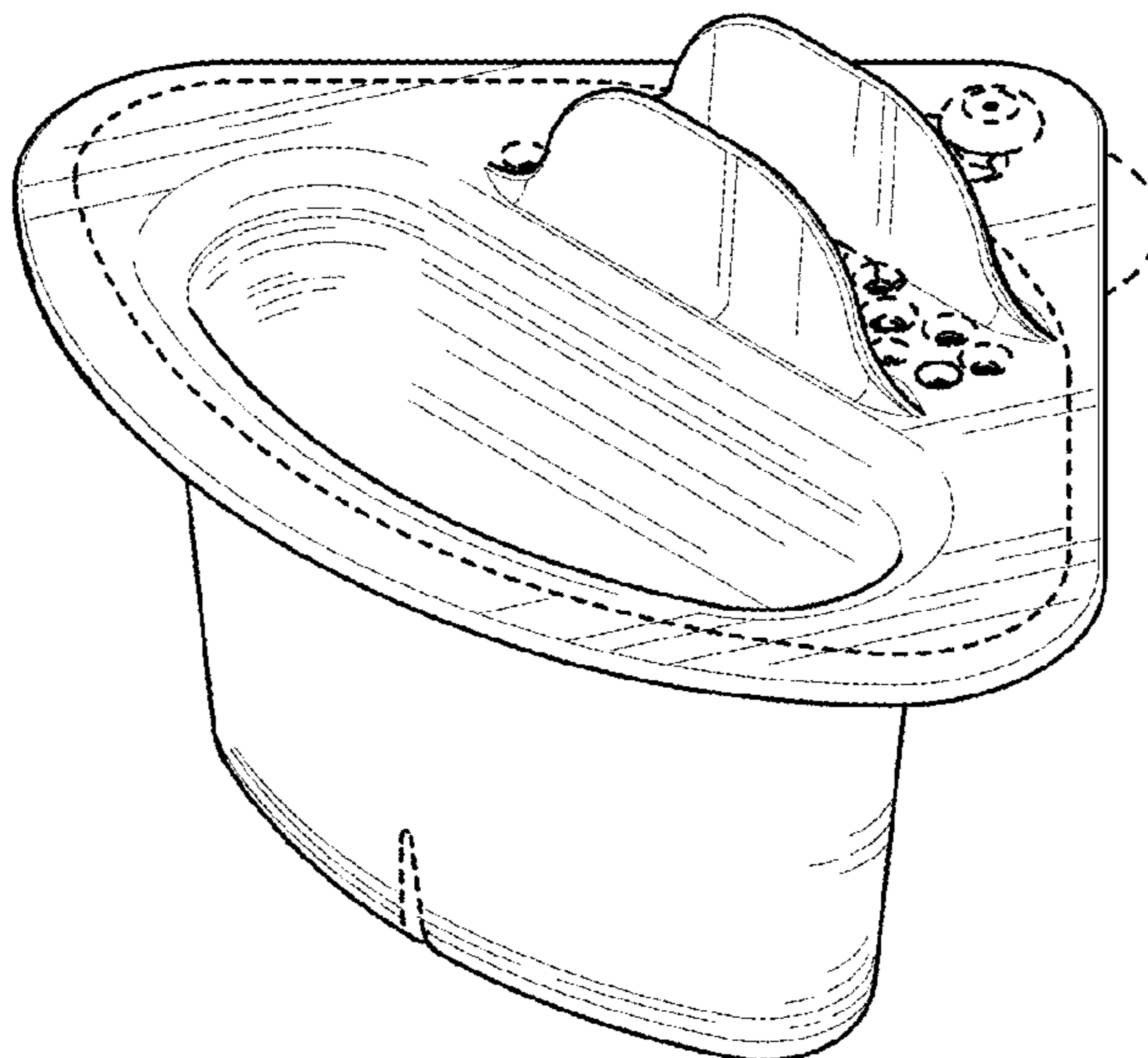
(57) **CLAIM**

The ornamental design for a corner caddy, as shown and described.

DESCRIPTION

FIG. 1 is a top, front, right perspective view of a corner caddy showing our new design;
FIG. 2 is a front elevation view thereof;
FIG. 3 is a rear elevation view thereof;
FIG. 4 is a right side elevation view thereof, a left side elevation view being a mirror image of the right side elevation view;
FIG. 5 is a top plan view thereof; and,
FIG. 6 is a bottom plan view thereof.
The broken line showing is for the purpose of illustrating unclaimed portions of the article and forms no part of the claimed design.

1 Claim, 4 Drawing Sheets



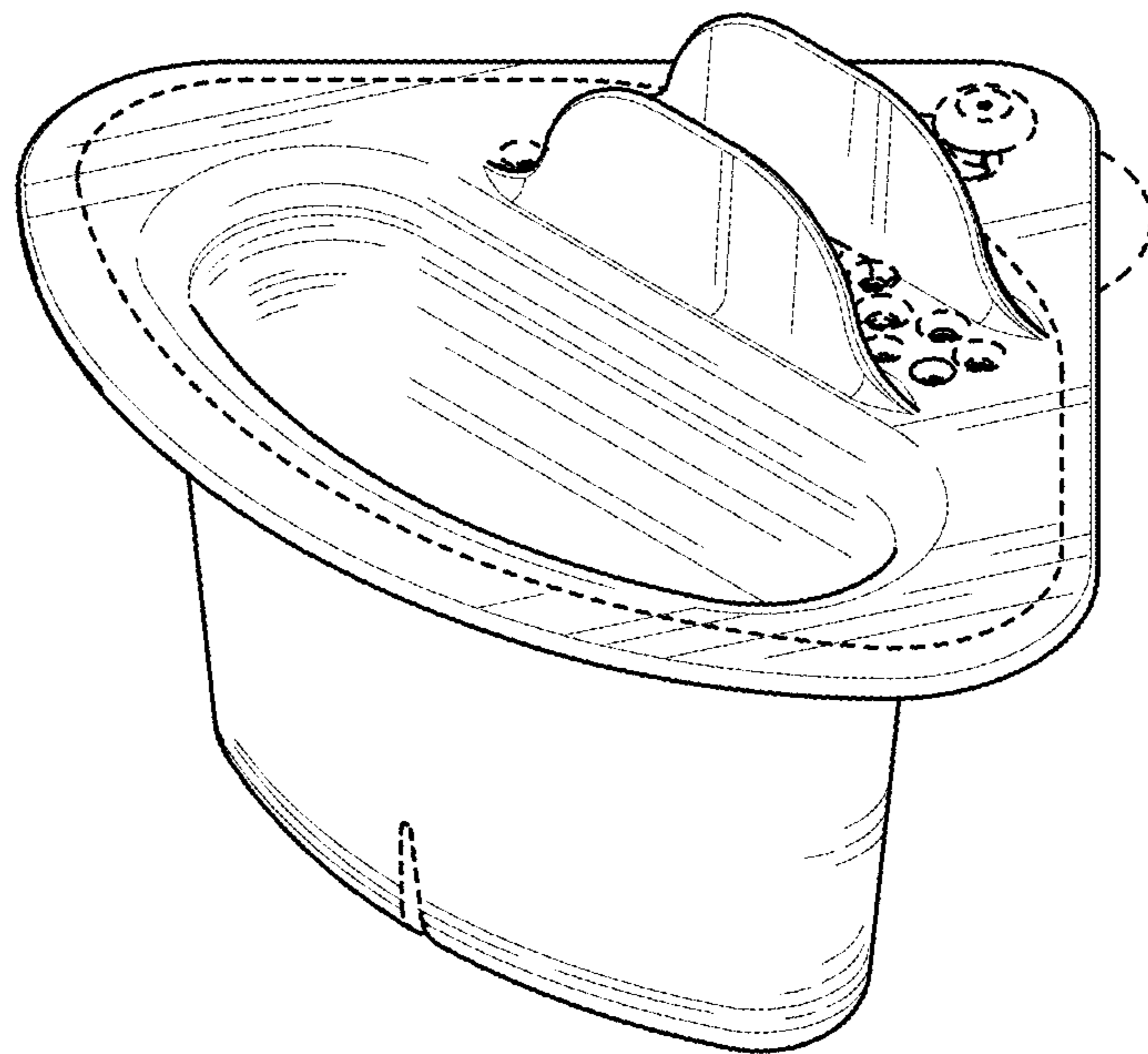


FIG. 1

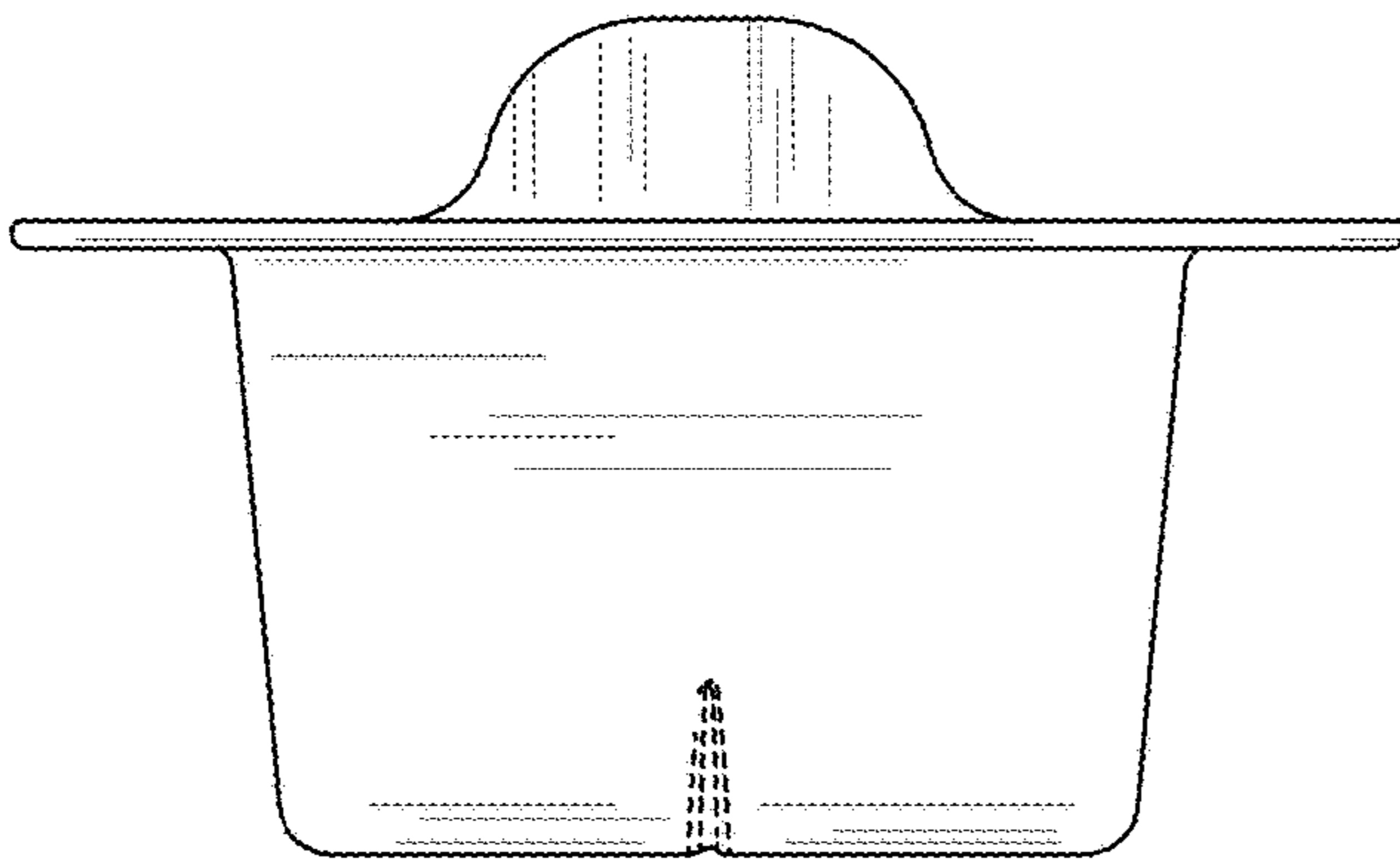


FIG. 2

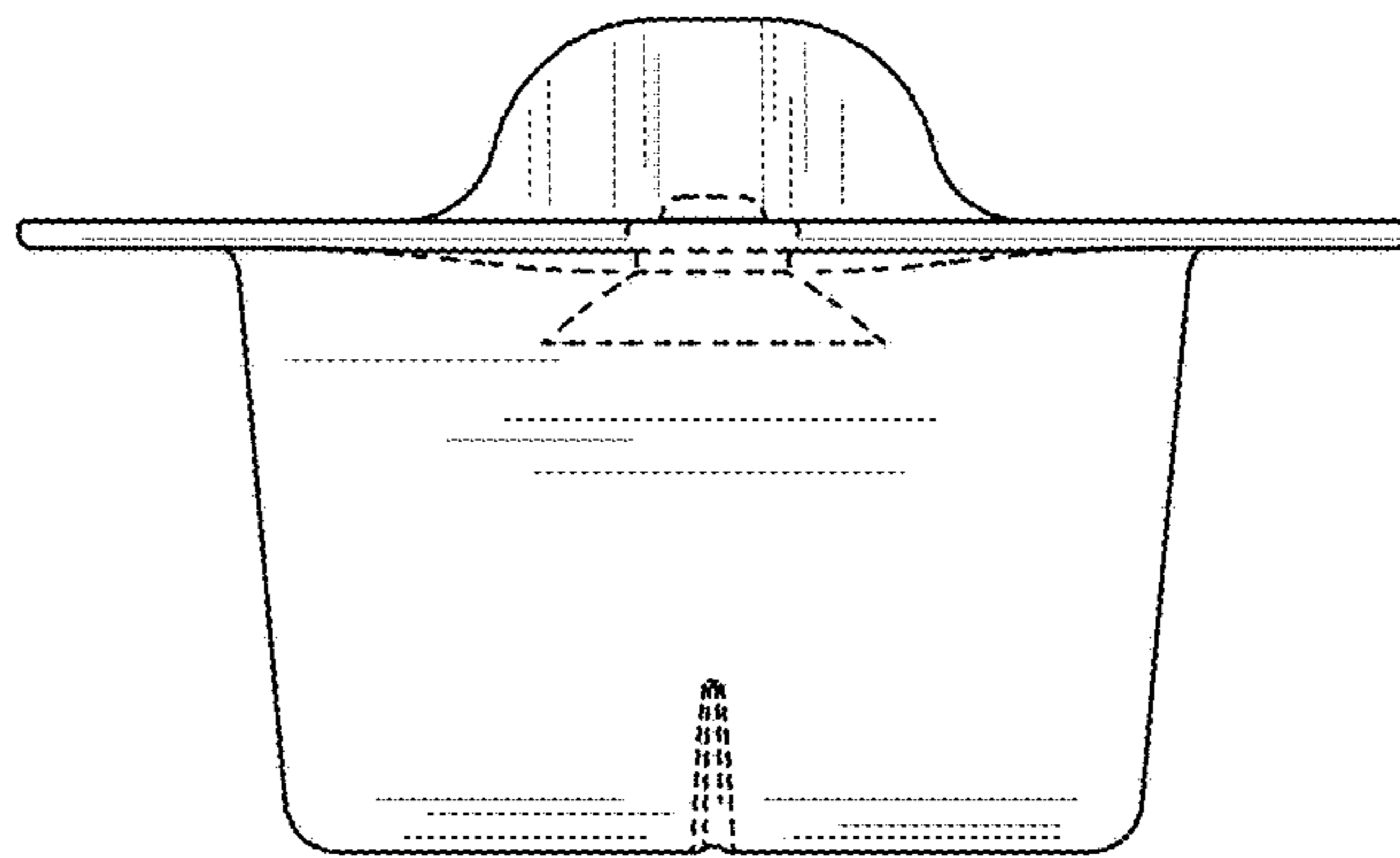


FIG. 3

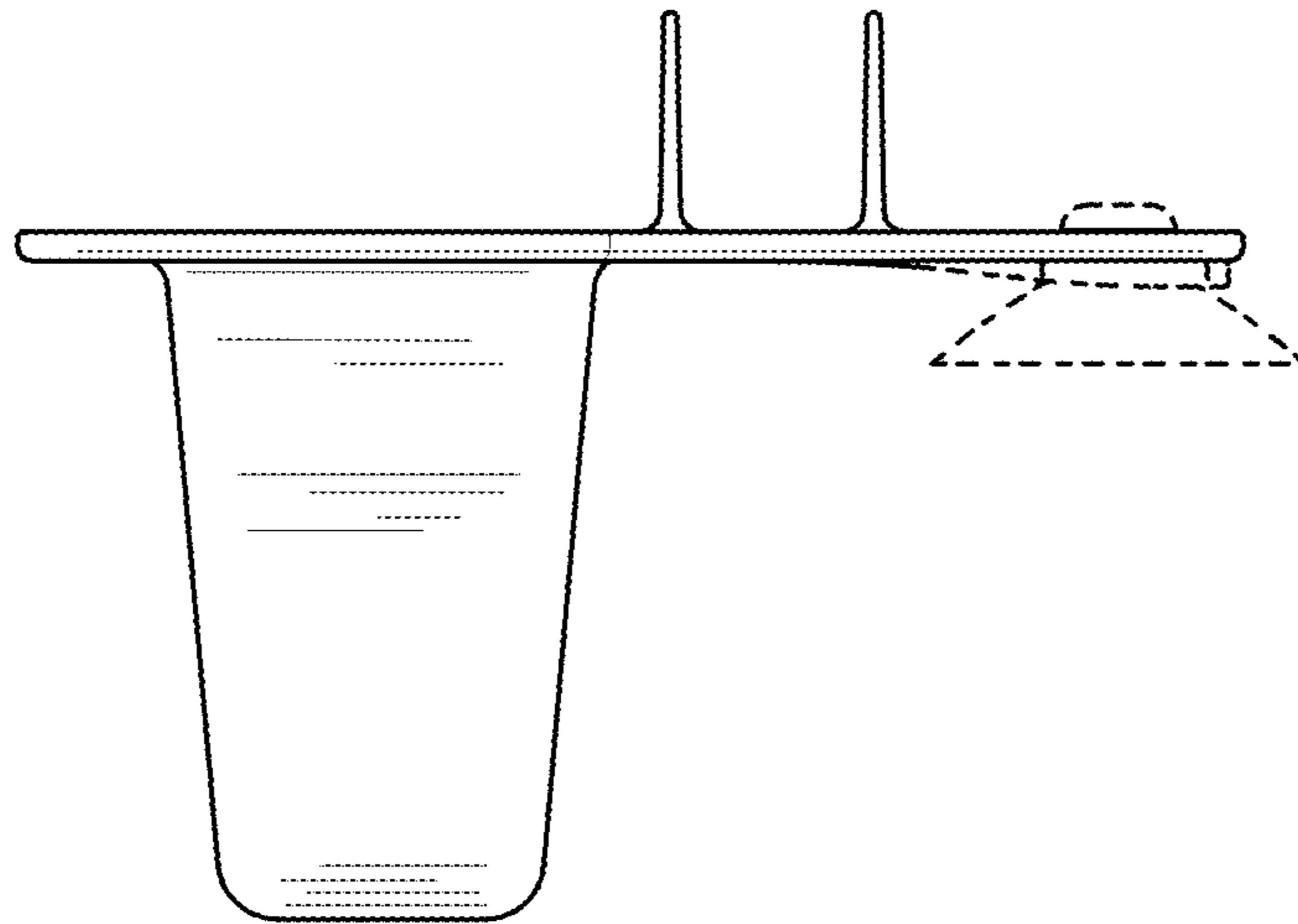


FIG. 4

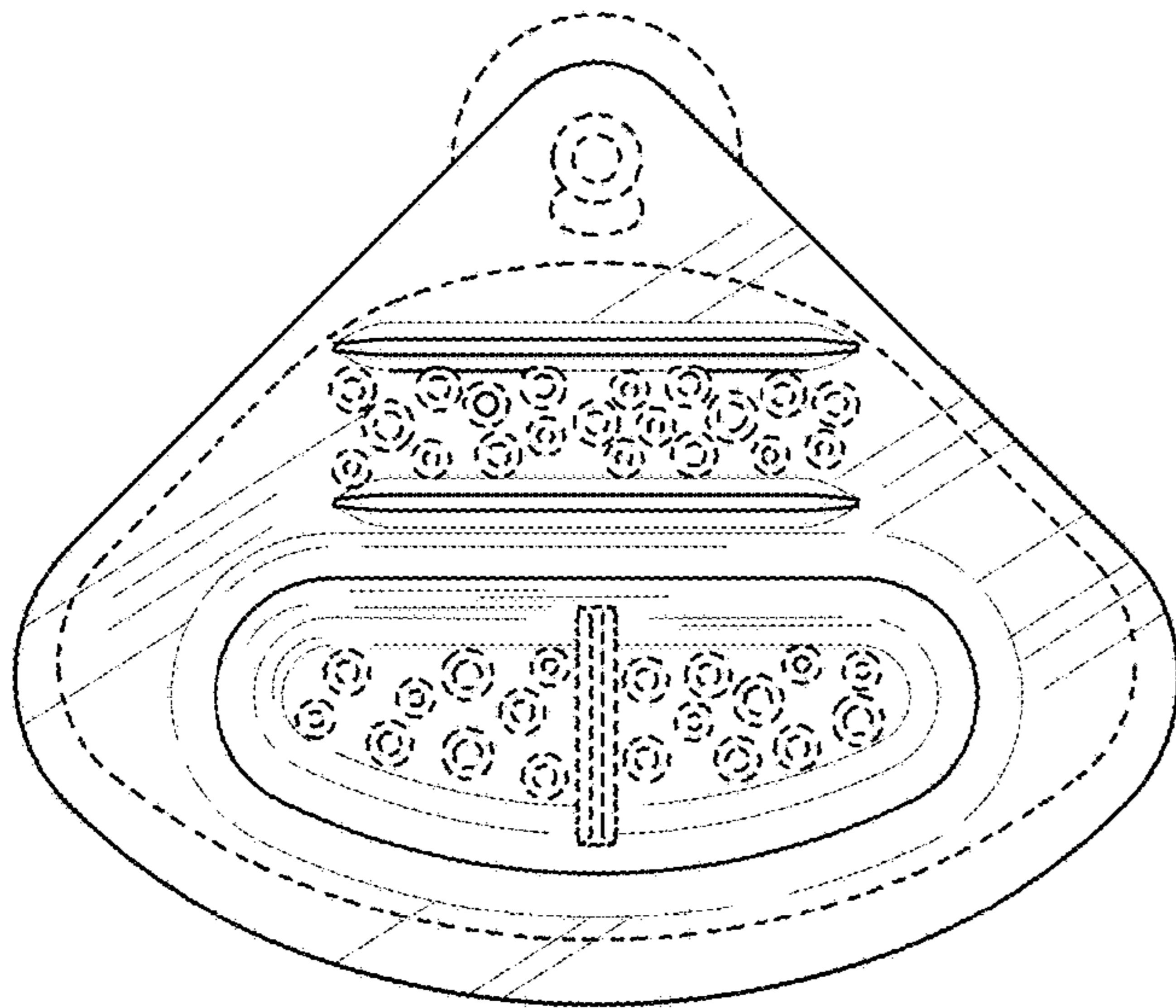


FIG. 5

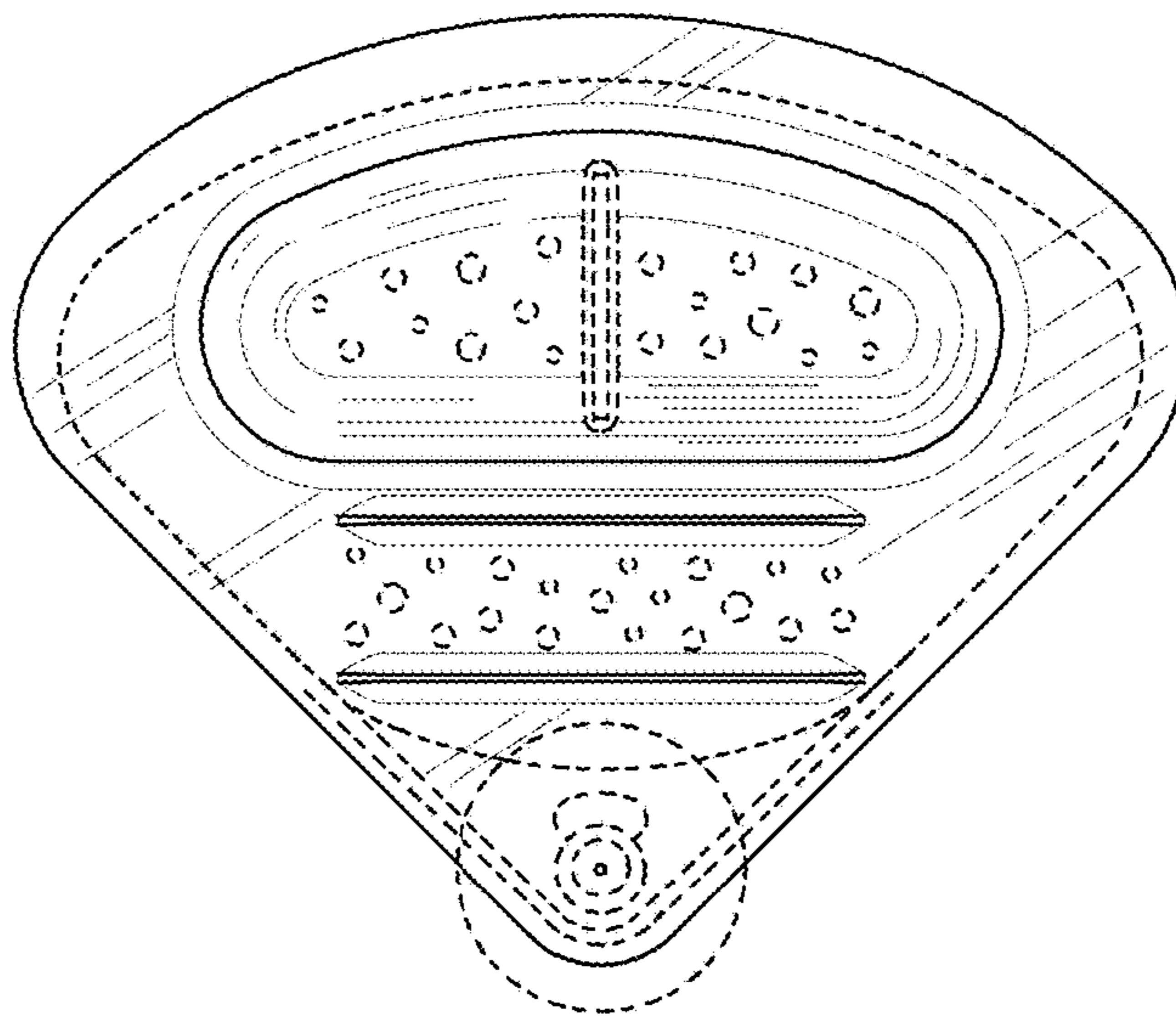


FIG. 6