



US00D839023S

(12) **United States Design Patent** (10) **Patent No.:** **US D839,023 S**
Zicanovic et al. (45) **Date of Patent:** **** Jan. 29, 2019**

(54) **OBJECT HOLDER**

(71) Applicant: **Honey-Can-Do International, LLC**,
Berkeley, IL (US)
(72) Inventors: **Slobodan Zicanovic**, Des Plaines, IL
(US); **Steven Greenspon**, Berkeley, IL
(US)
(73) Assignee: **Honey-Can-Do International, LLC**,
Berkeley, IL (US)

(**) Term: **15 Years**

(21) Appl. No.: **29/585,583**

(22) Filed: **Nov. 28, 2016**

(51) **LOC (11) Cl.** **06-04**

(52) **U.S. Cl.**
USPC **D6/553; D3/304**

(58) **Field of Classification Search**
USPC D6/553, 525, 524, 536, 540, 566;
211/13.1, 74, 71.01, 86.01, 75, 126.1,
211/133.5, 181.1, 134; D3/304;
D15/79-81; D7/603-608, 629
CPC B65D 1/02; B65D 1/023; B65D 1/0223
See application file for complete search history.

(56) **References Cited**

U.S. PATENT DOCUMENTS

D355,791 S *	2/1995	Briley	D11/143
D379,891 S *	6/1997	Hampshire	D6/525
D383,633 S	9/1997	Schweitzer	
D416,421 S *	11/1999	Hampshire	D3/304
D419,301 S *	1/2000	Hampshire	D3/304
6,082,573 A *	7/2000	Hofman	A47K 3/281 220/480
D483,587 S *	12/2003	Snell	D6/525
D486,022 S *	2/2004	Shamoon	D6/553
D497,755 S	11/2004	Wood et al.	
D512,255 S *	12/2005	Snell	D6/567

D530,962 S	10/2006	Wood	
D532,235 S *	11/2006	Snell	D6/567
D535,842 S	1/2007	Wood	
D635,383 S *	4/2011	Yang	D6/525
D642,841 S *	8/2011	Dretzka	D6/553
D774,762 S *	12/2016	Aller	D3/304
D775,465 S *	1/2017	Aller	D3/304

OTHER PUBLICATIONS

Honey can do website, Big Daddy, Dec. 18, 2017, <https://honeycando.com/collections/urbio>.*

* cited by examiner

Primary Examiner — David G Muller

Assistant Examiner — Nathan M Johnston

(74) *Attorney, Agent, or Firm* — Adam K. Sacharoff;
Much Shelist, P.C.

(57) **CLAIM**

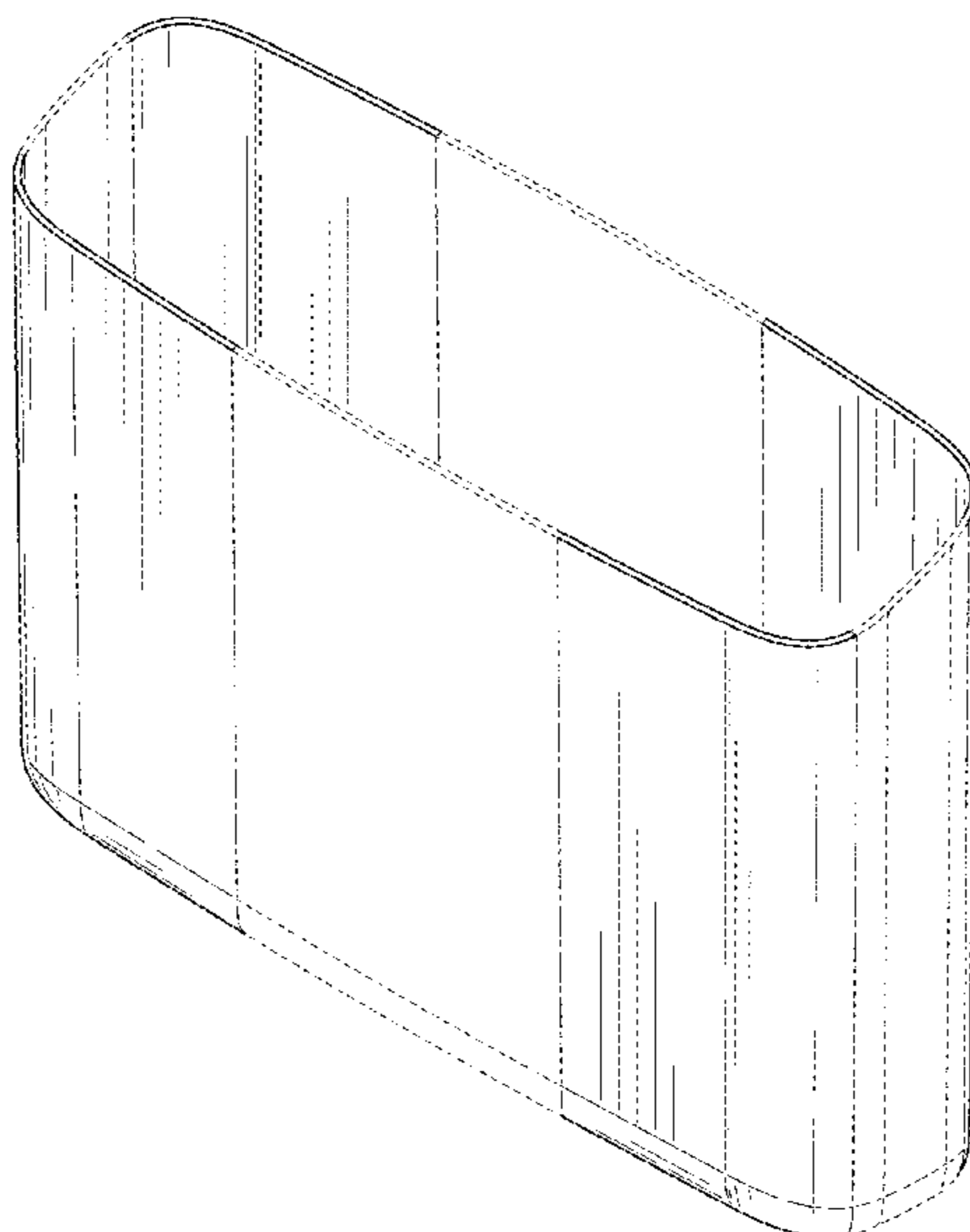
The ornamental design for an object holder, as shown and described.

DESCRIPTION

FIG. 1 is a front right perspective view of an object holder, showing my new design;
FIG. 2 is a rear left perspective view thereof;
FIG. 3 front elevation view thereof;
FIG. 4 is a back elevation view thereof;
FIG. 5 is a left side view thereof;
FIG. 6 is a right side view thereof;
FIG. 7 is a top plan view thereof; and,
FIG. 8 is a bottom plan view thereof.

The dash dot lines immediately adjacent to the claimed area represent the boundaries of the claimed design. The dashed lines in the figures illustrate the portions of the design that form no part of the claimed design. None of the broken lines form any part of the claimed design.

1 Claim, 6 Drawing Sheets



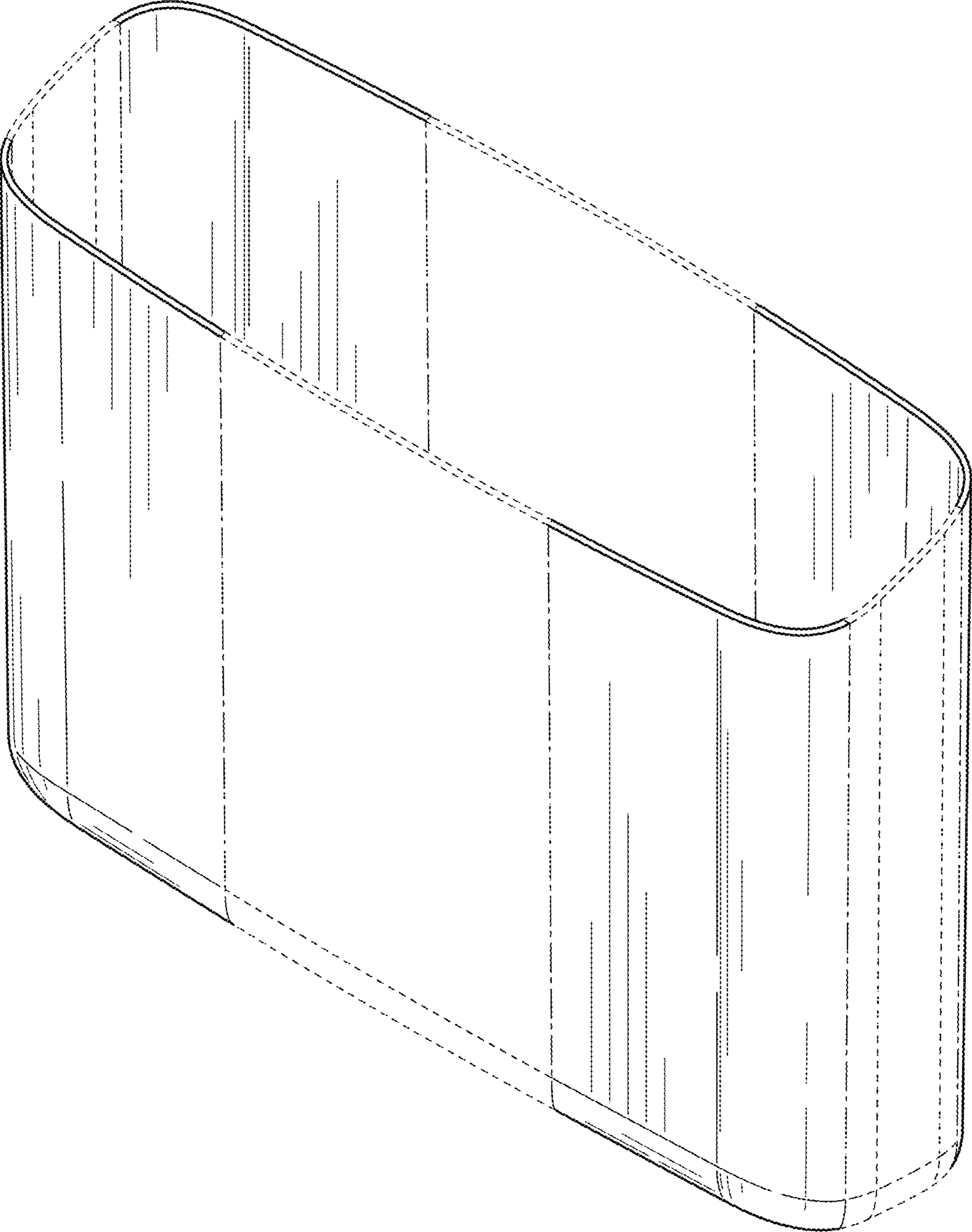


FIG. 1

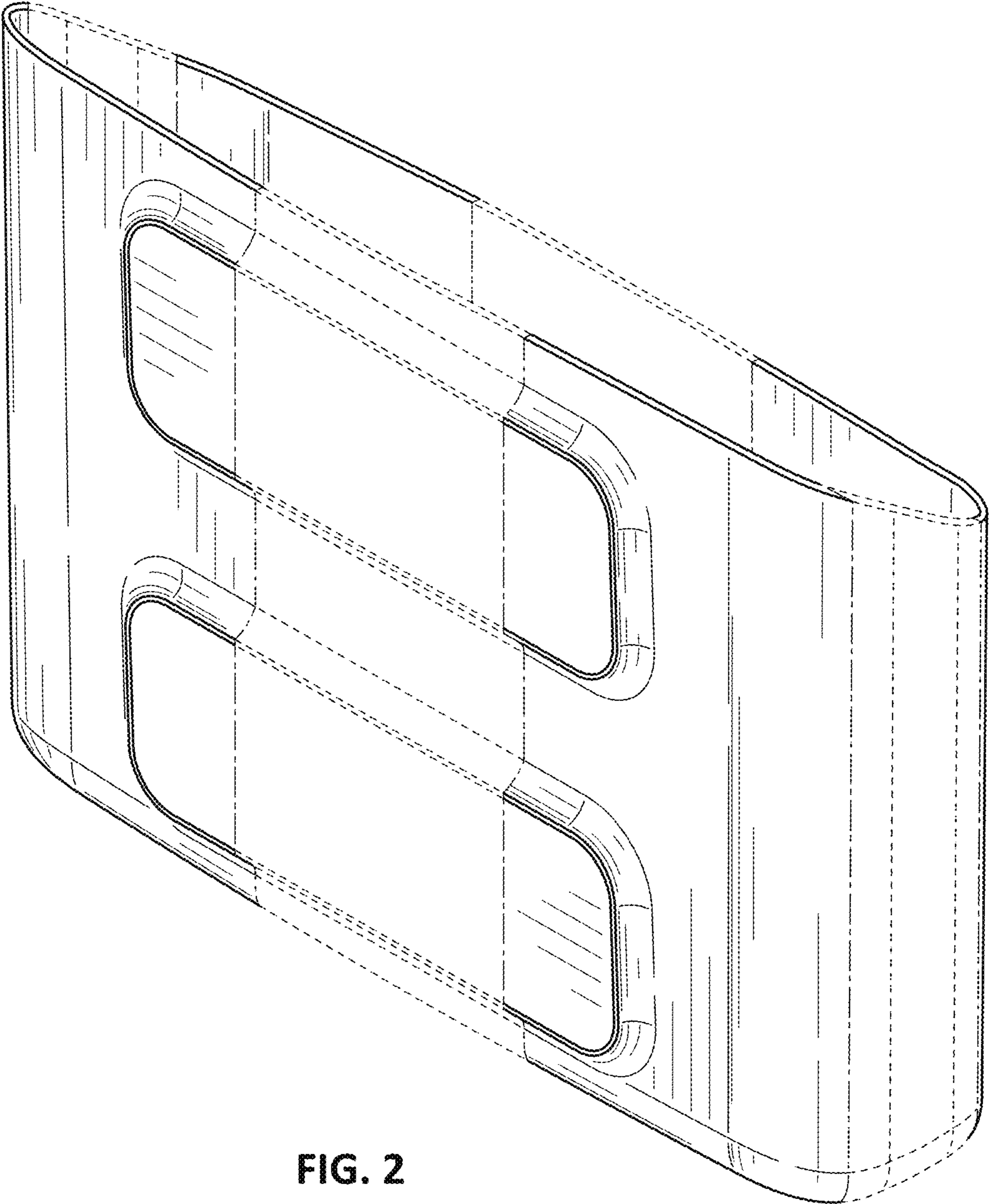


FIG. 2

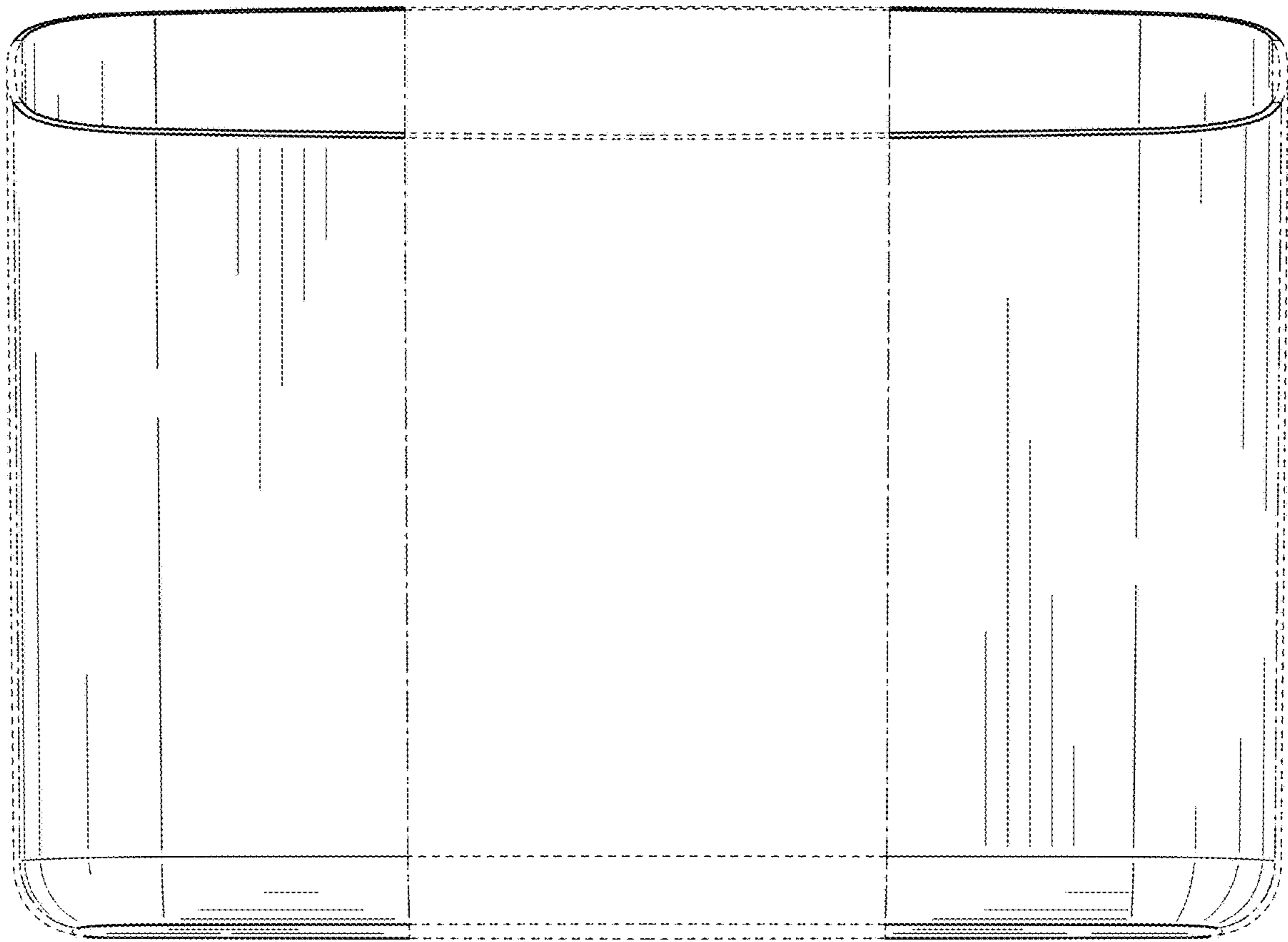


FIG. 3

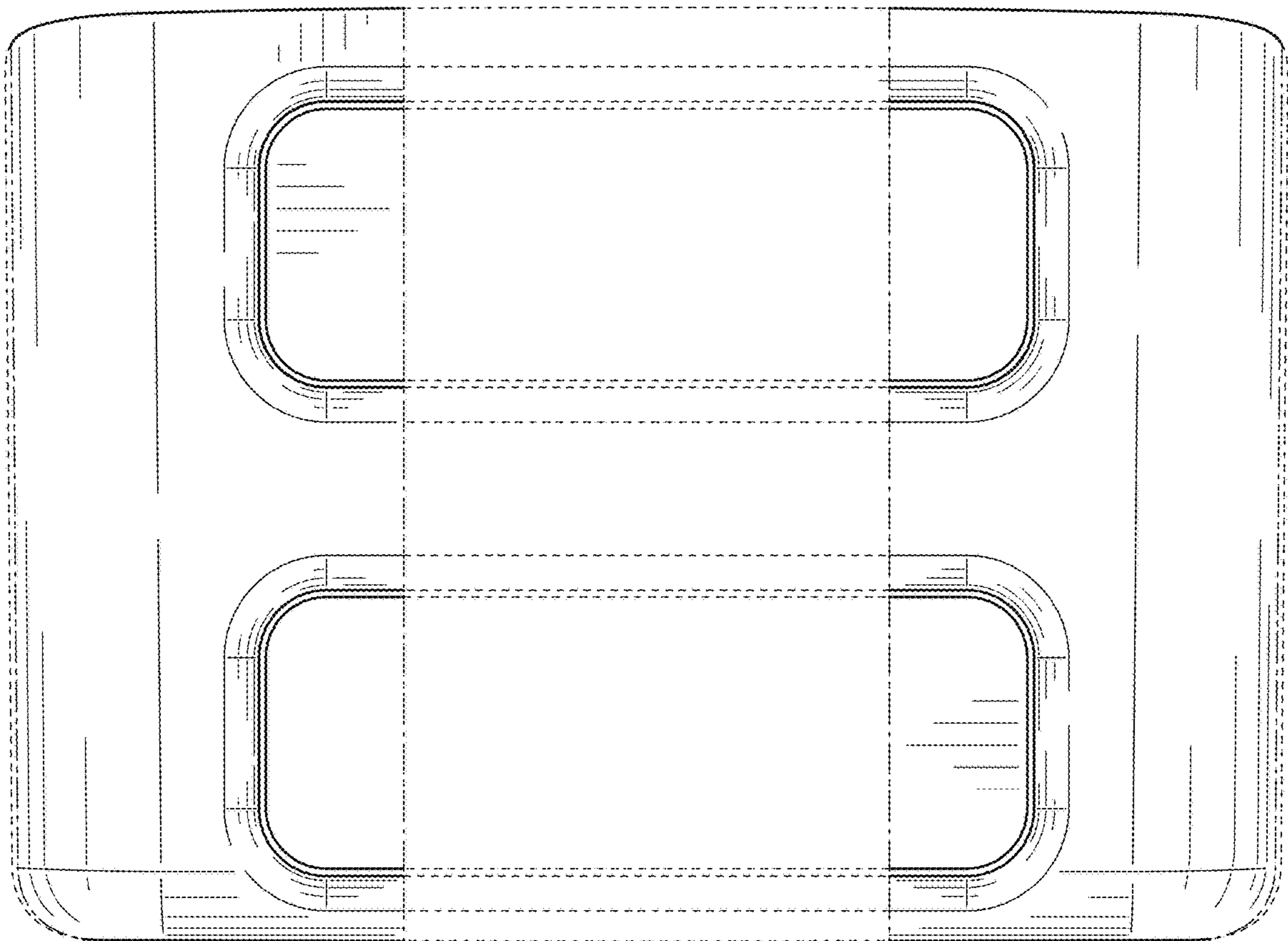


FIG. 4

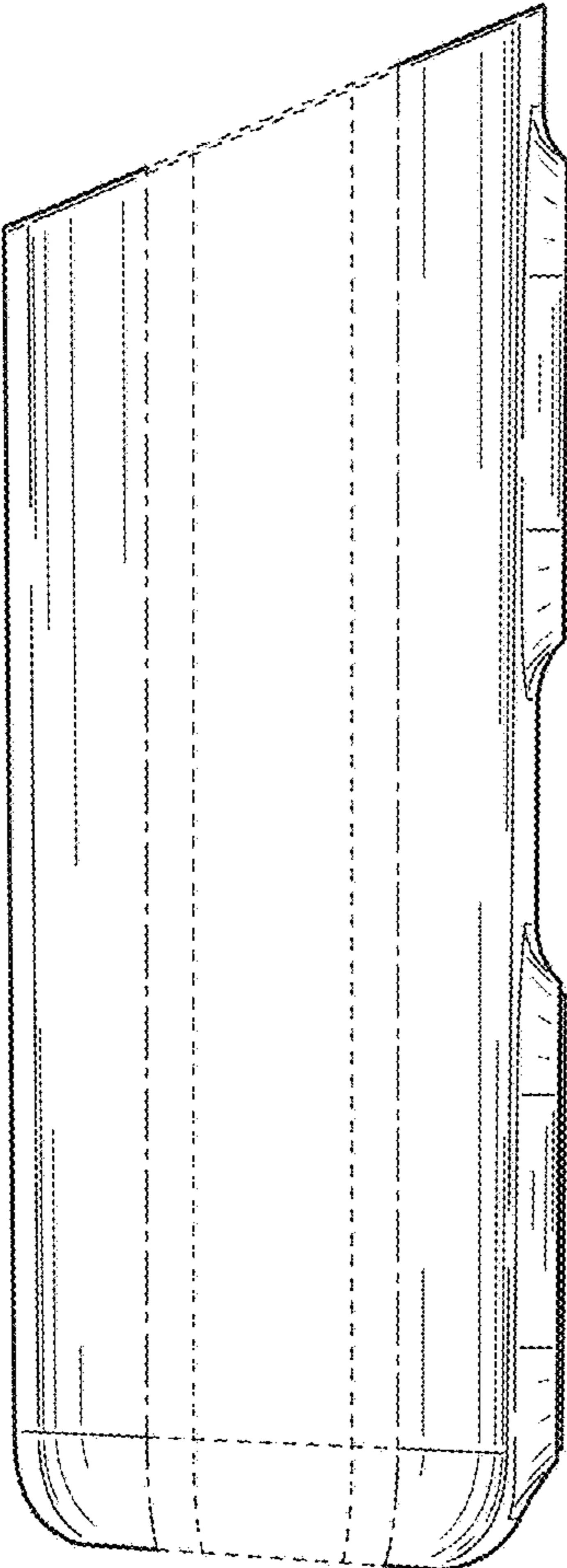


FIG. 5

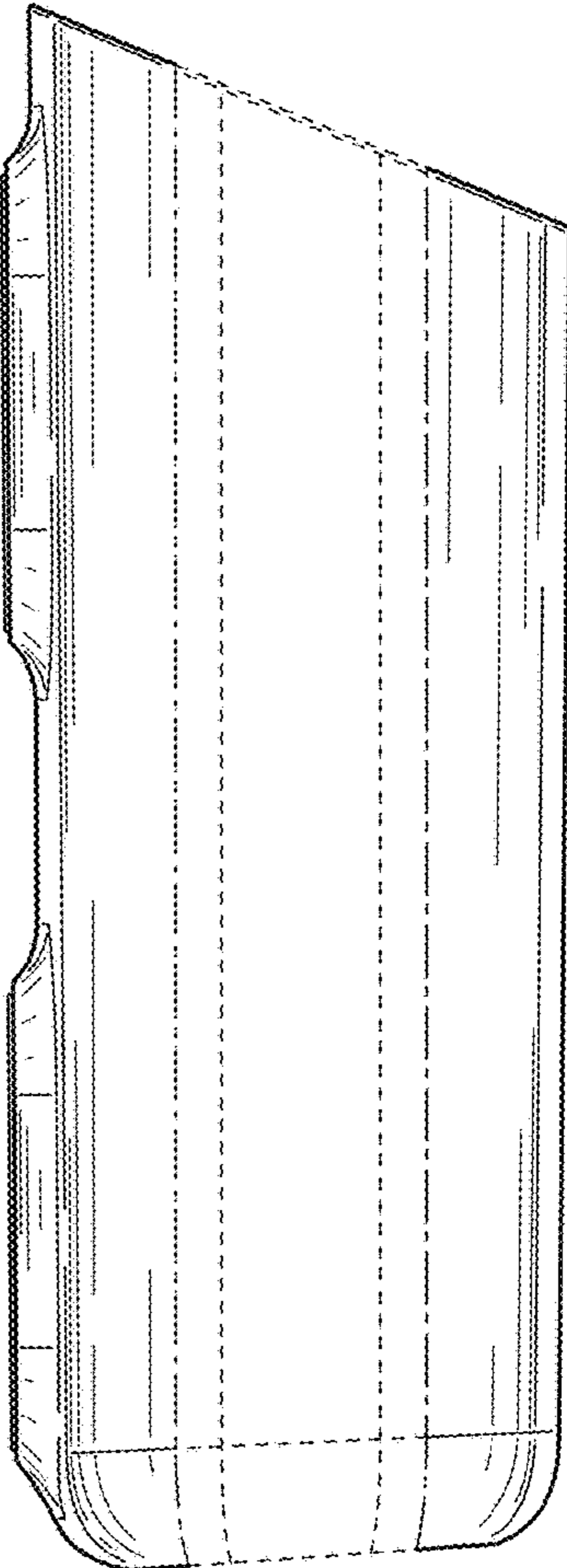


FIG. 6

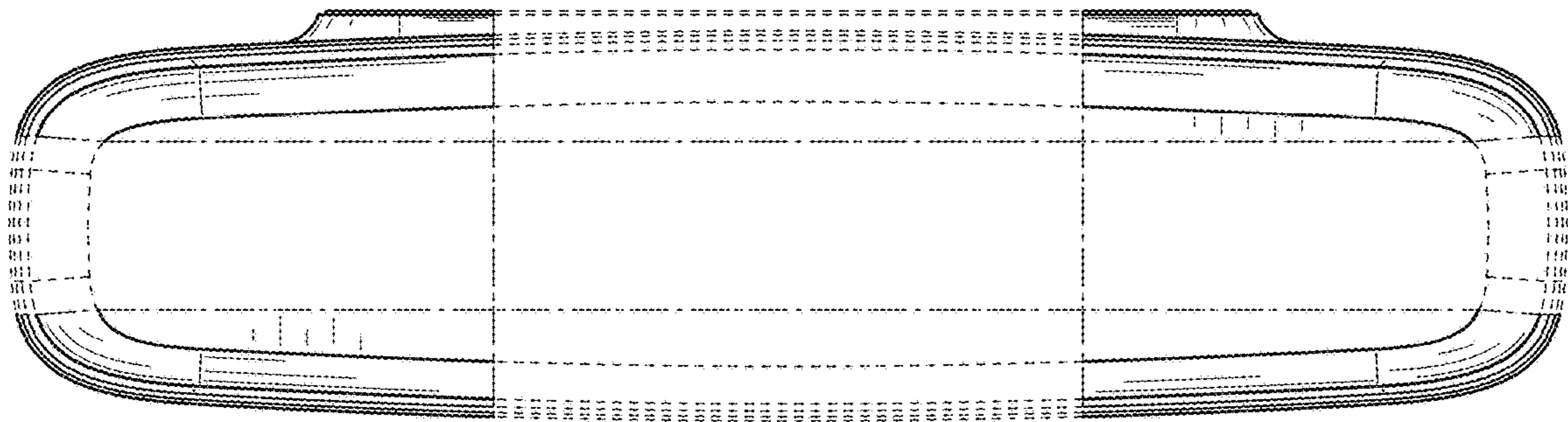


FIG. 7

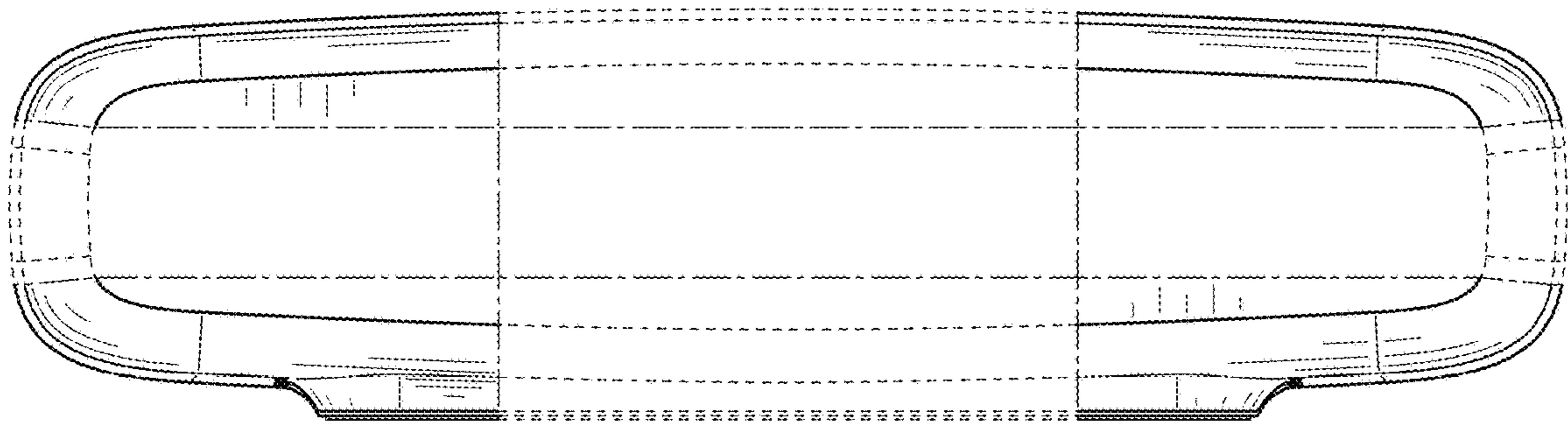


FIG. 8