



US00D839022S

(12) **United States Design Patent**
Jones

(10) **Patent No.:** **US D839,022 S**
(45) **Date of Patent:** **** Jan. 29, 2019**

(54) **WRAP DOCK**

(71) Applicant: **Base4 Ventures, LLC**, Carrollton, TX (US)

(72) Inventor: **Autumn Alexis Jones**, Dallas, TX (US)

(73) Assignee: **BASE4 VENTURES, LLC**, Carrollton, TX (US)

(**) Term: **15 Years**

(21) Appl. No.: **29/620,702**

(22) Filed: **May 2, 2017**

(51) **LOC (11) Cl.** **06-02**

(52) **U.S. Cl.**
USPC **D6/520**

(58) **Field of Classification Search**

USPC D6/520, 512, 513, 515, 518-519, D6/521-523; D9/734; 206/389, 390, 206/395; 221/282-283; 222/129, 173; 242/560, 570, 590, 597.7, 598; 312/34.8
CPC B65B 7/2807; G07F 13/10; A61J 7/0084; A47F 1/10; A47F 1/08; B65D 83/0882; B65D 85/672; B65D 85/1009; B65D 83/0805; A47K 10/44; A47K 10/421; A47K 10/38; A47K 10/32; B65H 37/002; B65H 16/005; B65H 2701/1944

See application file for complete search history.

(56) **References Cited**

U.S. PATENT DOCUMENTS

D437,519 S * 2/2001 Schulein D6/520
D604,541 S * 11/2009 Bone D6/518
D767,915 S * 10/2016 Held D6/512

* cited by examiner

Primary Examiner — Wan Laymon

Assistant Examiner — Mark Booker

(74) *Attorney, Agent, or Firm* — Jonathan C. Grant; Grant Patent Services

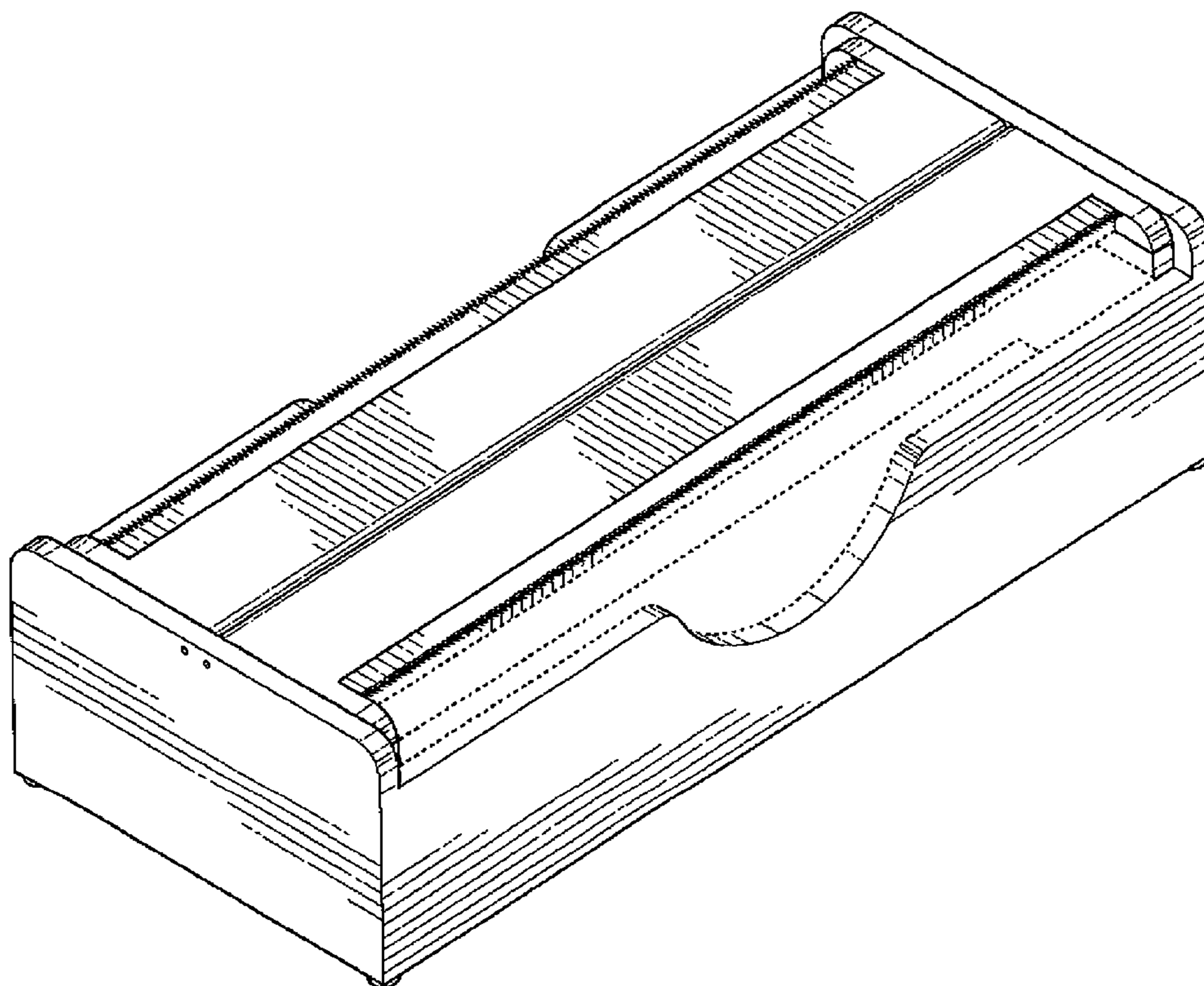
(57) **CLAIM**

The ornamental design for a wrap dock, as shown and described.

DESCRIPTION

FIG. 1 is a perspective view of the wrap dock; FIG. 2 is a first side view of the wrap dock; FIG. 3 is a second side view of the wrap dock; FIG. 4 is a front view of the wrap dock; FIG. 5 is a back view of the wrap dock; FIG. 6 is a top view of the wrap dock; FIG. 7 is a bottom view of the wrap dock; and, FIG. 8 is a perspective view of an open wrap dock. The broken lines shown in the figures represent portions of the wrap dock that form no part of the claimed design.

1 Claim, 8 Drawing Sheets



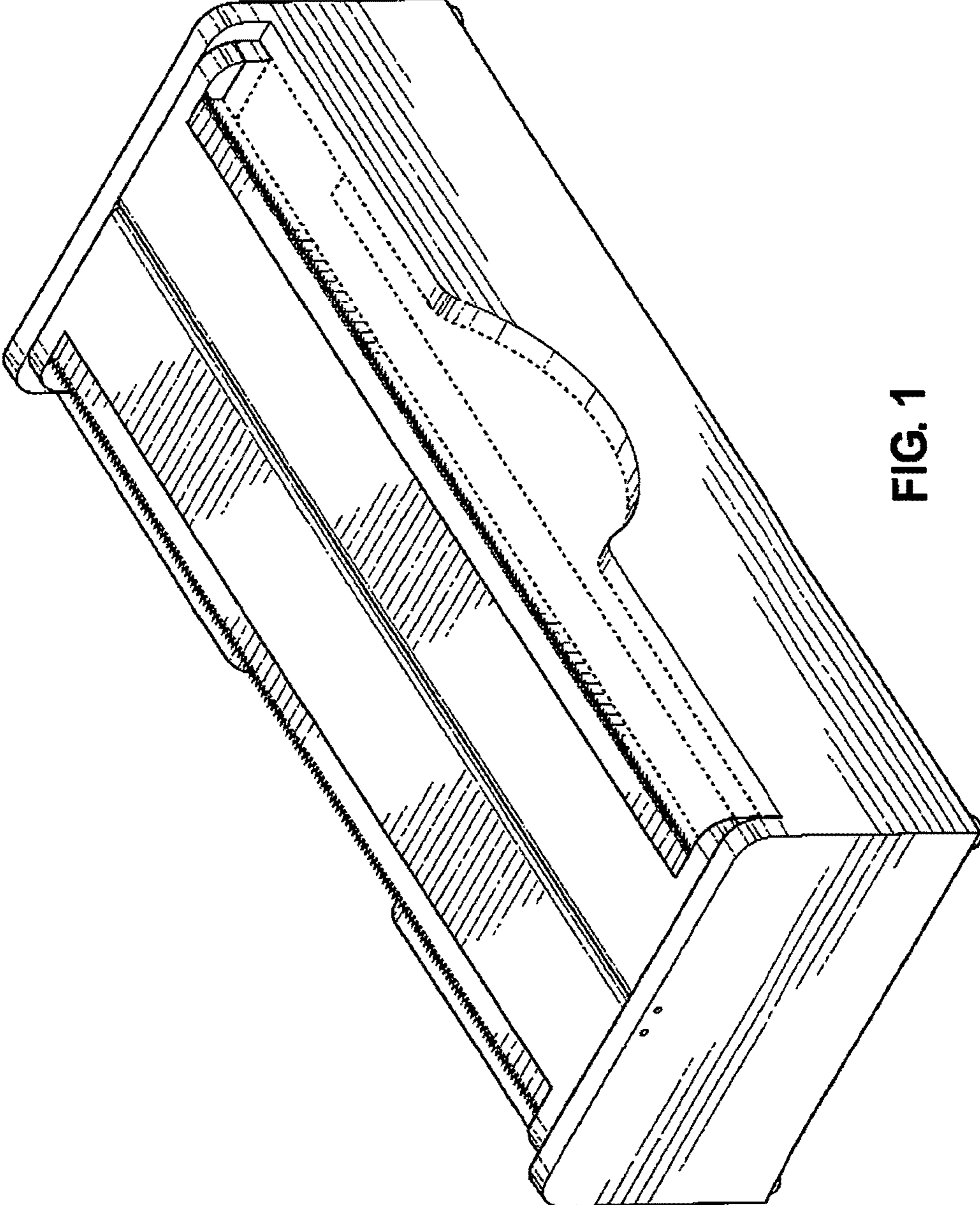


FIG. 1

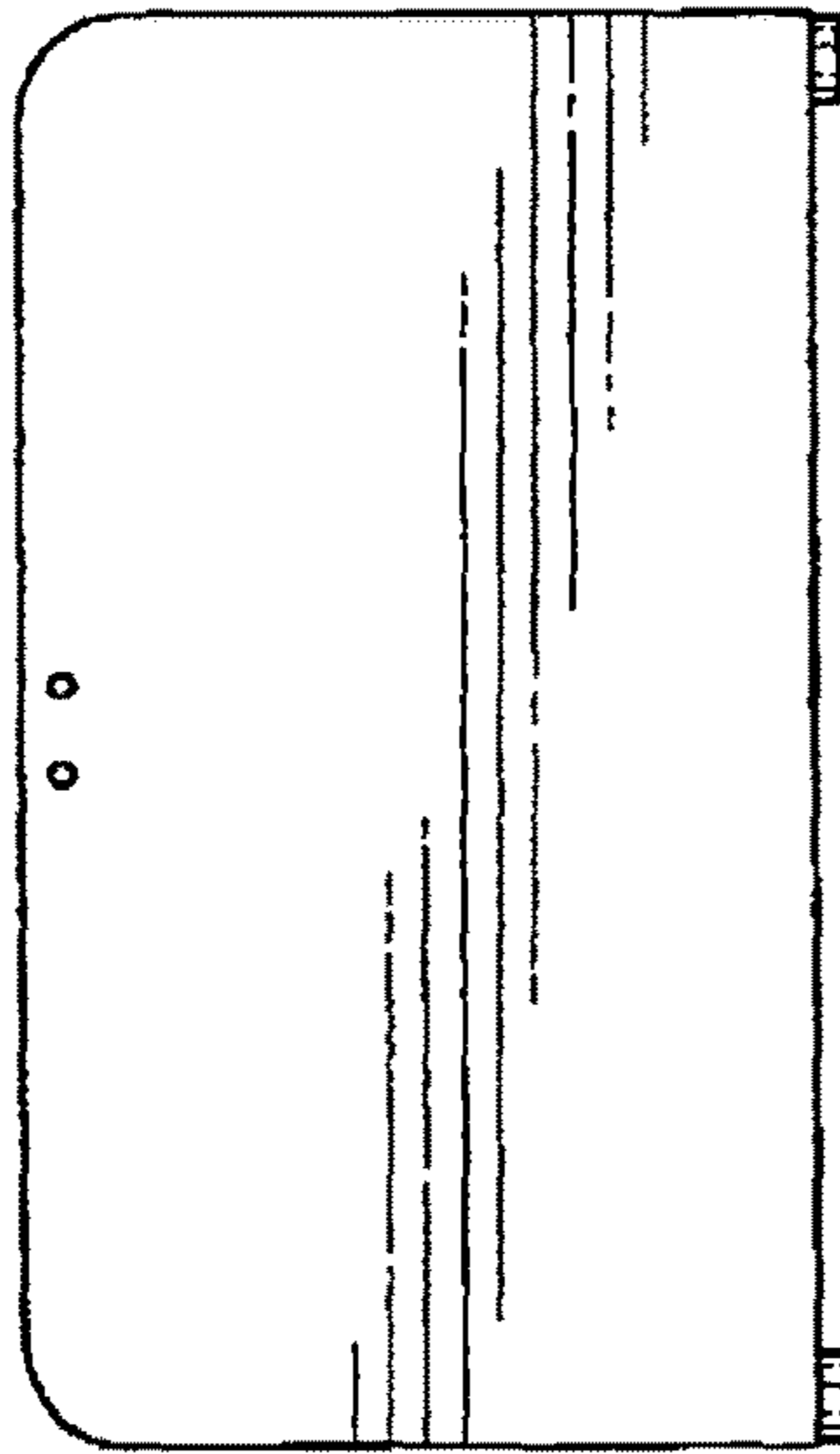


FIG. 2

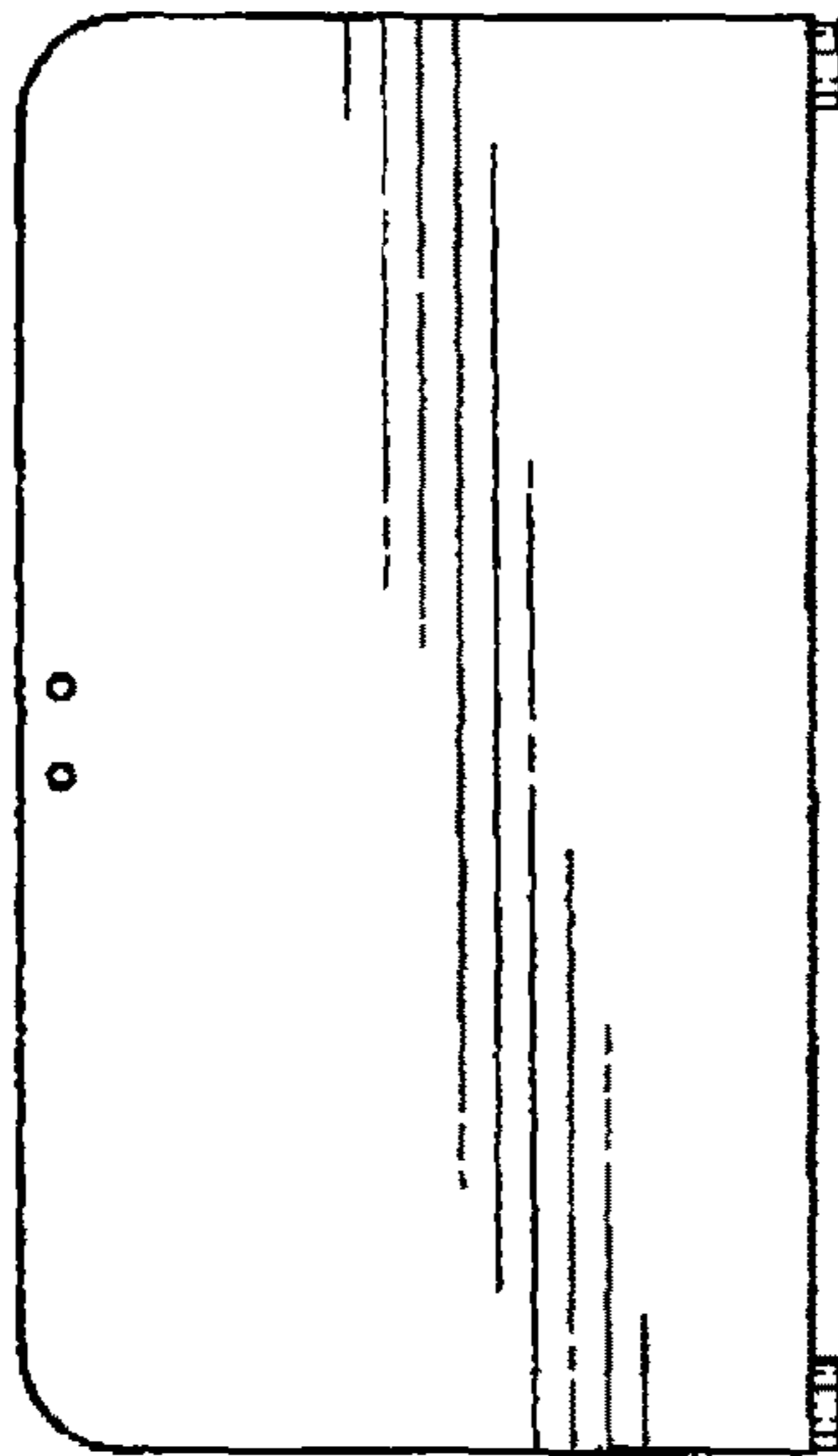


FIG. 3

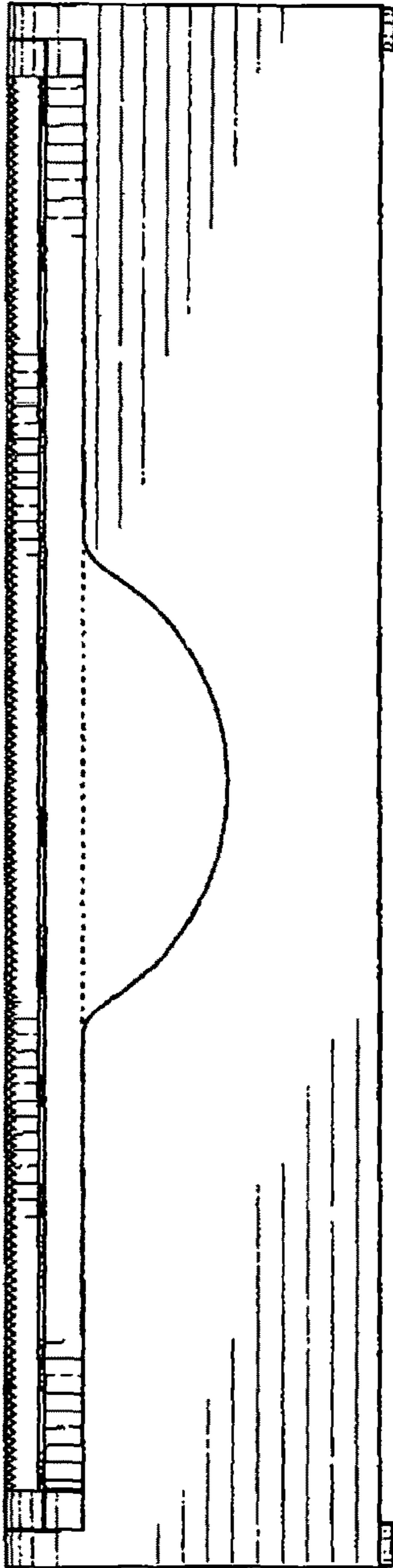


FIG. 4

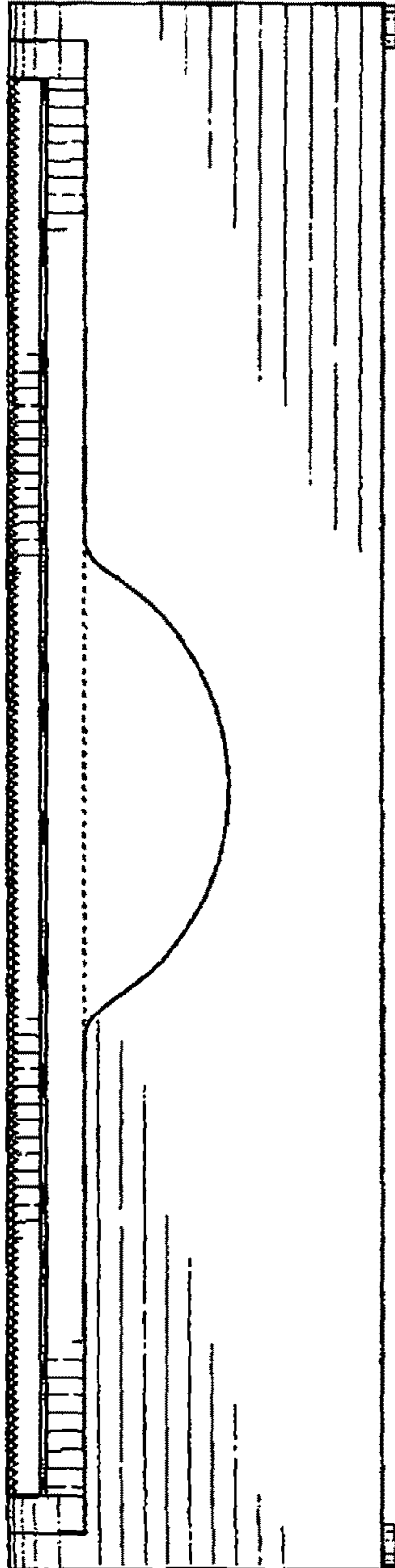


FIG. 5

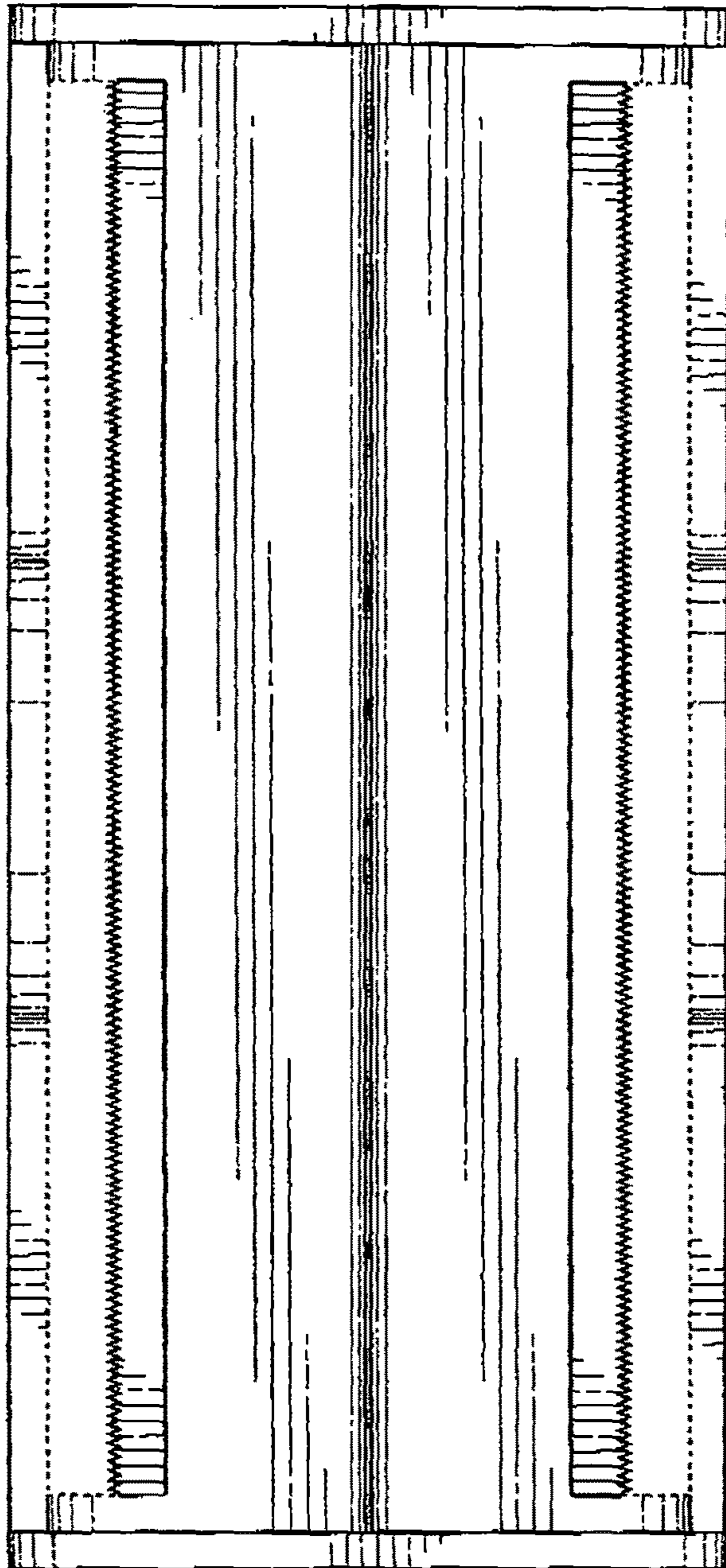


FIG. 6

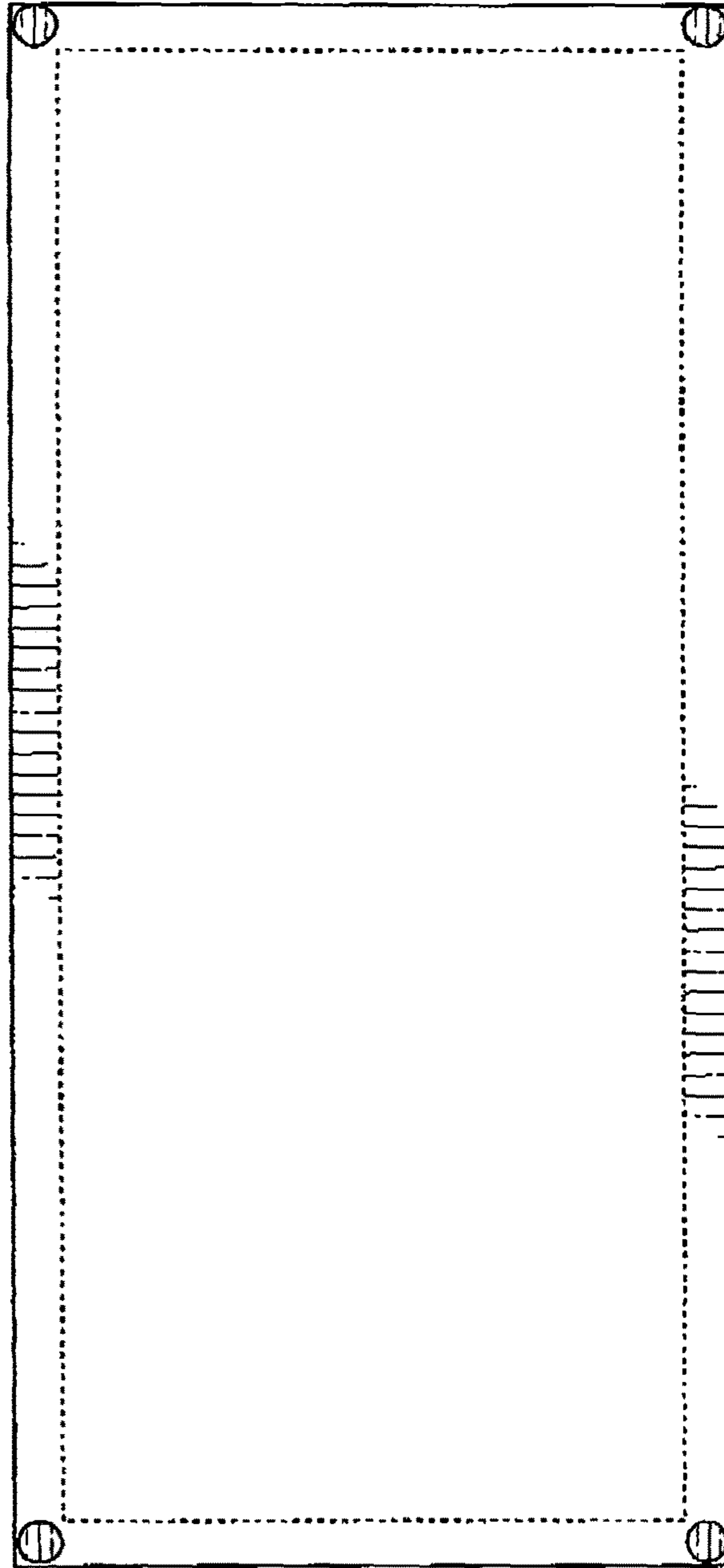


FIG. 7

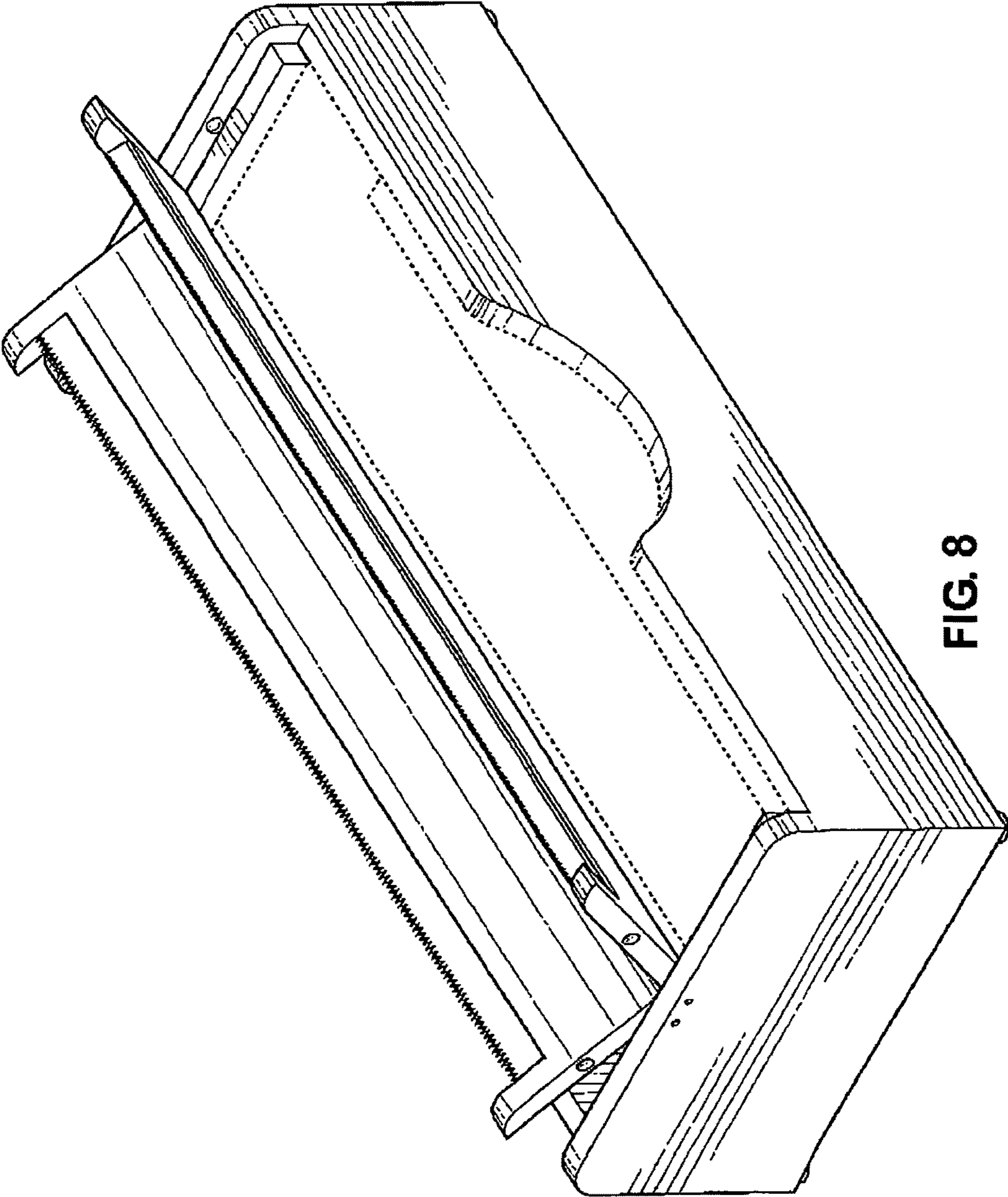


FIG. 8