



US00D839019S

(12) **United States Design Patent**
Spencer

(10) **Patent No.:** **US D839,019 S**

(45) **Date of Patent:** **** Jan. 29, 2019**

- (54) **ORGANIZER**
- (71) Applicant: **David Spencer**, Plano, TX (US)
- (72) Inventor: **David Spencer**, Plano, TX (US)
- (73) Assignee: **David Spencer**, Memphis, TN (US)
- (**) Term: **15 Years**
- (21) Appl. No.: **29/591,276**
- (22) Filed: **Jan. 18, 2017**
- (51) **LOC (11) Cl.** **06-04**
- (52) **U.S. Cl.**
USPC **D6/514; D6/513**
- (58) **Field of Classification Search**
USPC D6/553, 512-514, 566, 567, 569, 315,
D6/320, 327; 211/13.1, 30, 32, 70.6,
211/56.01, 87.01, 181.1; 248/301-304,
248/309.1, 309.2, 560, 121, 175, 200,
248/310, 312; D8/349, 354, 367, 372;
D22/147
CPC .. A61K 9/0056; A61K 31/435; A61K 31/445;
A61K 31/4468; A61K 9/006
See application file for complete search history.

- 5,025,936 A * 6/1991 Lamoureaux A47B 73/006
211/74
- D376,061 S * 12/1996 Aulenbach D6/513
- 5,704,495 A * 1/1998 Bale A61B 50/20
211/71.01
- D442,814 S * 5/2001 Sterling D6/553
- D494,399 S * 8/2004 Rodriguez D6/567
- D530,128 S * 10/2006 Doran D6/571
- D602,724 S * 10/2009 Liu D6/567
- D604,975 S * 12/2009 Racanelli D6/534
- D605,884 S * 12/2009 Owens D6/520
- D608,577 S * 1/2010 Racanelli D6/534
- D616,685 S * 6/2010 Priestman D6/546

(Continued)

Primary Examiner — David G Muller
Assistant Examiner — Nathan M Johnston
 (74) *Attorney, Agent, or Firm* — Conley Rose, P.C.; J. Robert Brown, Jr.

(57) **CLAIM**

The ornamental design for an organizer, as shown and described.

DESCRIPTION

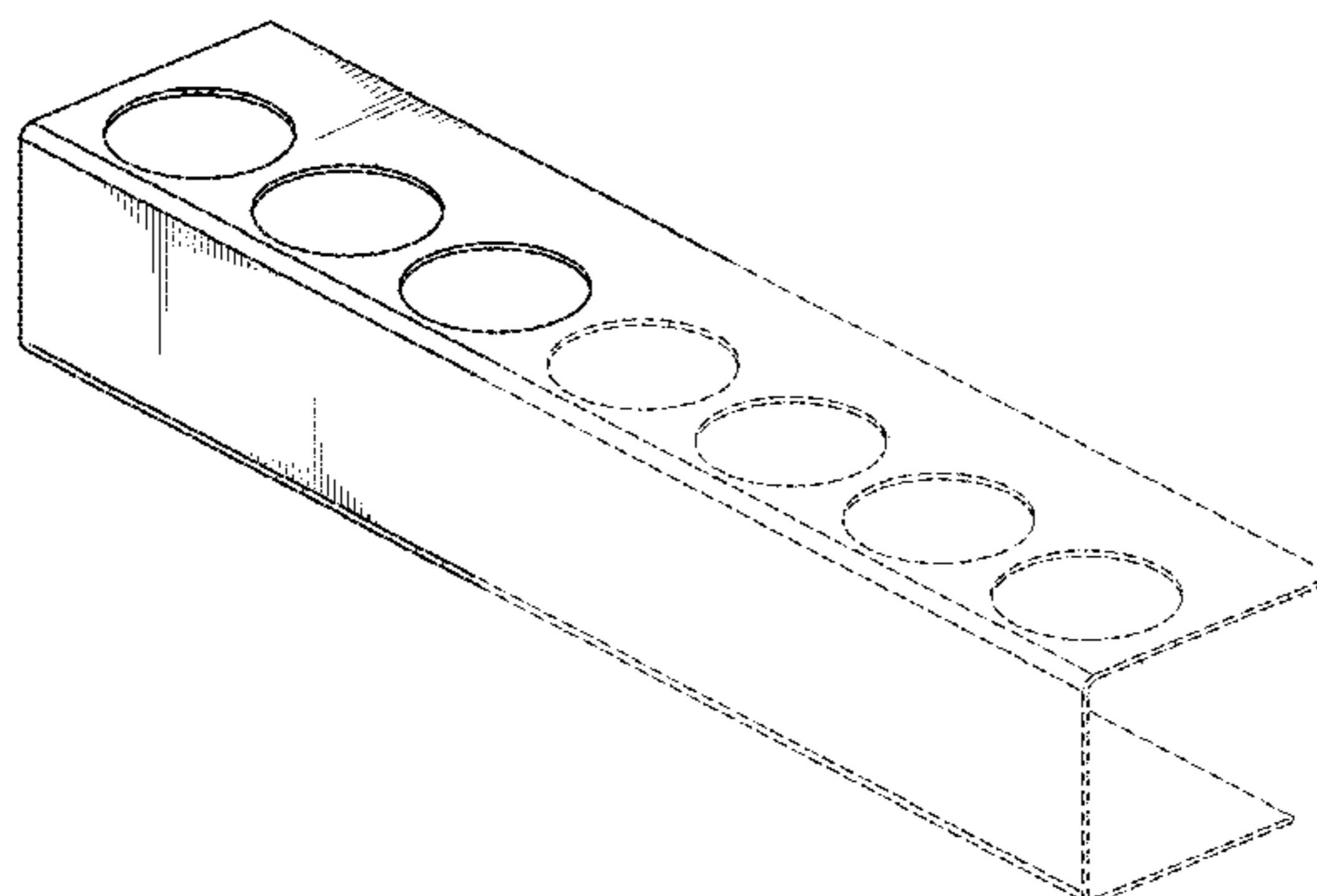
FIG. 1 is a front right perspective view of an organizer in accordance with the new design;
 FIG. 2 is a rear perspective view thereof;
 FIG. 3 is a top plan view thereof;
 FIG. 4 is a bottom plan view thereof;
 FIG. 5 is a front elevation view thereof;
 FIG. 6 is a rear elevation view thereof;
 FIG. 7 is a right side elevation view thereof;
 FIG. 8 is a left side elevation view thereof;
 FIG. 9 is a front right perspective view thereof shown with environment; and,
 FIG. 10 is an alternative view thereof, depicting an alternative environment thereof.
 The broken lines shown in the drawings are only provided to illustrate the environment of the design, and form no part of the claimed design.

1 Claim, 7 Drawing Sheets

(56) **References Cited**

U.S. PATENT DOCUMENTS

- D38,220 S * 9/1906 Beach 248/111
- D152,461 S * 1/1949 Elliot D6/531
- D171,567 S * 2/1954 Zarzana 248/311.2
- D201,984 S * 8/1965 Hervey D6/569
- D251,819 S * 5/1979 Nuttall D6/569
- D257,458 S * 10/1980 Benoit D6/531
- D260,830 S * 9/1981 Trouba D6/552
- 4,700,849 A * 10/1987 Wagner A47B 73/00
211/113
- D294,530 S * 3/1988 Carluccio D28/73
- D294,548 S * 3/1988 Wallace D6/558
- D304,401 S * 11/1989 Wagner D6/514



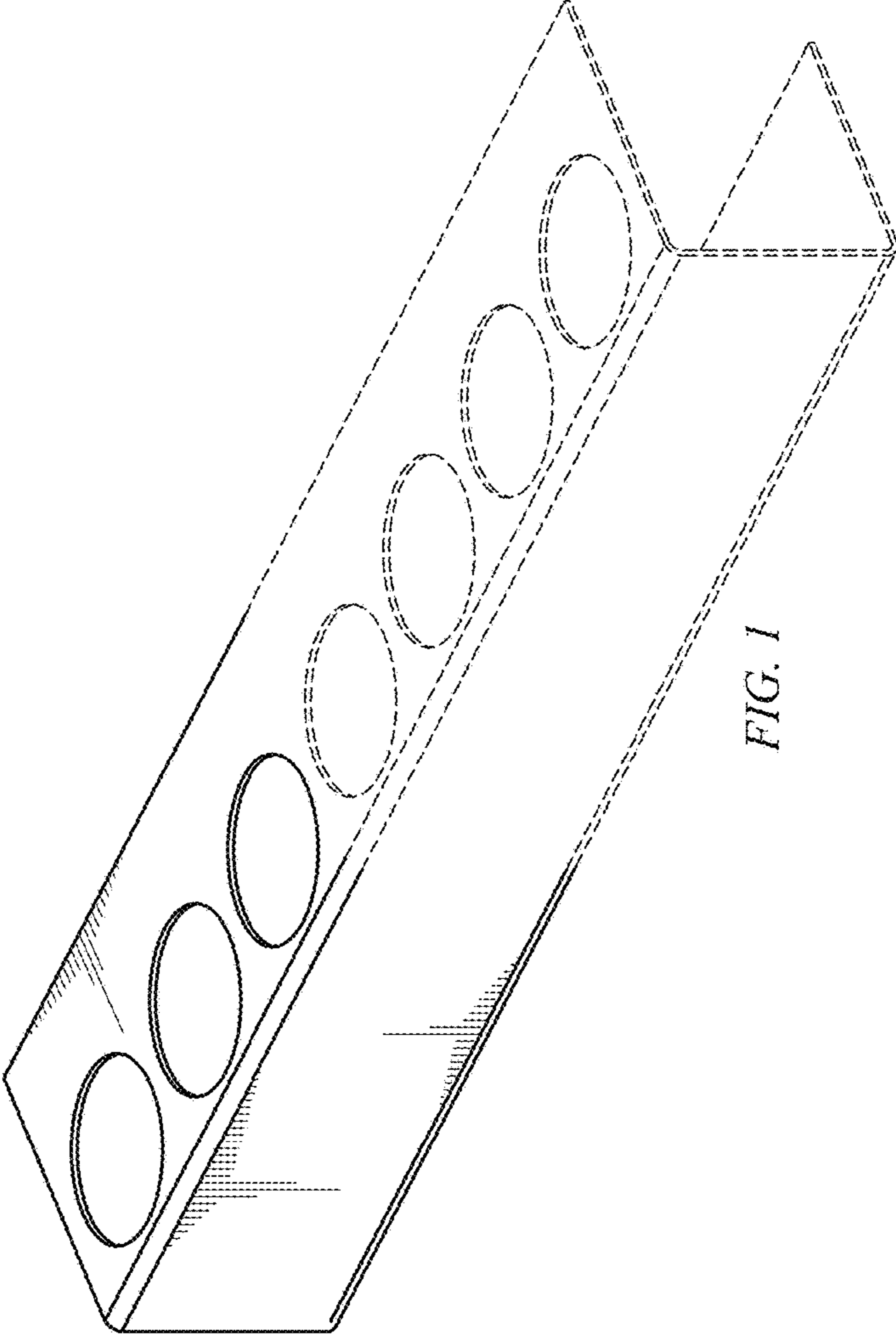
(56)

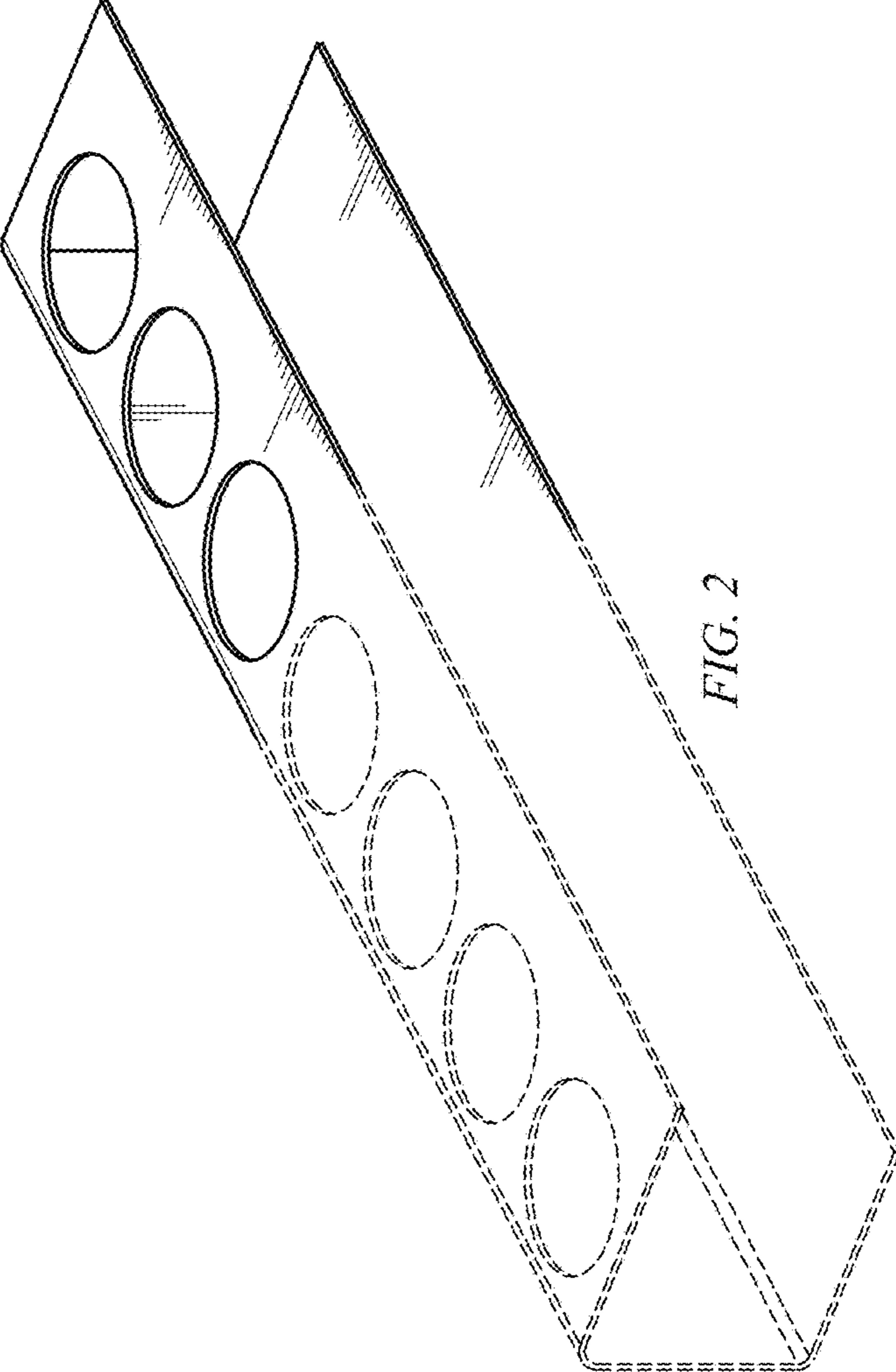
References Cited

U.S. PATENT DOCUMENTS

D639,097 S *	6/2011	Hayes	D6/567
D648,162 S *	11/2011	Michnuk	D6/534
D747,177 S *	1/2016	McGinty	D8/349
D774,325 S *	12/2016	Belokin	D6/571

* cited by examiner





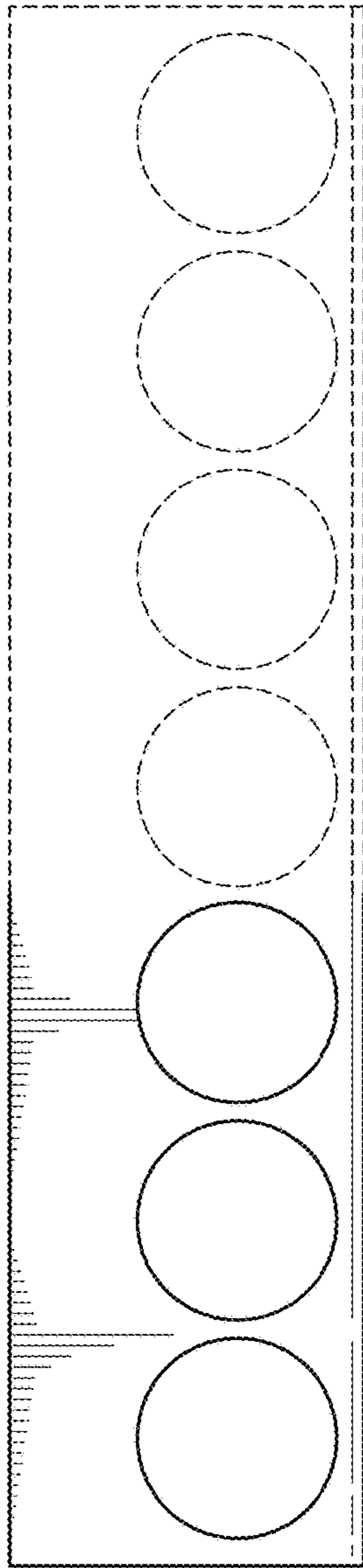


FIG. 3

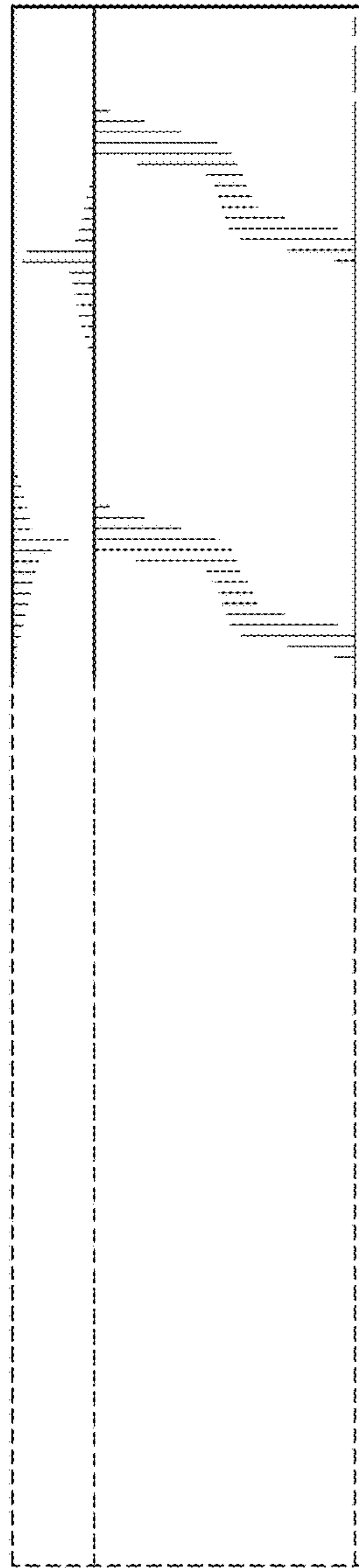


FIG. 4

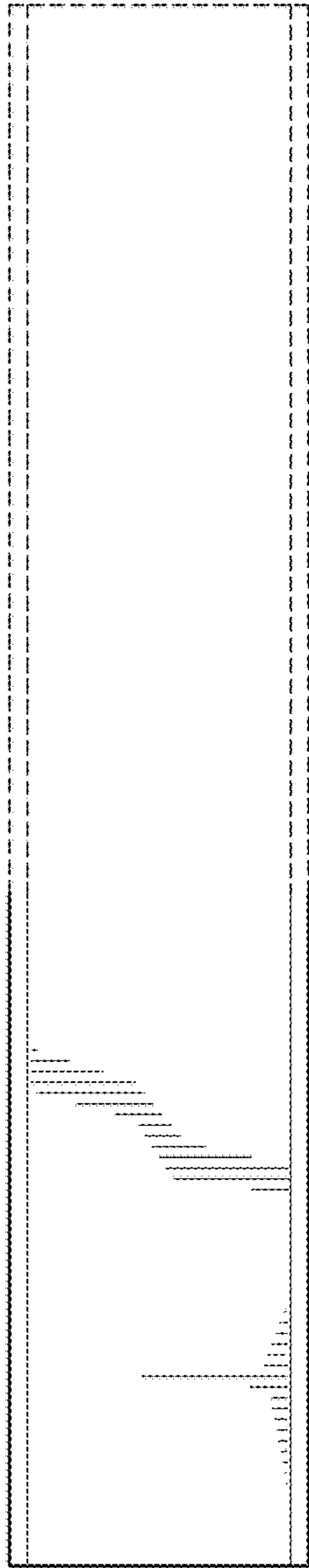


FIG. 5

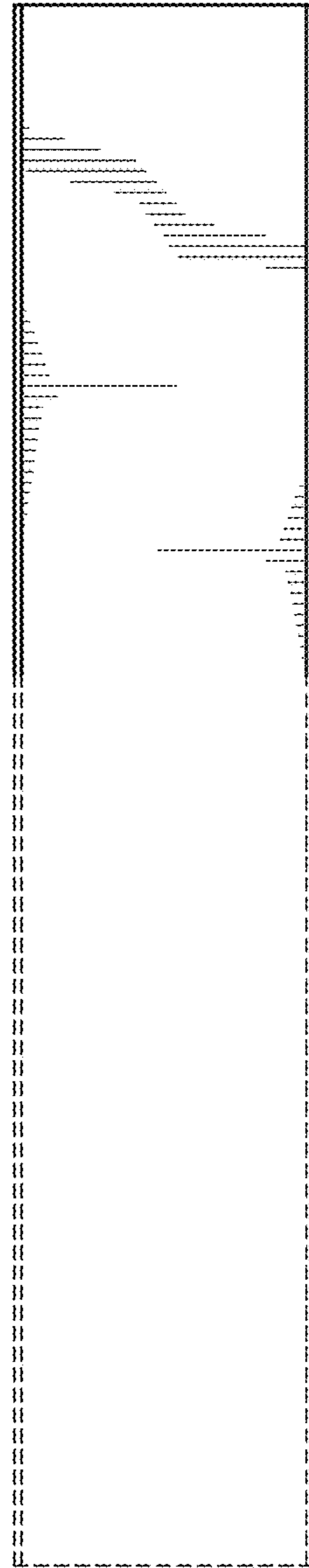


FIG. 6



FIG. 7



FIG. 8

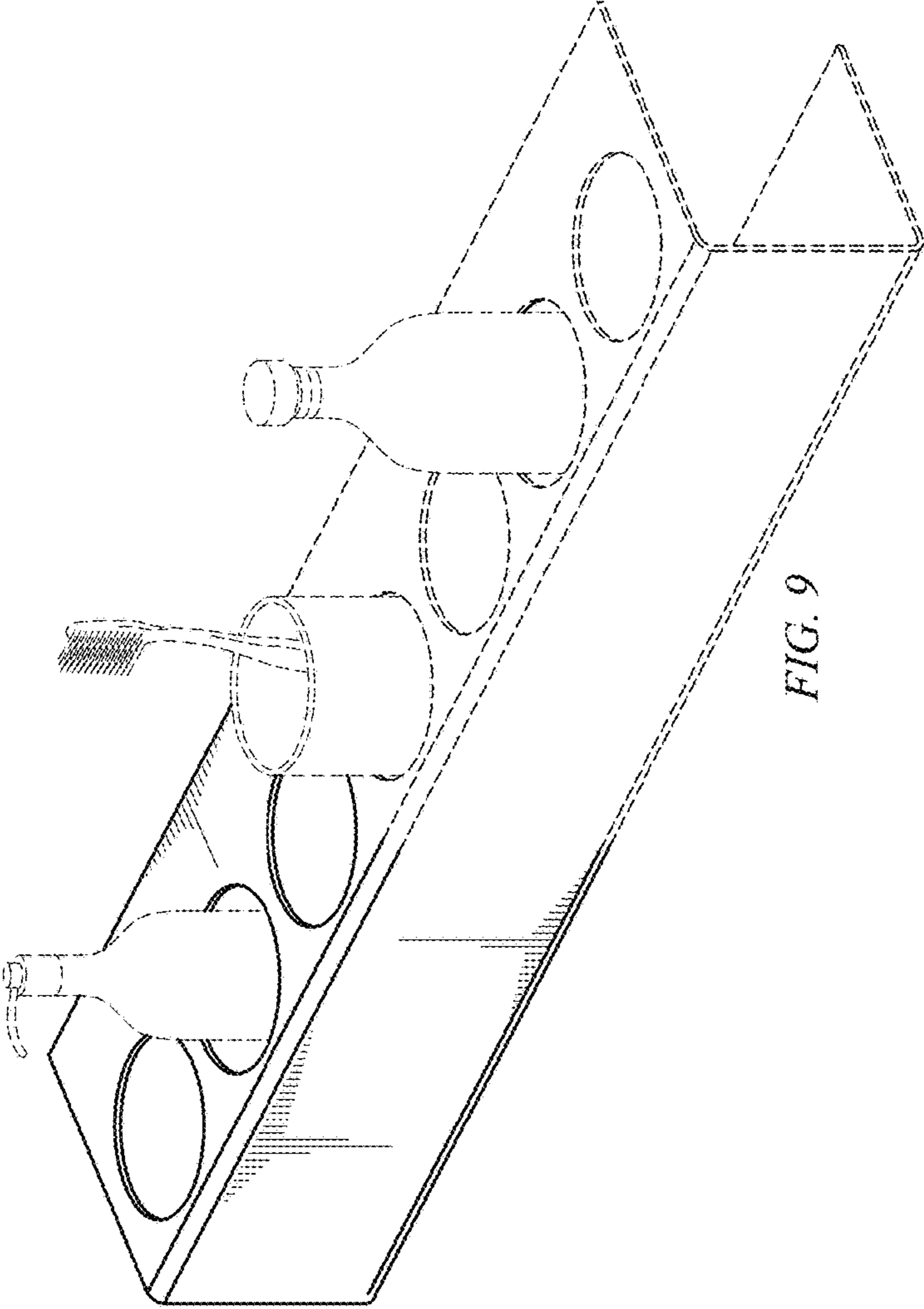


FIG. 9

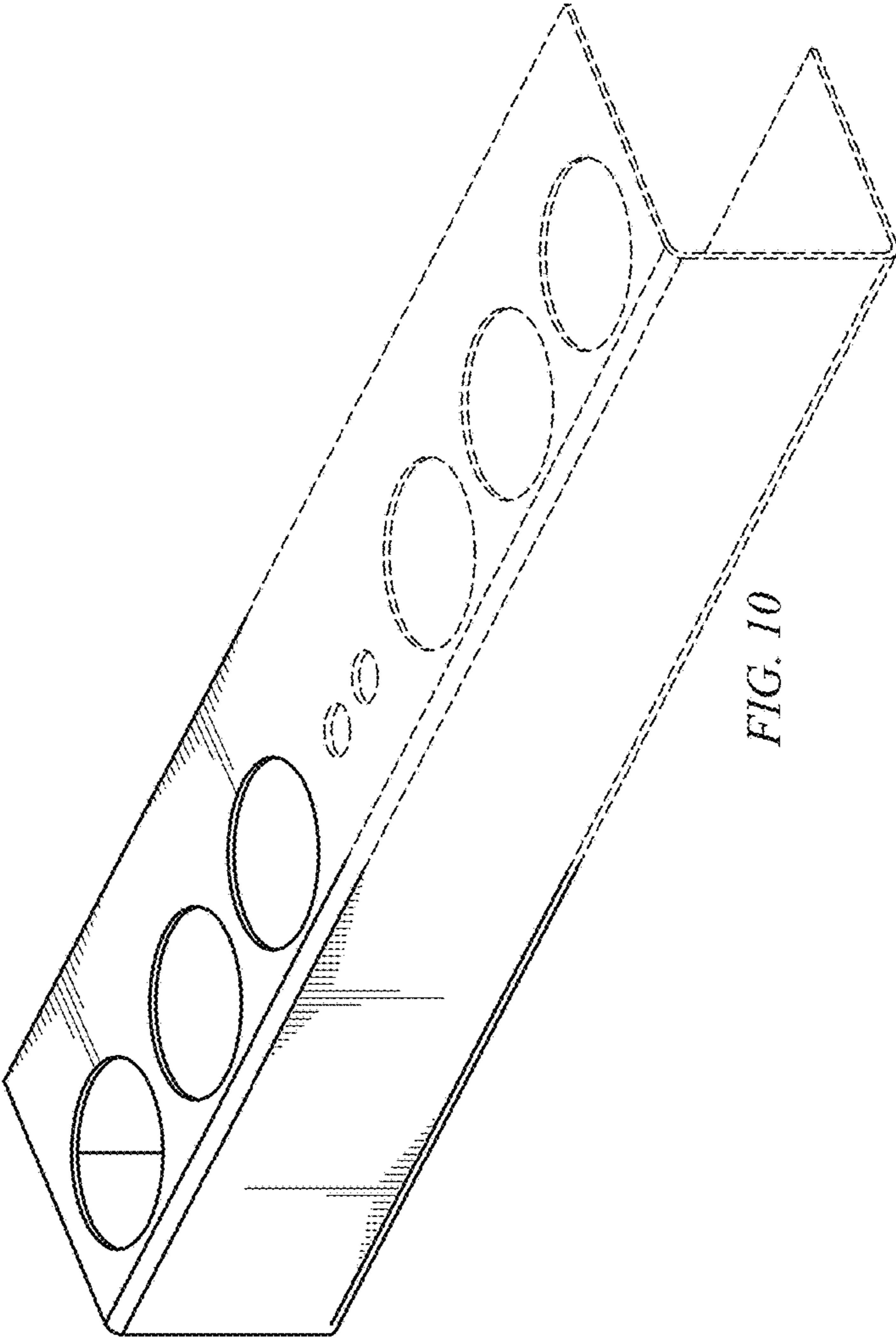


FIG. 10