



US00D839018S

(12) **United States Design Patent**  
**Boitor et al.**

(10) **Patent No.:** **US D839,018 S**  
(45) **Date of Patent:** **\*\* Jan. 29, 2019**

(54) **WATER BOTTLE STAND**

(71) Applicant: **APPLIED IP, LLC**, Concord, CA (US)  
(72) Inventors: **Mihai I. A. Boitor**, Concord, CA (US);  
**Michael Shih-Ta Chen**, Hong Kong (CN); **Shih-Hsiung Chen**, Concord, CA (US); **Shih-Tso Chen**, Concord, CA (US); **William R. Gianni**, Concord, CA (US)

(73) Assignee: **APPLIED IP, LLC**, Concord, CA (US)

(\*\*) Term: **15 Years**

(21) Appl. No.: **29/594,649**

(22) Filed: **Feb. 21, 2017**

(51) **LOC (11) Cl.** ..... **06-06**

(52) **U.S. Cl.**  
USPC ..... **D6/512**

(58) **Field of Classification Search**  
USPC ..... D14/224, 229, 238, 251, 253, 433, 434,  
D14/447, 451; D16/219, 237-250;  
D8/354-356, 363, 367-371, 373,  
D8/382-383, 394-396; D6/512, 552  
CPC ..... G03B 17/56; G03B 17/561-17/568; G02B  
7/00-7/002; H04N 5/2253-5/2254; F16M  
11/04-11/12; A45F  
2200/0508-2200/0533; A45F 5/00; A45F  
5/10

See application file for complete search history.

(56) **References Cited**

**U.S. PATENT DOCUMENTS**

D268,458 S *	4/1983	Schoenig	.....	D16/244
D415,805 S *	10/1999	Wygonik	.....	D16/244
D435,365 S *	12/2000	Eason	.....	D16/244
D450,339 S *	11/2001	Eason	.....	D16/244
6,789,772 B2 *	9/2004	Eason	.....	F16M 11/16 248/166

(Continued)

**OTHER PUBLICATIONS**

Manfrotto Super High Camera Stand. [online] Published on Feb. 25, 2010. Retrieved Nov. 17, 2017 from URL: [https://www.bhphotovideo.com/c/product/525379-RE/Manfrotto\\_269HDB\\_3U\\_Super\\_High\\_Camera\\_Stand.html](https://www.bhphotovideo.com/c/product/525379-RE/Manfrotto_269HDB_3U_Super_High_Camera_Stand.html).\*

(Continued)

*Primary Examiner* — Vy N Koenig  
(74) *Attorney, Agent, or Firm* — Charles L. Thoerning

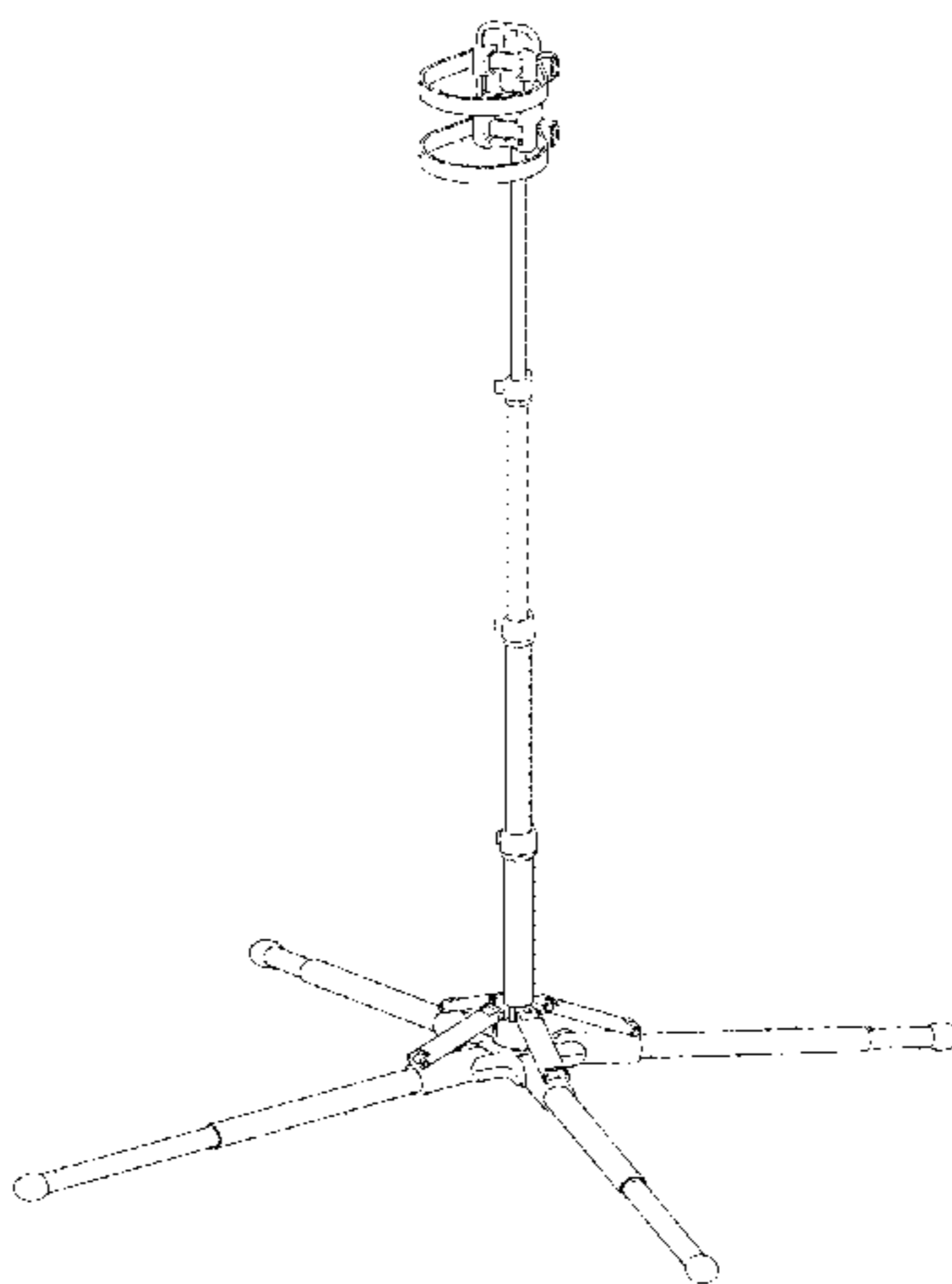
(57) **CLAIM**

The ornamental design for a water bottle stand, as shown and described.

**DESCRIPTION**

FIG. 1 is an isometric top right view of a water bottle stand in a first environment of use showing our new design. FIG. 2 is an isometric top right view of a water bottle stand in a second environment of use showing our new design. FIG. 3 is a right side orthogonal view of the water bottle stand of FIG. 1; the left side orthogonal view of the water bottle stand of FIG. 1 is the mirror image of FIG. 3. FIG. 4 is a back side orthogonal view of the water bottle stand of FIG. 1. FIG. 5 is an enlarged view of FIG. 3 taken at “5”. FIG. 6 is an enlarged view of FIG. 4 taken at “6”. FIG. 7 is an isometric top right view of the water bottle stand of FIG. 9 folded together and the top element detached. FIG. 8 is a right side orthogonal view of FIG. 7; the left side orthogonal view of FIG. 7 is the mirror image of FIG. 8. FIG. 9 is a front side orthogonal view of a water bottle stand showing our new design. FIG. 10 is a top plan view of the water bottle stand of FIG. 9; and, FIG. 11 is a sectional view of FIG. 9 taken at “11-11”.

**1 Claim, 9 Drawing Sheets**



(56)

**References Cited**

U.S. PATENT DOCUMENTS

D506,219	S *	6/2005	Eason .....	D16/244
D552,660	S *	10/2007	Lee .....	D16/242
D570,618	S *	6/2008	Tai .....	D14/229
D632,720	S *	2/2011	Barker .....	D16/244
D670,752	S *	11/2012	Barber .....	D16/242
D687,421	S *	8/2013	Slaton .....	D14/229
D693,665	S *	11/2013	Brown .....	D16/244
D720,384	S *	12/2014	Holmen .....	D16/244
D723,311	S *	3/2015	Jiang .....	D14/253
D788,207	S *	5/2017	Glazer .....	D16/242
D798,366	S *	9/2017	Glazer .....	D16/242
2002/0070319	A1 *	6/2002	Yu .....	G10G 5/00 248/122.1
2004/0011930	A1 *	1/2004	Tuohy, III .....	A47G 23/0241 248/146
2006/0175483	A1 *	8/2006	Osaka .....	F16M 11/105 248/177.1
2008/0011344	A1 *	1/2008	Barker .....	F16M 11/14 135/66
2010/0243828	A1 *	9/2010	Lippert .....	A47B 19/002 248/157

OTHER PUBLICATIONS

Nanopole Lightweight Two-in-One Portable Stand. [online] Retrieved Nov. 17, 2017 from URL: <https://www.manfrotto.us/nanopole-lightweight-two-in-one-portable-stand-boom-pole>.\*

\* cited by examiner

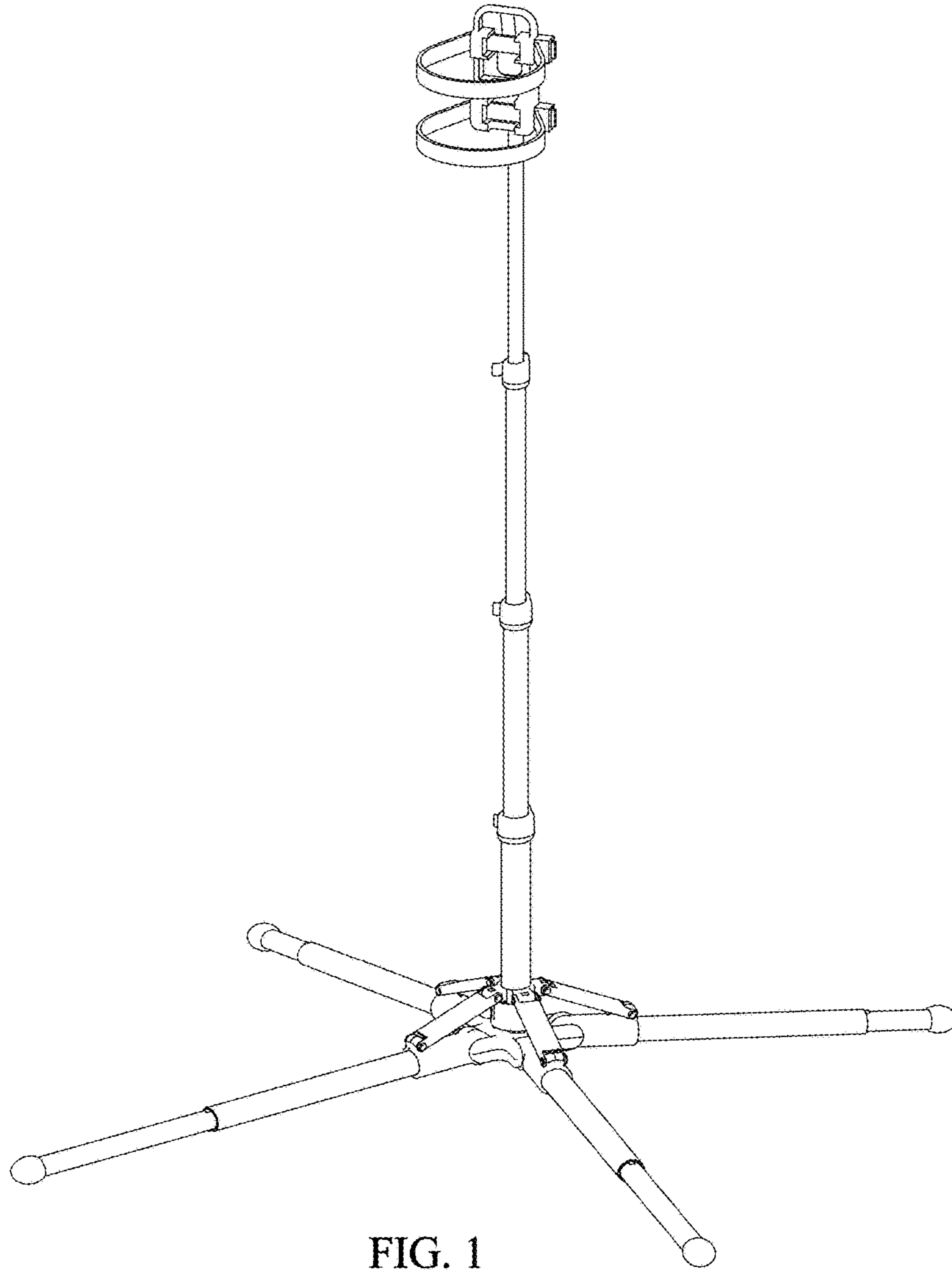


FIG. 1

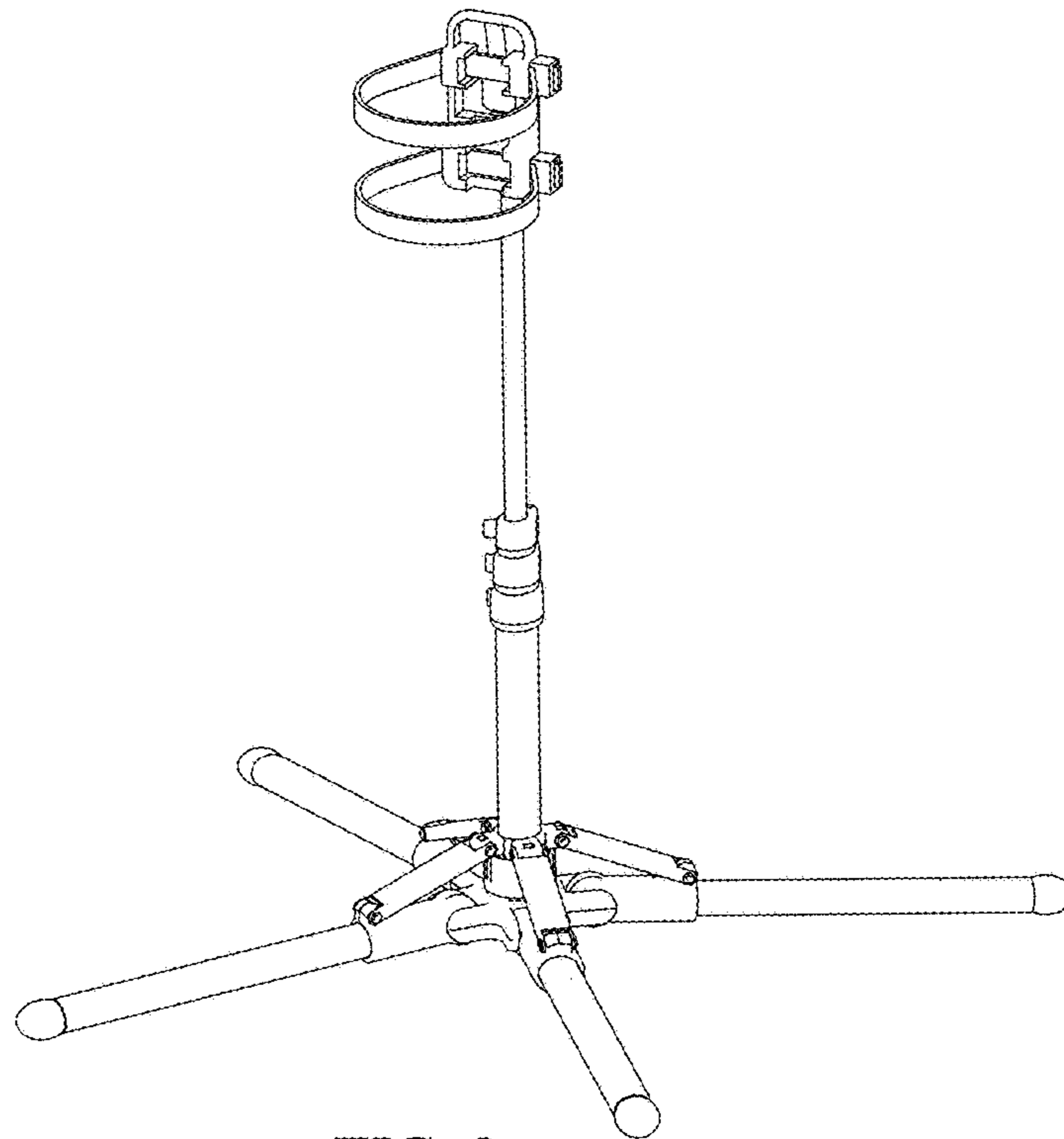


FIG. 2

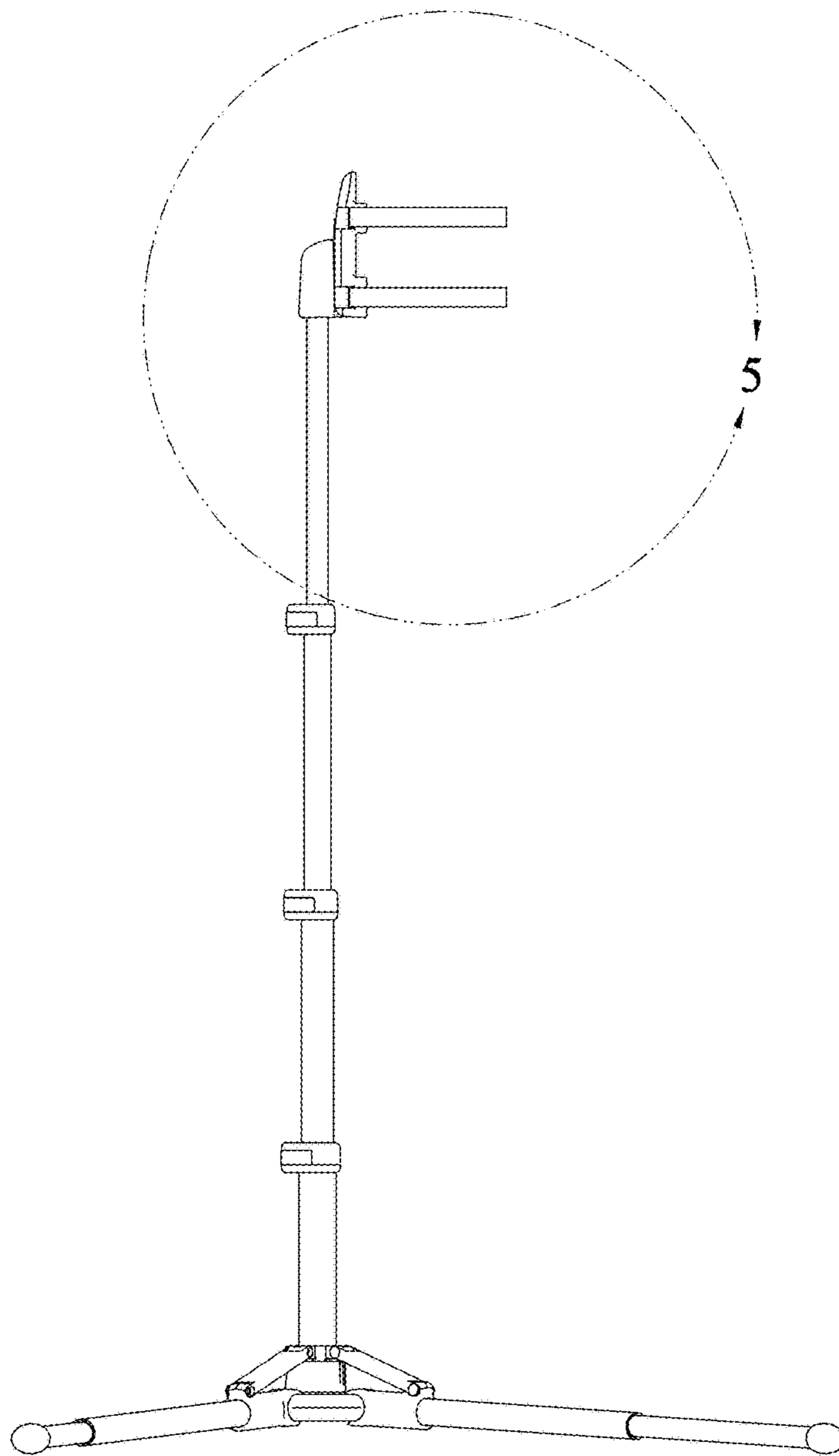


FIG. 3

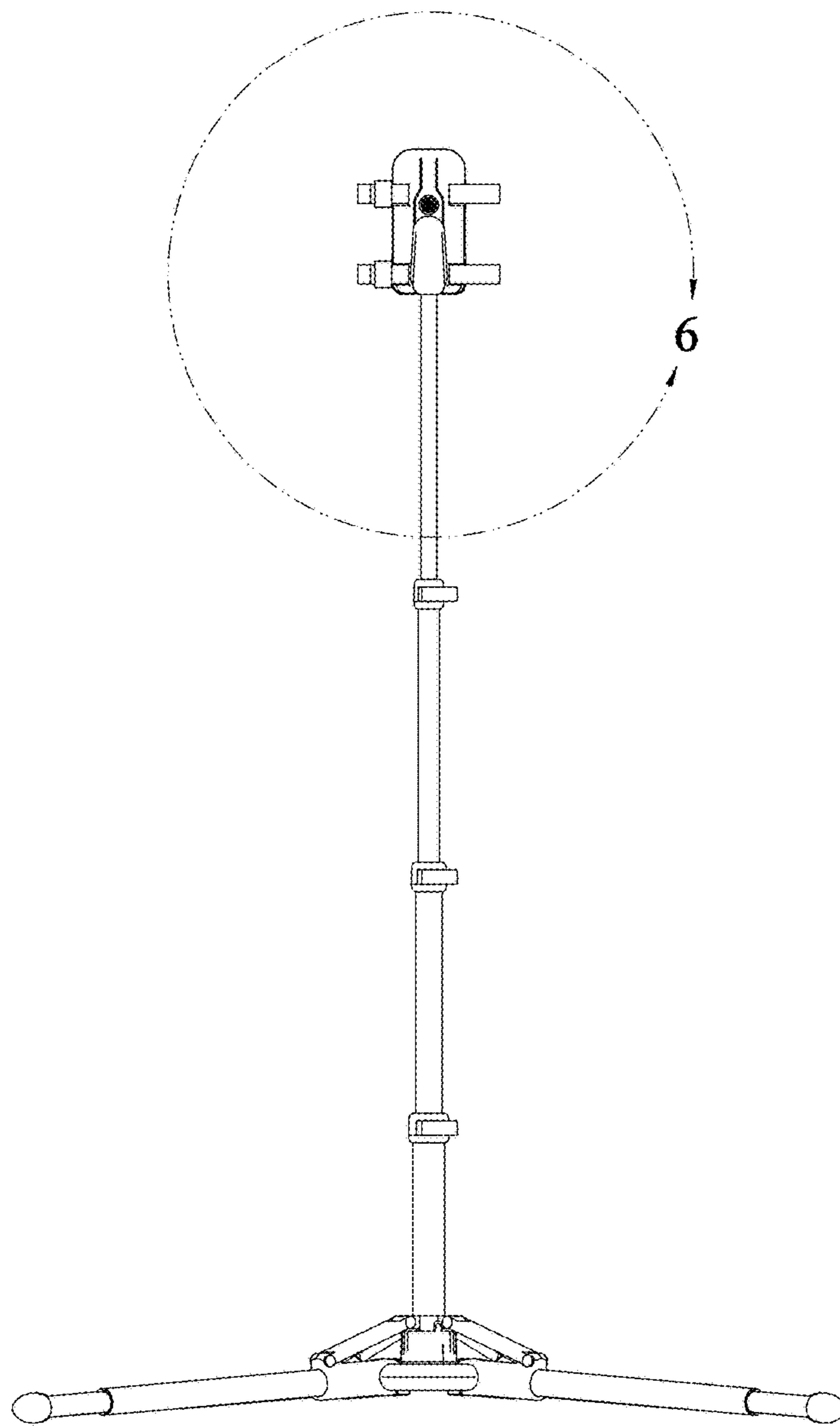


FIG. 4

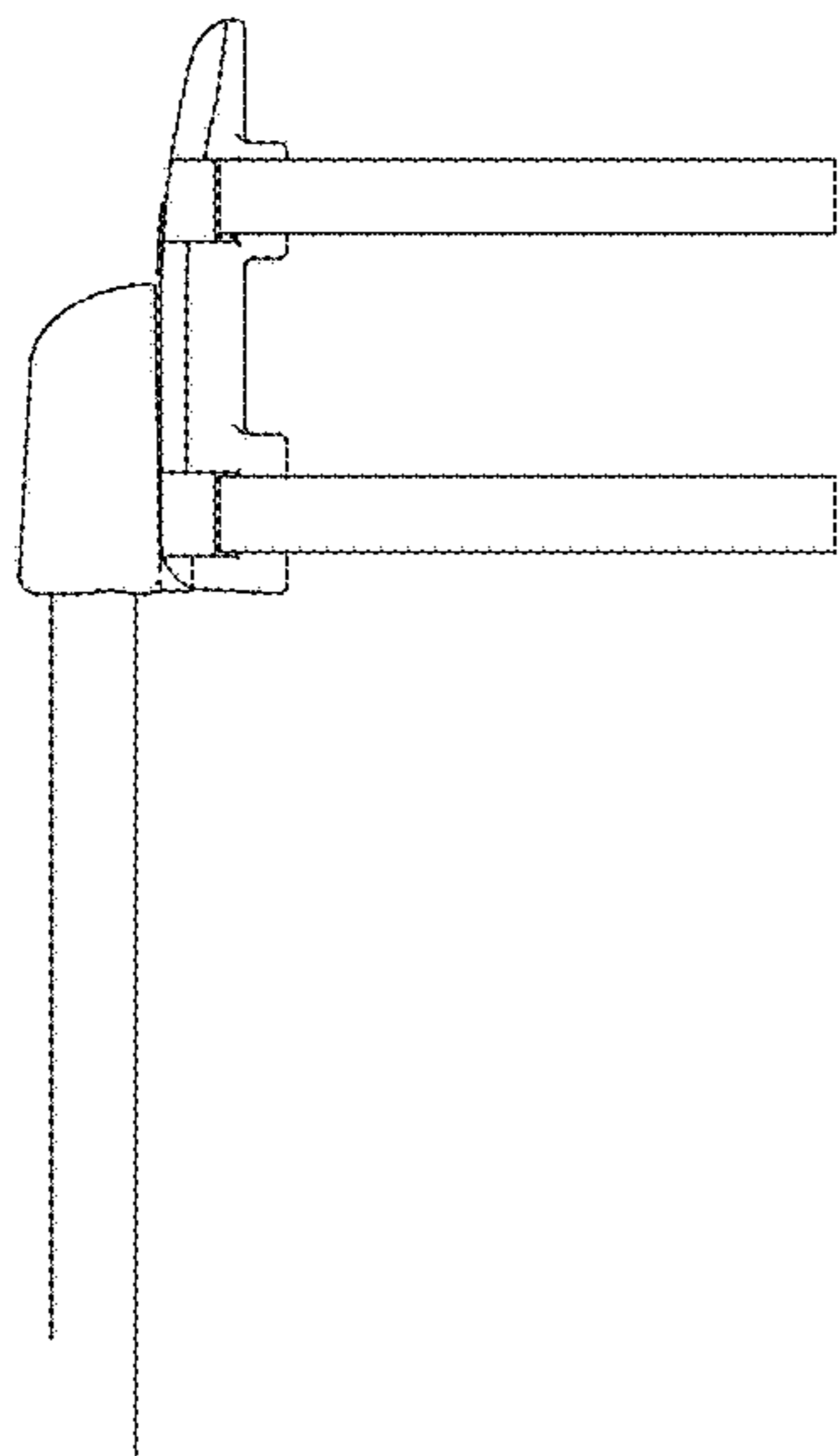


FIG. 5

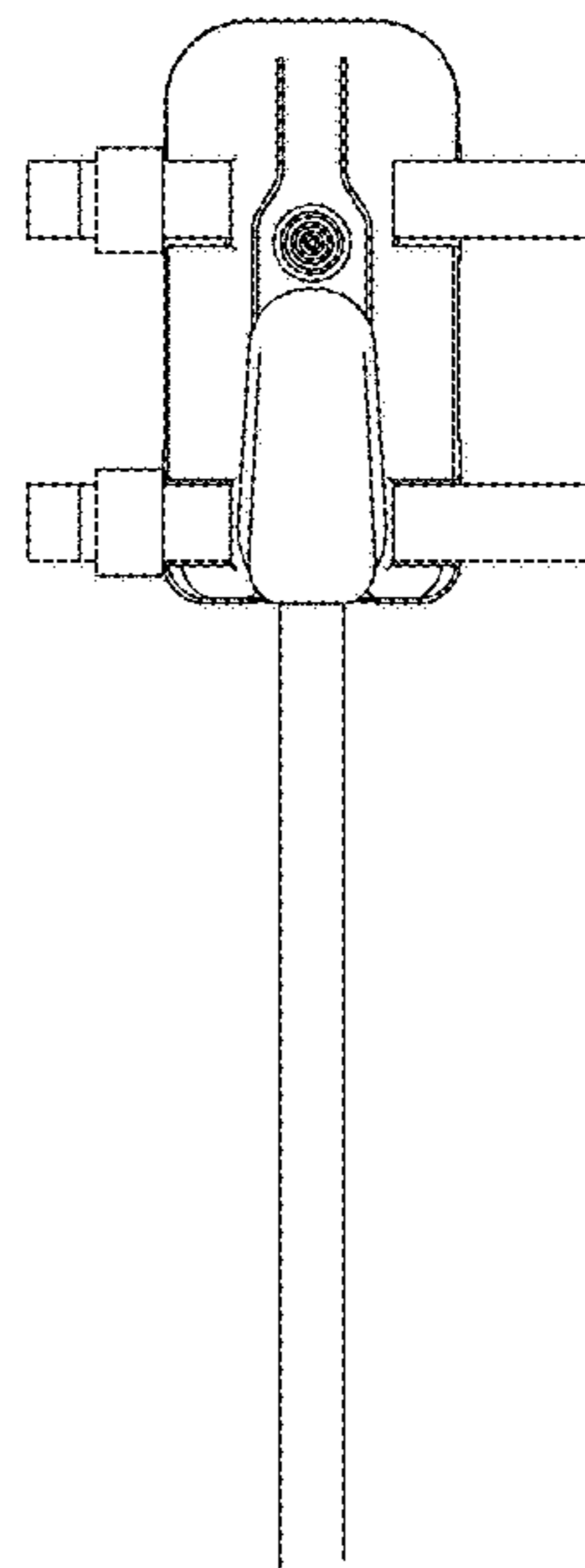


FIG. 6

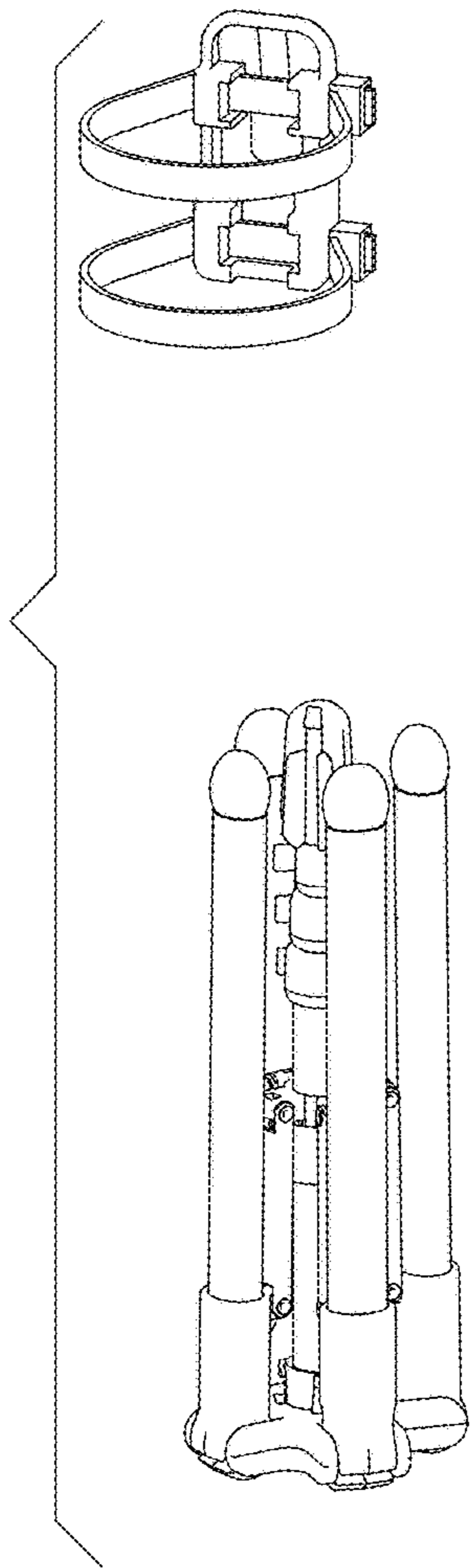


FIG. 7

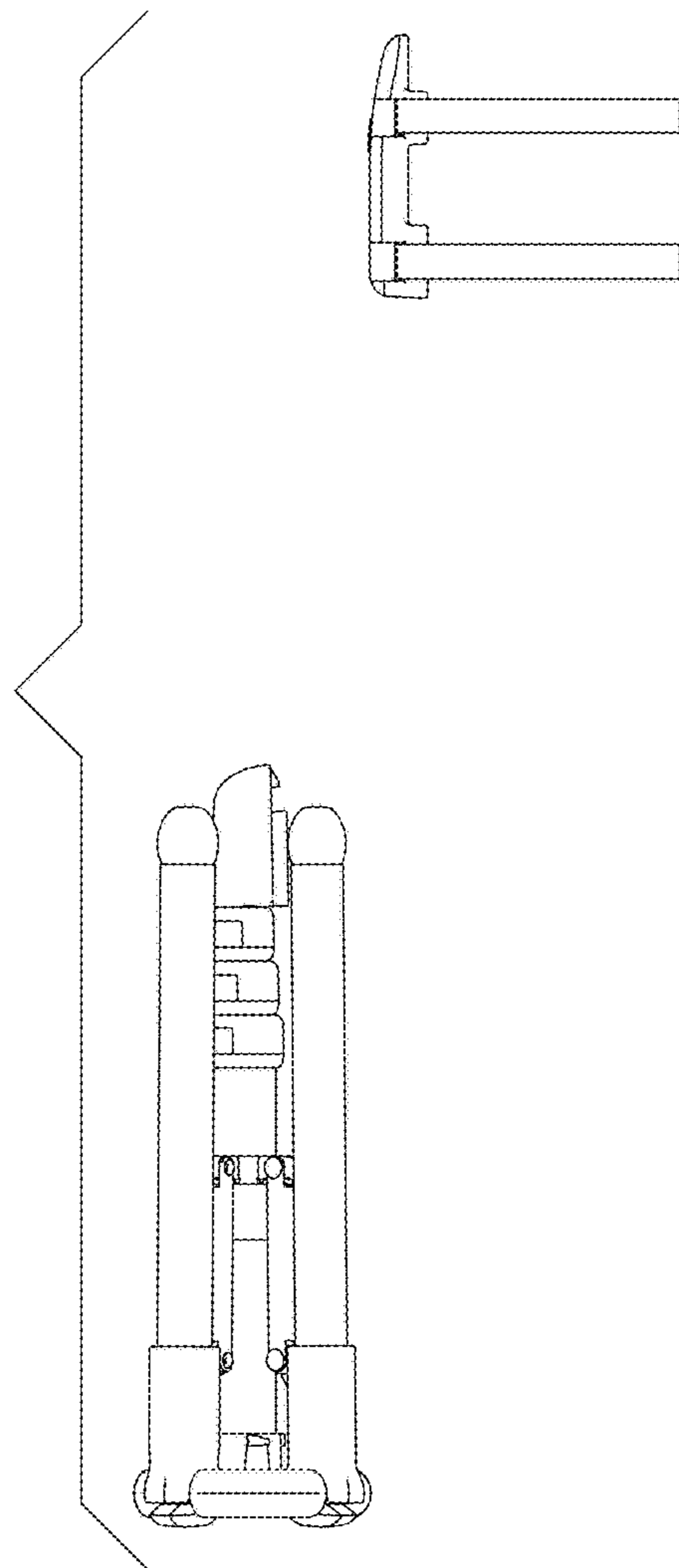


FIG. 8



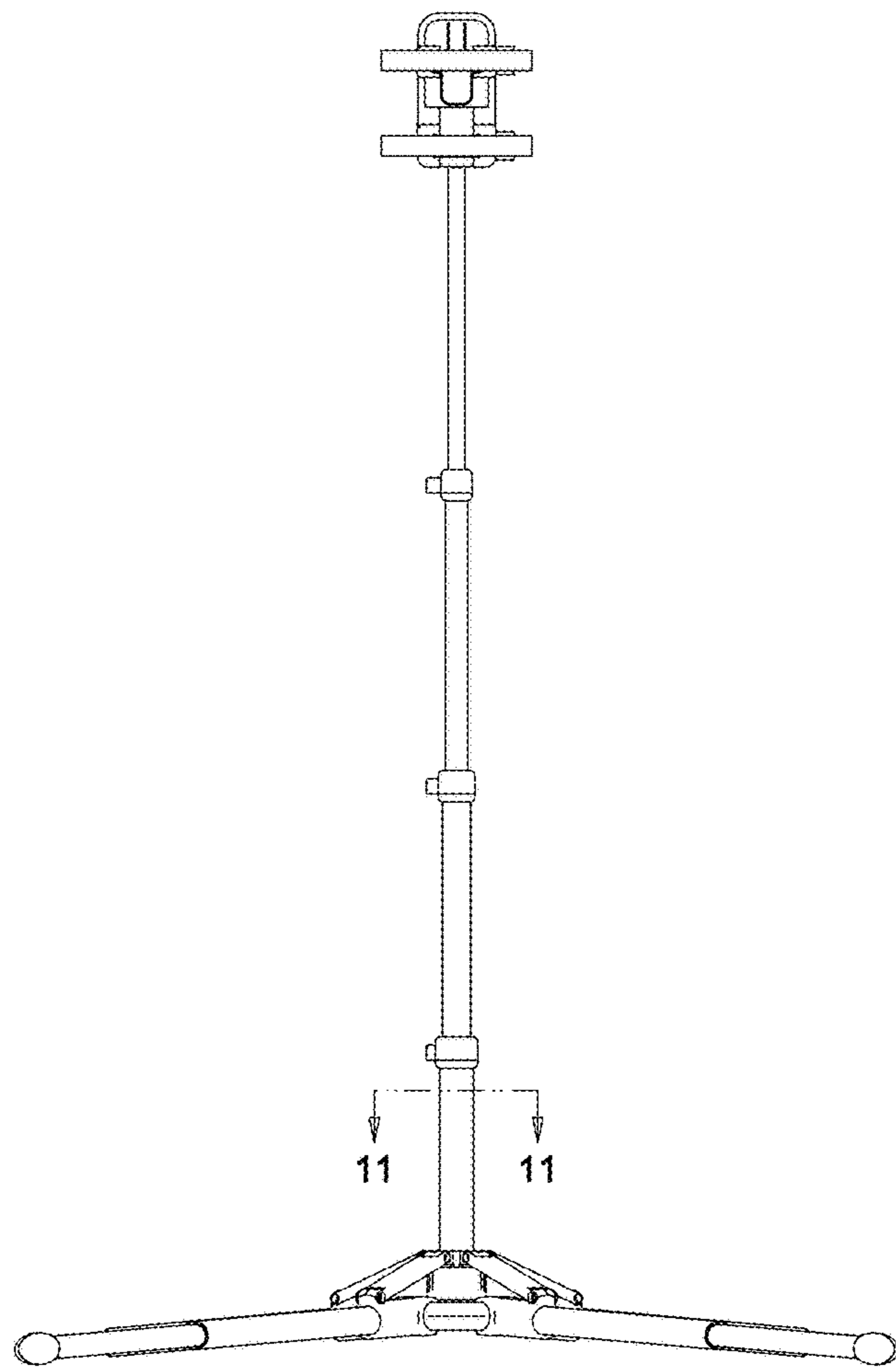


FIG. 9

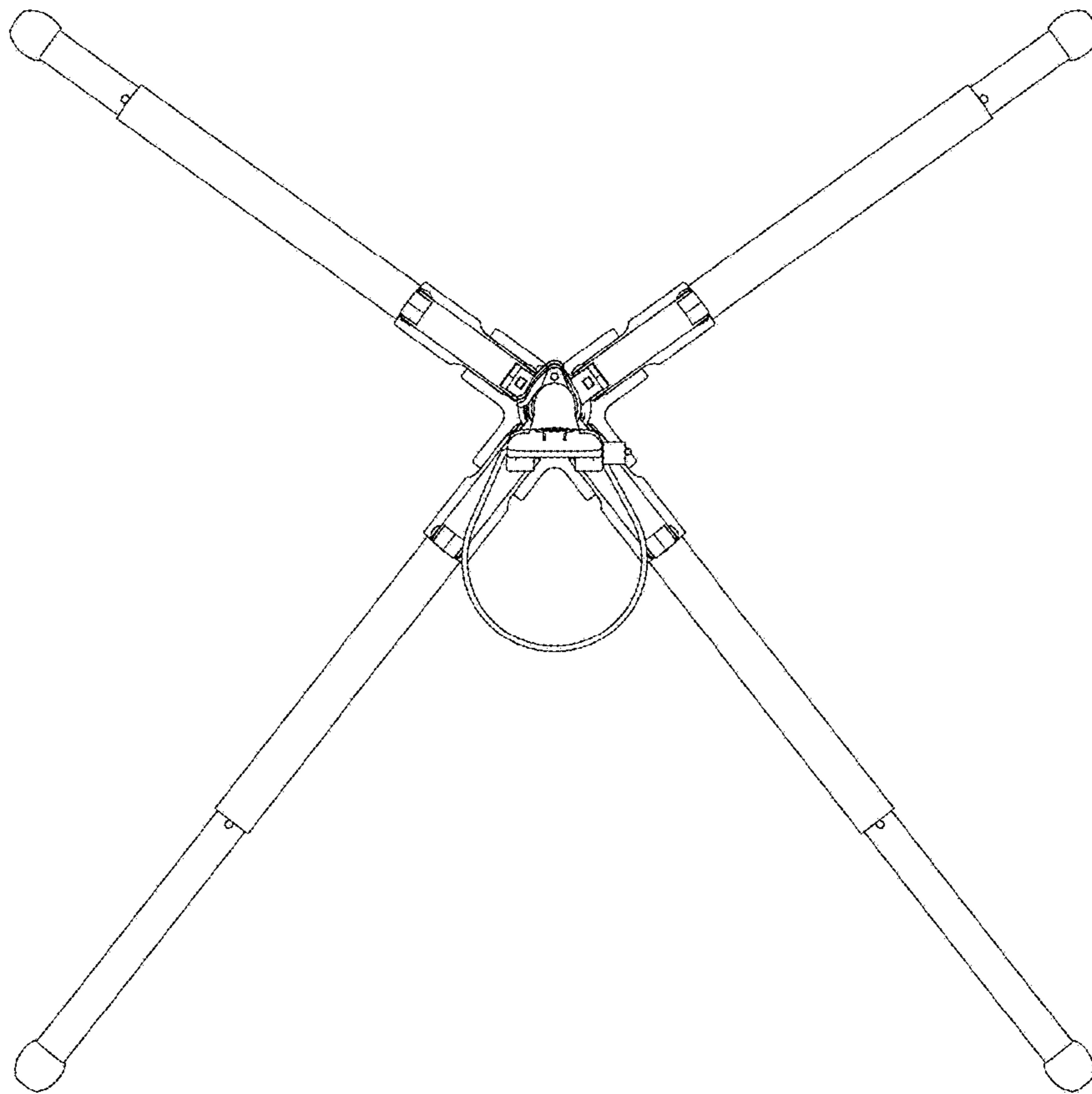


FIG.10

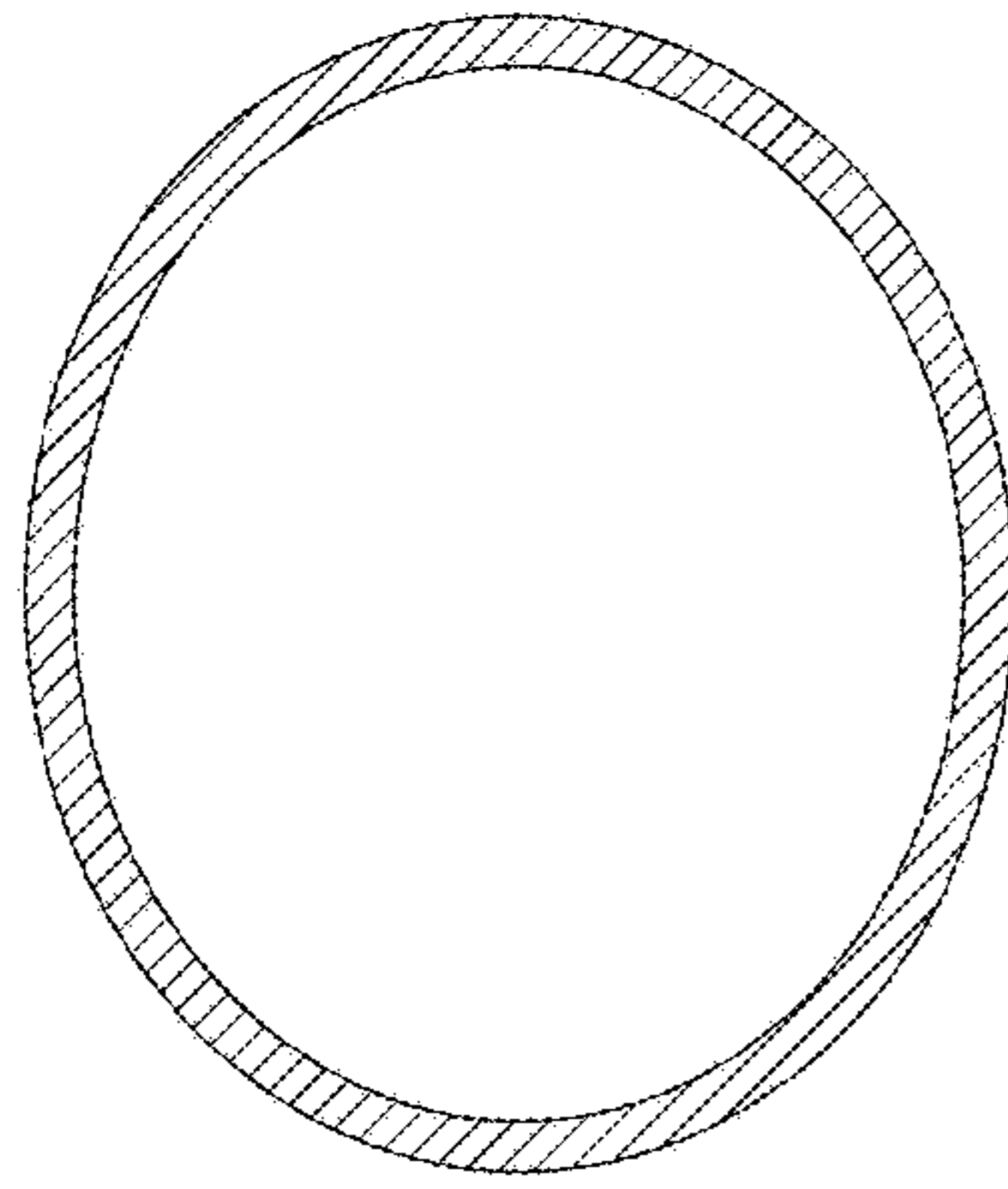


FIG. 11