



US00D839017S

(12) **United States Design Patent** (10) **Patent No.:** **US D839,017 S**
Lievore et al. (45) **Date of Patent:** **** Jan. 29, 2019**

(54) **CHAIR**

(71) Applicant: **ARPER S.P.A.**, Monastier di Treviso (IT)

(72) Inventors: **Alberto Lievore**, Treviso (IT); **Jeannette Altherr**, Treviso (IT); **Manel Molina**, Treviso (IT)

(73) Assignee: **ARPER S.p.A.**, Monastier di Treviso (IT)

(**) Term: **15 Years**

(21) Appl. No.: **35/503,842**

(22) Filed: **Aug. 29, 2017**

(80) **Hague Agreement Data**

Int. Filing Date: **Aug. 29, 2017**

Int. Reg. No.: **DM/097948**

Int. Reg. Date: **Aug. 29, 2017**

Int. Reg. Pub. Date: **Oct. 20, 2017**

(30) **Foreign Application Priority Data**

Mar. 31, 2017 (WO) DM/096824

(51) **LOC (11) Cl.** **06-01**

(52) **U.S. Cl.**
USPC **D6/373; D6/375; D6/376**

(58) **Field of Classification Search**

USPC D6/334, 360, 369-373, 376, 377

CPC A47C 3/00; A47C 3/14; A47C 4/00; A47C 4/02; A47C 5/00; A47C 5/04; A47C 7/00; A47C 7/002

See application file for complete search history.

(56) **References Cited**

U.S. PATENT DOCUMENTS

D558,479 S *	1/2008	Lievore	D6/375
D565,318 S *	4/2008	Alter Molina	D6/375
D649,794 S *	12/2011	Lievore	D6/361
D649,799 S *	12/2011	Lievore	D6/373
D649,800 S *	12/2011	Lievore	D6/373

* cited by examiner

Primary Examiner — Mary Ann Calabrese

(74) *Attorney, Agent, or Firm* — Thomas I Horstemeyer, LLP

(57) **CLAIM**

The ornamental design for a chair, as shown and described.

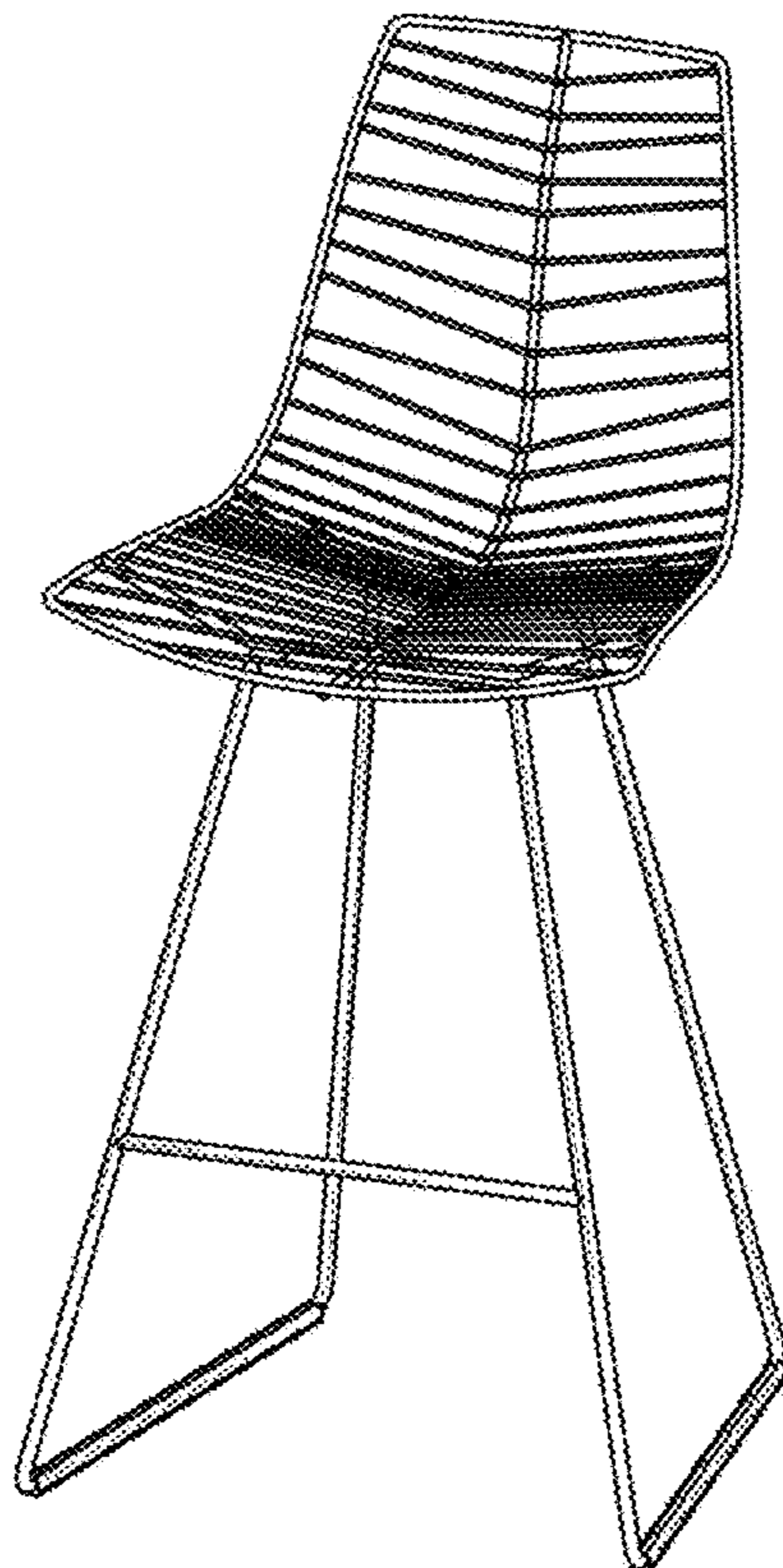
DESCRIPTION

1. Chair [seat]

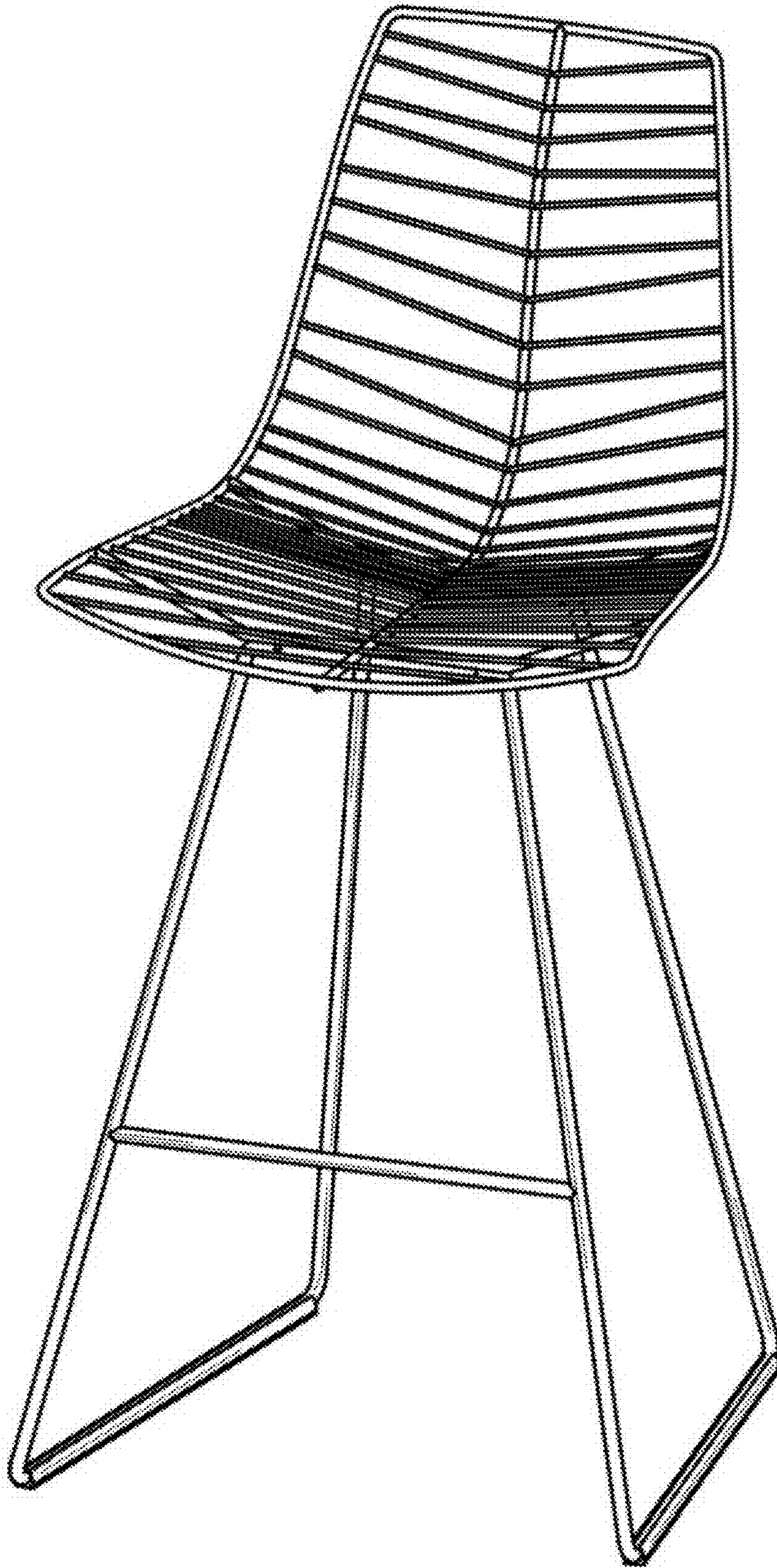
1.1 is a perspective view; 1.2 is a right side view; 1.3 is a left side view; 1.4 is a front view;

1.5 is a rear view; 1.6 is a top view; 1.7 is a bottom view.

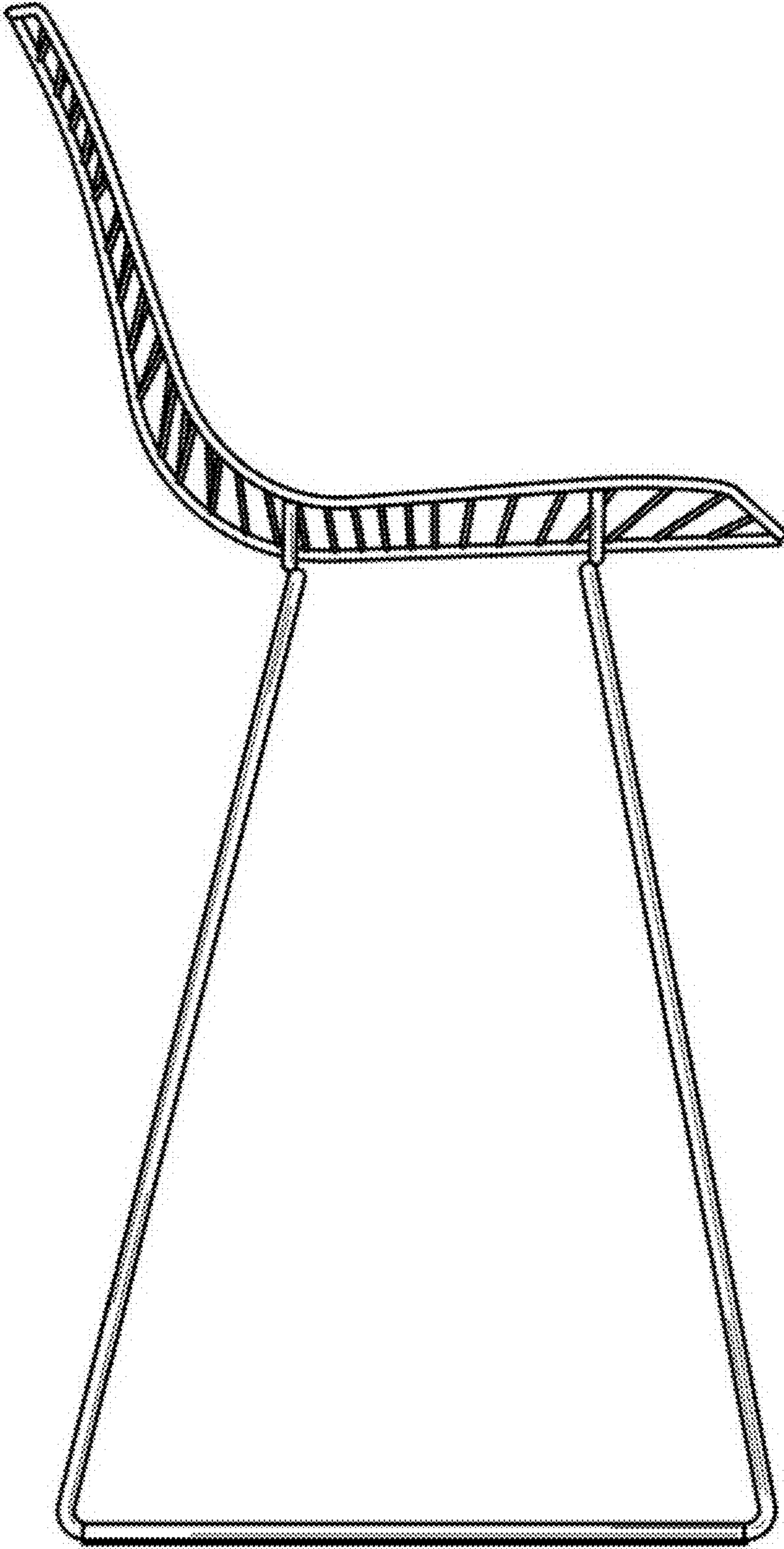
1 Claim, 7 Drawing Sheets



1.1



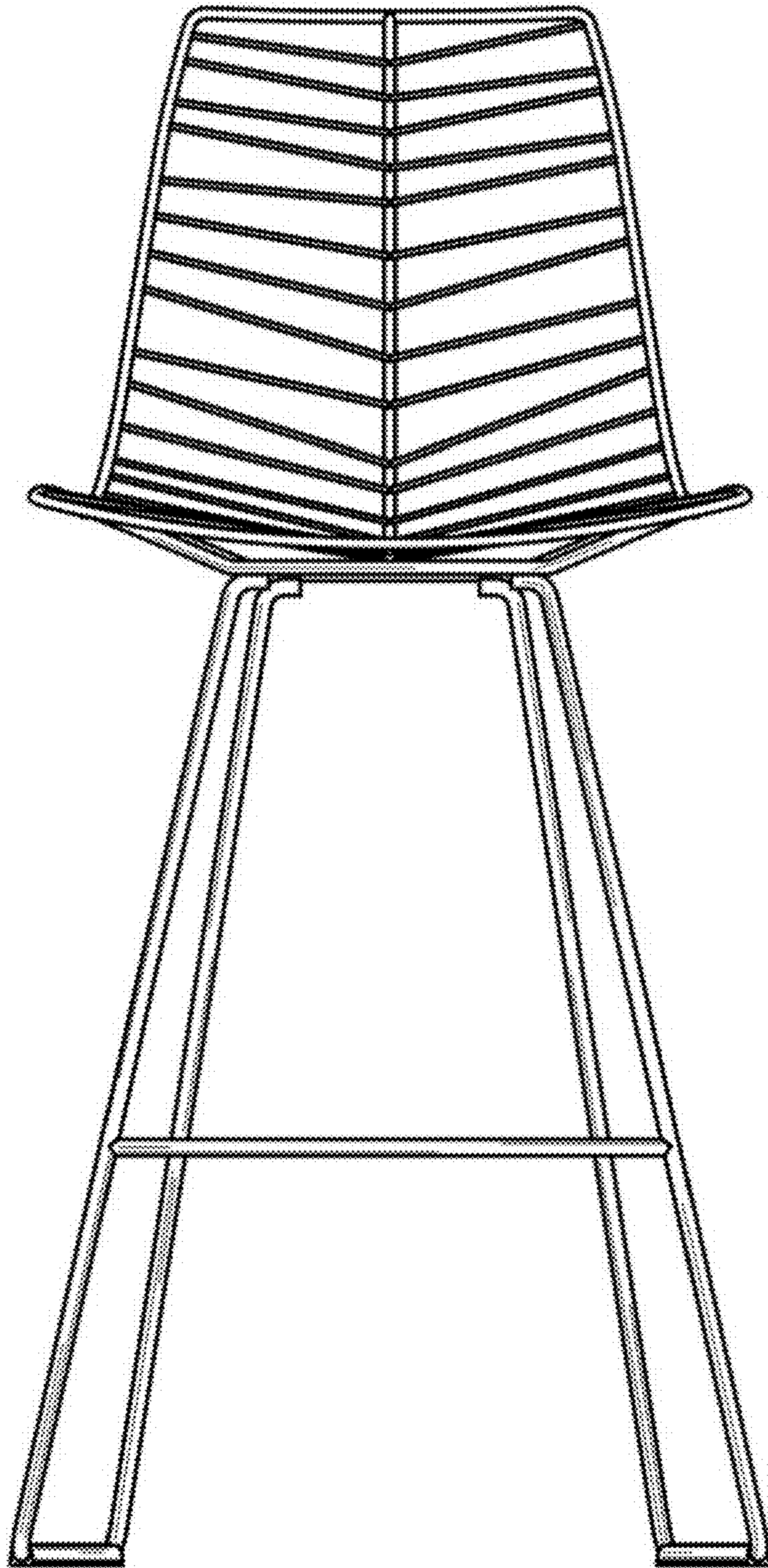
1.2



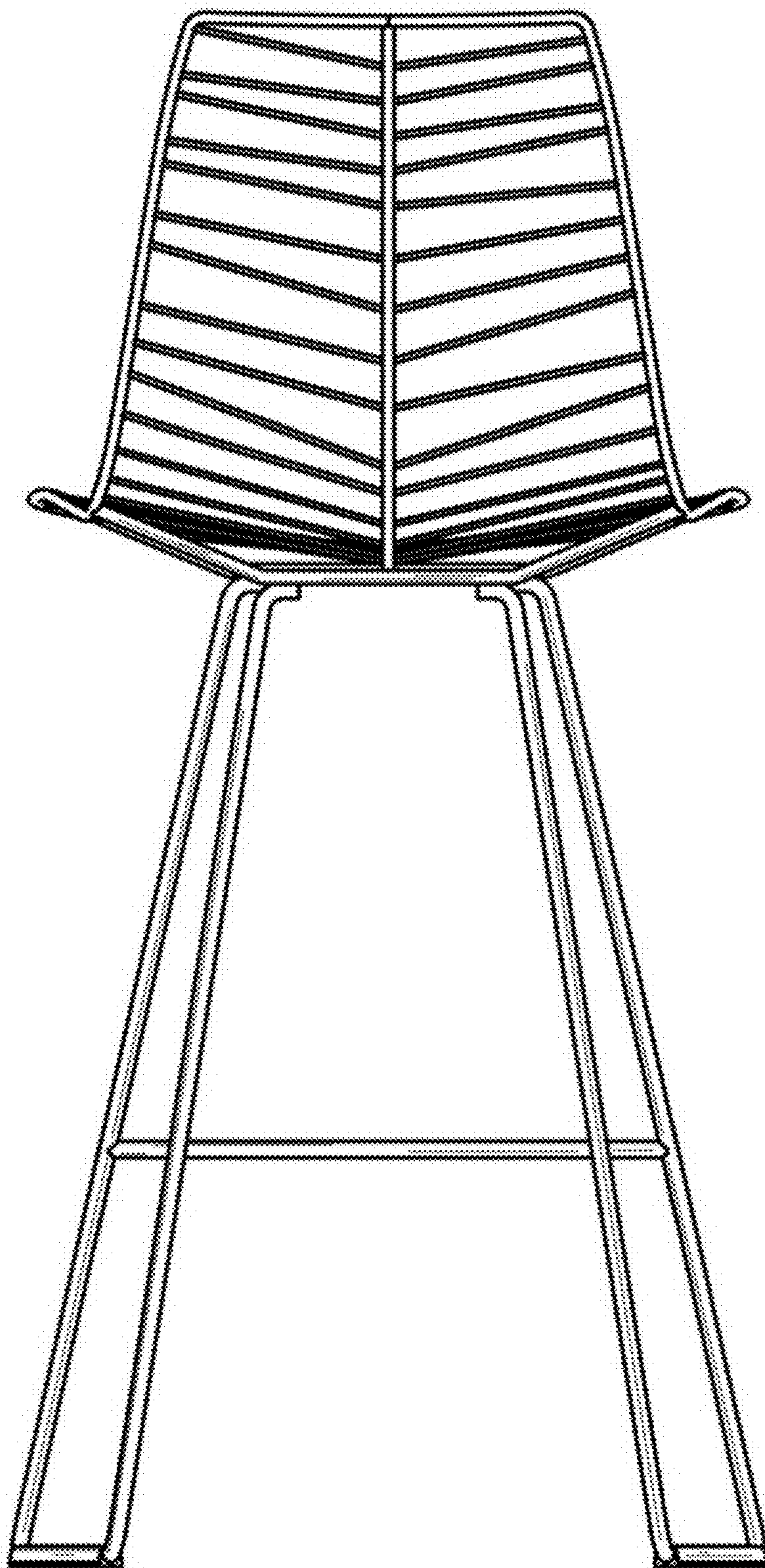
1.3



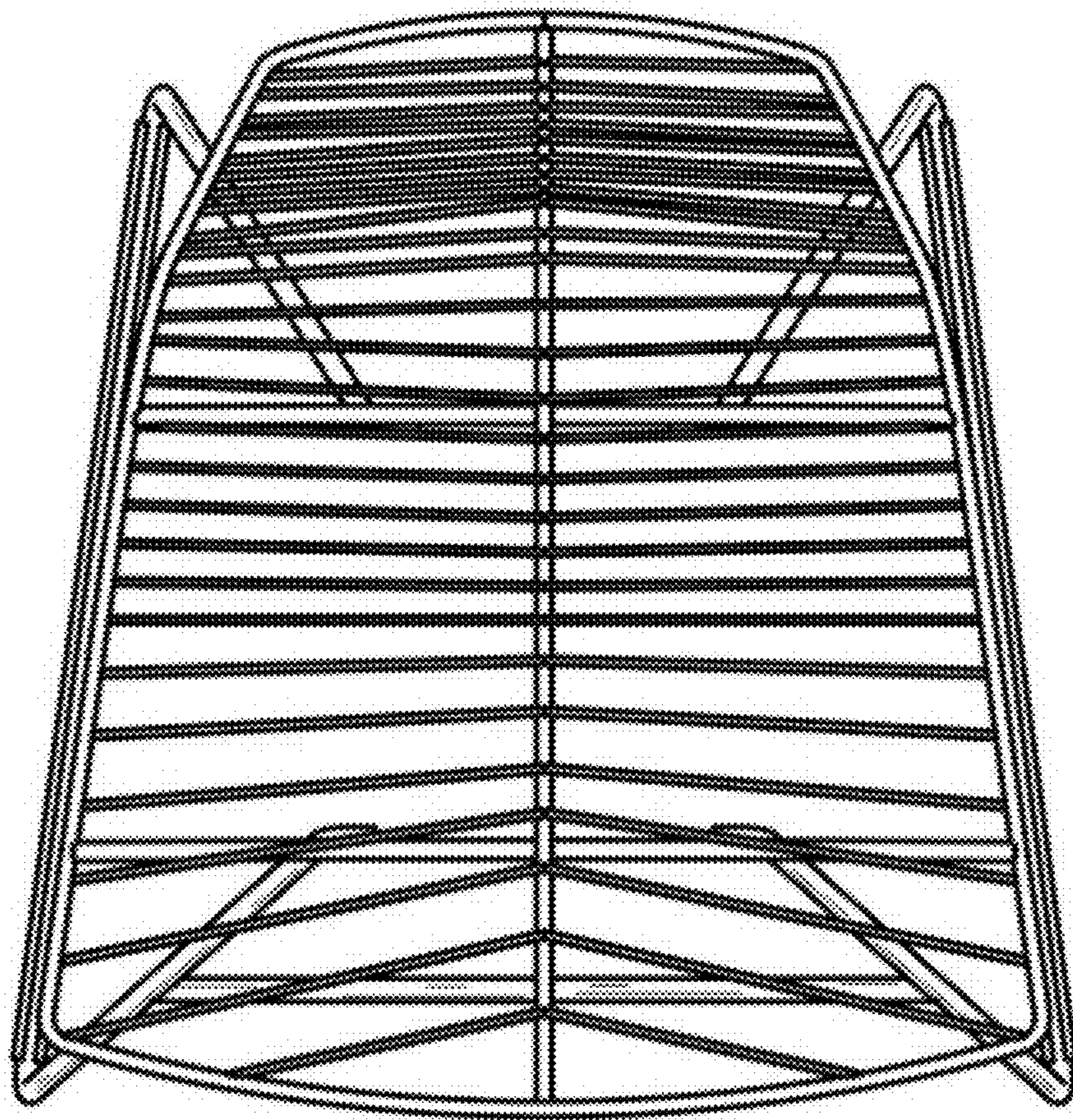
1.4



1.5



1.6



1.7

