



US00D839014S

(12) **United States Design Patent** (10) **Patent No.:** **US D839,014 S**
Ray (45) **Date of Patent:** **** Jan. 29, 2019**

(54) **BENCH SEAT FOR A VEHICLE**

(57) **CLAIM**

(71) Applicant: **Jaguar Land Rover Limited**, Whitley, Coventry (GB)

The ornamental design for a bench seat for a vehicle, as shown and described.

(72) Inventor: **Paul Ray**, Coventry (GB)

DESCRIPTION

(73) Assignee: **Jaguar Land Rover Limited**, Whitley, Coventry (GB)

(**) Term: **15 Years**

(21) Appl. No.: **29/622,598**

(22) Filed: **Oct. 18, 2017**

(30) **Foreign Application Priority Data**

Apr. 21, 2017 (EM) 003866938

(51) **LOC (11) Cl.** **06-01**

(52) **U.S. Cl.**
USPC **D6/356**

(58) **Field of Classification Search**

USPC D6/334, 356, 360, 369, 370, 374, 376,
D6/716, 716.1, 716.2, 716.3, 716.4,
D6/716.5, 716.7; D21/521, 533, 548
CPC A61H 2201/0149; B60N 2/06; B60N 2/20;
B60N 2/22; B60N 2/58; B60N 2/68;
B60N 2/80; B60N 2/643; B60N 2/888;
B60N

(Continued)

(56) **References Cited**

U.S. PATENT DOCUMENTS

D576,811 S * 9/2008 Wyszogrod D6/356
D578,315 S * 10/2008 Wyszogrod D6/356

(Continued)

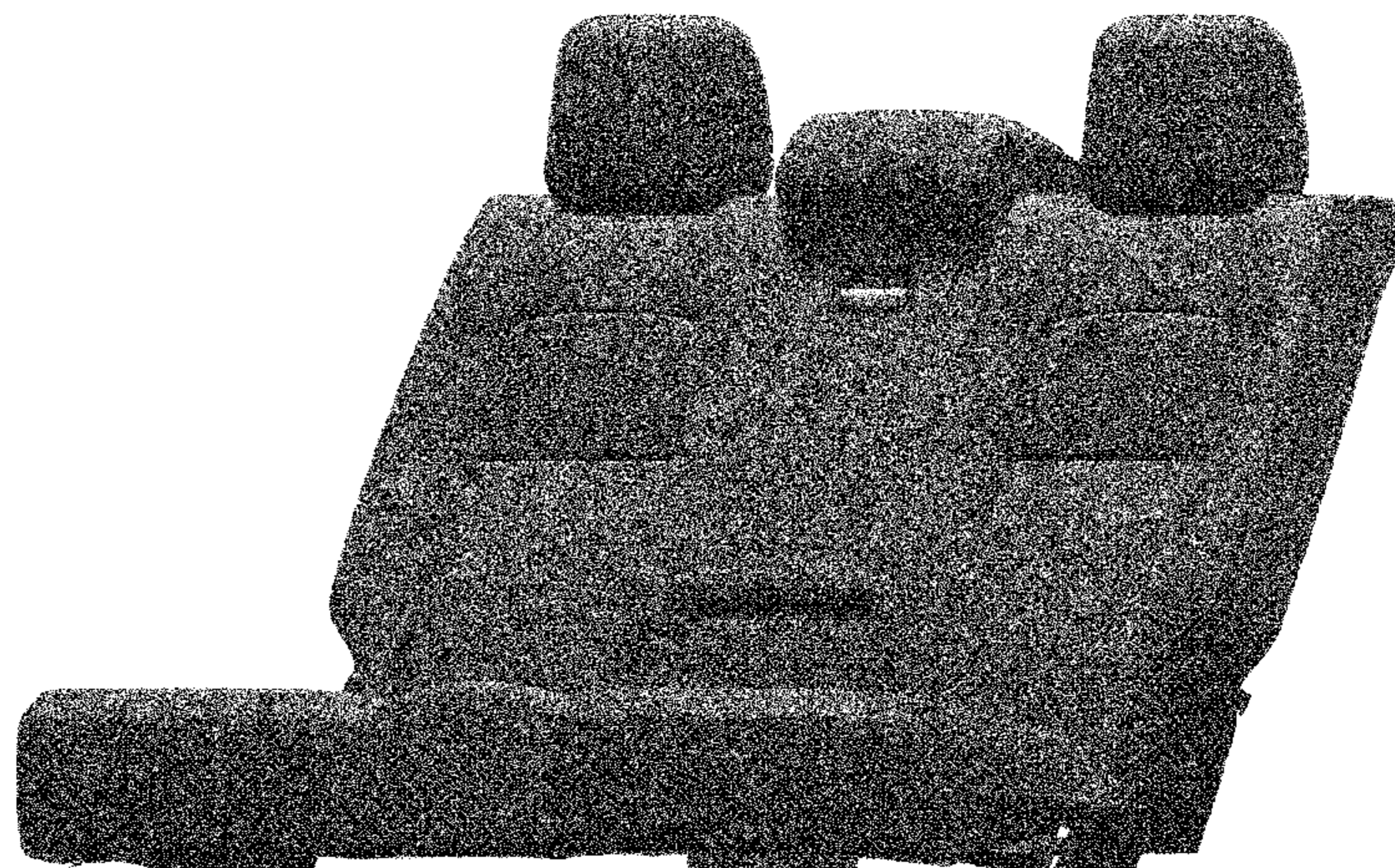
Primary Examiner — Kevin K Rudzinski

Assistant Examiner — Paul D Bohannon

(74) *Attorney, Agent, or Firm* — Wood Herron & Evans
LLP

FIG. 1 is a front right perspective view of a bench seat for a vehicle according to the present invention.
FIG. 2 is a front left perspective view of the bench seat for a vehicle shown in FIG. 1.
FIG. 3 is a rear left perspective view thereof.
FIG. 4 is a rear right perspective view thereof.
FIG. 5 is a front view thereof.
FIG. 6 is a rear view thereof.
FIG. 7 is a left side view thereof.
FIG. 8 is a right side view thereof.
FIG. 9 is a top view thereof.
FIG. 10 is a front right perspective view of a bench seat for a vehicle according to a second embodiment of the present invention.
FIG. 11 is a front left perspective view of the bench seat for a vehicle shown in FIG. 10.
FIG. 12 is a rear left perspective view thereof.
FIG. 13 is a rear right perspective view thereof.
FIG. 14 is a front view thereof.
FIG. 15 is a rear view thereof.
FIG. 16 is a left side view thereof.
FIG. 17 is a right side view thereof.
FIG. 18 is a top view thereof.
FIG. 19 is a front right perspective view of a bench seat for a vehicle according to a third embodiment of the present invention.
FIG. 20 is a front left perspective view of the bench seat for a vehicle shown in FIG. 19.
FIG. 21 is a rear left perspective view thereof.
FIG. 22 is a rear right perspective view thereof.
FIG. 23 is a front view thereof.
FIG. 24 is a rear view thereof.
FIG. 25 is a left side view thereof.
FIG. 26 is a right side view thereof; and,
FIG. 27 is a top view thereof.

1 Claim, 27 Drawing Sheets



(58) **Field of Classification Search**

CPC 2/859; B60N 2/1615; B60N 2/7035; B60N
2/42745; B60N 2002/0272; B60N
2205/35

See application file for complete search history.

(56) **References Cited**

U.S. PATENT DOCUMENTS

D590,611	S	*	4/2009	Higashida	D6/356
D590,612	S	*	4/2009	Zhang	D6/356
D614,879	S	*	5/2010	Higashida	D6/356
D650,188	S	*	12/2011	Nakaminami	D6/356
D650,189	S	*	12/2011	Nakaminami	D6/356
D723,825	S	*	3/2015	Persson	D6/356
D774,319	S	*	12/2016	Ingenlath	D6/356
9,616,779	B2	*	4/2017	Barzen	B60N 2/2222
9,758,075	B2	*	9/2017	Andersson	B60N 2/468
D799,224	S	*	10/2017	Callum	D6/356
9,789,826	B2	*	10/2017	Itou	B60R 7/084
D804,207	S	*	12/2017	Blomme	D6/356
9,914,382	B2	*	3/2018	De Nichilo	B60N 2/72
9,981,583	B2	*	5/2018	Iwakata	B60N 2/58

* cited by examiner

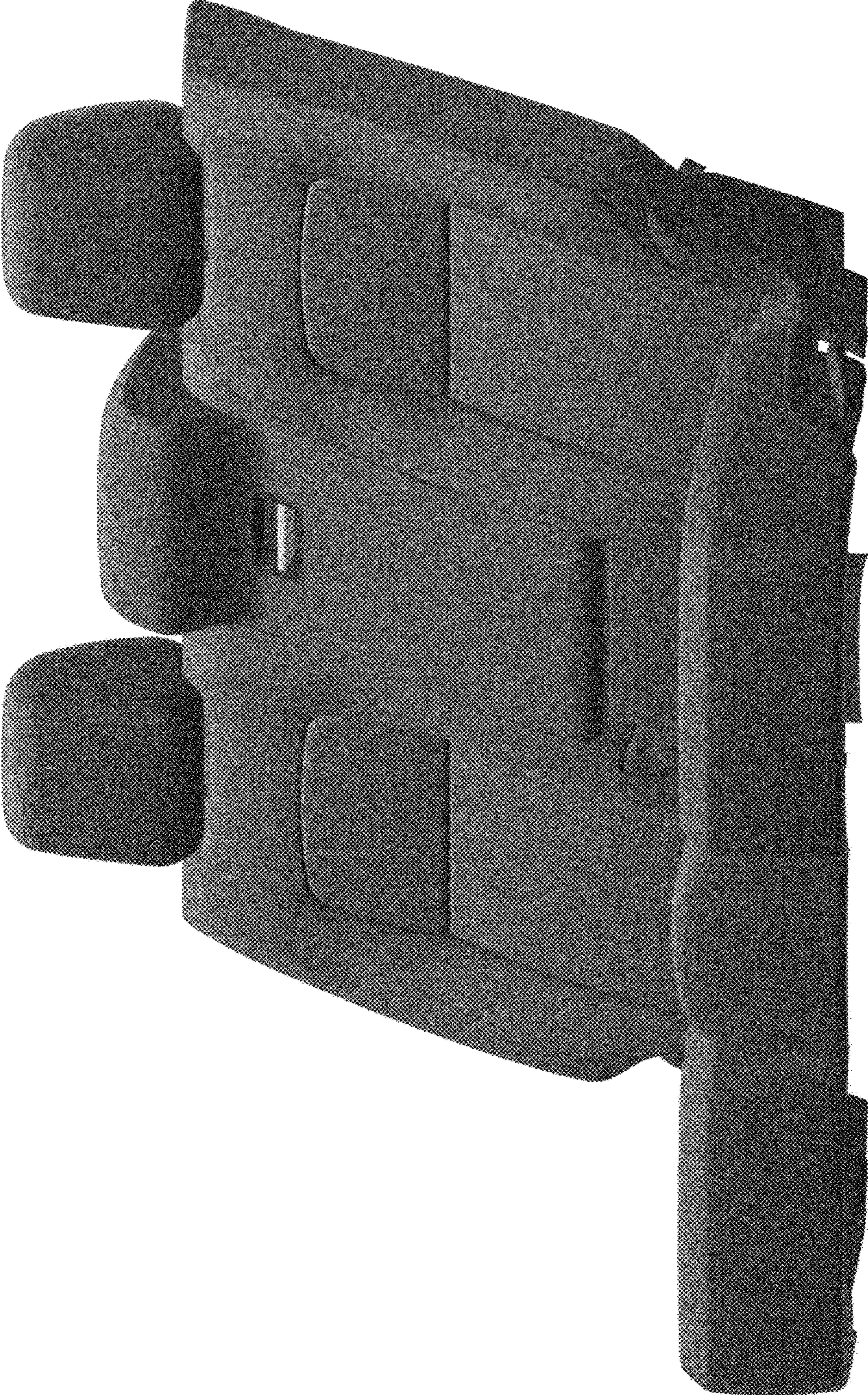


FIG. 1

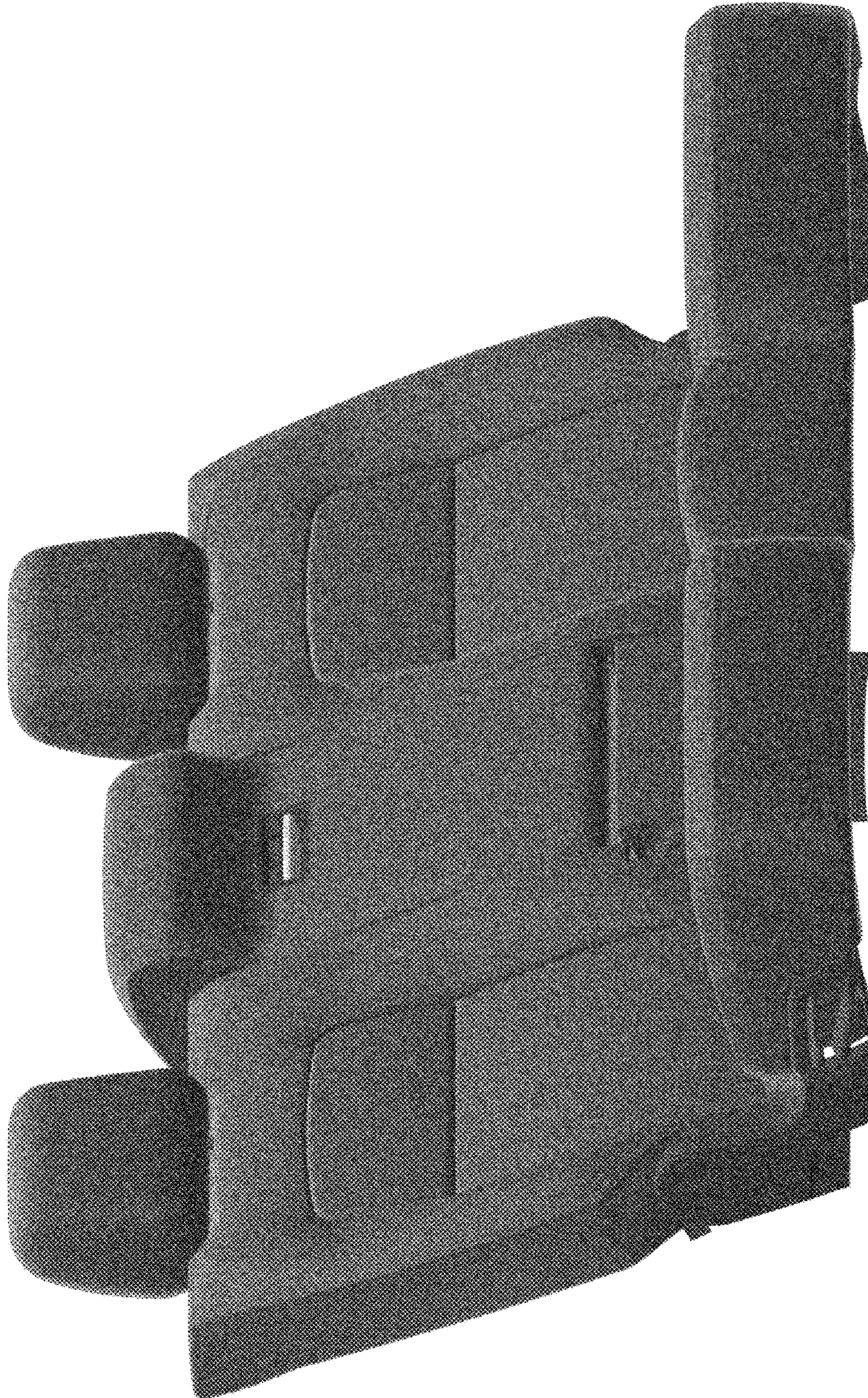


FIG. 2

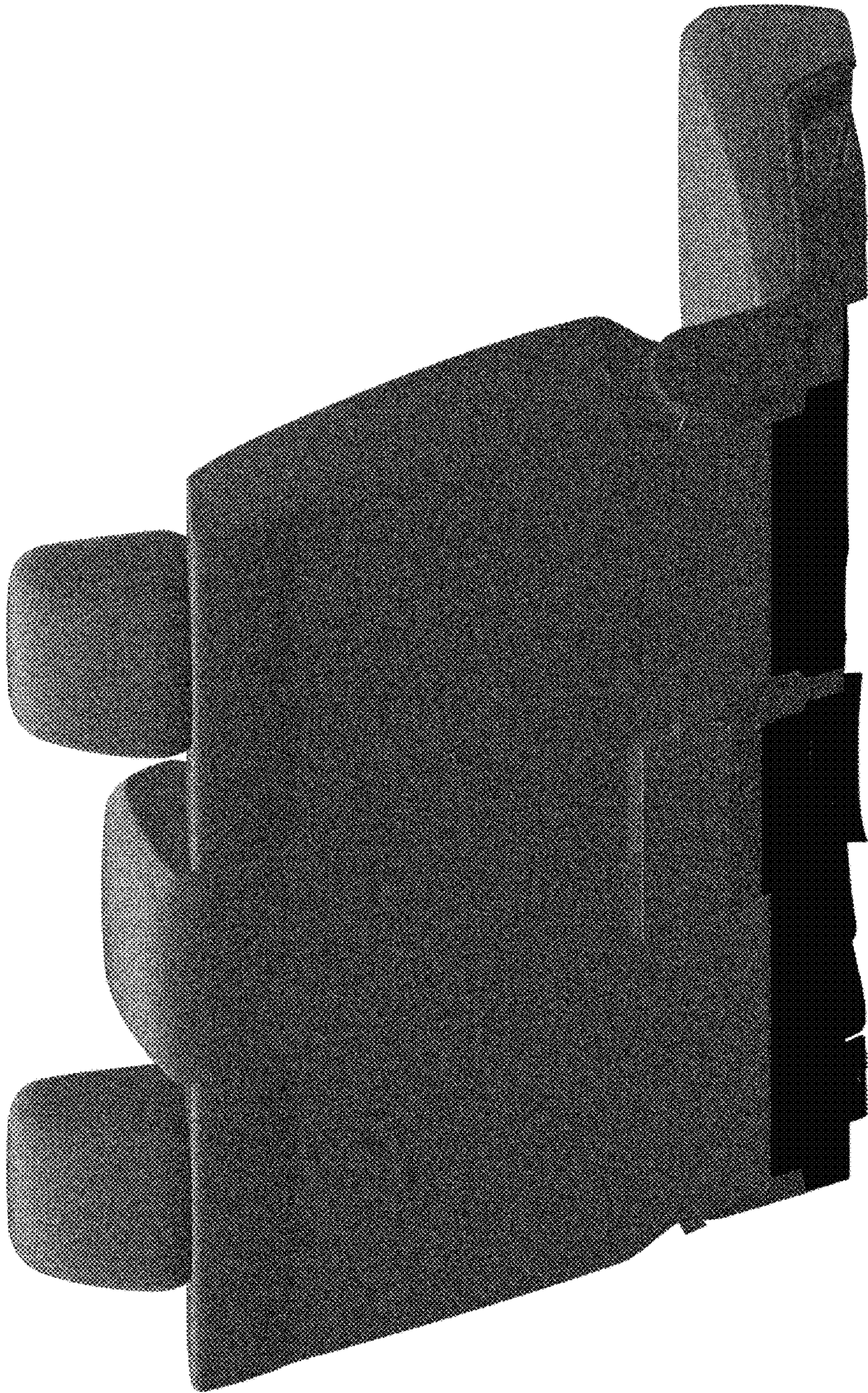


FIG. 3

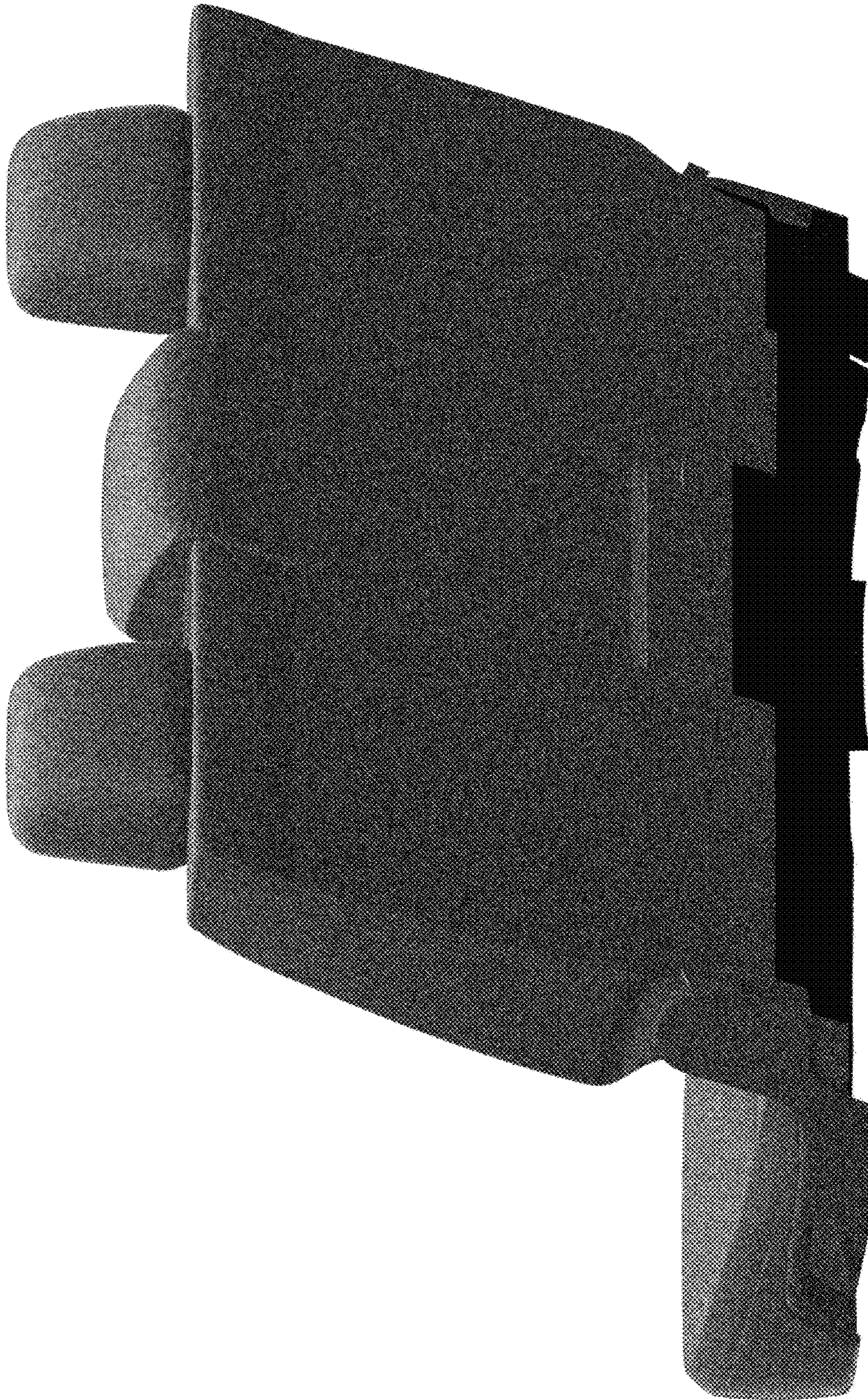


FIG. 4

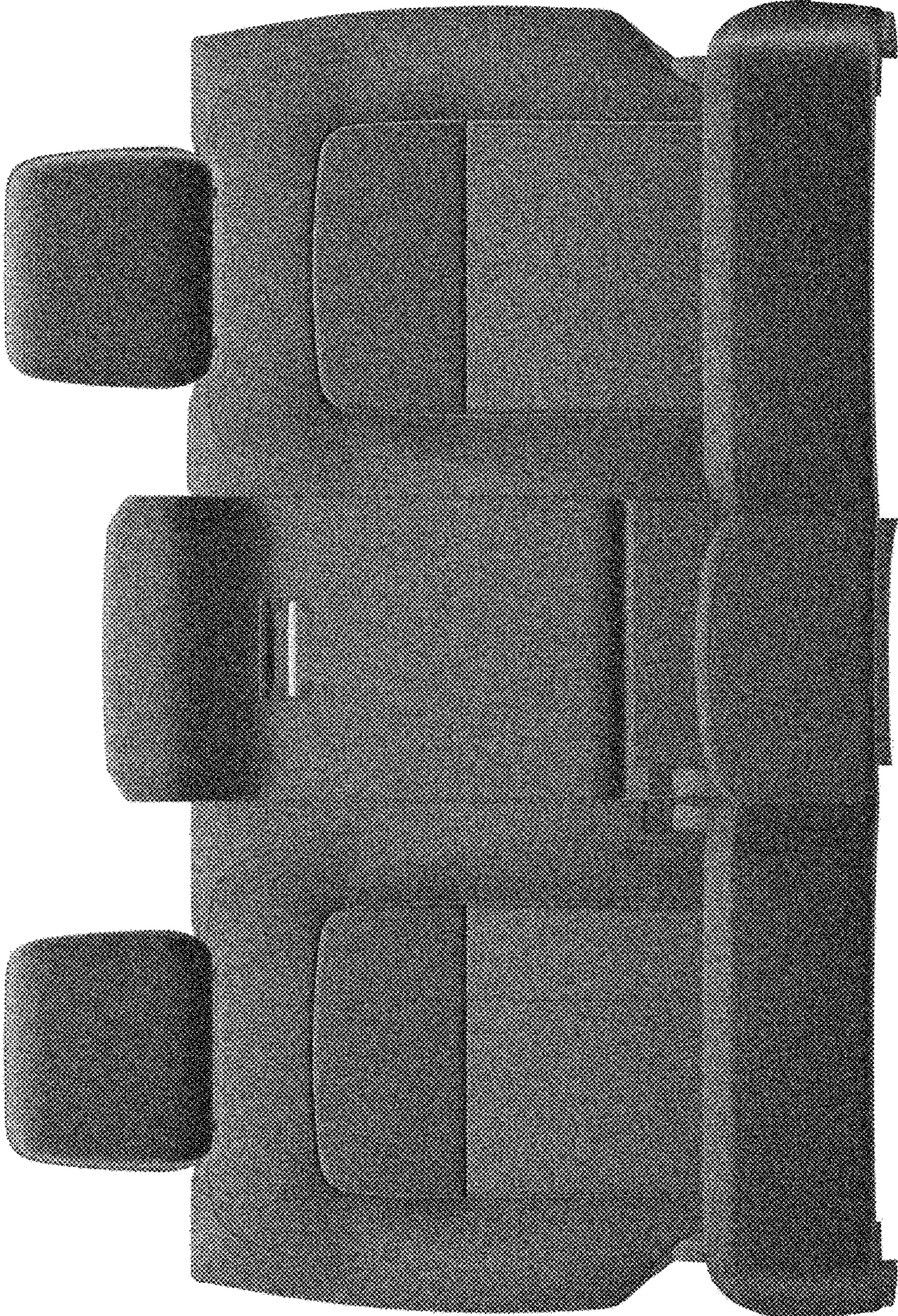


FIG. 5

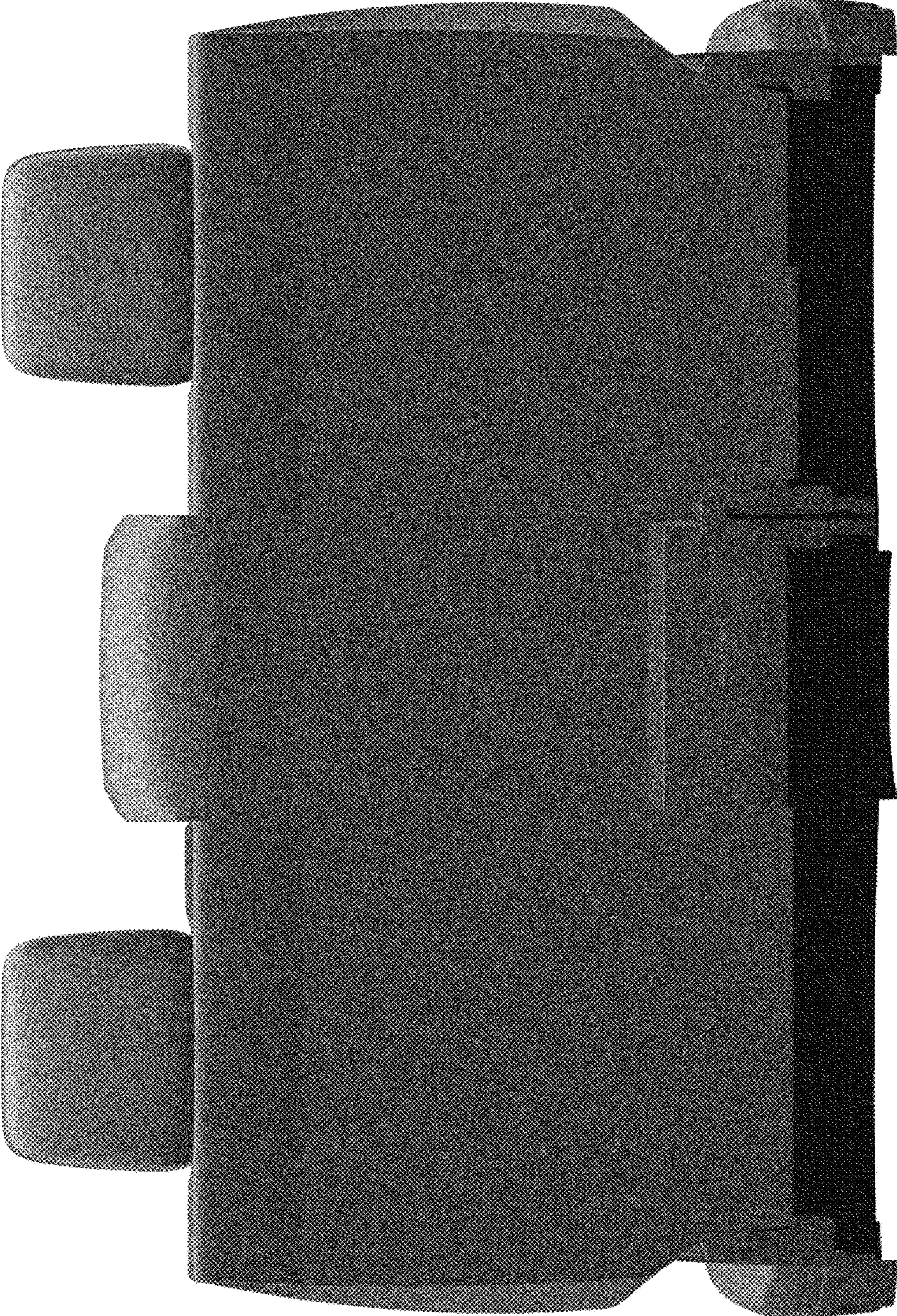


FIG. 6

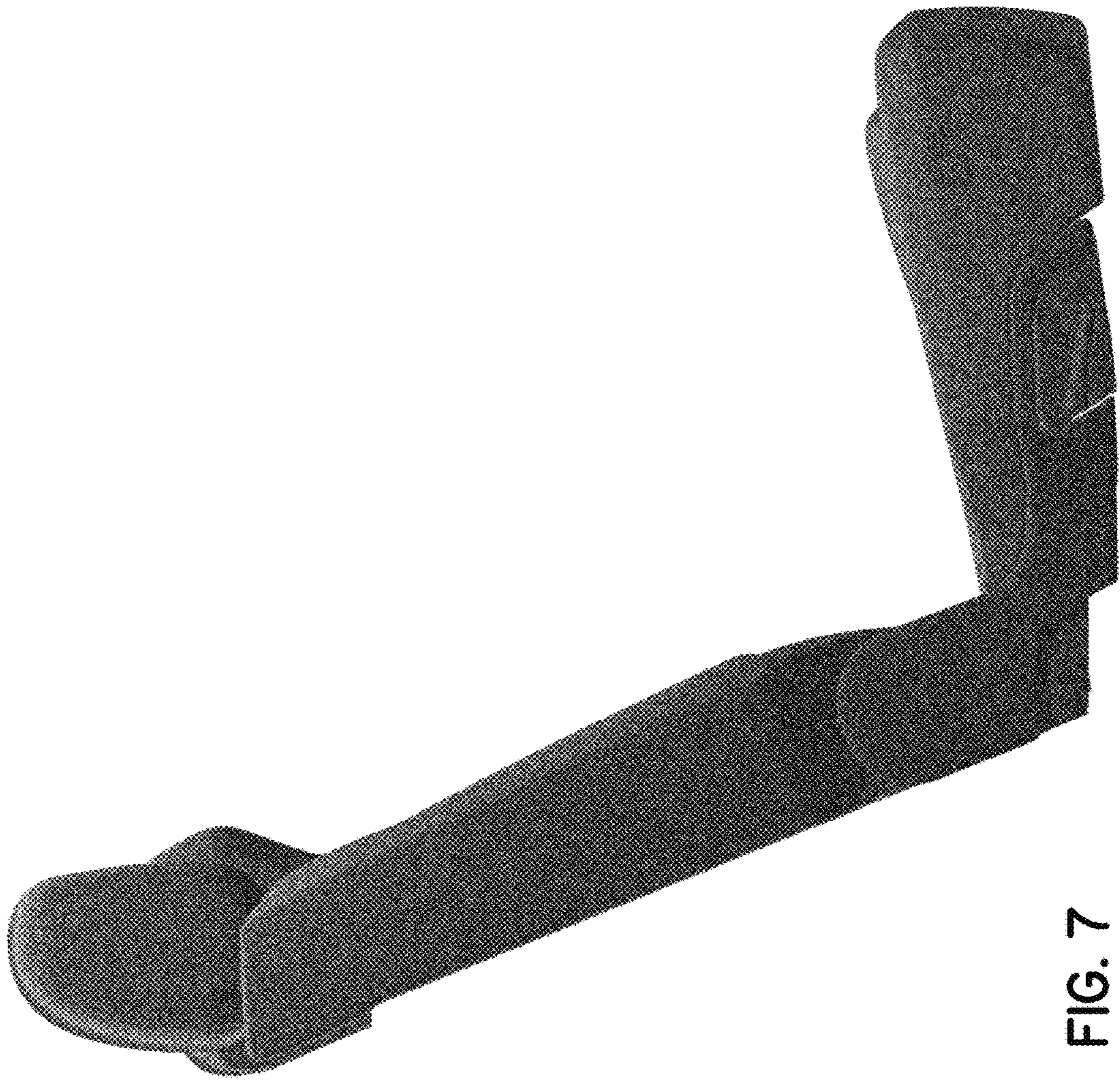


FIG. 7



FIG. 8

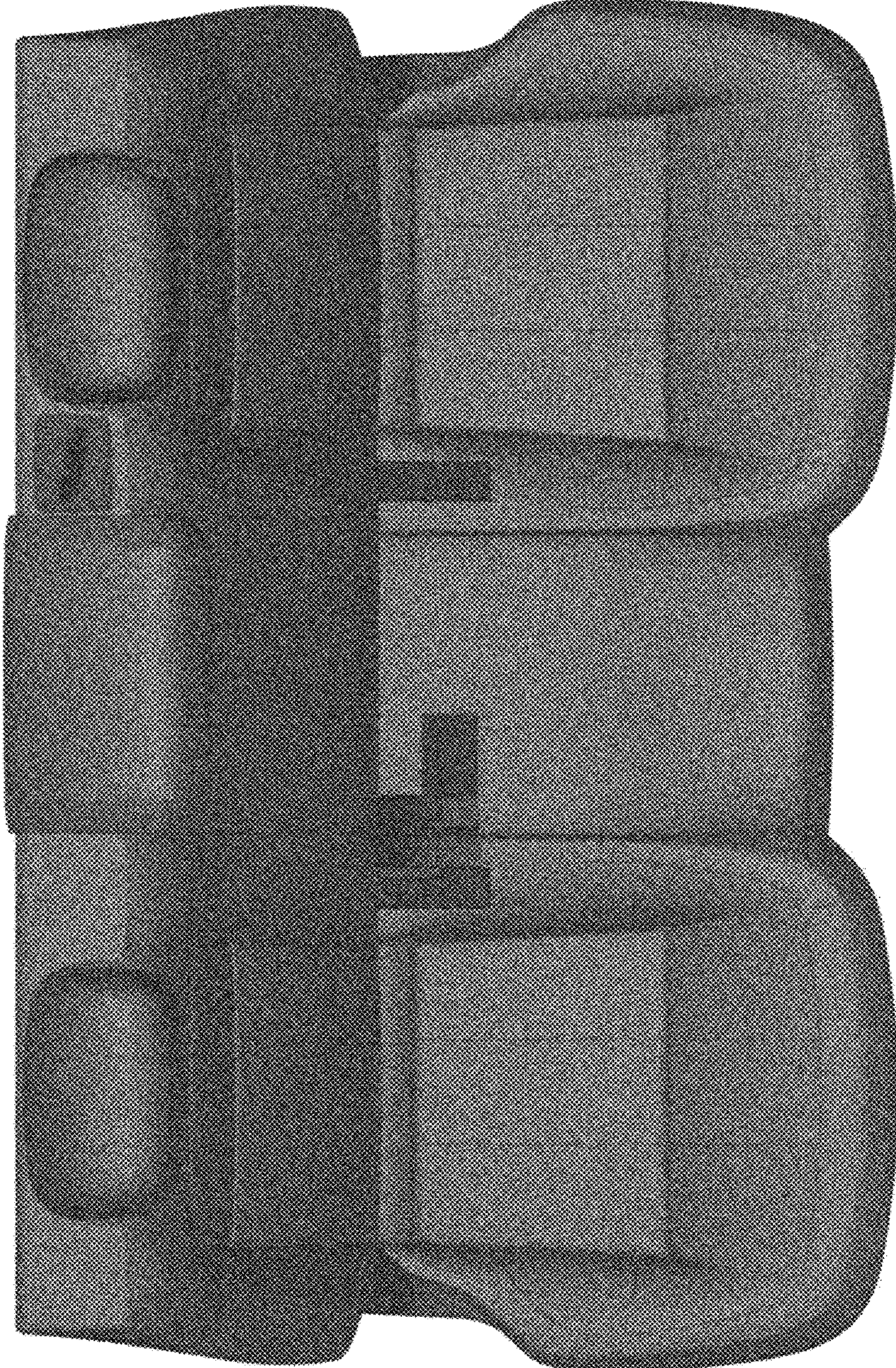


FIG. 9

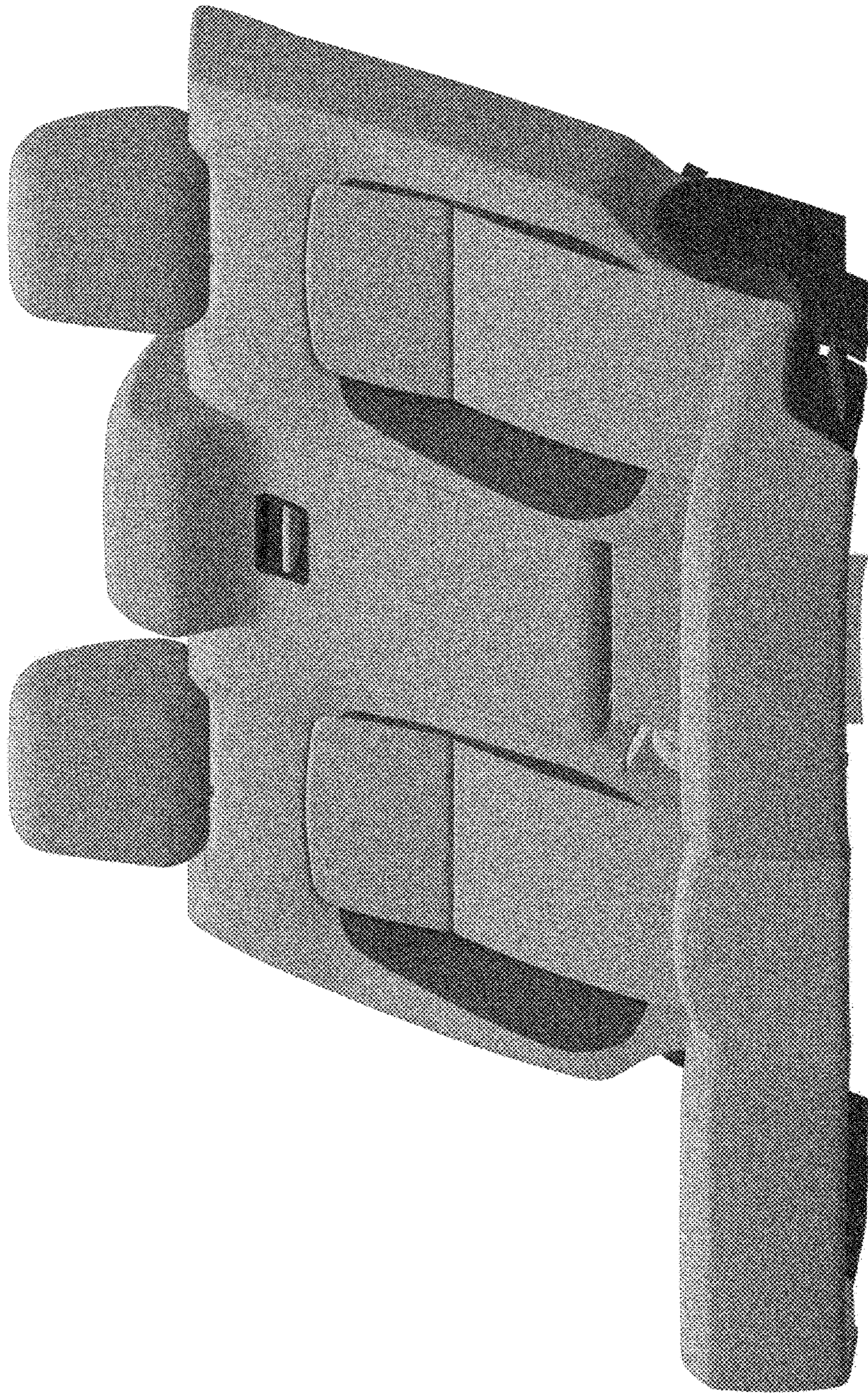


FIG. 10

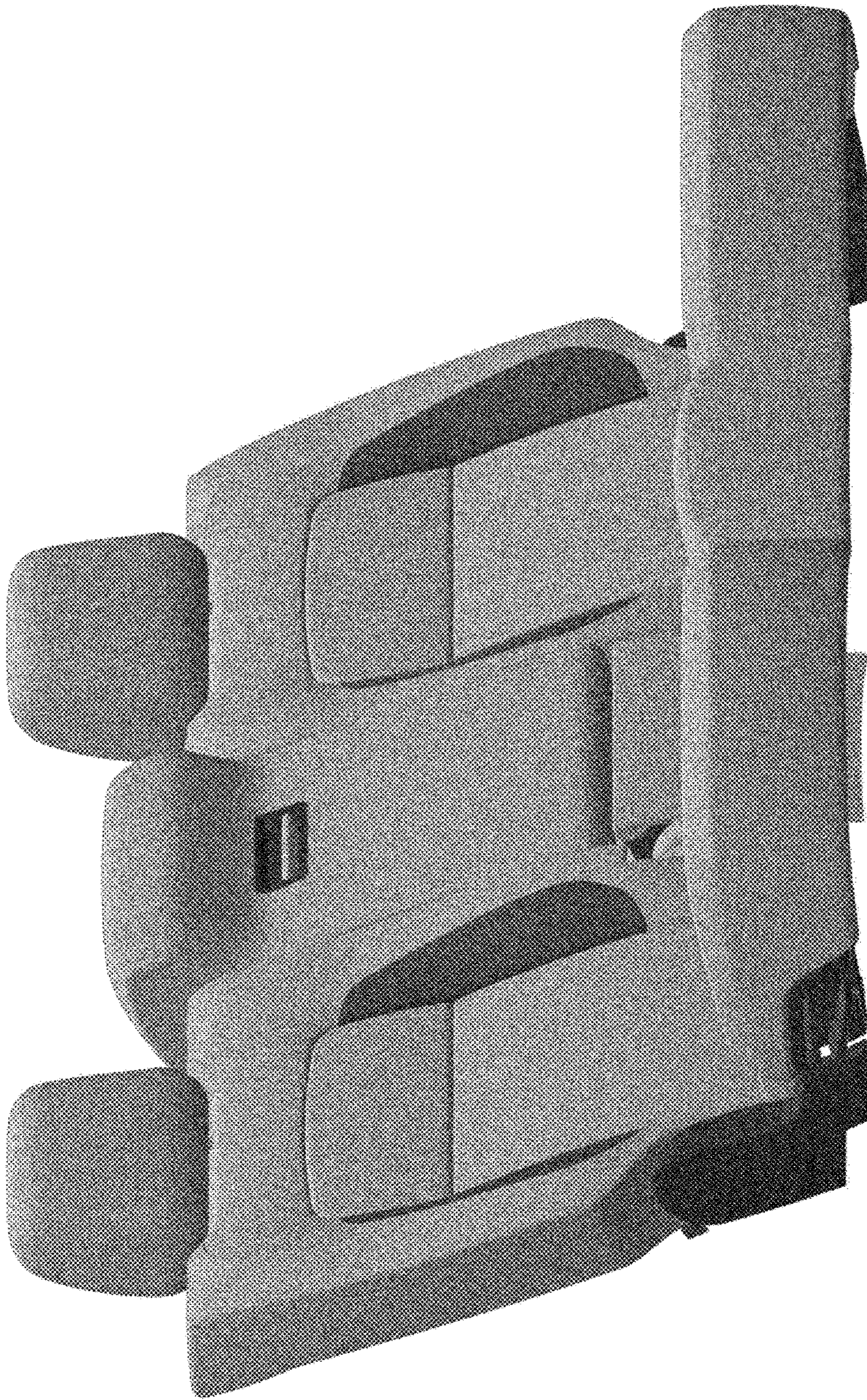


FIG. 11

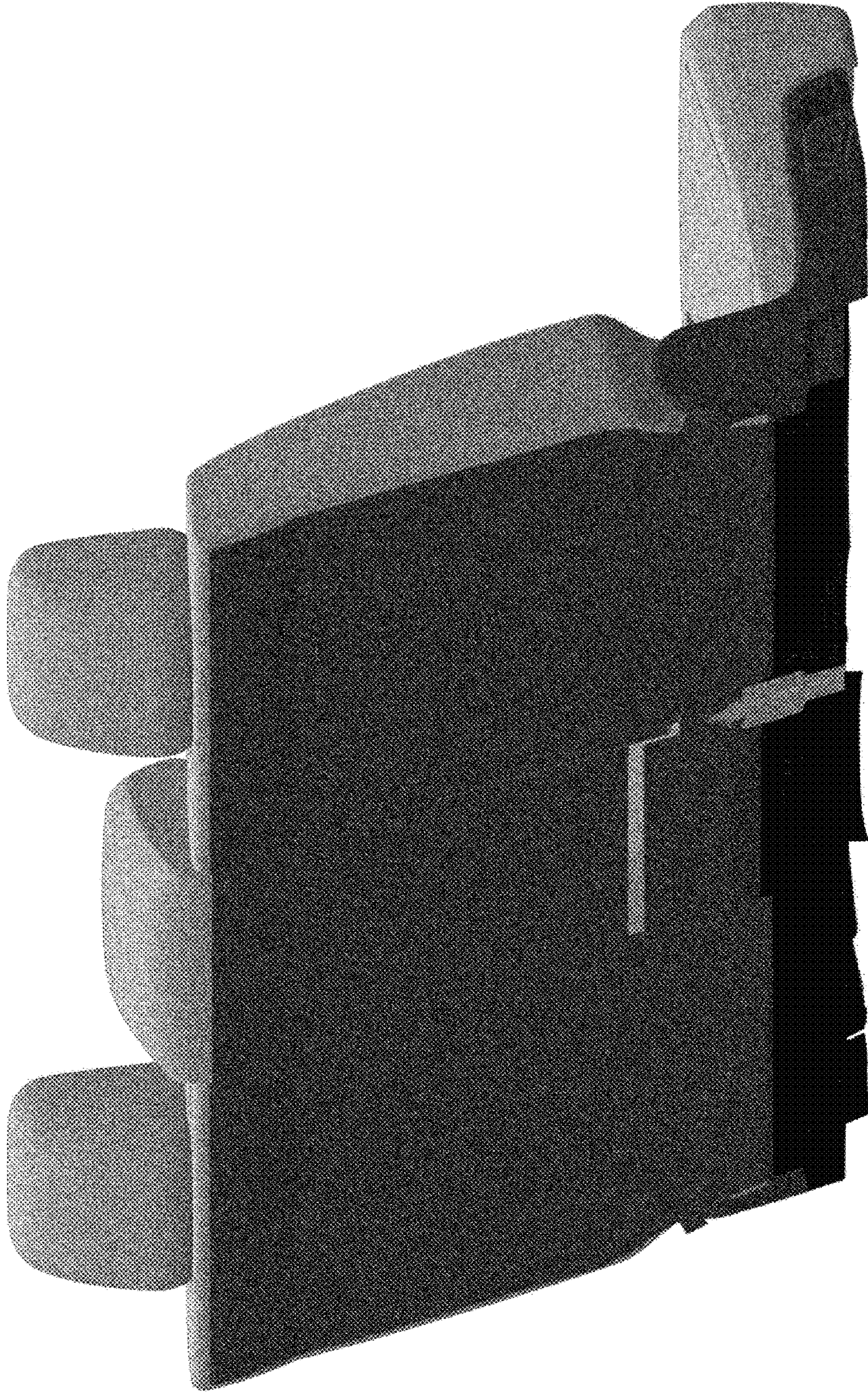


FIG. 12

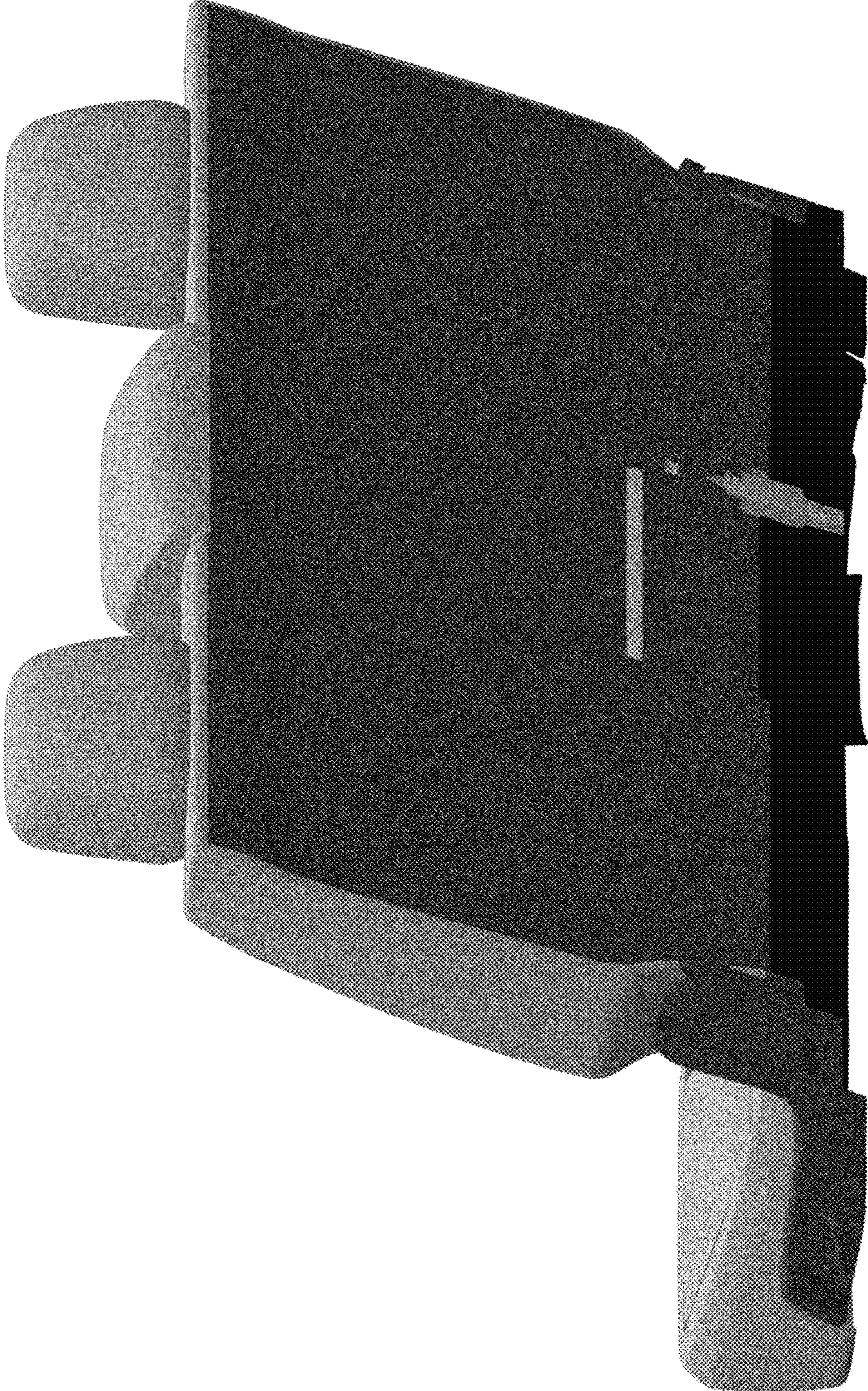


FIG. 13

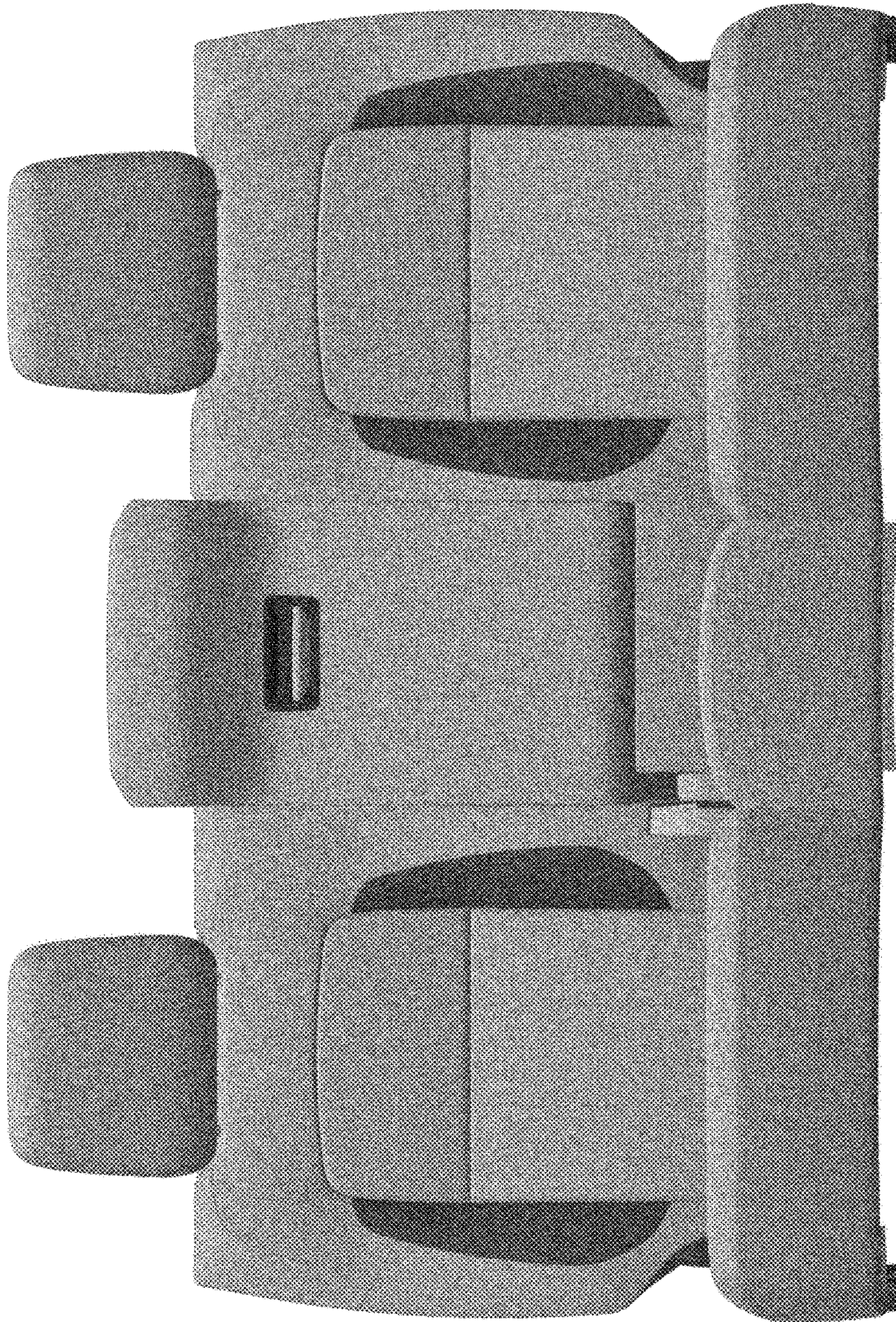


FIG. 14

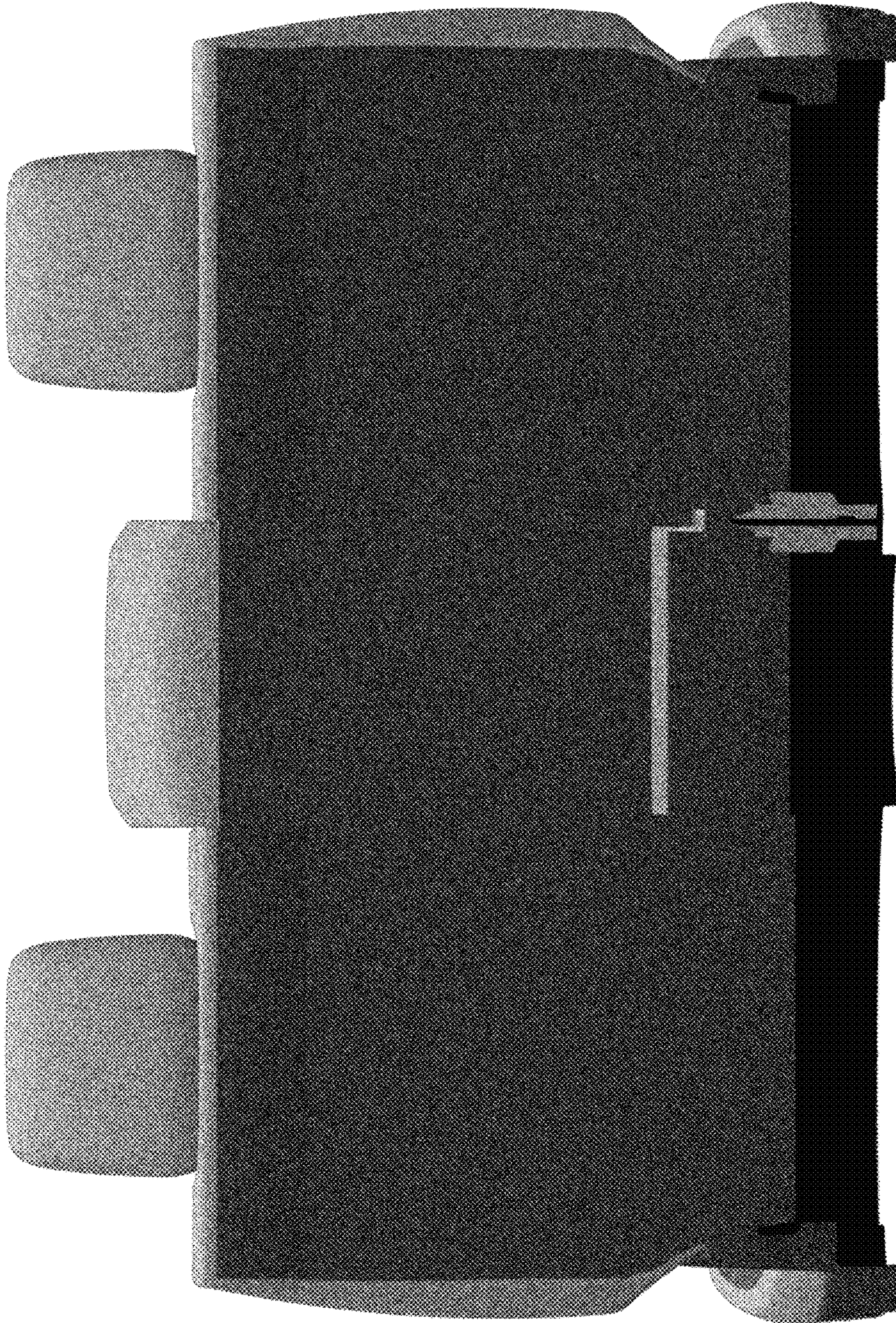


FIG. 15

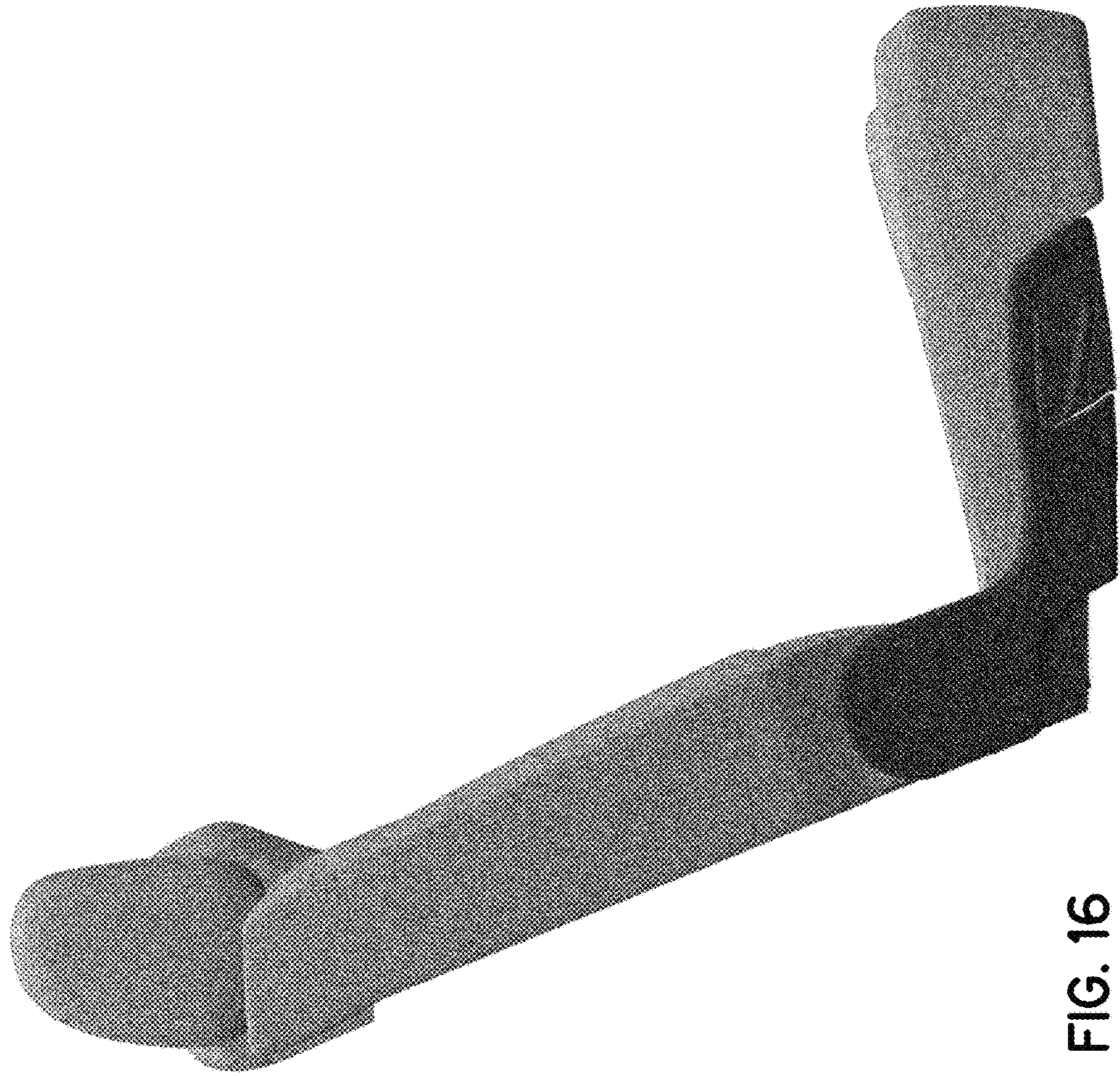


FIG. 16

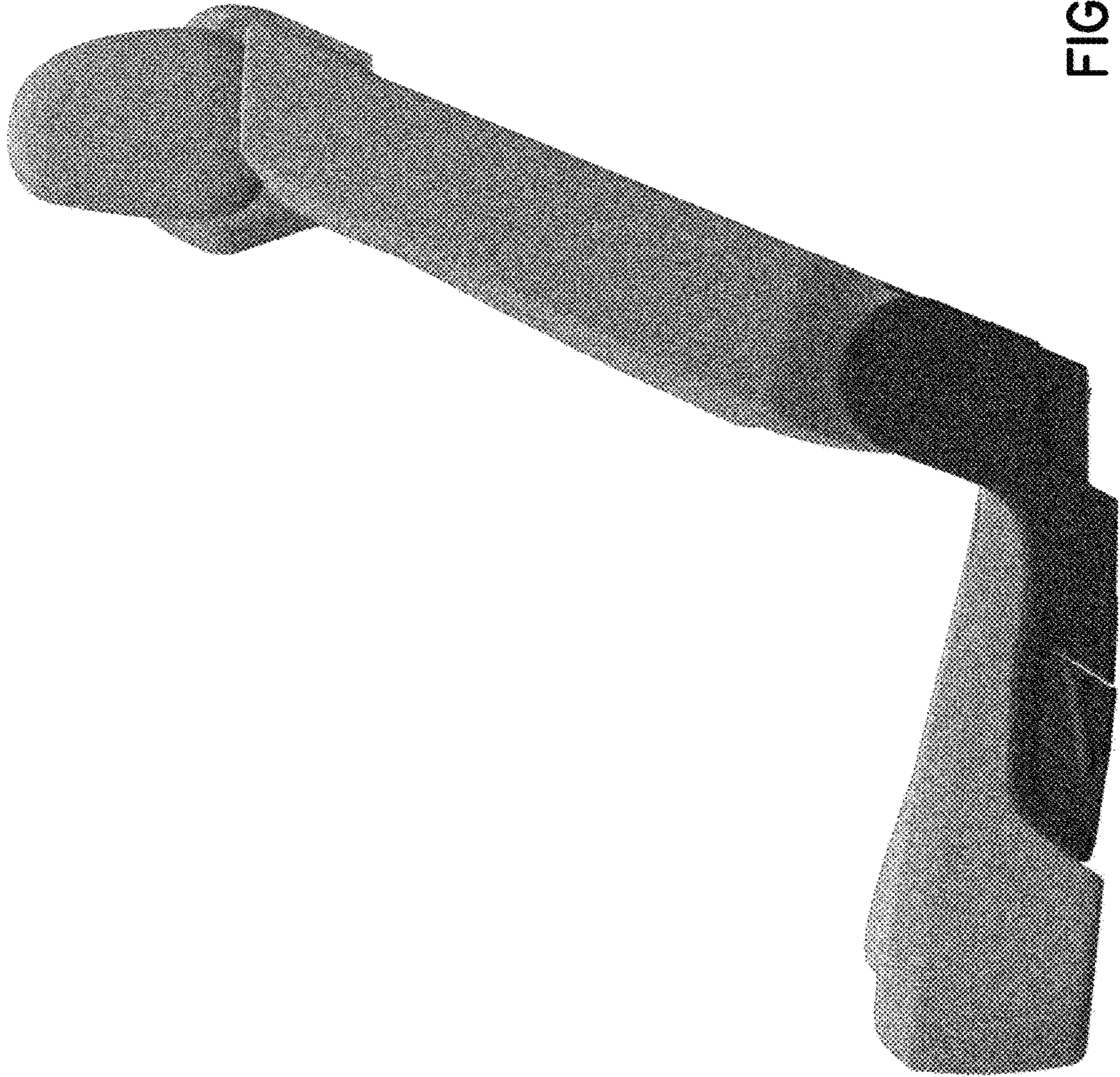


FIG. 17

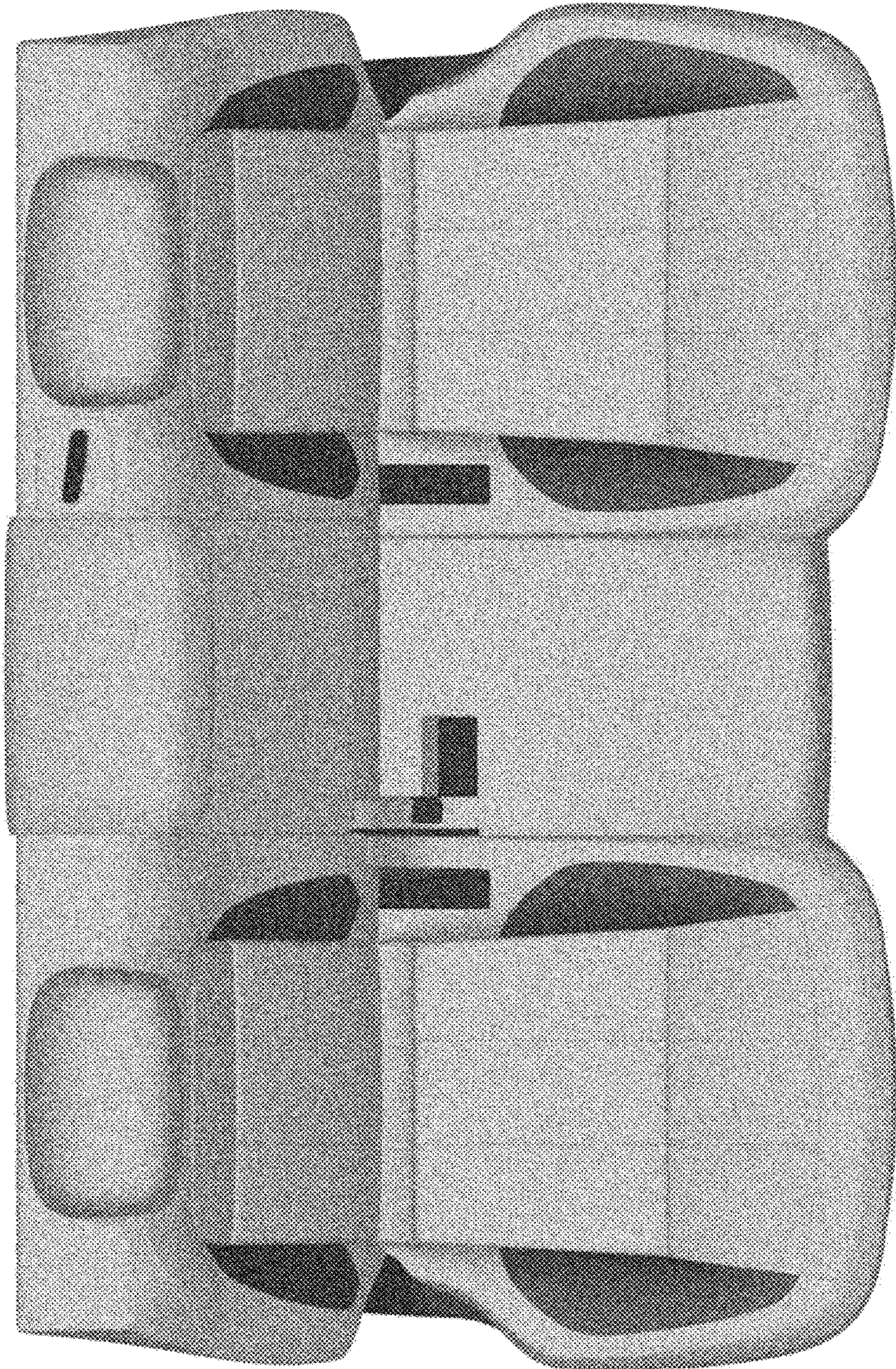


FIG. 18

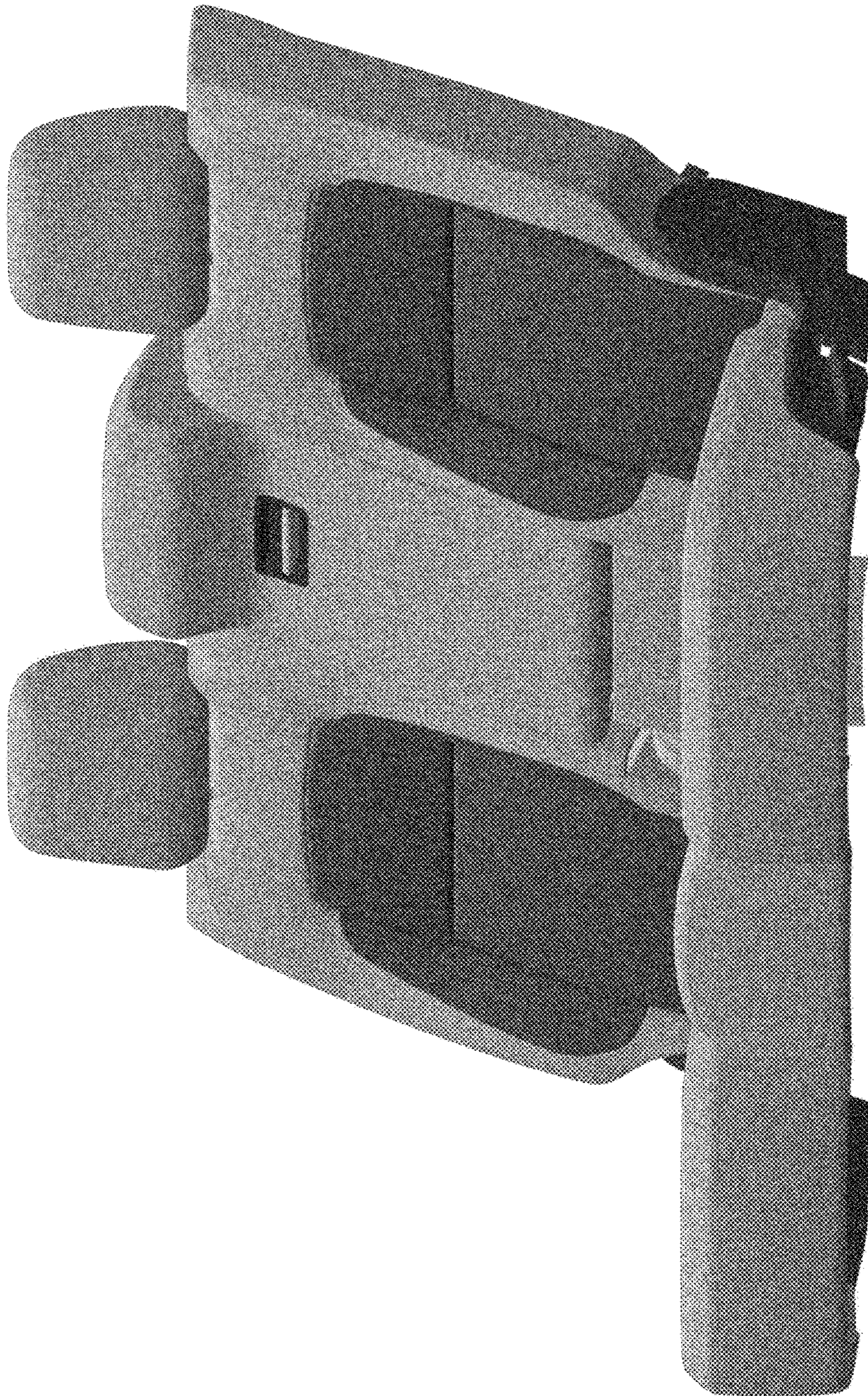


FIG. 19

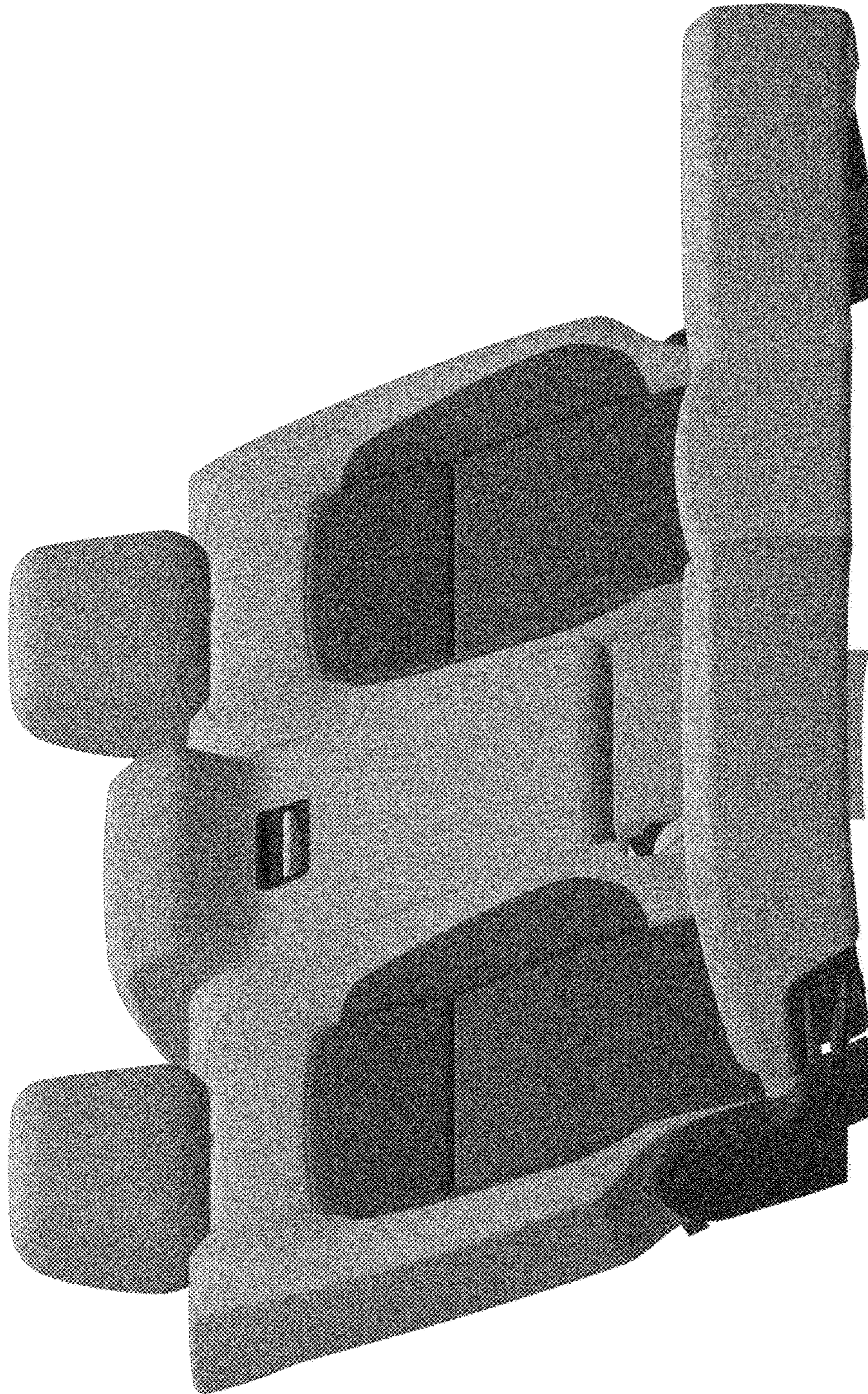


FIG. 20

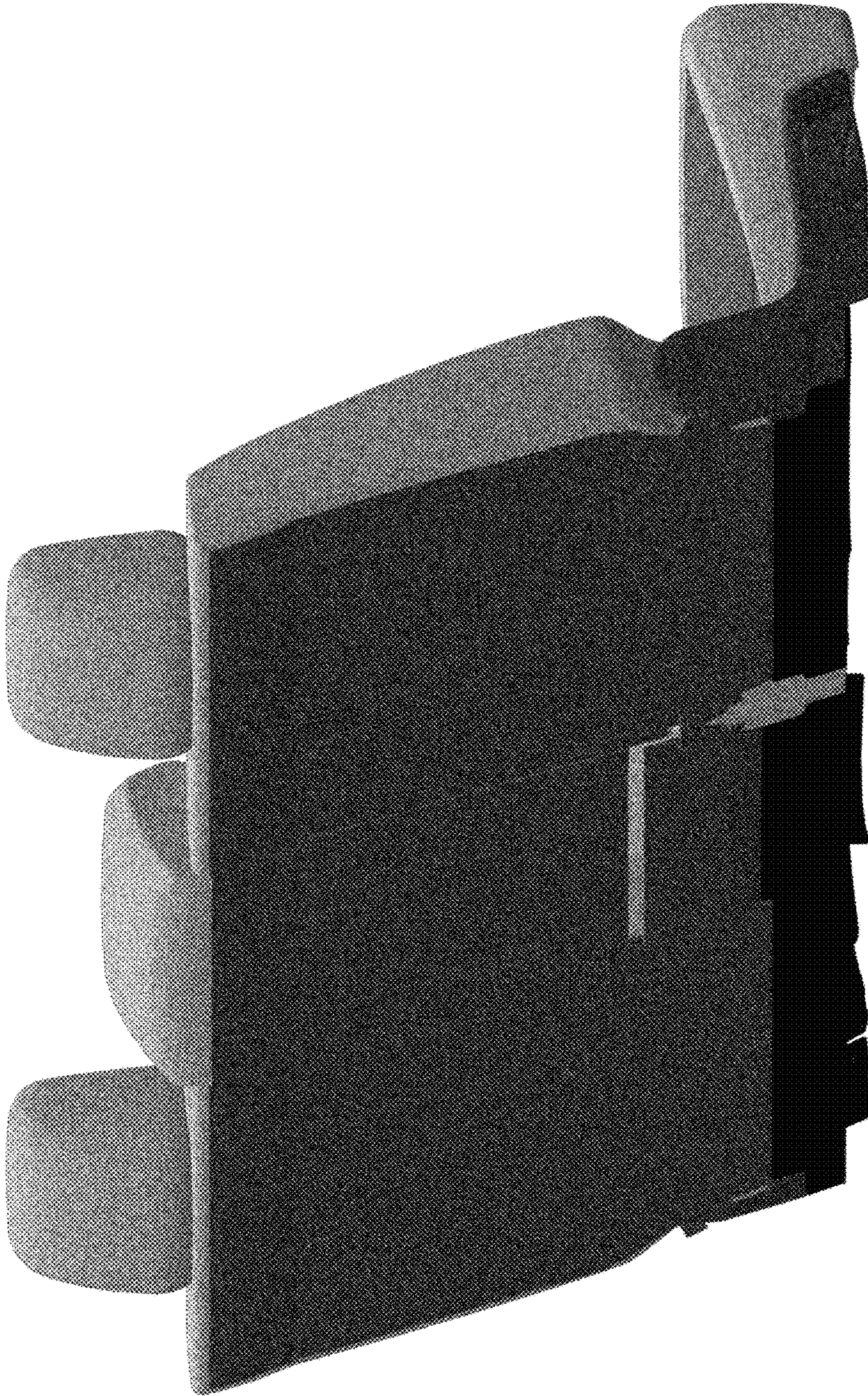


FIG. 21

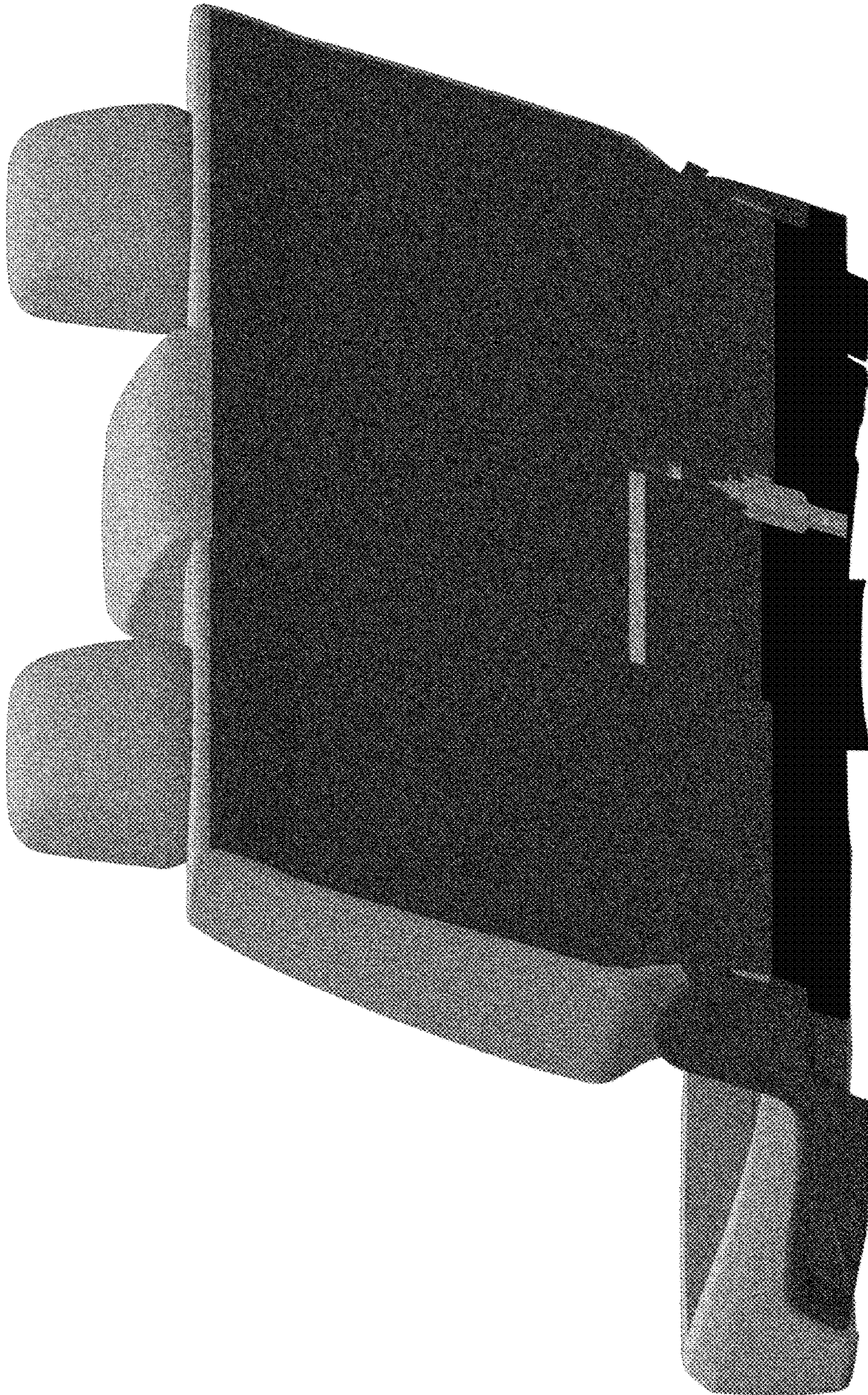


FIG. 22

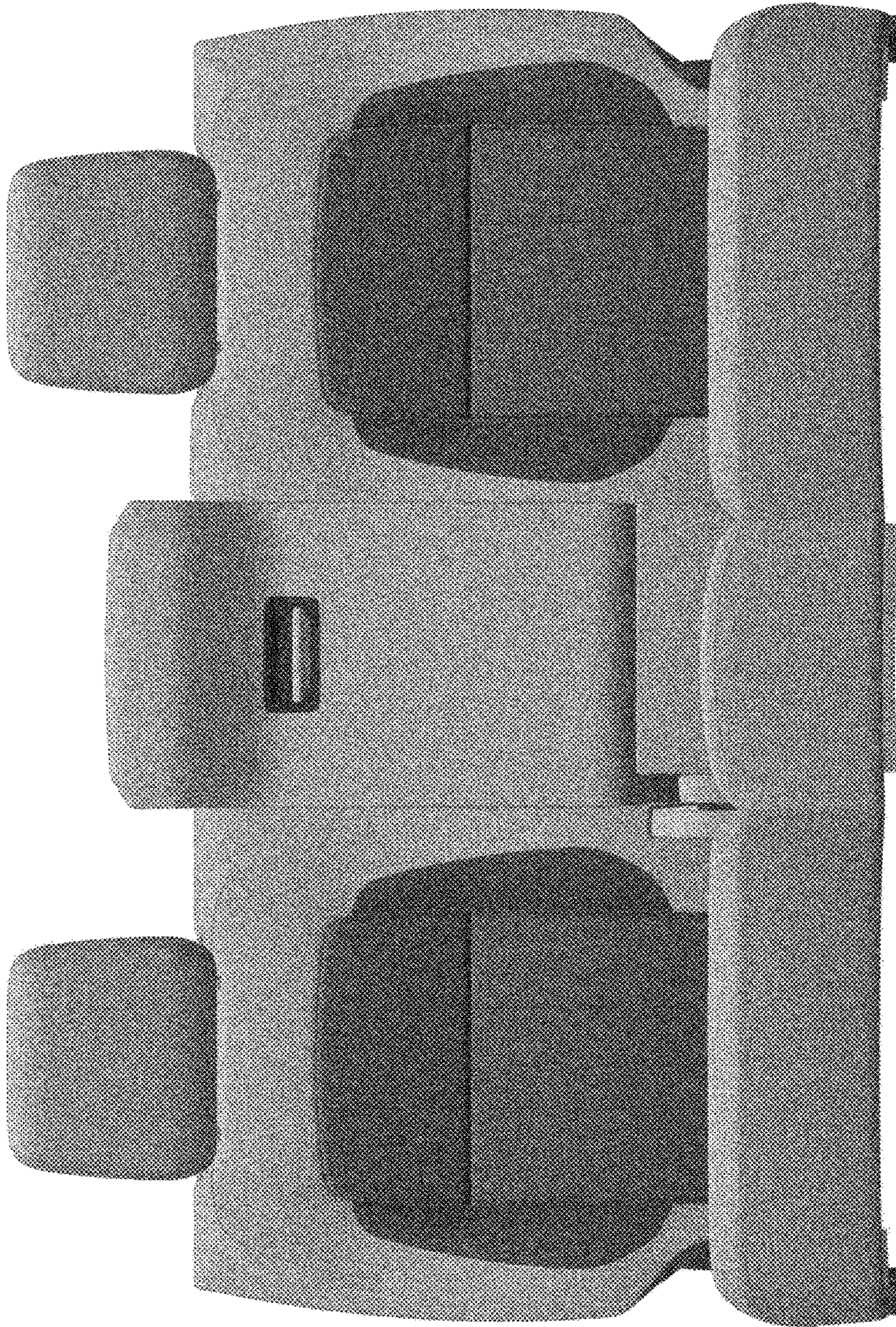


FIG. 23

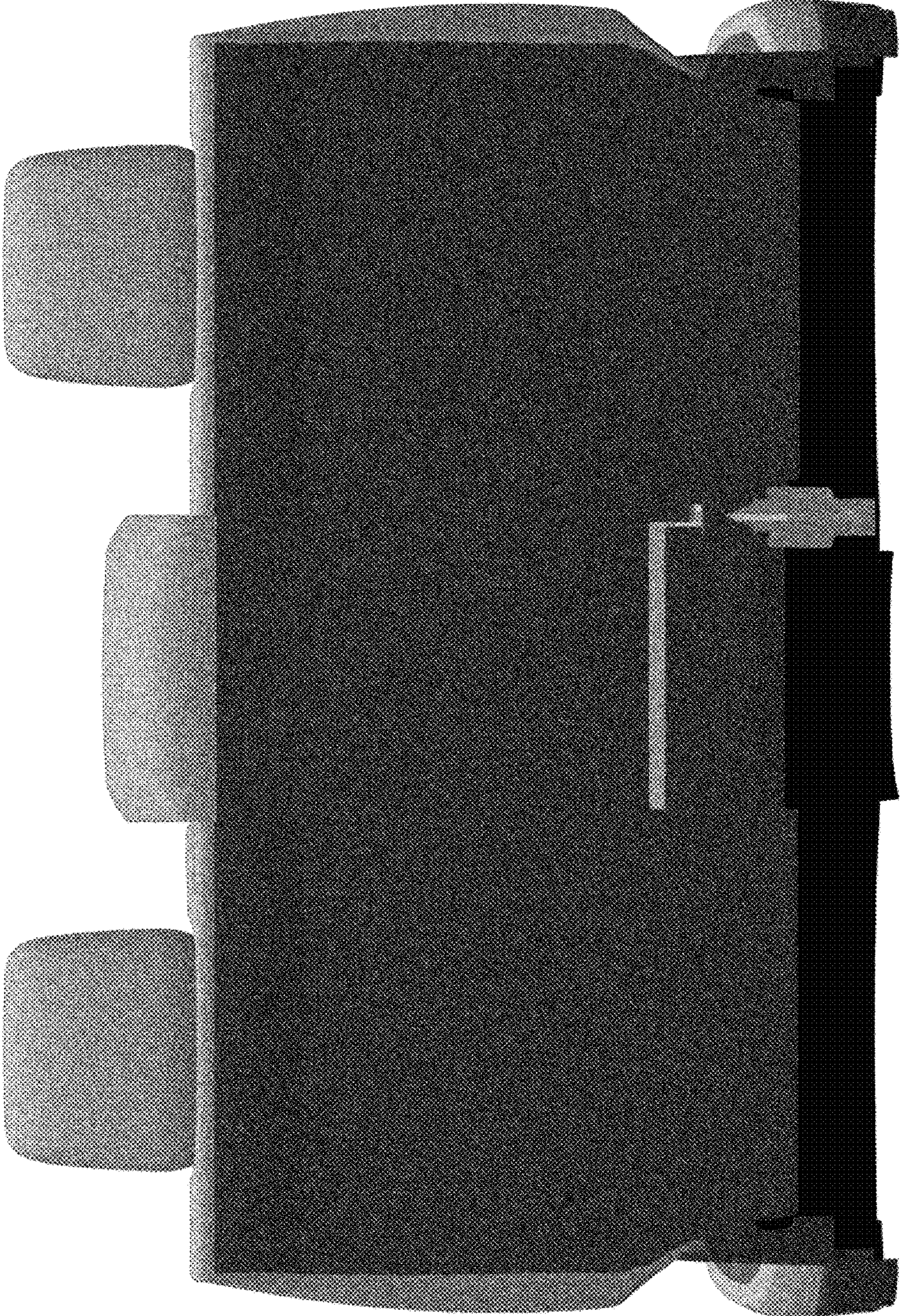


FIG. 24

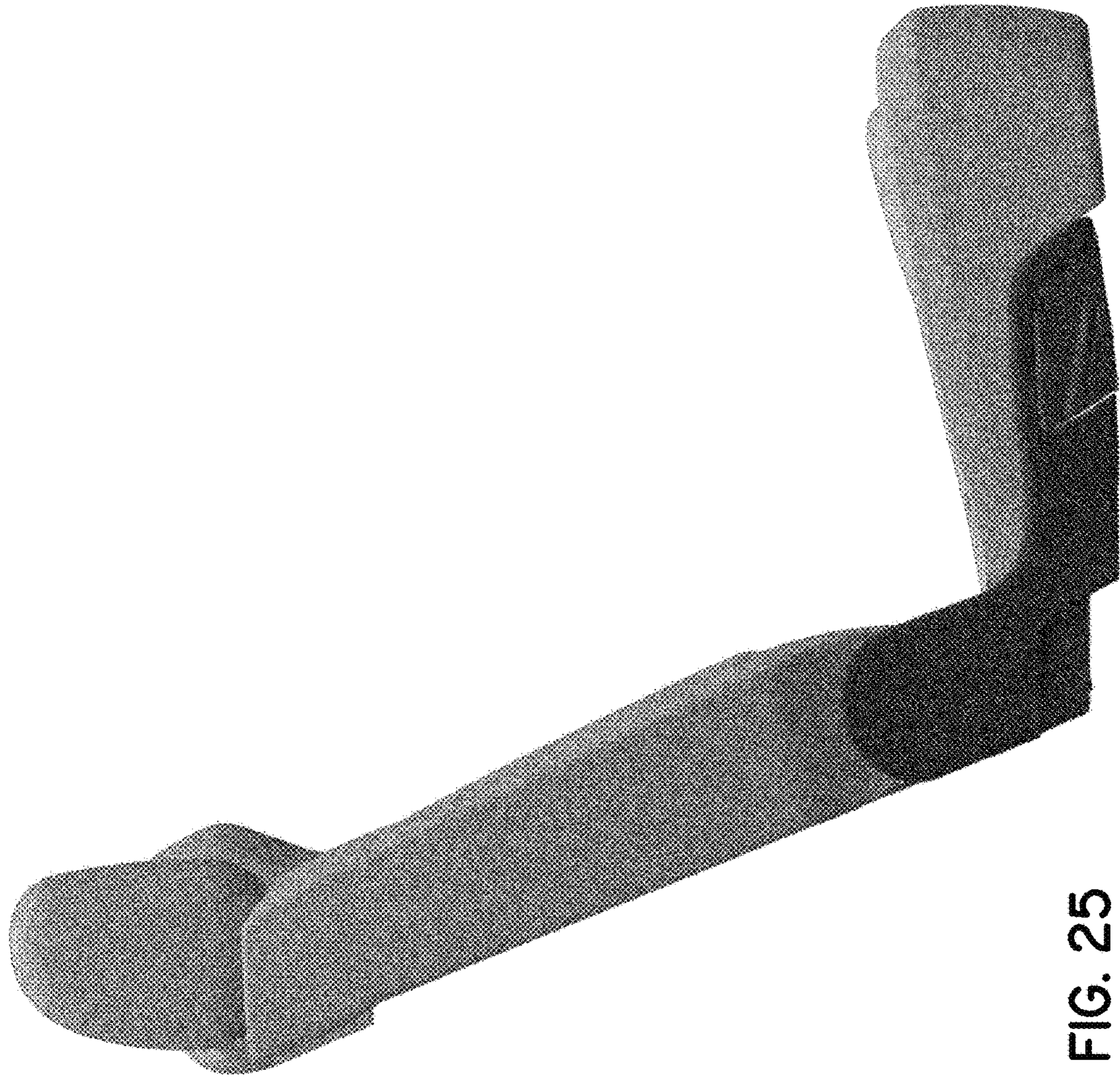


FIG. 25

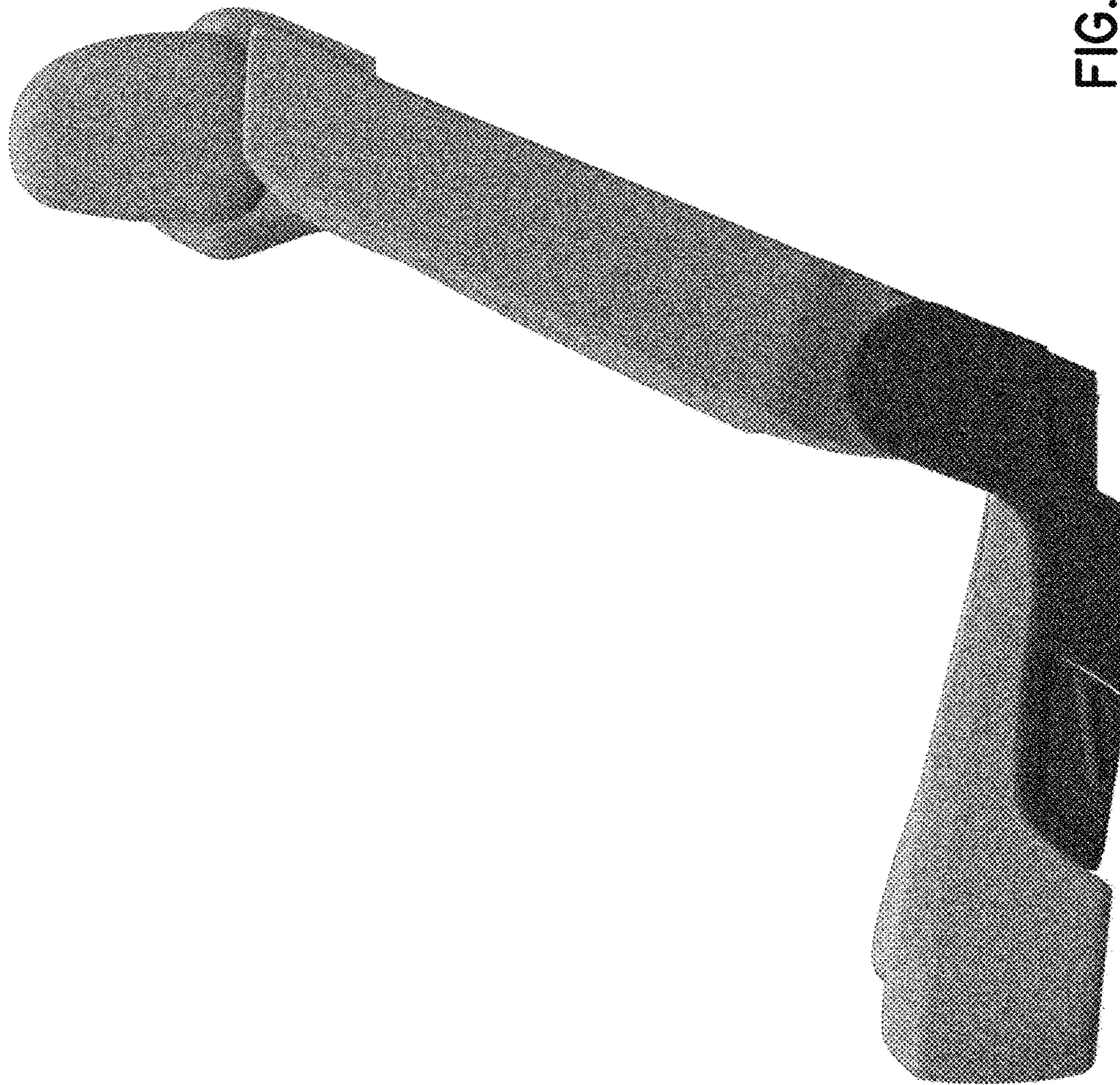


FIG. 26

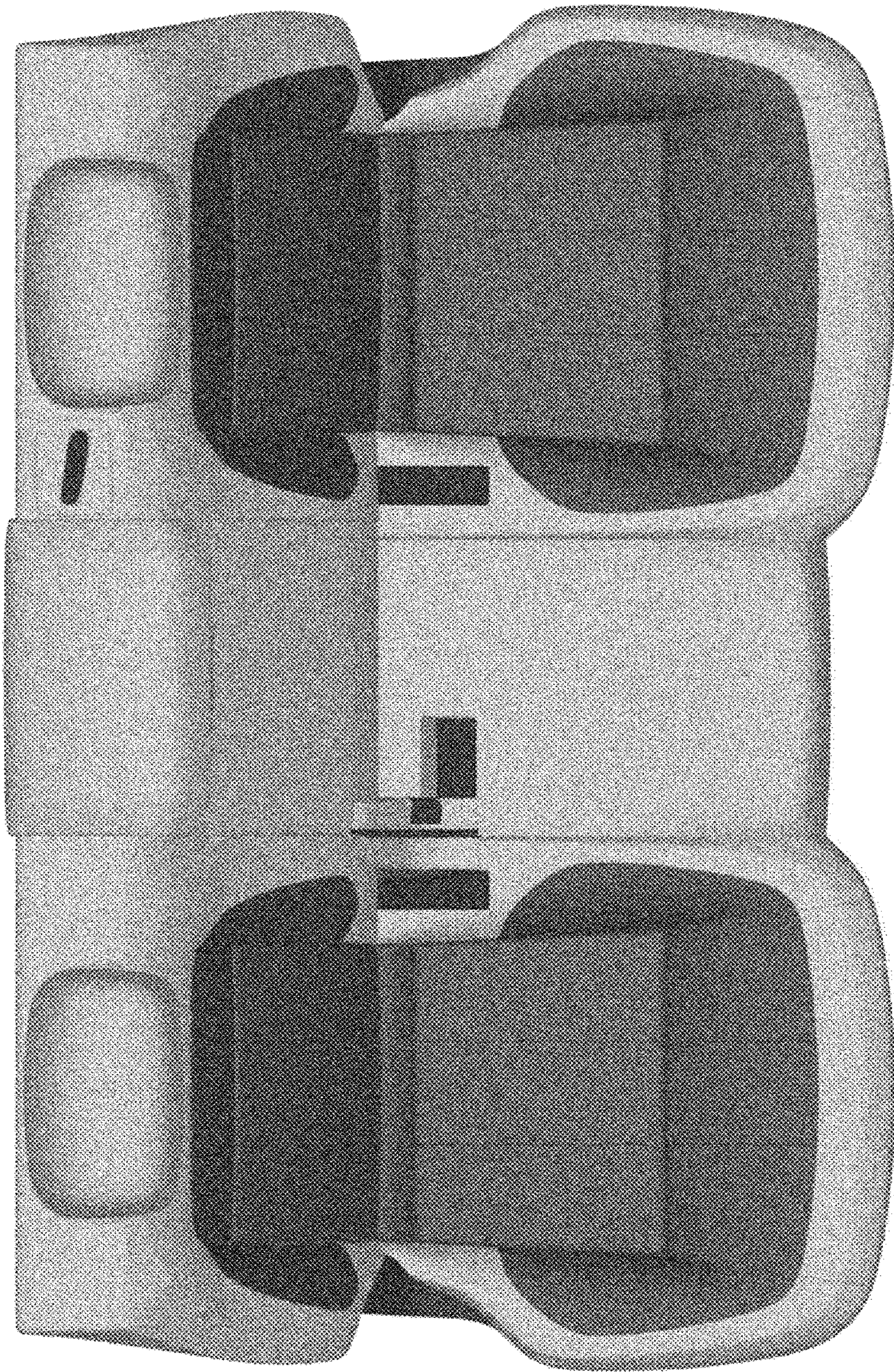


FIG. 27