



US00D839011S

(12) **United States Design Patent**
Hiyoshi

(10) **Patent No.:** **US D839,011 S**

(45) **Date of Patent:** **** Jan. 29, 2019**

(54) **OTTOMAN**
(71) Applicant: **Steelcase Inc.**, Grand Rapids, MI (US)
(72) Inventor: **Yuka Hiyoshi**, Grand Rapids, MI (US)
(73) Assignee: **STEELCASE INC.**, Grand Rapids, MI (US)
(**) Term: **15 Years**

3,746,391 A 7/1973 Novak
D253,377 S 11/1979 Spound et al.
D257,548 S 11/1980 Ungaro
D260,214 S 8/1981 Lewis et al.
D274,676 S 7/1984 Massonnet
4,470,647 A 9/1984 Bishoff et al.
4,640,437 A 2/1987 Weingartner
4,678,234 A 7/1987 Wilson
4,900,090 A 2/1990 Davis
5,218,923 A 6/1993 LaRosa
5,328,246 A 7/1994 Sereboff

(Continued)

(21) Appl. No.: **29/629,420**

(22) Filed: **Dec. 13, 2017**

(51) **LOC (11) Cl.** **06-01**

(52) **U.S. Cl.**
USPC **D6/352**

(58) **Field of Classification Search**
USPC D6/334, 349–353, 355, 364–365, 596,
D6/601, 604, 691–691.9, 692–692.6,
D6/716–716.1
CPC A47C 16/00; A47C 16/02–16/04; A47C
13/00; A47C 11/00; A47C 12/00; A47K
17/02; A47K 17/028; A47B 7/00–7/02
See application file for complete search history.

(56) **References Cited**

U.S. PATENT DOCUMENTS

931,908 A 8/1909 Weld
2,108,241 A 2/1938 Wallace
D118,295 S 12/1939 Tropauer
2,470,011 A 5/1949 Winter et al.
D155,619 S 10/1949 Miller
2,509,525 A 5/1950 Reichhelm
2,833,337 A 5/1958 Meekin
3,002,789 A 10/1961 Brown
3,401,993 A 9/1968 Fenkel
D216,012 S * 11/1969 Buchsbaum D6/352
3,536,359 A 10/1970 Amos
3,669,495 A 6/1972 Von Rudgisch
3,695,340 A 10/1972 Gross

OTHER PUBLICATIONS

JUN-Footstools Creative Stool Foot Stool Wooden Change Shoe Stool. [online] Retrieved Aug. 7, 2018 from URL: <https://www.amazon.co.uk/JUN-Footstools-Creative-Triangle-Removable-Upholstered/dp/B07BN9J15B>.*

(Continued)

Primary Examiner — Vy N Koenig
(74) *Attorney, Agent, or Firm* — Quarles & Brady LLP

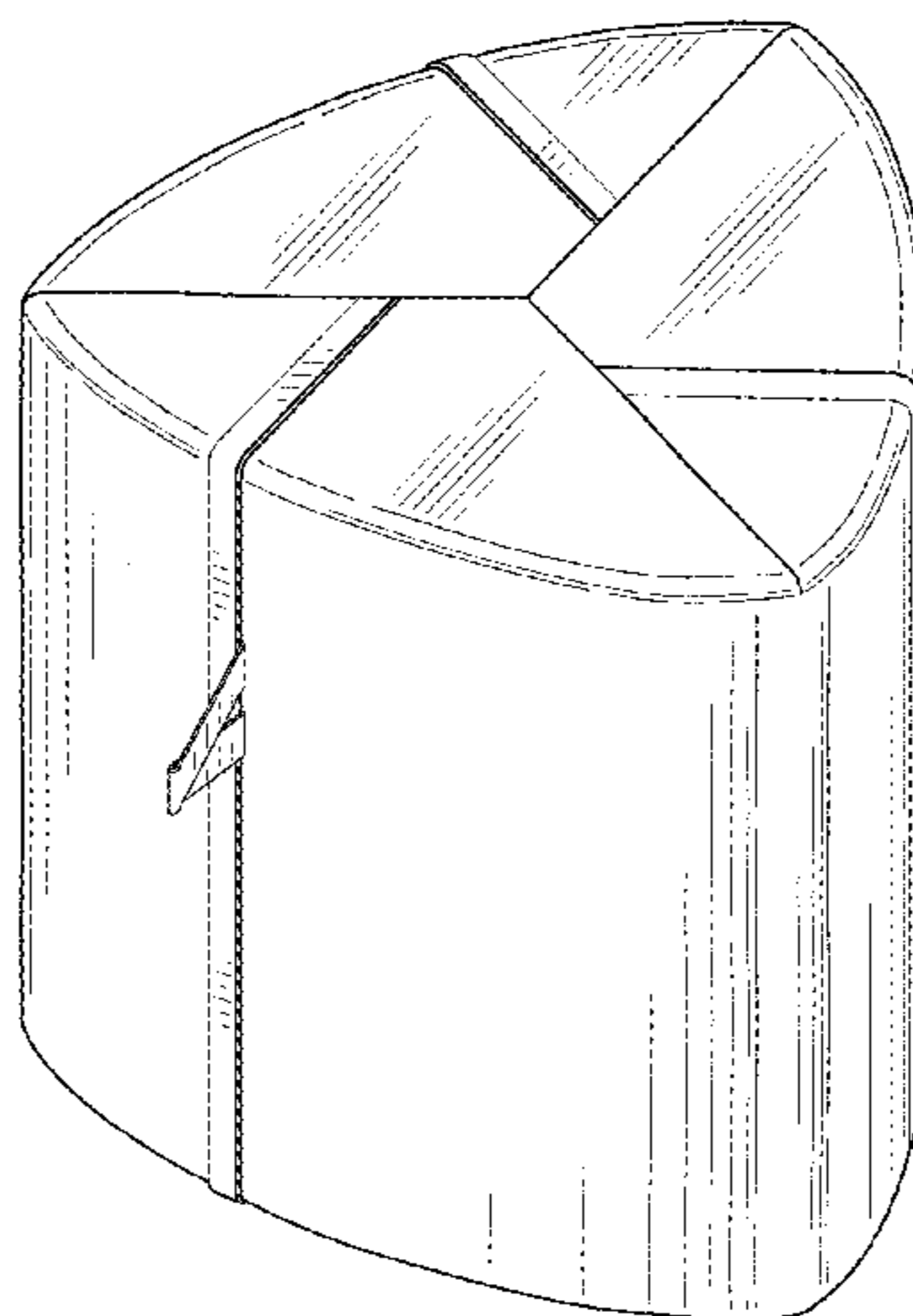
(57) **CLAIM**

The ornamental design for an ottoman, as shown and described.

DESCRIPTION

FIG. 1 is an isometric view of a front, top, and right side of an ornamental design for an ottoman;
FIG. 2 is a front elevational view of the ottoman of FIG. 1;
FIG. 3 is a rear elevational view of the ottoman of FIG. 1
FIG. 4 is a right elevational view of the ottoman of FIG. 1
FIG. 5 is a left elevational view of the ottoman of FIG. 1
FIG. 6 is a top plan view of the ottoman of FIG. 1; and,
FIG. 7 is a bottom plan view of the ottoman of FIG. 1.
The dashed lines are for the purpose of illustrating environmental structure and form no part of the claimed design.

1 Claim, 4 Drawing Sheets



(56)

References Cited

U.S. PATENT DOCUMENTS

5,423,597 A 6/1995 Rogers
 5,509,720 A 4/1996 Croom
 D371,462 S 7/1996 Grossmith
 5,570,588 A 11/1996 Lowe
 5,613,746 A 3/1997 Green et al.
 5,699,925 A 12/1997 Petruzzi
 D398,348 S 9/1998 Hogan
 D406,470 S 3/1999 Lin
 6,063,007 A 5/2000 Sithole
 6,155,641 A 12/2000 Frost
 6,202,787 B1 3/2001 Kessler et al.
 D449,386 S 10/2001 Cheris et al.
 6,557,955 B2 5/2003 Saravis
 D486,966 S 2/2004 Steendyk
 D490,616 S 6/2004 Ljahnicky et al.
 D493,966 S 8/2004 Rach
 D528,808 S 9/2006 Gehry
 D530,109 S 10/2006 Barrett
 D530,529 S 10/2006 Gehry
 D530,530 S 10/2006 Gehry
 D557,910 S 12/2007 Saunders et al.
 D560,378 S 1/2008 Audrito
 D560,400 S 1/2008 Austin et al.
 D564,244 S 3/2008 Ikaheimo
 D566,409 S 4/2008 Lindqvist et al.
 D566,430 S 4/2008 Austin et al.
 D579,675 S 11/2008 Paterson
 D581,703 S 12/2008 Diekman
 7,467,502 B1 12/2008 Sylva
 D586,574 S 2/2009 Gomree
 D592,889 S 5/2009 Carter et al.
 7,526,841 B2 5/2009 Lipniarski
 D597,326 S 8/2009 Boutin
 D600,943 S 9/2009 Austin et al.
 7,597,392 B1 10/2009 Gilmore
 D609,927 S 2/2010 Floer
 D610,359 S * 2/2010 Young-il D6/355
 D611,267 S 3/2010 Collette
 D611,716 S 3/2010 Joly
 D612,162 S 3/2010 Kapasi
 7,818,939 B2 10/2010 Bearinger et al.
 D627,524 S 11/2010 Seliskar
 D627,982 S 11/2010 Shen
 D628,247 S 11/2010 de Boers et al.
 D644,032 S 8/2011 Eveleth
 D647,313 S 10/2011 Chen

D650,182 S 12/2011 Andersson
 D650,184 S 12/2011 Hsu
 D651,367 S 12/2011 Seliskar et al.
 D651,369 S 12/2011 Seliskar et al.
 8,152,238 B2 4/2012 Timme et al.
 D668,463 S 10/2012 Eicke
 D669,276 S 10/2012 Schaack
 D670,090 S 11/2012 Miucci
 D670,508 S * 11/2012 Barber D6/364
 D681,967 S 5/2013 Schoolmeester et al.
 D682,967 S 5/2013 Shealy et al.
 D683,145 S 5/2013 Patel
 D688,050 S 8/2013 Gologorsky
 D690,522 S 10/2013 Pontiff
 D690,949 S 10/2013 Lievore et al.
 D694,533 S 12/2013 Maddadi
 D695,031 S 12/2013 Jehs et al.
 D699,954 S 2/2014 Hidalgo
 D721,236 S 1/2015 Nikolajsen
 D725,926 S 4/2015 Baraldi et al.
 D727,643 S 4/2015 Caldwell
 D728,951 S 5/2015 Yoshida
 D732,843 S 6/2015 Lilly et al.
 D738,125 S 9/2015 Biddle et al.
 9,138,058 B2 9/2015 Koolhaas et al.
 D748,403 S 2/2016 Walser
 D752,216 S 3/2016 Chong et al.
 D764,193 S 8/2016 Gelman
 D764,197 S 8/2016 Yoshida
 D764,198 S 8/2016 Yoshida
 D801,712 S * 11/2017 Neil D6/349
 2002/0185941 A1 12/2002 Ferraro et al.
 2006/0103219 A1 5/2006 Sardana
 2010/0207442 A1 8/2010 Hrib
 2013/0038104 A1 2/2013 Burns et al.
 2013/0069506 A1 3/2013 Bennett et al.
 2013/0097846 A1 4/2013 Pettigrew et al.
 2013/0127228 A1 5/2013 Colvin et al.
 2015/0001900 A1 1/2015 Wang
 2015/0091341 A1 4/2015 Buckley

OTHER PUBLICATIONS

Salon Chair Wedding Chair Covers Used Salon Chair Covers.
 [online] Retrieved Aug. 7, 2018 from URL: <http://www.drewdick.com/images/alibaba-express-china-salon-chair-wedding-chair-covers-used-salon-chair-covers-3/>.*

* cited by examiner

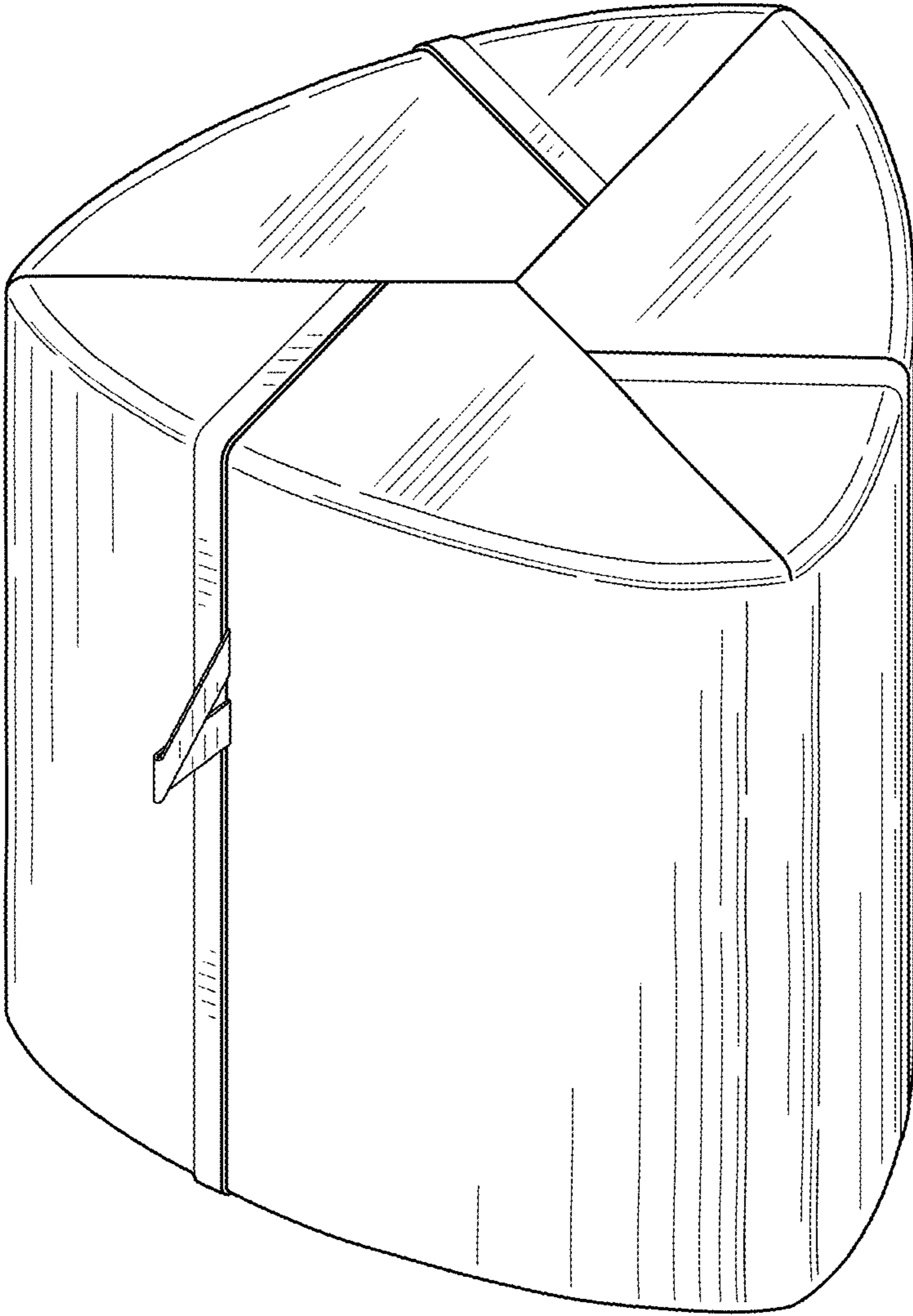


FIG. 1

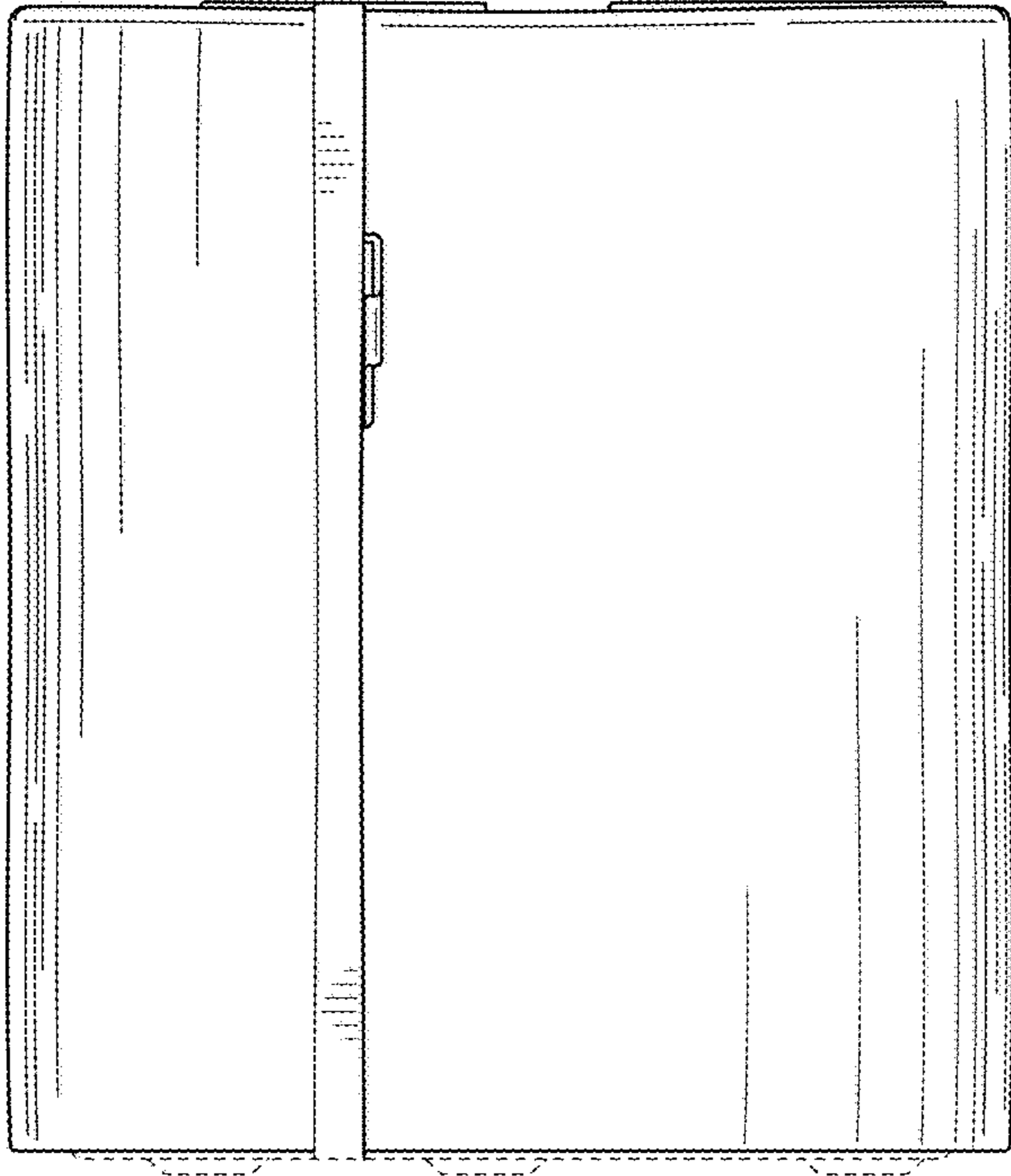


FIG. 2

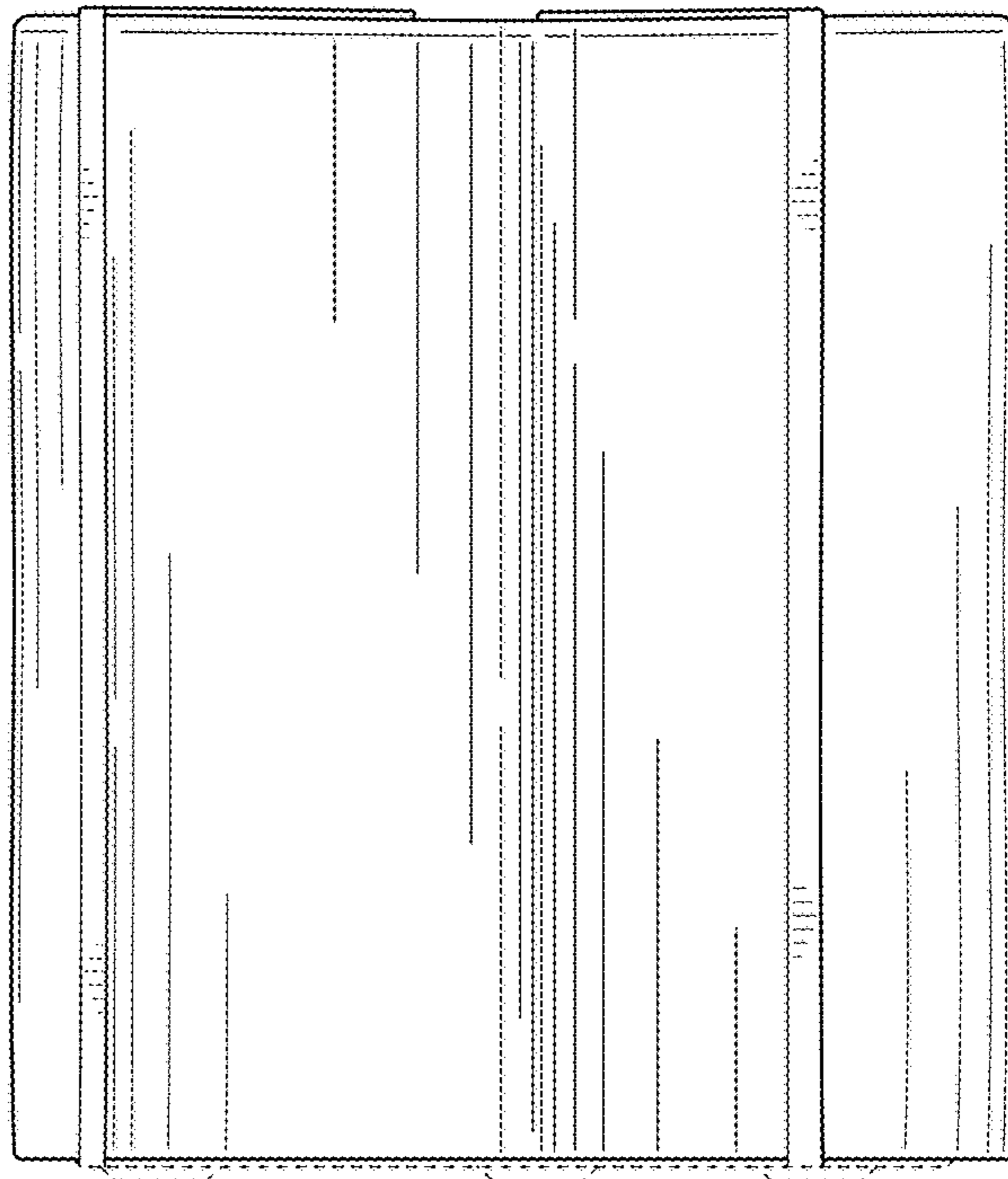


FIG. 3

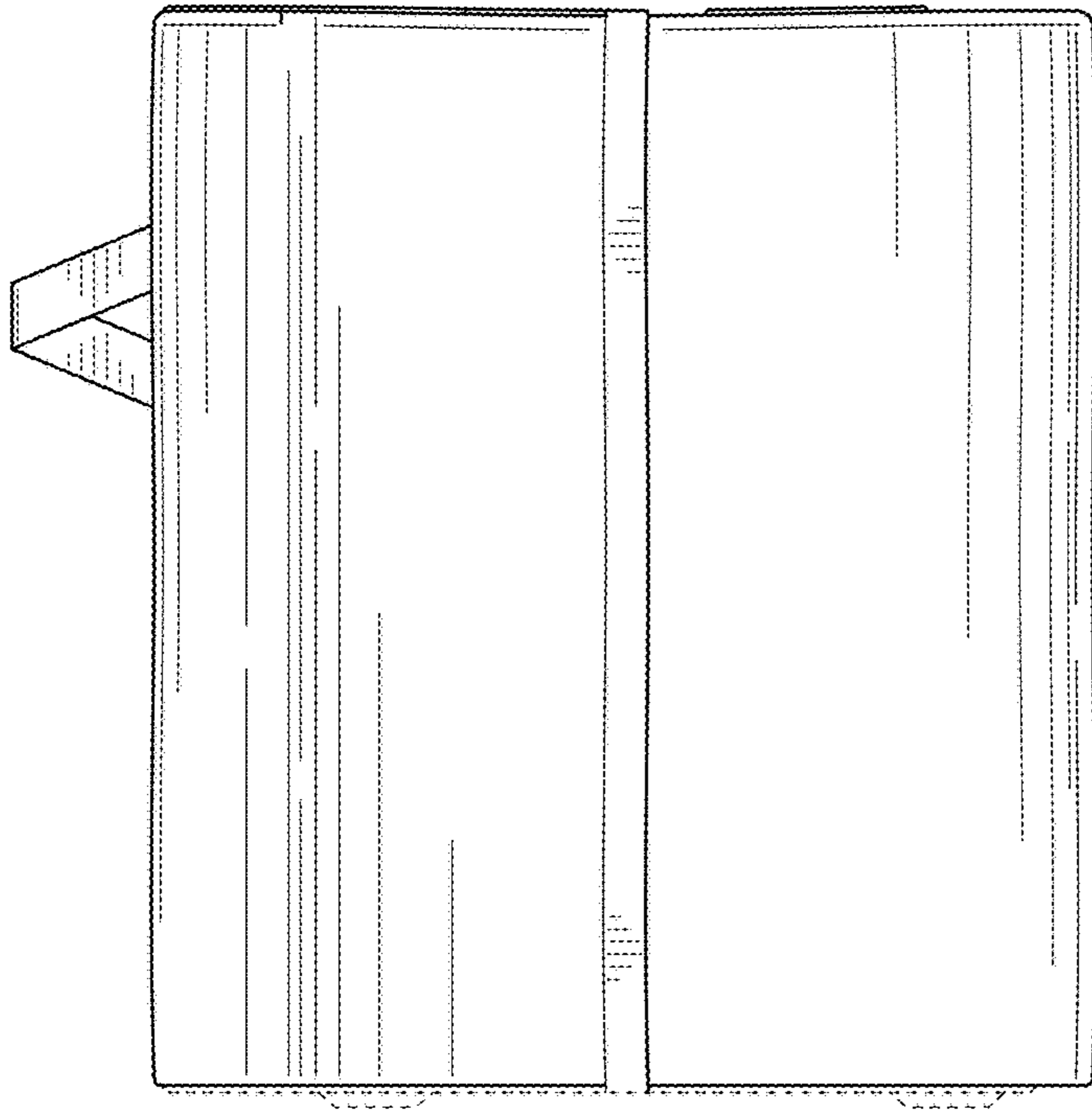


FIG. 4

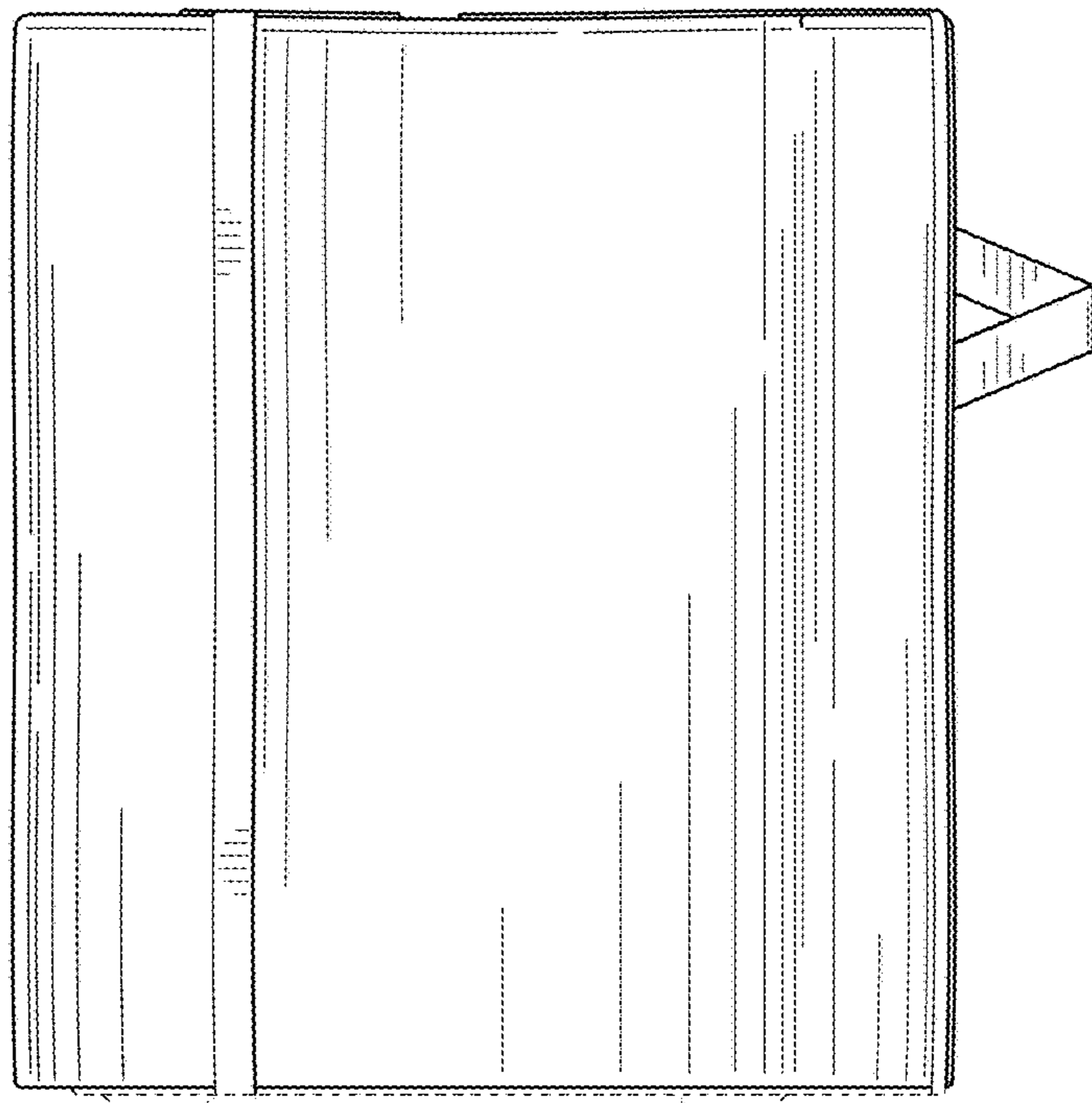


FIG. 5

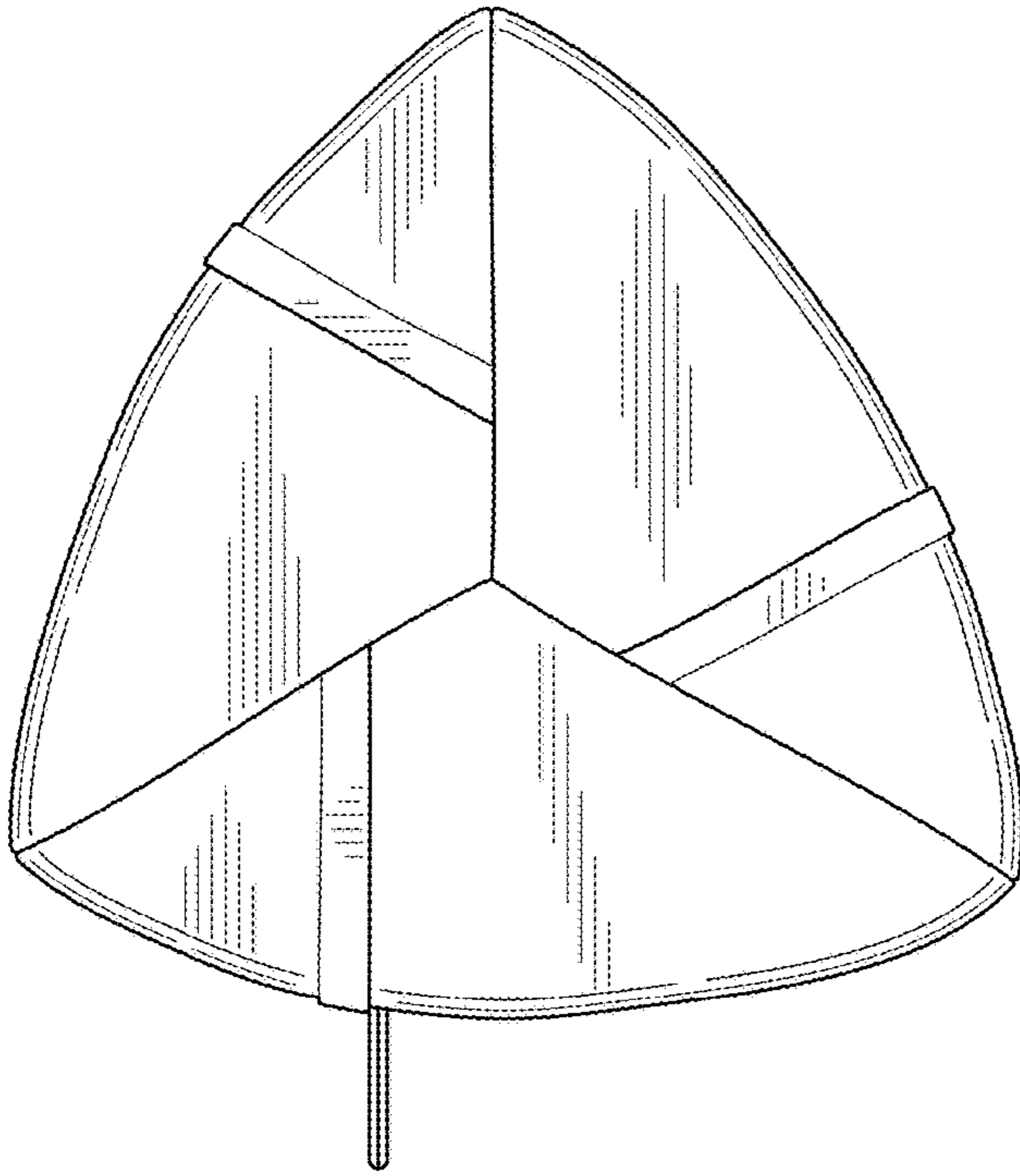


FIG. 6

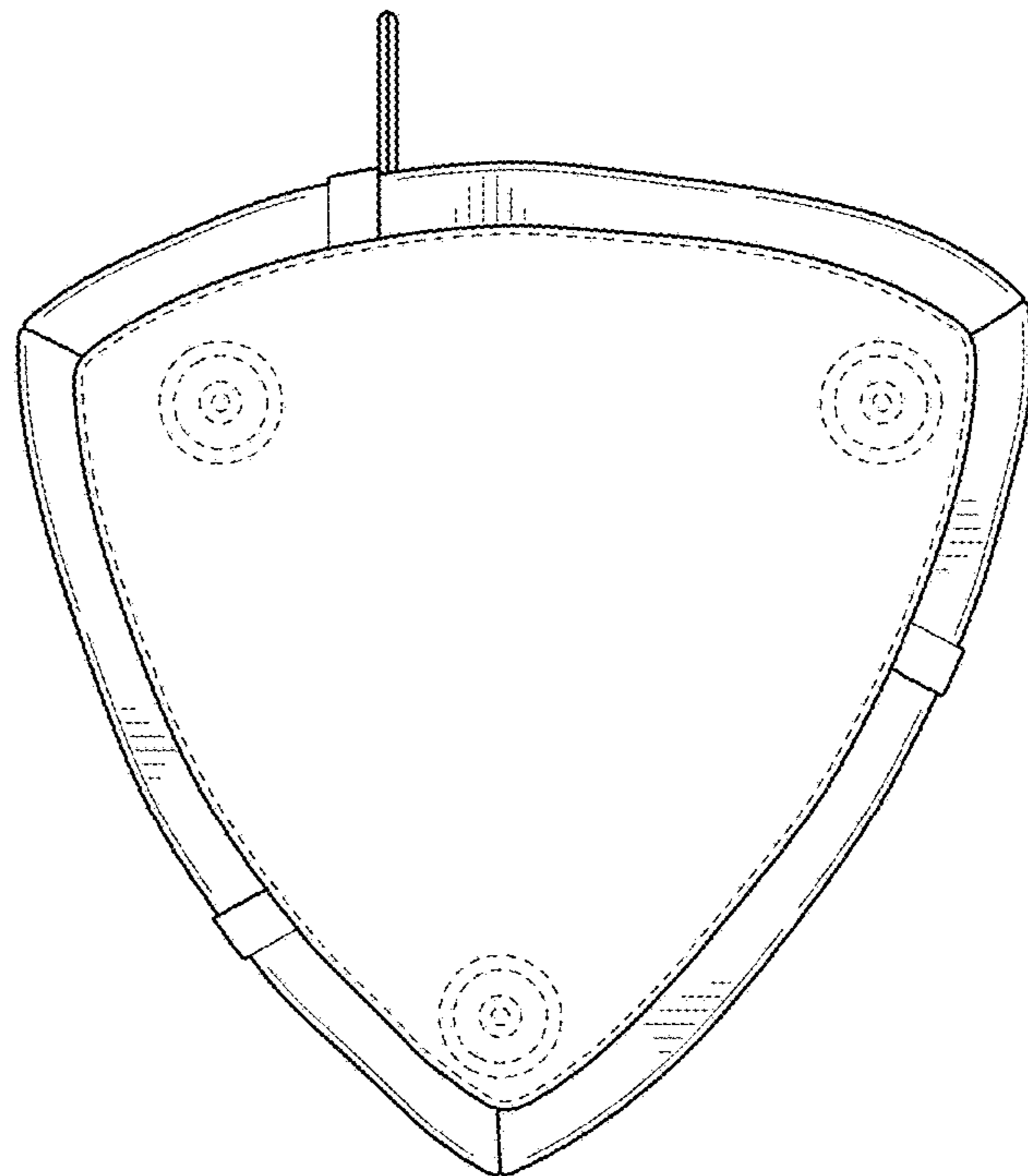


FIG. 7