

US00D839010S

(12) **United States Design Patent**
Anastassiades et al.

(10) **Patent No.:** **US D839,010 S**
(45) **Date of Patent:** **** Jan. 29, 2019**

(54) **STOOL**

(71) Applicant: **HERMAN MILLER, INC.**, Zeeland, MI (US)

(72) Inventors: **Michael Anastassiades**, London (GB);
Kurt Nielsen, Hildebran, NC (US)

(73) Assignee: **Herman Miller, Inc.**, Zeeland, MI (US)

(**) Term: **15 Years**

(21) Appl. No.: **29/655,074**

(22) Filed: **Jun. 29, 2018**

Related U.S. Application Data

(62) Division of application No. 29/579,573, filed on Sep. 30, 2016.

(51) **LOC (11) Cl.** **06-01**

(52) **U.S. Cl.**
USPC **D6/349**

(58) **Field of Classification Search**

USPC D6/334, 349–353, 355, 364–365, 596,
D6/601, 604, 691–691.9, 692–692.6,
D6/716–716.1

CPC A47C 16/00; A47C 16/02–16/04; A47C
13/00; A47C 11/00; A47C 12/00; A47K
17/02; A47K 17/028; A47B 7/00–7/02

See application file for complete search history.

(56) **References Cited**

U.S. PATENT DOCUMENTS

- 2,409,027 A * 10/1946 Fergusson A47B 7/02
108/91
- D215,429 S * 9/1969 Sickler D6/360
- D237,564 S 11/1975 Laylon
- D287,796 S * 1/1987 Evans D6/692.3
- D298,987 S 12/1988 Tiffany
- D313,896 S 1/1991 Kaye
- D366,772 S * 2/1996 Pasin D6/349
- D367,184 S 2/1996 Tolefson

- D450,941 S 11/2001 Spitler
- D489,911 S * 5/2004 Muller D6/360
- D523,251 S * 6/2006 Parpala D6/352
- D540,048 S * 4/2007 Llusca D6/360
- D638,633 S * 5/2011 Du D6/360

(Continued)

OTHER PUBLICATIONS

Spot Stool Counter Height—Herman Miller. [online] Retrieved Jul. 31, 2018 from URL: http://store.hermanmiller.com/dining/stools/spot-counter-stool/2195197.html?lang=en_US#lang=en_US&start=15.*

(Continued)

Primary Examiner — Vy N Koenig

(74) *Attorney, Agent, or Firm* — Michael Best & Friedrich LLP

(57) **CLAIM**

We claim the ornamental design for a stool, as shown and described.

DESCRIPTION

FIG. 1 is a perspective view of a stool embodying the invention.

FIG. 2 is a rear view of the stool of FIG. 1.

FIG. 3 is a front view of the stool of FIG. 1.

FIG. 4 is a first side view of the stool of FIG. 1.

FIG. 5 is a second side view of the stool of FIG. 1.

FIG. 6 is a top view of the stool of FIG. 1.

FIG. 7 is a perspective view of another stool embodying the invention.

FIG. 8 is a rear view of the stool of FIG. 7.

FIG. 9 is a front view of the stool of FIG. 7.

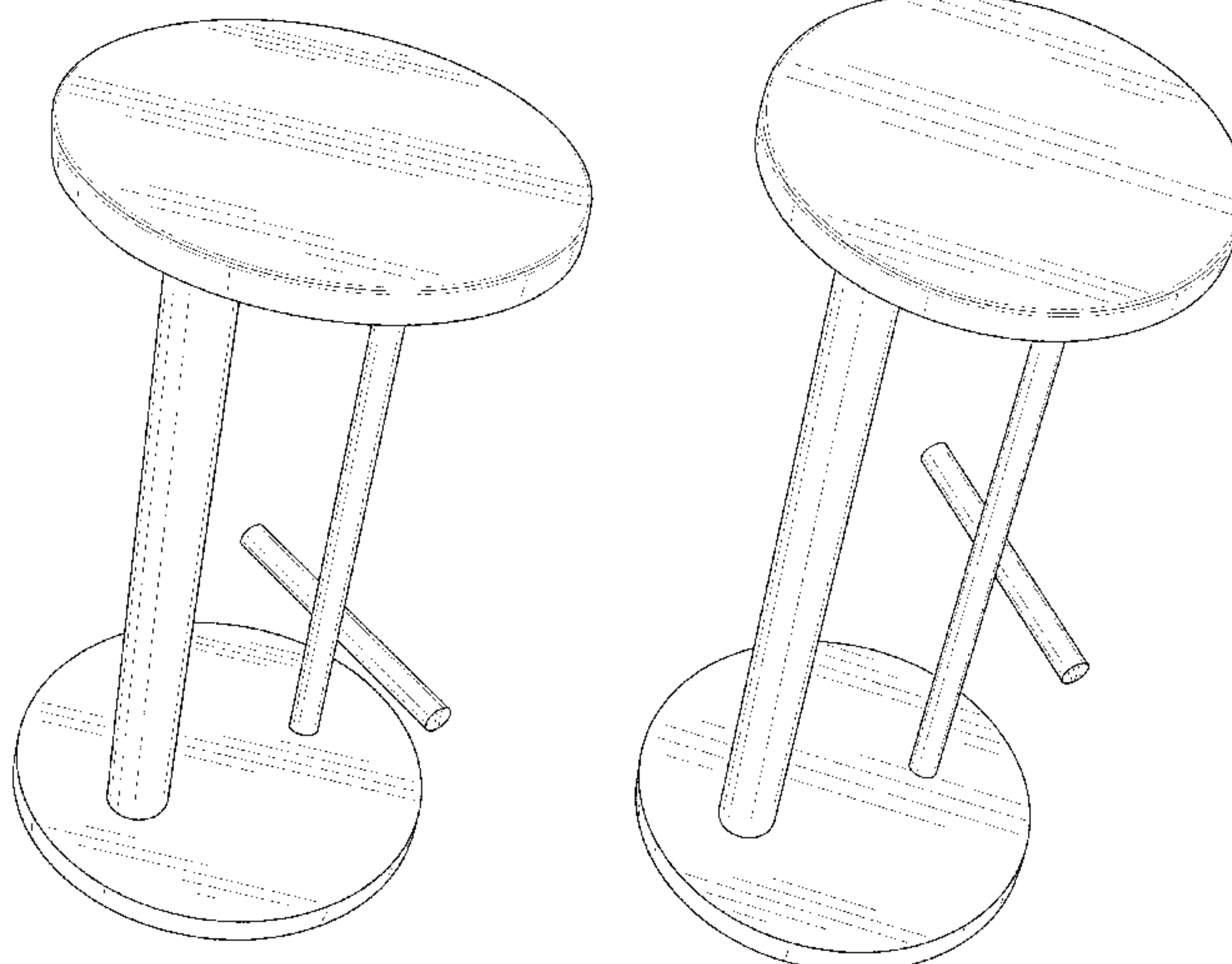
FIG. 10 is a first side view of the stool of FIG. 7.

FIG. 11 is a second side view of the stool of FIG. 7; and,

FIG. 12 is a top view of the stool of FIG. 7.

The broken lines in the drawings depict portions of the stool that form no part of the claimed design.

1 Claim, 12 Drawing Sheets



(56)

References Cited

U.S. PATENT DOCUMENTS

D657,149 S	*	4/2012	Lievore	D6/360
D668,464 S	*	10/2012	Du	D6/353
D683,975 S	*	6/2013	Starck	D6/349
D721,526 S	*	1/2015	Bosman	D6/692.3
D742,128 S		11/2015	Mick	
D746,073 S		12/2015	Elmaleh	
D764,196 S	*	8/2016	Handler	D6/352
D780,492 S		3/2017	Terada	
D799,229 S		10/2017	Pan	
D801,064 S		10/2017	Von Boetticher	
D801,714 S		11/2017	Elmaleh	
D808,183 S		1/2018	Ono	
D808,674 S	*	1/2018	Handler	D6/352

OTHER PUBLICATIONS

37 Beautiful Pleasant Furniture Simple Black Leather. [online] Retrieved Jul. 31, 2018 from URL:<http://sosewmama.com/black-leather-adjustable-bar-stool/furniture-simple-black-leather-adjustable-bar-stools-for-exciting-high-chair-design-ideas-best-outdoor-stool-ulcerative-colitis-color-miralax-thin-ch>.*

Spot stool. [online] Retrieved May 7, 2018 from URL: <https://hivemodem.com/pages/product10210/spot-stool-michael-anastassiades-herman-miller>.

Herman Miller goes to minimalist furniture for Milan. Published Apr. 19, 2016. Retrieved from URL: <https://www.woodworkingnetwork.com/furniture/herman-miller-goes-minimalist-furniture-milan>>.

* cited by examiner

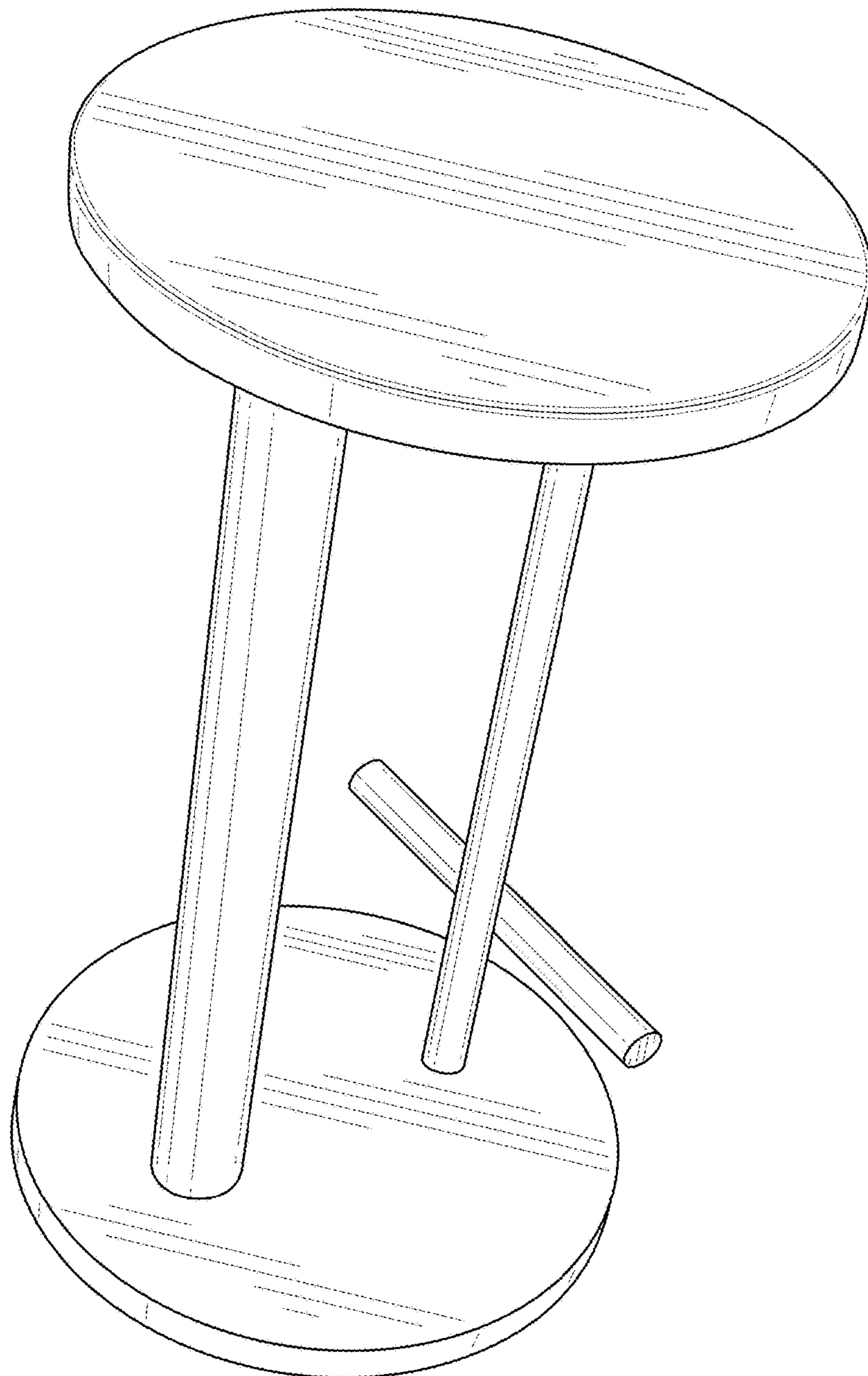


FIG. 1

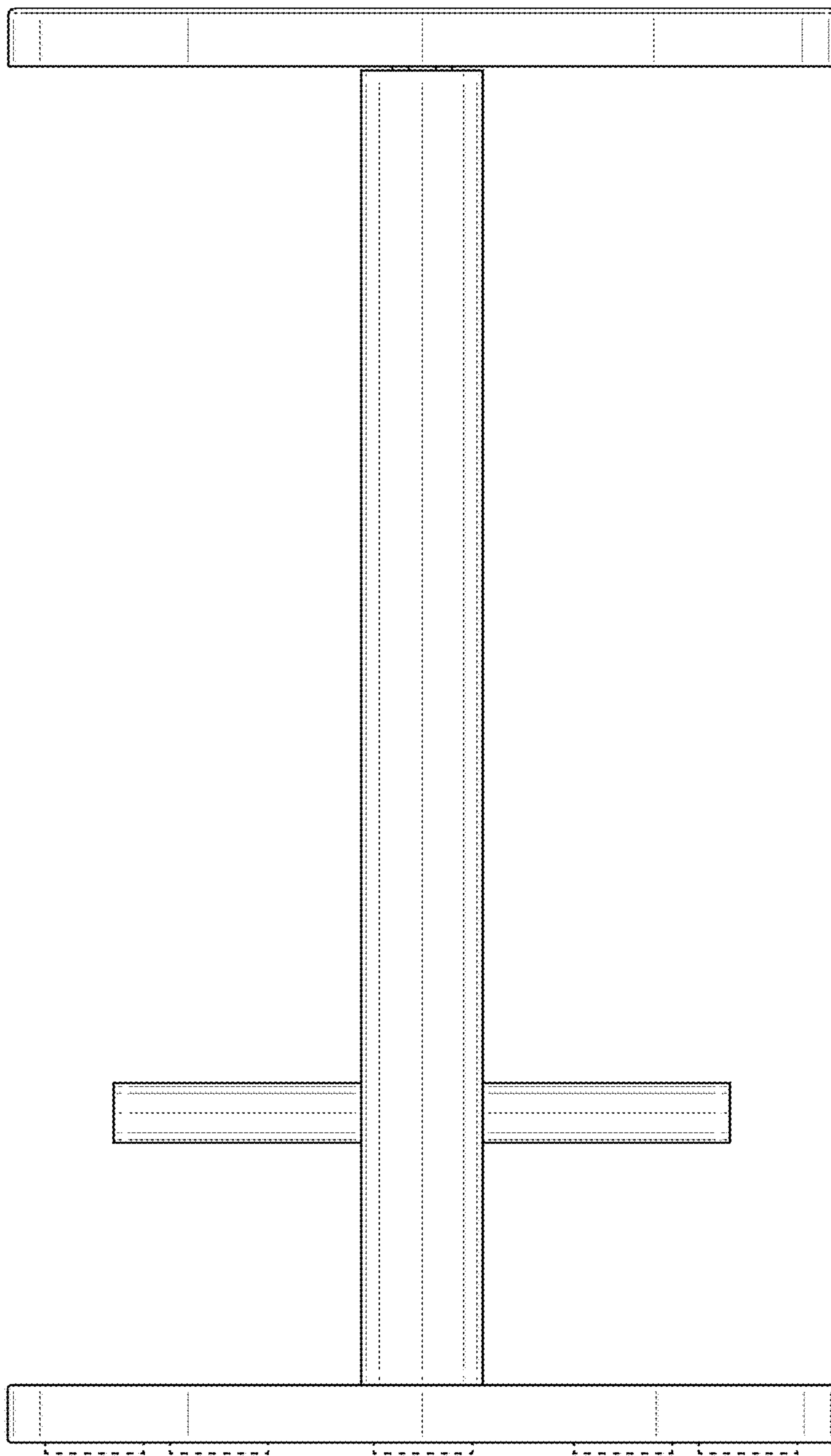


FIG. 2

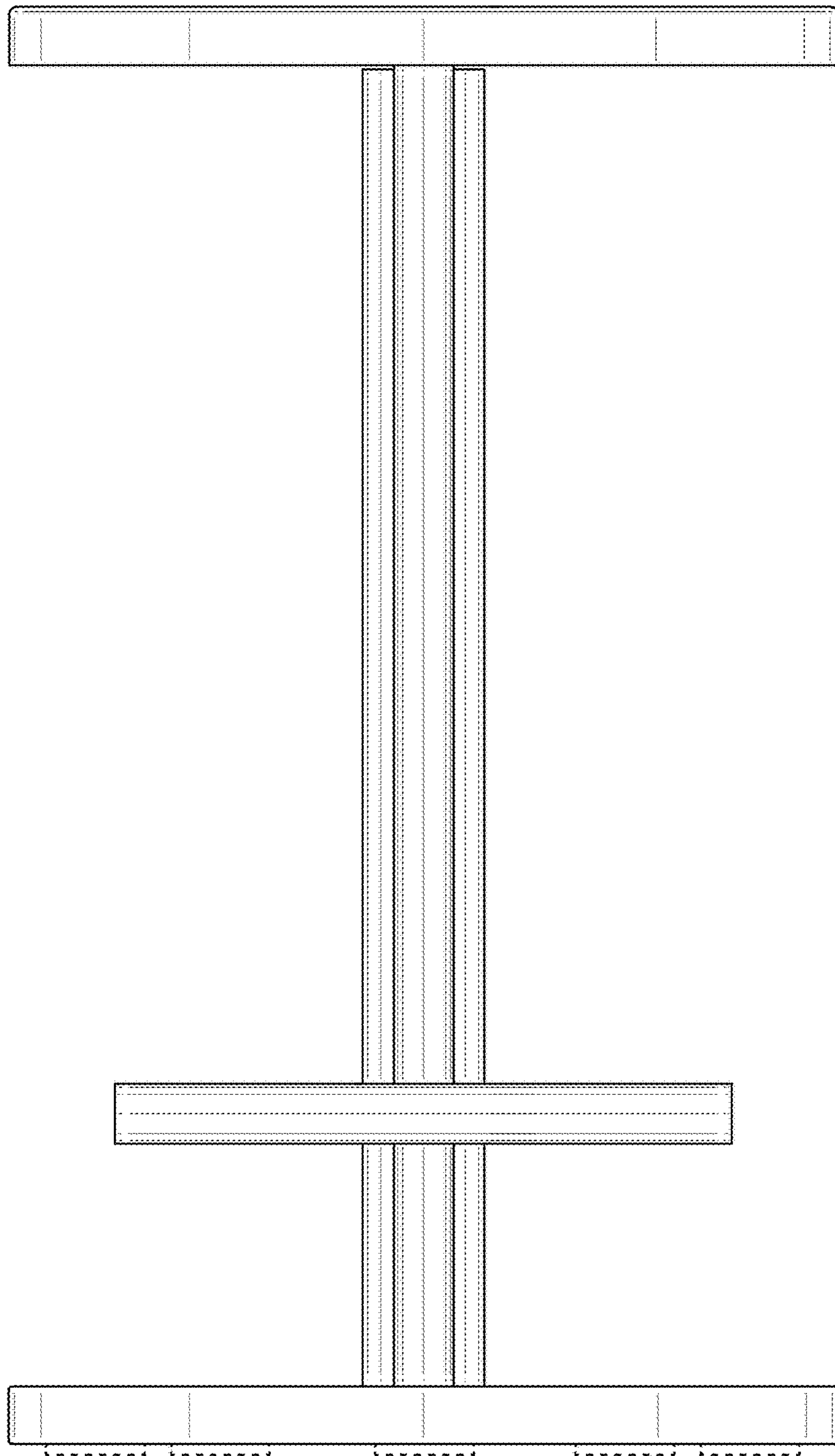


FIG. 3

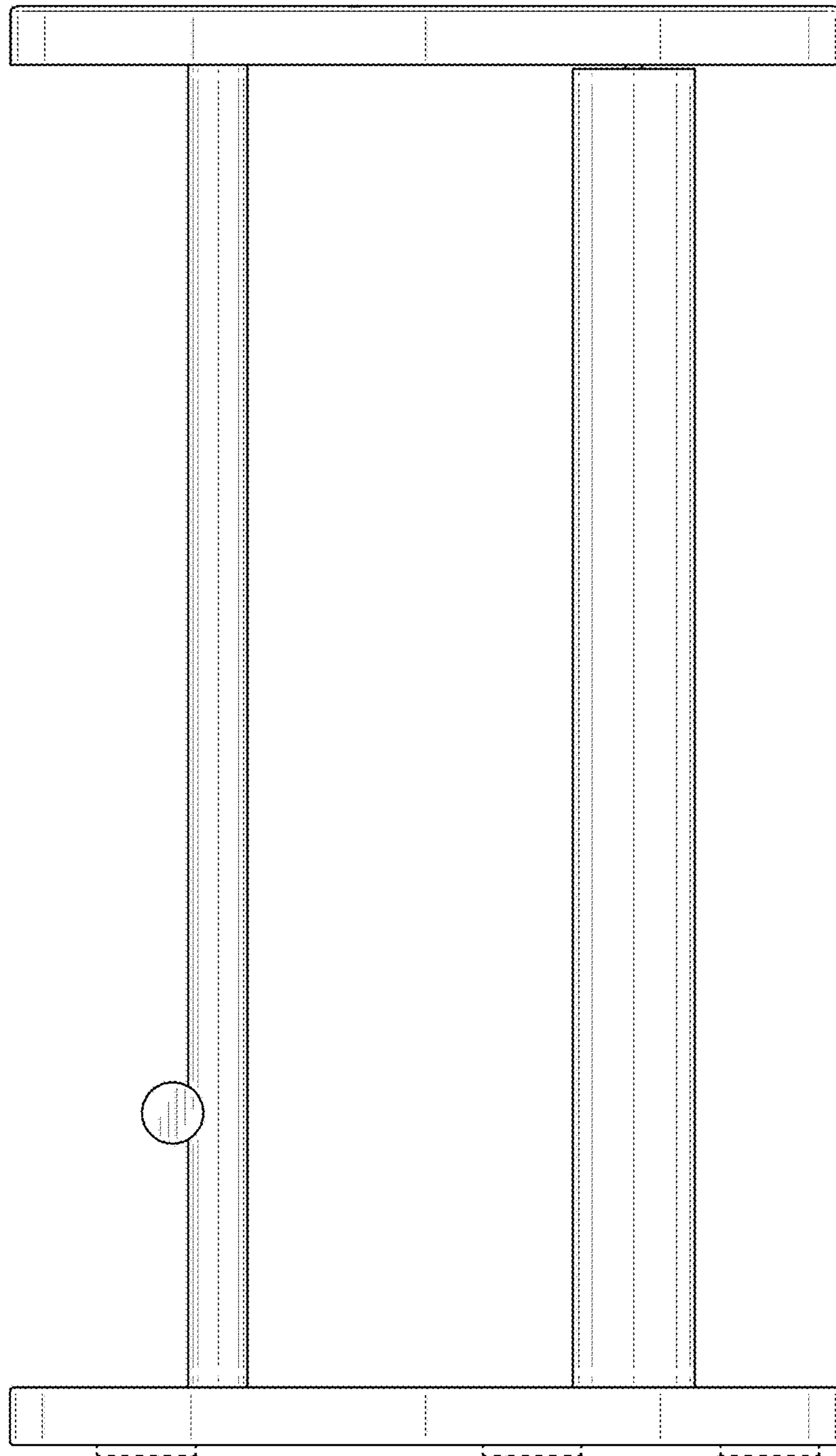


FIG. 4

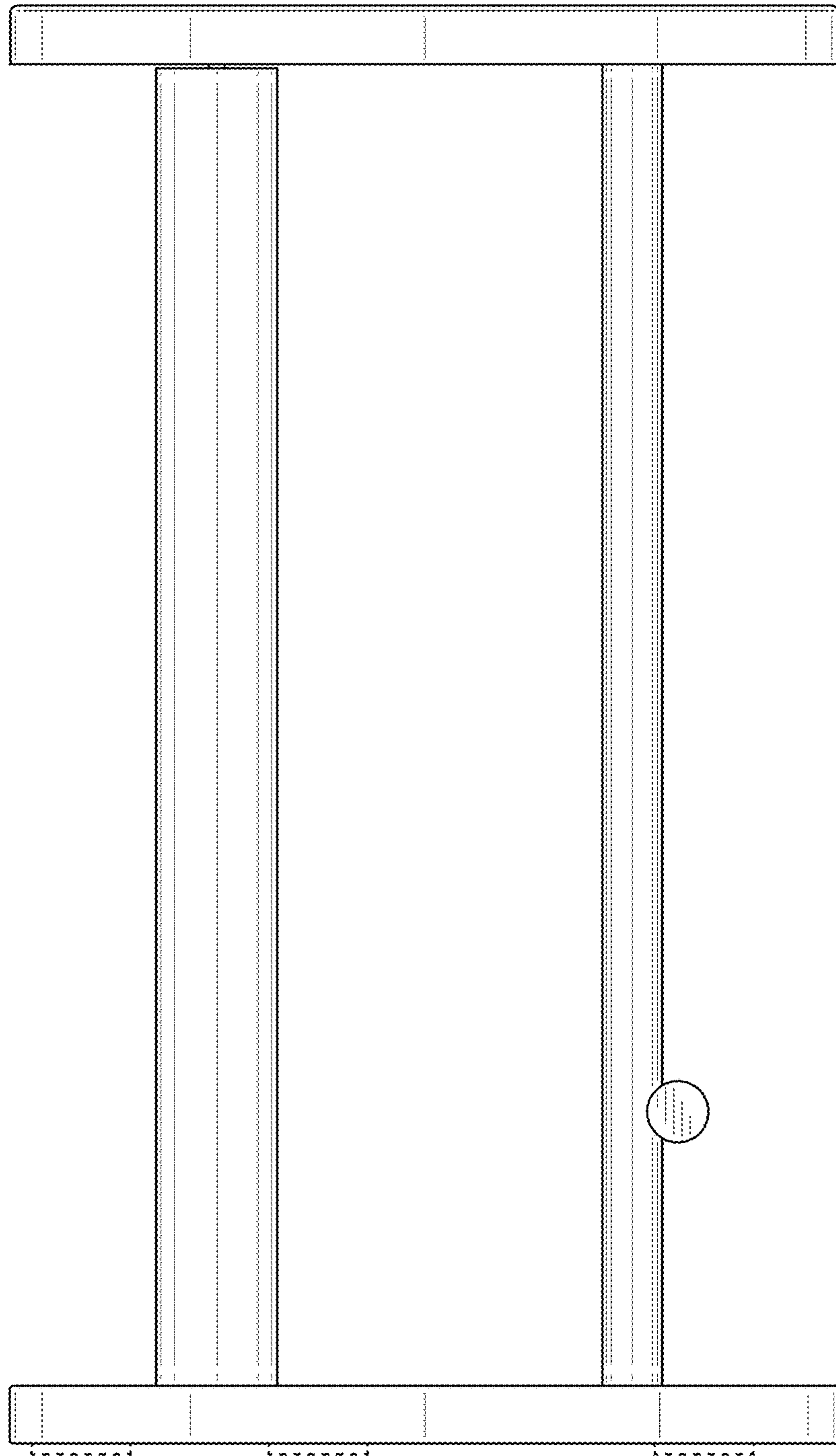


FIG. 5



FIG. 6

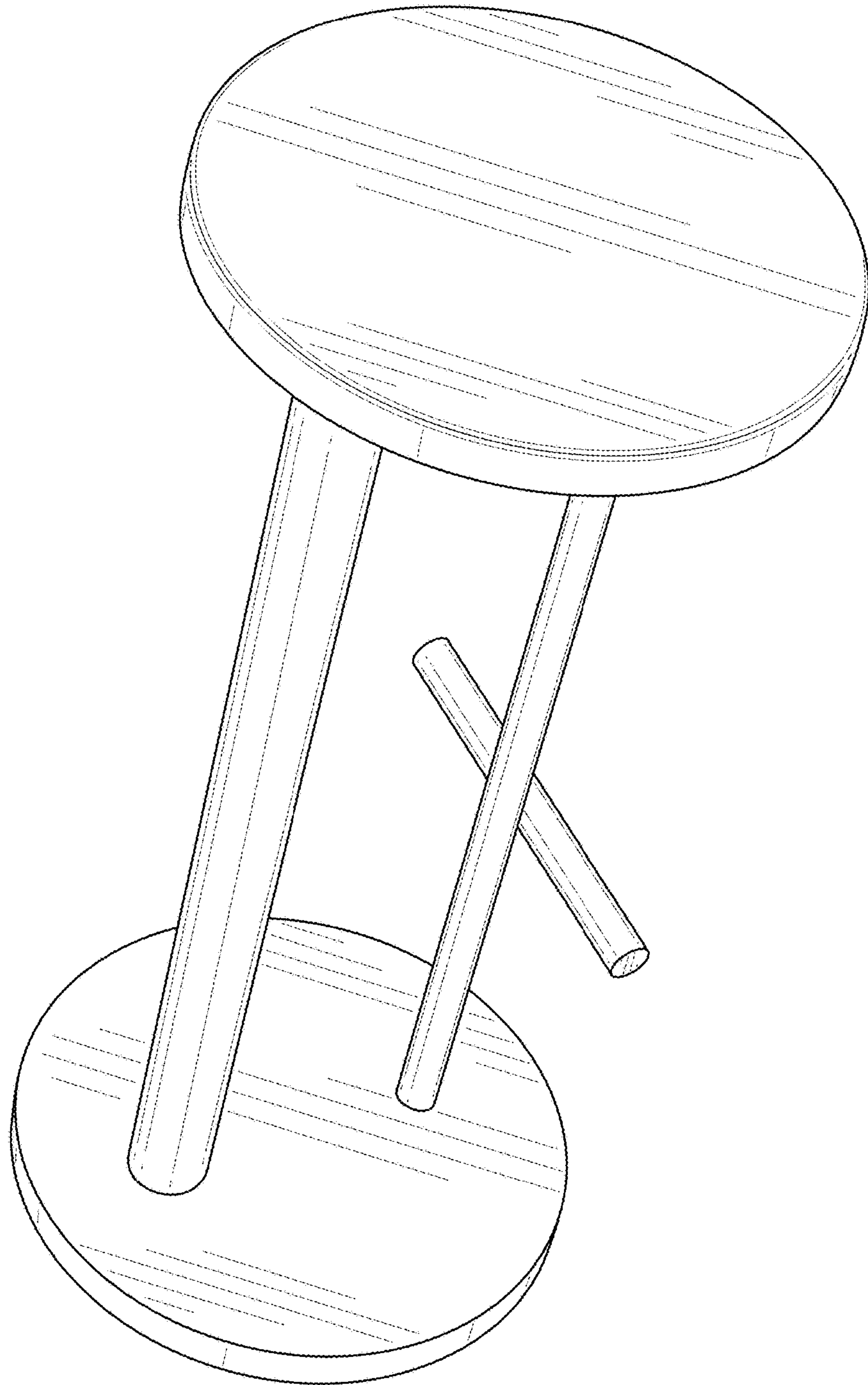


FIG. 7

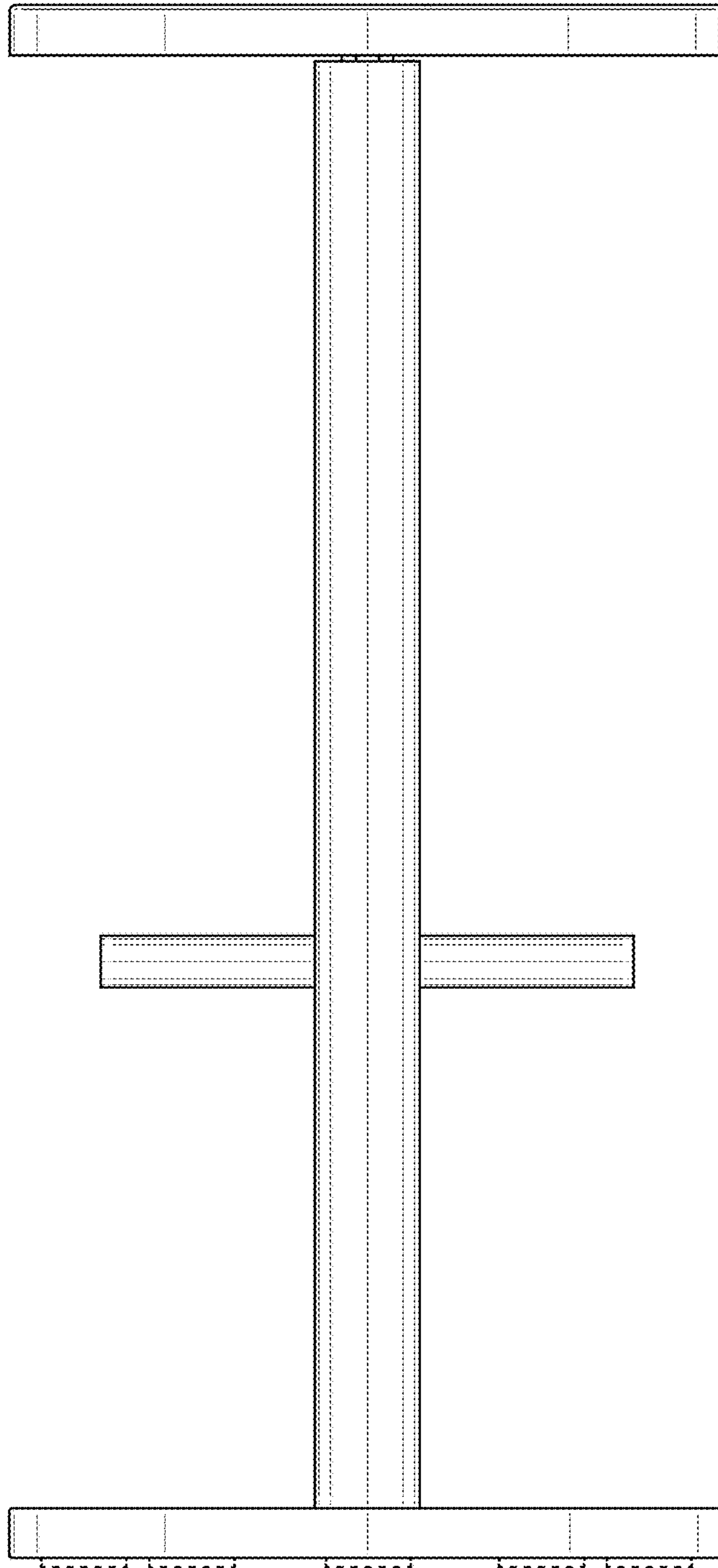


FIG. 8

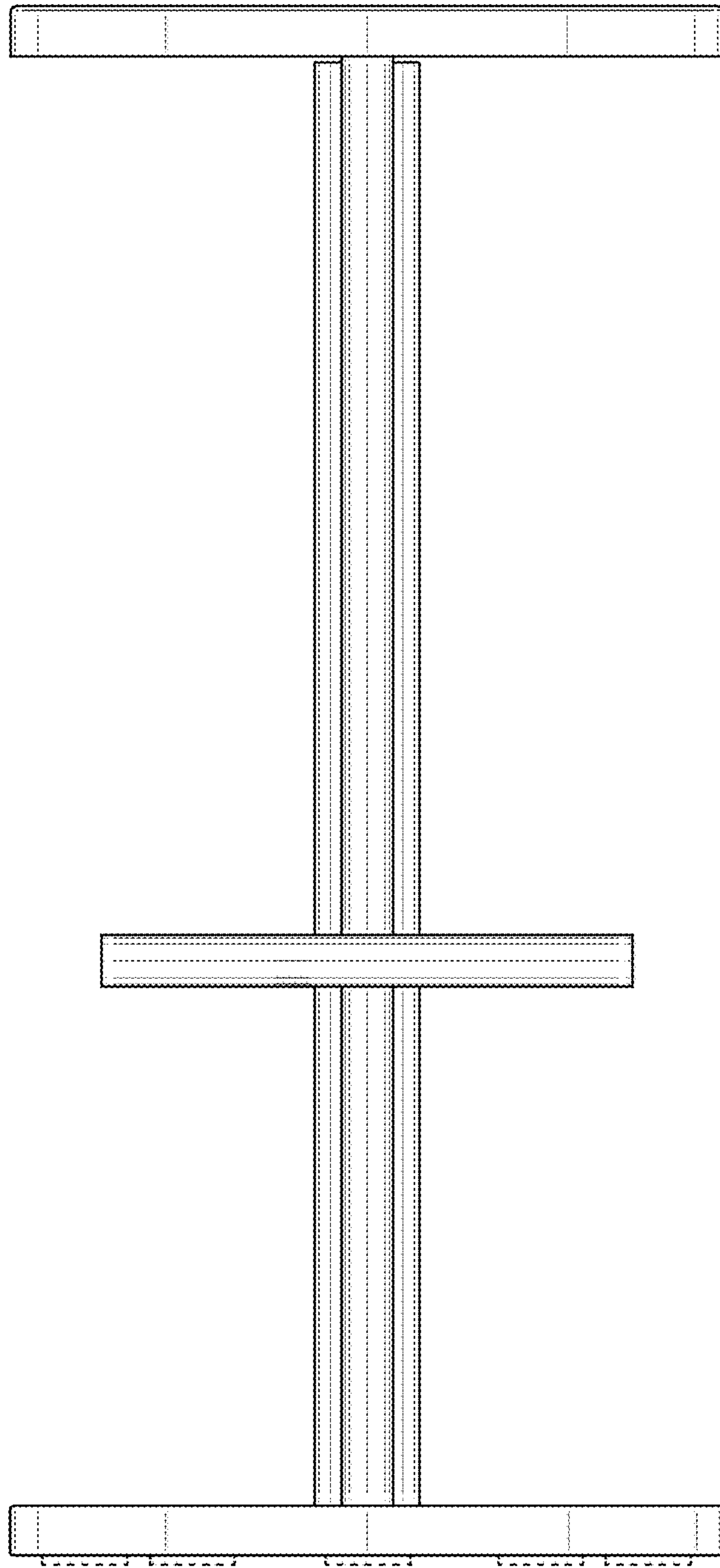


FIG. 9

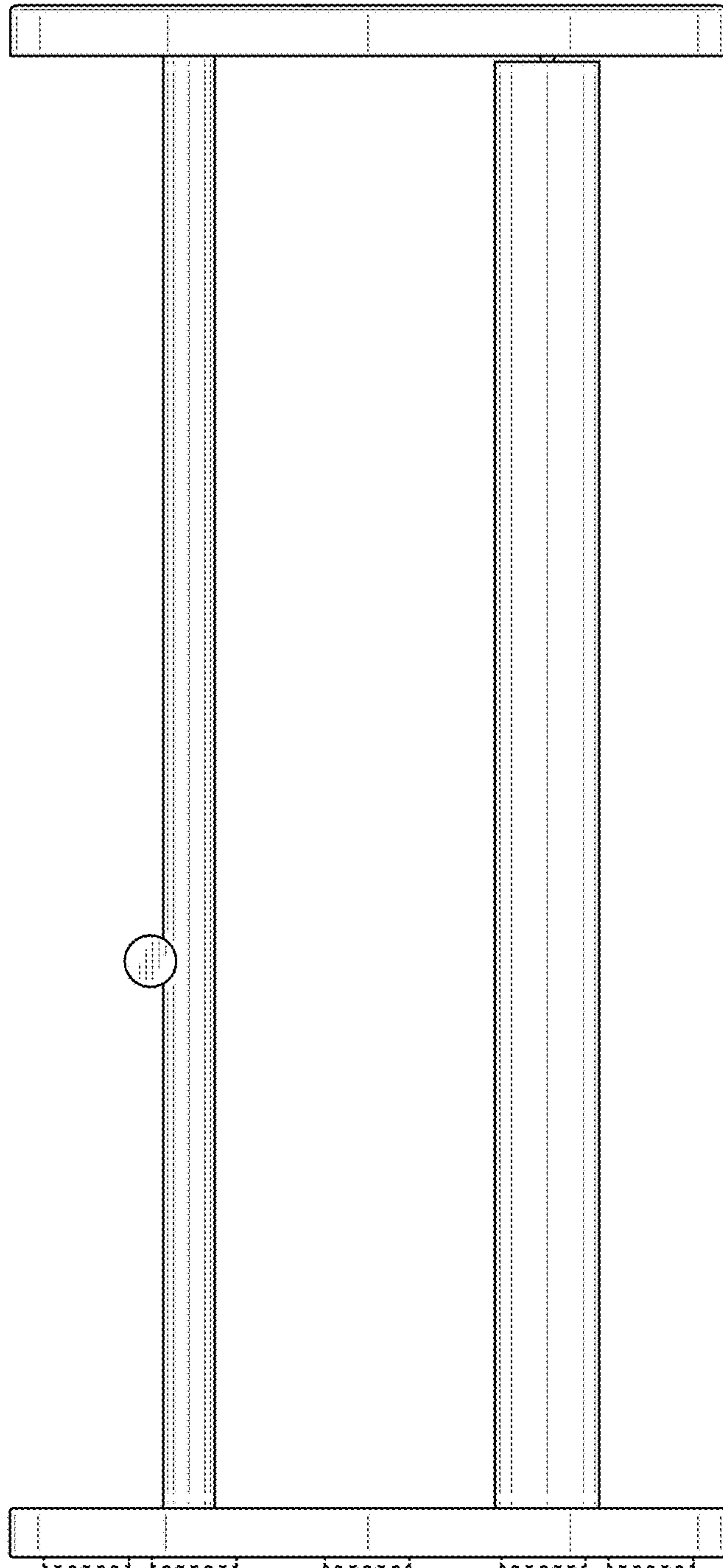


FIG. 10

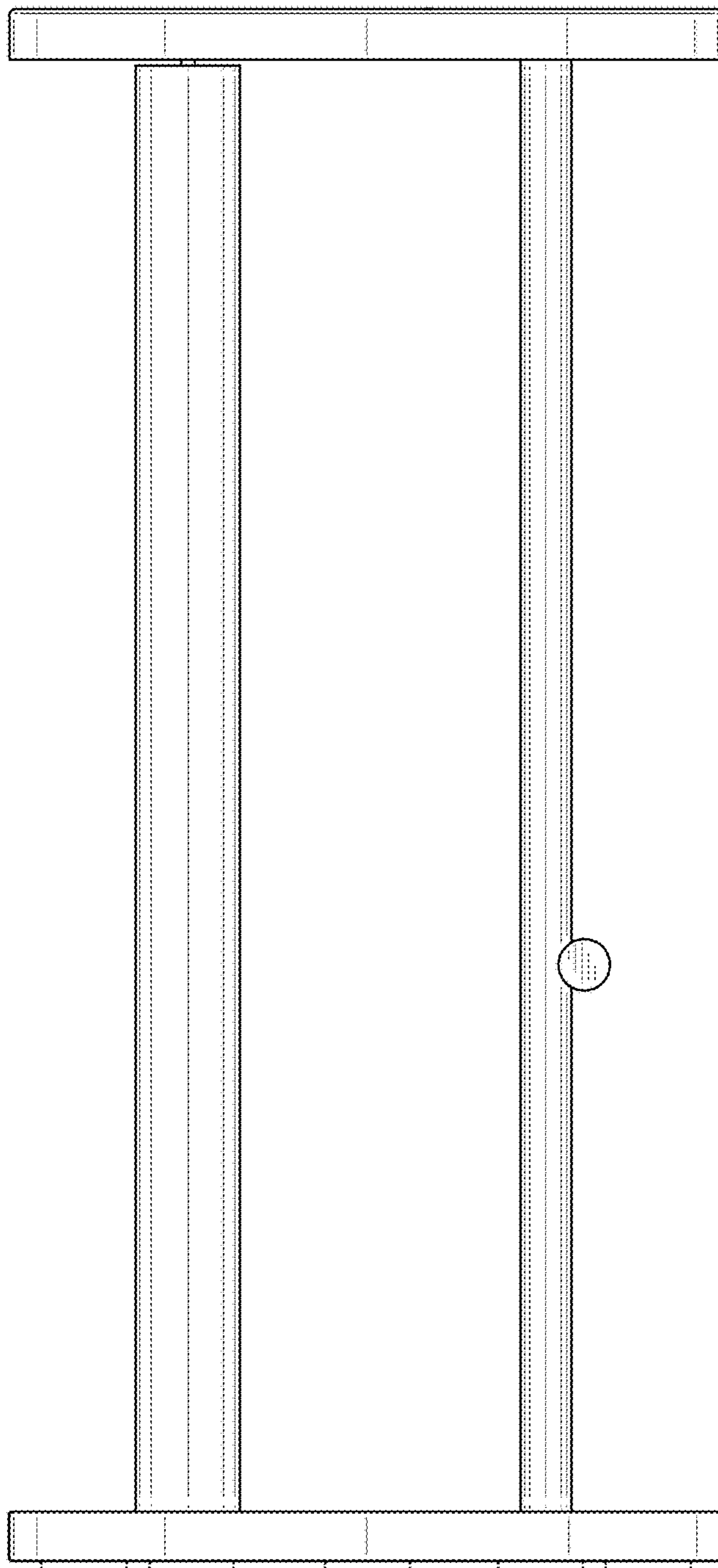


FIG. 11

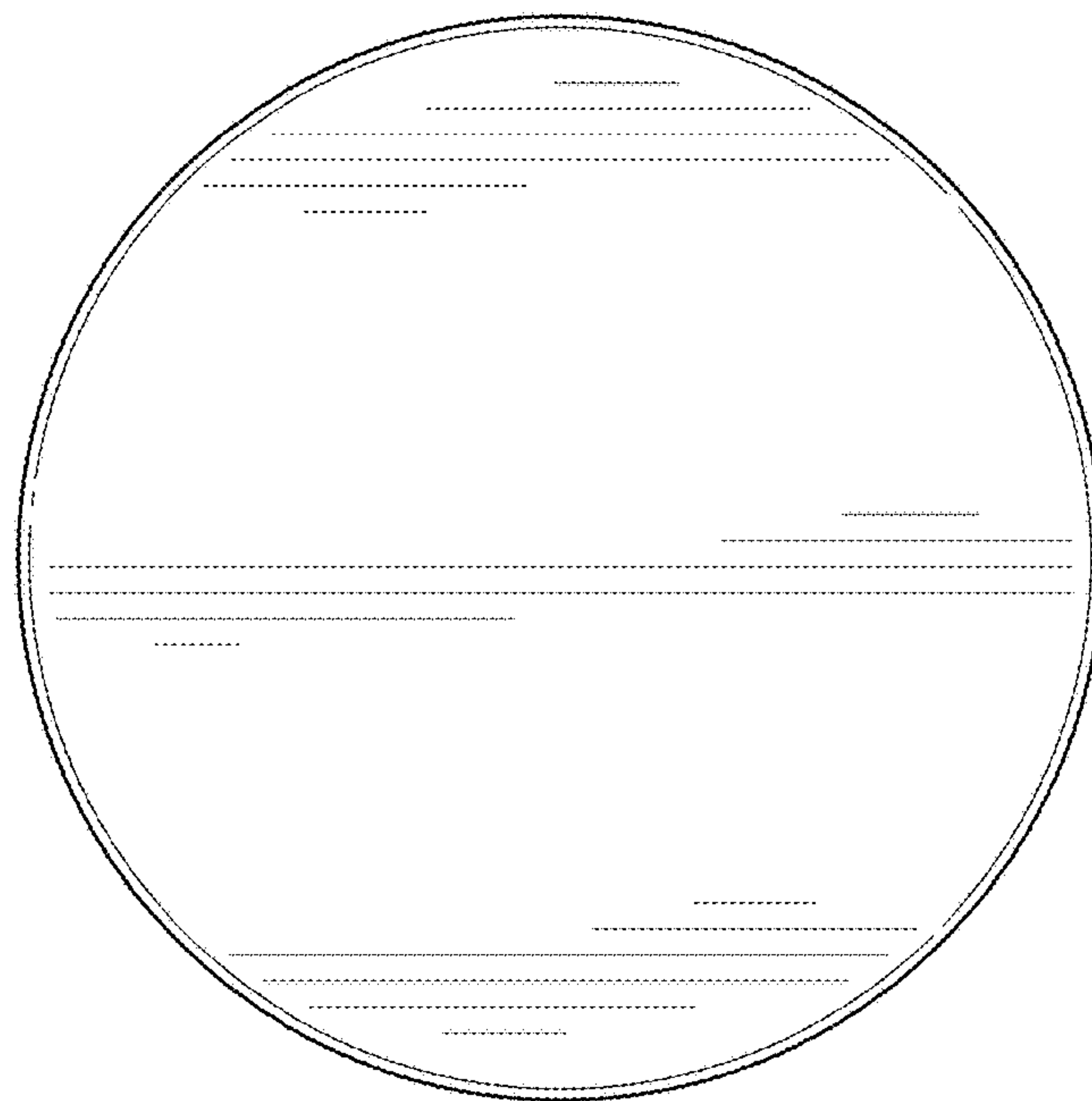


FIG. 12