



US00D839009S

(12) **United States Design Patent**
Garbus et al.

(10) **Patent No.:** **US D839,009 S**
(45) **Date of Patent:** **** Jan. 29, 2019**

(54) **STOOL**

(71) Applicant: **c/o Healthy Living Management, LLC**, Garden City, NY (US)

(72) Inventors: **Jules Garbus**, Manhasset, NY (US);
Jason Hembrey, Manhasset, NY (US);
David Block, Brooklyn, NY (US)

(73) Assignee: **HEALTHY LIVING MANAGEMENT, LLC**, Garden City, NJ (US)

(**) Term: **15 Years**

(21) Appl. No.: **29/608,807**

(22) Filed: **Jun. 26, 2017**

(51) **LOC (11) Cl.** **06-01**

(52) **U.S. Cl.**

USPC **D6/349**

(58) **Field of Classification Search**

USPC D6/334-338, 340-343, 349-353, 355,
D6/358, 360, 364-365, 367, 371-373,
D6/381, 596, 597, 601, 604, 691-691.9,
D6/692-692.6, 708.2, 708, 716-716.1;
D25/65

CPC A47C 11/00; A47C 12/00; A47C 3/18;
A47C 9/002; A47C 16/00; A47C
16/02-16/04; A47K 17/02; A47K 17/028

See application file for complete search history.

(56) **References Cited**

U.S. PATENT DOCUMENTS

D274,676 S 7/1984 Massonnet
D276,861 S 12/1984 Keddie
4,753,320 A * 6/1988 Walter A47C 12/02
182/33

D330,234 S 10/1992 Saunders et al.
5,213,554 A 5/1993 Goldstein et al.
D337,211 S * 7/1993 Bergkvist D6/349
D337,362 S 7/1993 Goldstein et al.

(Continued)

FOREIGN PATENT DOCUMENTS

GB 2538716 A 11/2016

OTHER PUBLICATIONS

Kidsfu Shop for Kids Furniture online. [online] Published on May 7, 2016. Retrieved Apr. 5, 2018 from URL: <http://kidsfu.com/step-stools/cand-baby-stool-and-step-stool-non-slip-caps-blue/>.*

(Continued)

Primary Examiner — Vy N Koenig

(74) *Attorney, Agent, or Firm* — Myers Wolin, LLC

(57) **CLAIM**

The ornamental design for a stool, as shown and described.

DESCRIPTION

FIG. 1 is a first perspective view of one embodiment of a stool showing our new design;

FIG. 2 is a second perspective view thereof;

FIG. 3 is a front elevation view thereof, the rear elevation view being a mirror-image thereof;

FIG. 4 is a right side elevation view thereof, the left side elevation view being a mirror-image thereof;

FIG. 5 is a top view thereof;

FIG. 6 is a bottom view thereof;

FIG. 7 is a first perspective view of a second embodiment of a stool showing our new design;

FIG. 8 is a second perspective view thereof;

FIG. 9 is a front elevation view thereof, the rear elevation view being a mirror-image thereof;

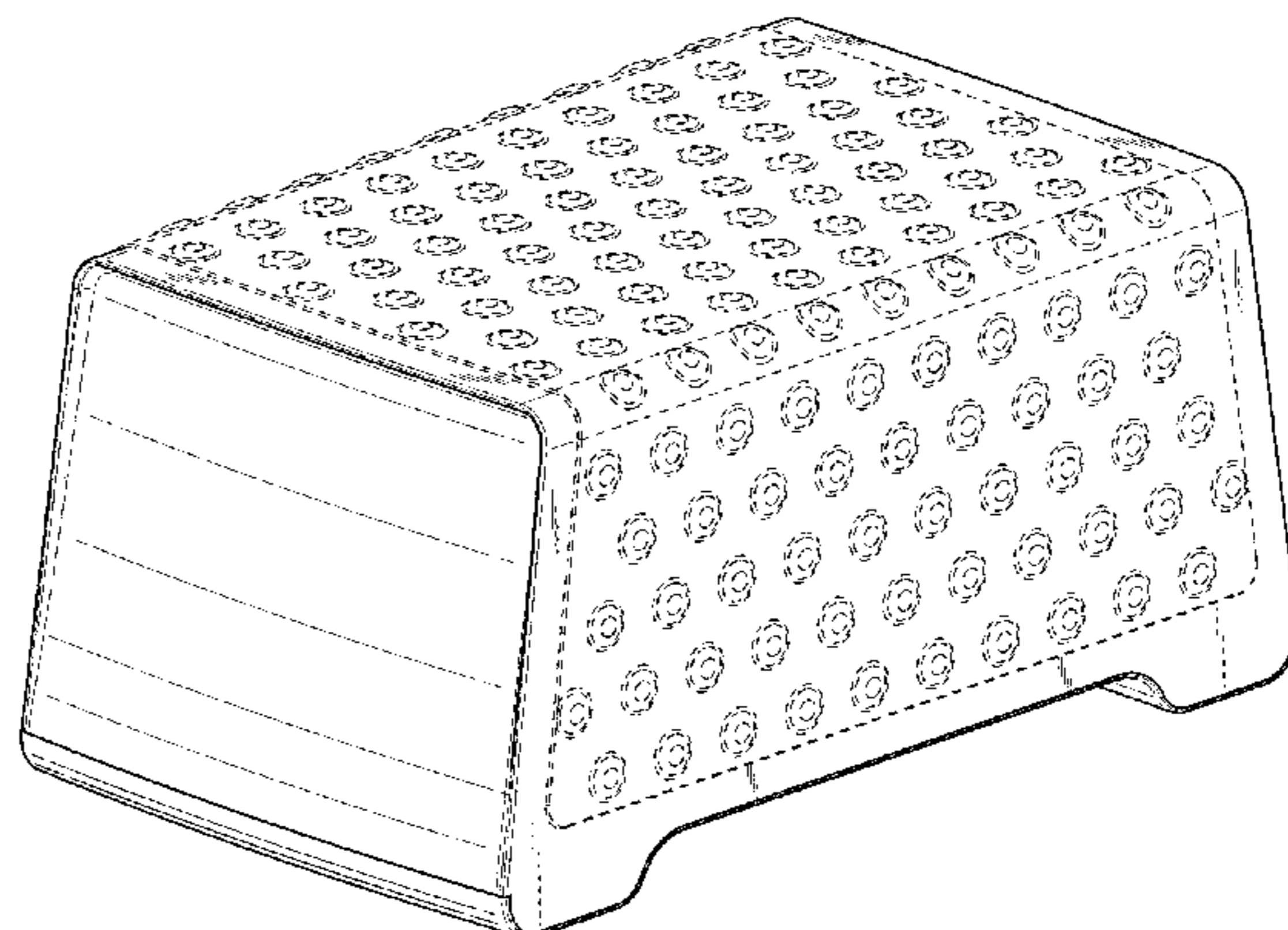
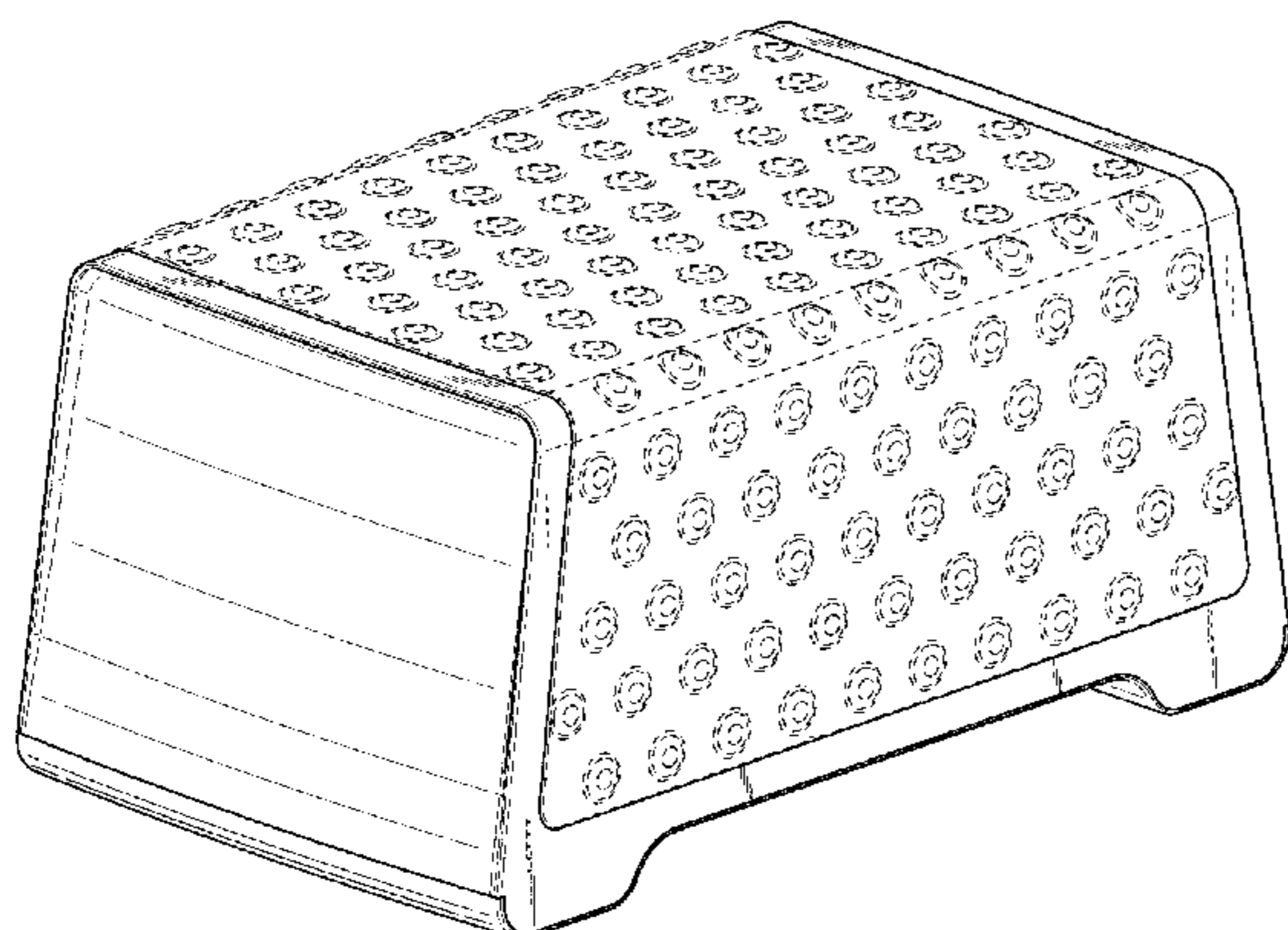
FIG. 10 is a right side elevation view thereof, the left side elevation view being a mirror-image thereof;

FIG. 11 is a top view thereof; and,

FIG. 12 is a bottom view thereof.

The broken lines shown in the drawings depict portions of the stool that form no part of the claimed design.

1 Claim, 12 Drawing Sheets



(56)

References Cited

U.S. PATENT DOCUMENTS

D339,179 S 9/1993 Wilkinson
 D343,960 S 2/1994 Leduc
 D347,666 S * 6/1994 Hand D21/671
 D349,540 S * 8/1994 Hand D21/671
 D353,636 S 12/1994 Le Roux
 D355,458 S 2/1995 Chen
 D360,767 S 8/1995 Fish et al.
 D367,967 S 3/1996 Calmeise et al.
 D376,909 S 12/1996 Dickinson et al.
 5,641,034 A 6/1997 Calmeise et al.
 D382,113 S 8/1997 DuRapau
 D501,683 S 2/2005 Hernandez et al.
 D519,172 S 4/2006 Penat et al.
 D553,370 S * 10/2007 Meyers D6/350
 D557,910 S 12/2007 Saunders et al.
 D558,473 S 1/2008 Mendenhall
 D558,991 S 1/2008 Várdy
 D561,482 S 2/2008 Rogers
 D566,408 S * 4/2008 Gonzalez D6/350
 D579,680 S 11/2008 Emert
 D600,928 S 9/2009 Rake
 D600,929 S * 9/2009 Kemnitzer D6/353
 D609,927 S 2/2010 Floer
 D630,864 S 1/2011 Perelman
 D680,599 S 4/2013 Orenstein et al.
 D681,750 S 5/2013 Meyer-Hayoz
 D690,522 S 10/2013 Pontiff
 D695,032 S 12/2013 Buitendag
 D705,554 S 5/2014 Edwards
 D716,919 S * 11/2014 Yeung D23/296
 D727,044 S 4/2015 Tu
 D736,867 S 8/2015 Glickfield
 D739,481 S 9/2015 Glickfield
 9,192,813 B2 11/2015 Ross
 D755,910 S 5/2016 Randazzo
 D805,324 S * 12/2017 Stokes D6/601
 D813,961 S * 3/2018 Ness D21/686
 2004/0032152 A1 * 2/2004 Tally A47C 12/00
 297/118
 2008/0093167 A1 * 4/2008 Saunders A47C 12/00
 182/33
 2013/0192925 A1 * 8/2013 Chitayat A47C 12/00
 182/152

OTHER PUBLICATIONS

Disney Mickey Mouse All Star Step Stool, Blue Baby. [online] Published on Sep. 7, 2014. Retrieved Apr. 5, 2018 from URL: https://www.amazon.com/dp/B00LJ89KU8/ref=cm_sw_r_pi_dp_9aA.ub12DF0TV?th=1.
 Astrolift, “H370MM Square Step Stool”, pp. 1-3, Astrolift, retrieved from <http://www.astrolift.co.nz/browse-by-brand/ergox/step-up-safety-step> website on Mar. 13, 2017.

Walmart, “Dreambaby Anti-Slip Step Stool”, pp. 1-2, Dreambaby, retrieved from <https://www.walmart.com/ip/DreambabyAntiSlipStepStoolGray/47509896#aboutitem> website on Mar. 13, 2017.
 Enovoe, “Baby Step Stool”, pp. 1-4, Enovoe, retrieved from <https://www.enovoe.com/products/babystepstool> website on Mar. 13, 2017.
 Anne Philippi, “Tips & Tricks—HiCAD”, pp. 1-3, published on Feb. 16, 2017, retrieved from <https://wiki.isdgroup.com/pages/viewpage.action?pageId=19464898> website on Mar. 13, 2017.
 Ikea, “Bolmen Step Stool”, pp. 1-3, retrieved from <http://www.ikea.com/us/en/catalog/products/60265163/> website on Mar. 13, 2017.
 Yooycart, “Ikea Bath Stool—shower bench for the elderly—bathroom antislip stool”, pp. 1-2, retrieved from <http://www.yooycart.com/Product/534960568419/> website on Mar. 13, 2017.
 Etsy, “Kids Step Stool—Child’s Step Stool—Red—Solid Wood—Children’s Bathroom Accessory—Non Toxic Paint—Kitchen Stool for Kids”, pp. 1-3, retrieved from <https://www.etsy.com/listing/123957157kidsstepstoolchildsstepstoolred> website on Mar. 13, 2017.
 Mansion Athletics, “30 Inch Adustable Power-Plyo Box”, pp. 1-3, retrieved from <http://www.mansionathletics.com/30inchadjustablepowerplyobox20575trackandfieldfitnessgoalsagilityandquickness.html?channelid=Shareasale> website on Mar. 13, 2017.
 Miller Manufacturing Company, “DuraTote Stool and Tote Box”, pp. 1-2, retrieved from <http://www.miller-mfg.com/product/DTSSBLUE.html> website on Oct. 10, 2017.
 Amazon, “Reebok Professional Deck Workout Bench”, pp. 1-7, retrieved from <https://www.amazon.com/ReebokProfessionalDeckWorkoutBench/dp/B016EZIP4M> website on Mar. 13, 2017.
 Groupmedshop, “Safe-T-Stool—Anti-tip Step Stool”, pp. 1-2, retrieved from <http://www.groupmedshop.com/safetstoolthesafeststepstoolinamerica.html> website on Mar. 13, 2017.
 Rehabmart, “Shure-Step Square Safe-Step Stool”, pp. 1-10, retrieved on <http://www.rehabmart.com/product/shurestepsquaresafeststepstool37148.html> website on Mar. 13, 2017.
 Amazon, “The Step High Step Aerobic Platform”, pp. 1-7, retrieved from https://www.amazon.com/Step%C2%ADFC1180%C2%AD%C2%ADHigh%C2%ADStep%C2%AD%C2%ADGray/dp/B000BO8AAC/ref=as_li_ss_tl?ie=UTF8&linkCode=s11&tag=crosstrainingpro%C2%AD20&linkId=aa6b09f16%E2%80%A6 website on Mar. 13, 2017.
 Amazon, “Trademark Innovations High Step Work out Training Device”, pp. 1-7, retrieved from <https://www.amazon.com/TrademarkInnovationsHighTrainingDevice/dp/B00EJQPH1I> website on Mar. 13, 2017.
 Ebay, “Tundras Non-Slip Step Stool”, pp. 1-4, published on Jan. 3, 2017, retrieved from <http://www.ebay.com/itm/NewNonSlipStepStoolforBathroomKitchenChildrenToddlersKidsPortable/252568963483> website on Mar. 13, 2017.
 Uline, “Polyethylene Step Stool”, p. 1, retrieved from <https://www.uline.com/> on Mar. 13, 2017.

* cited by examiner

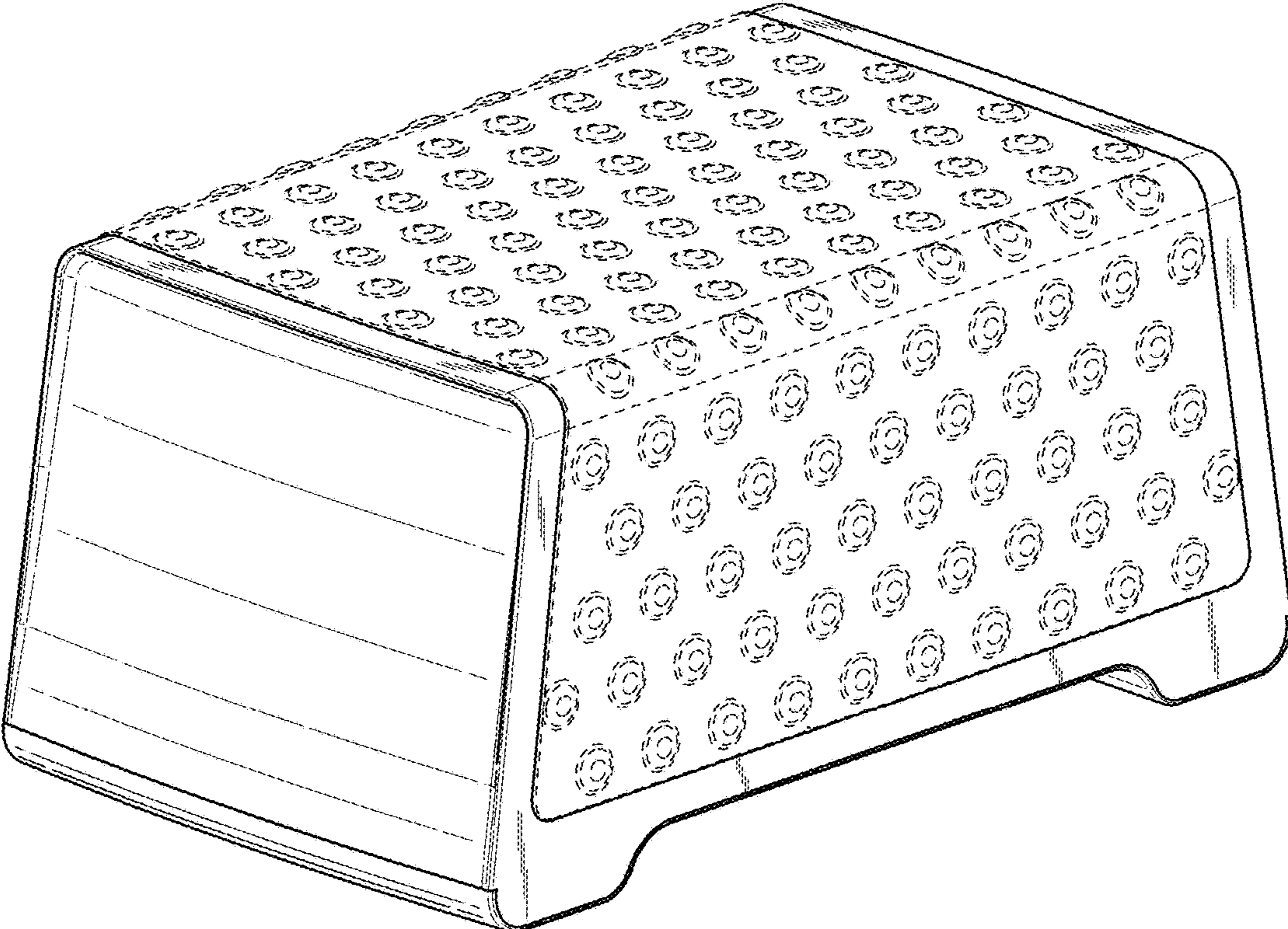


FIG. 1

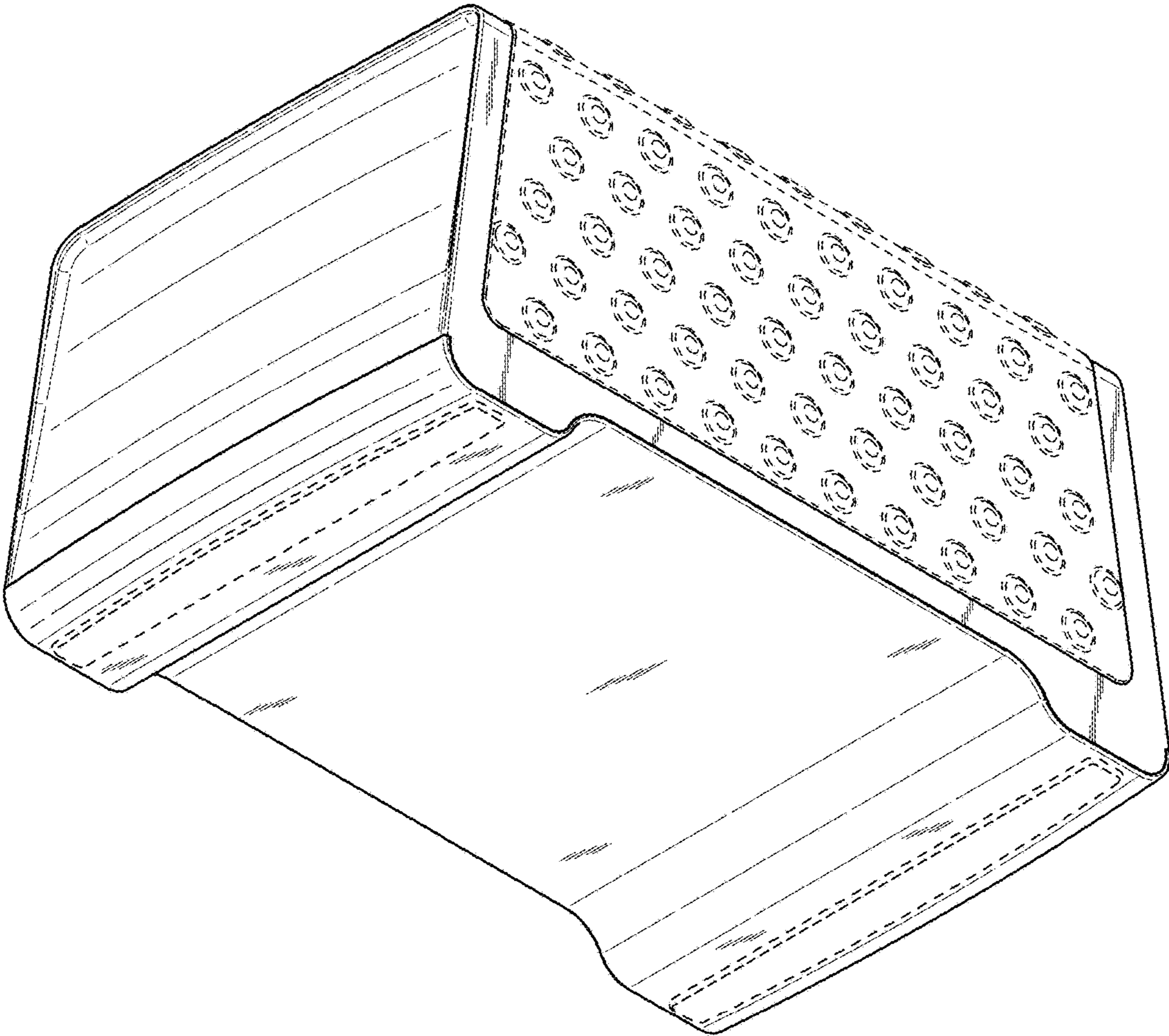


FIG. 2

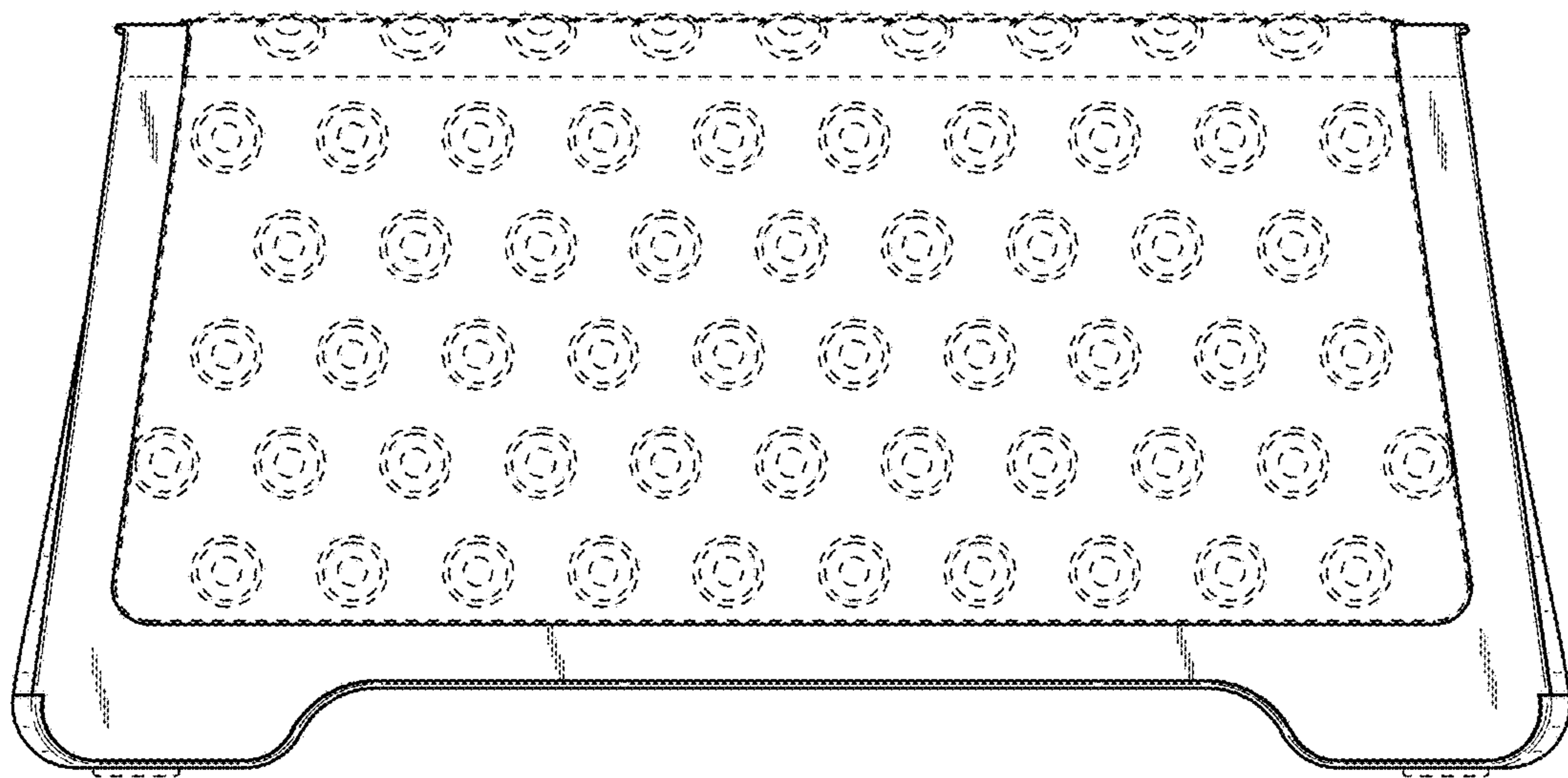


FIG. 3

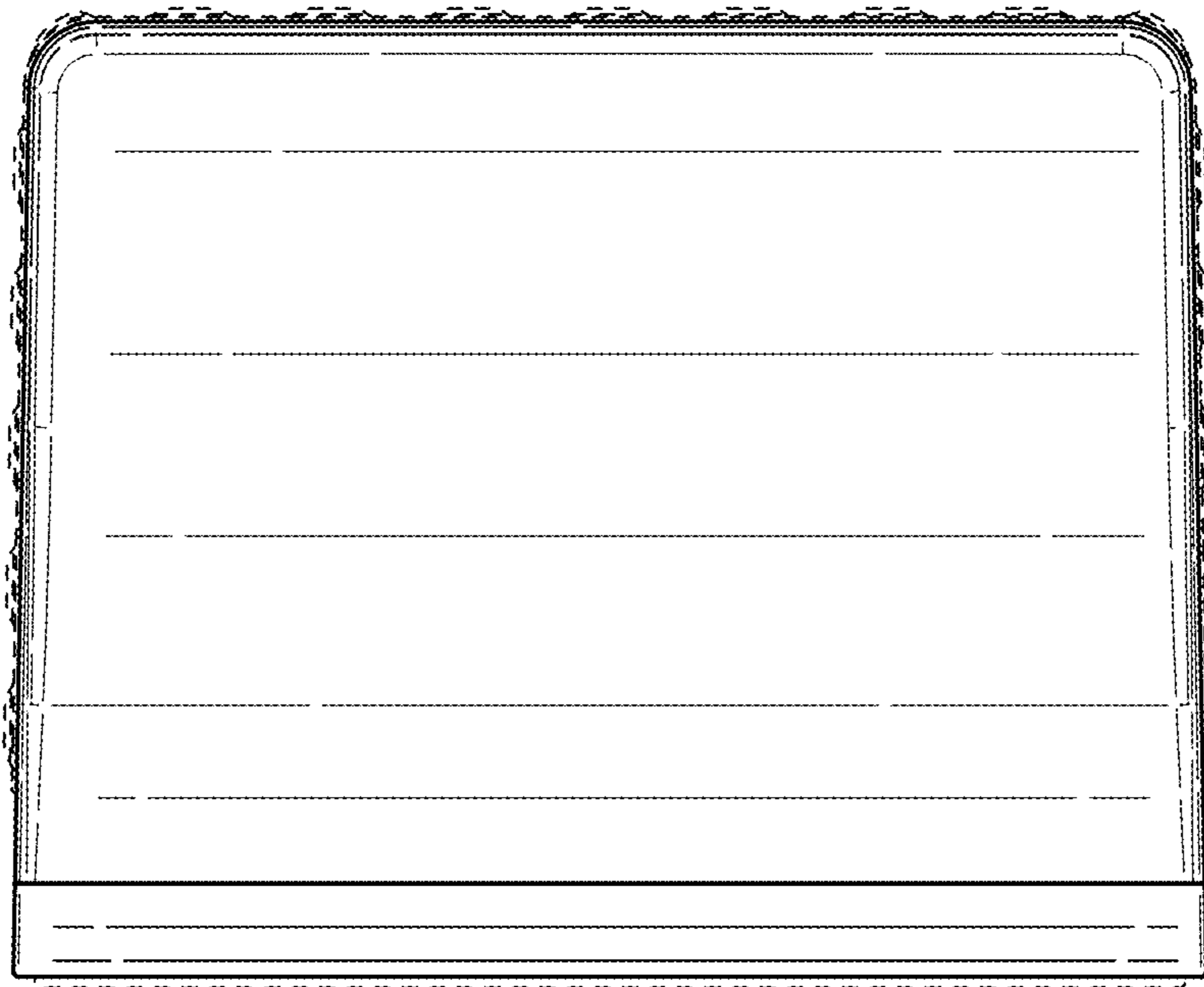


FIG. 4

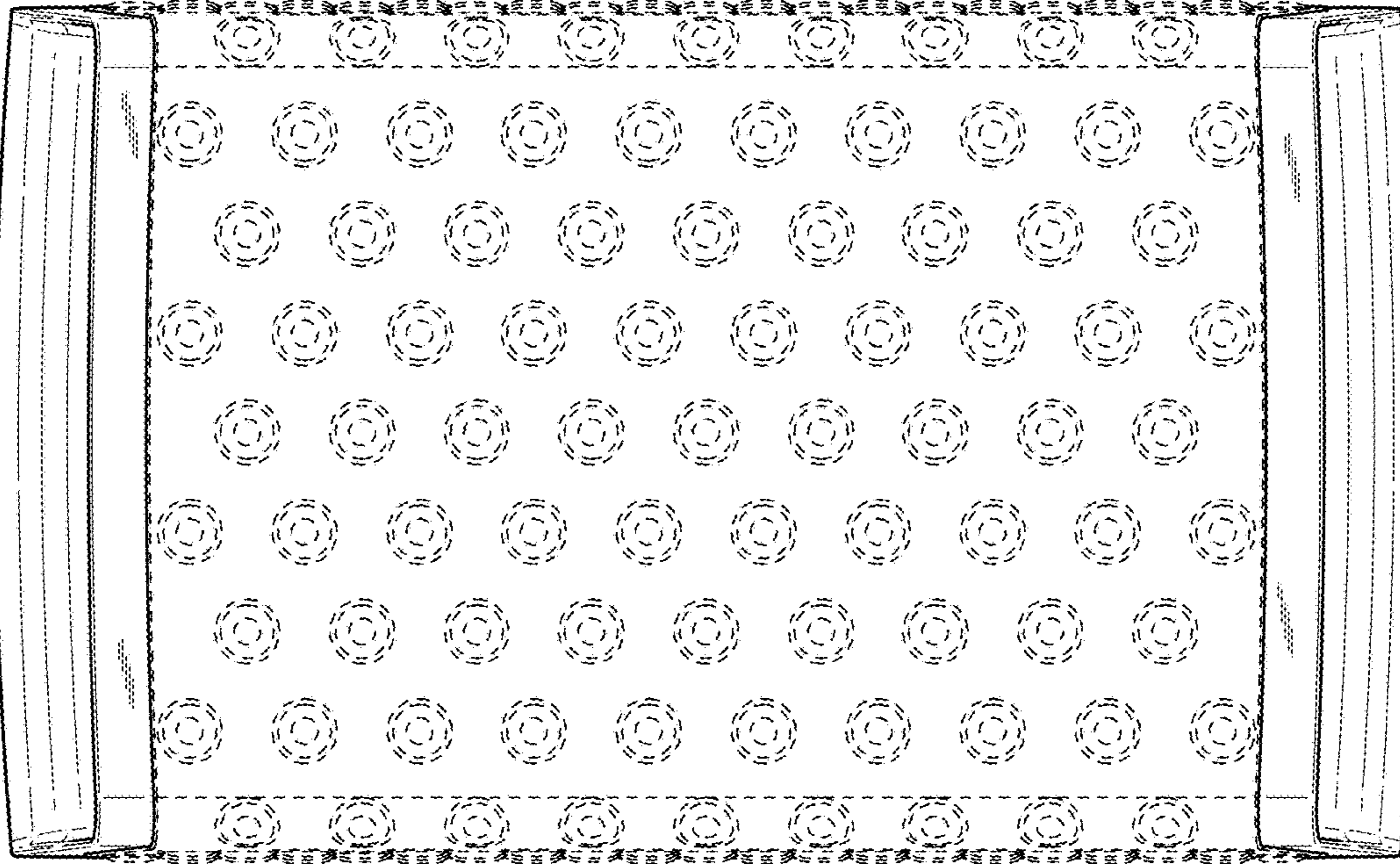


FIG. 5

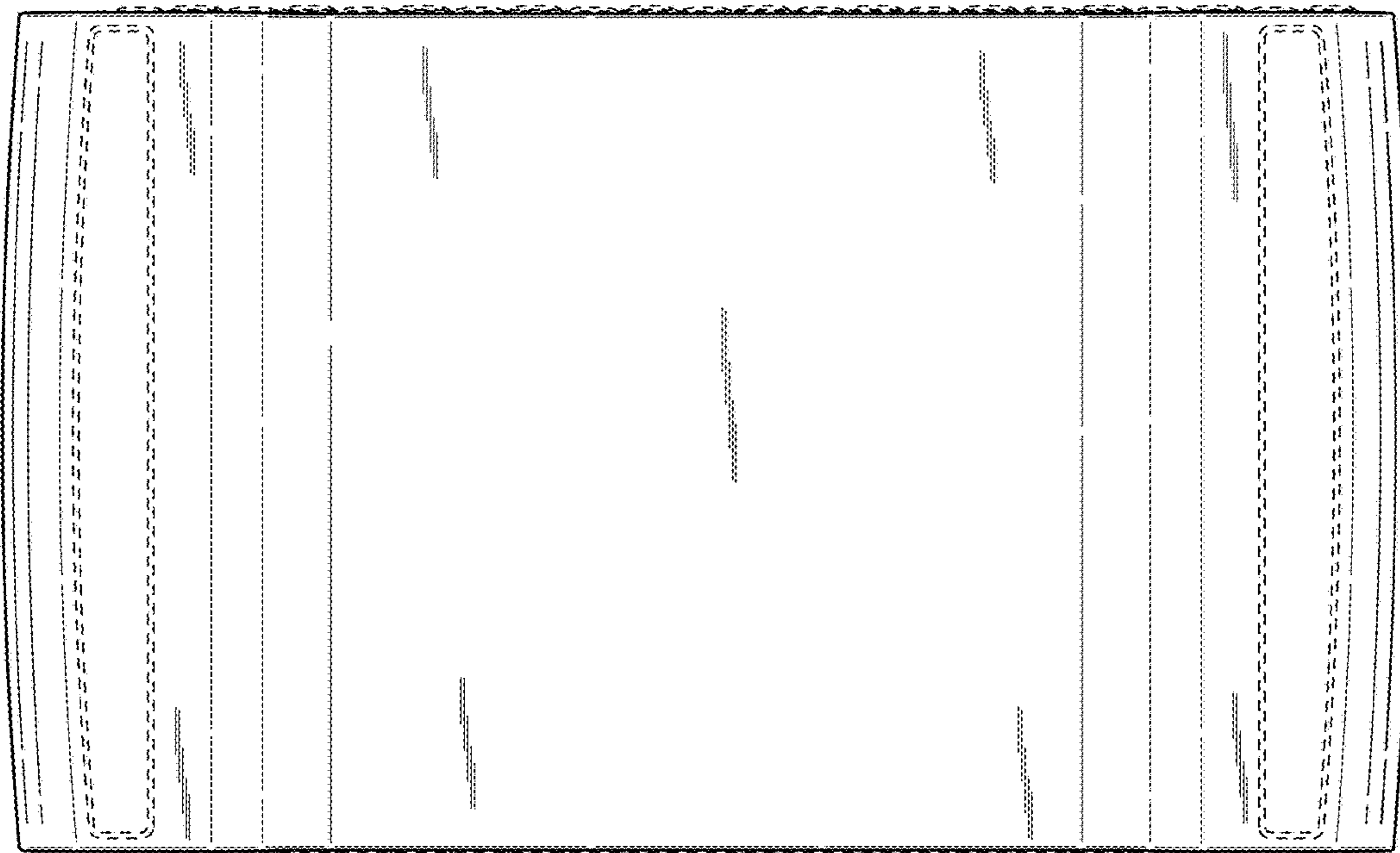


FIG. 6

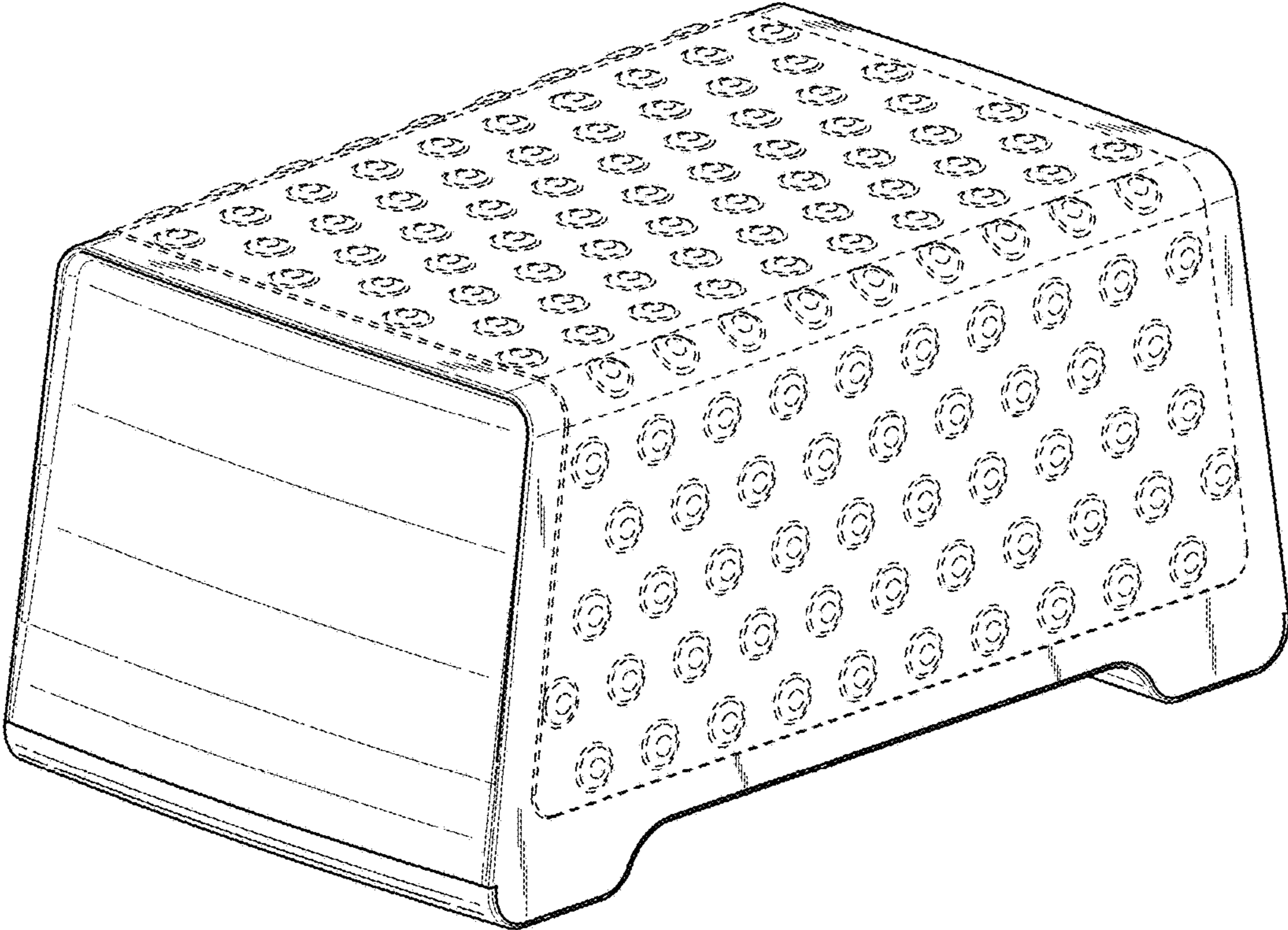


FIG. 7

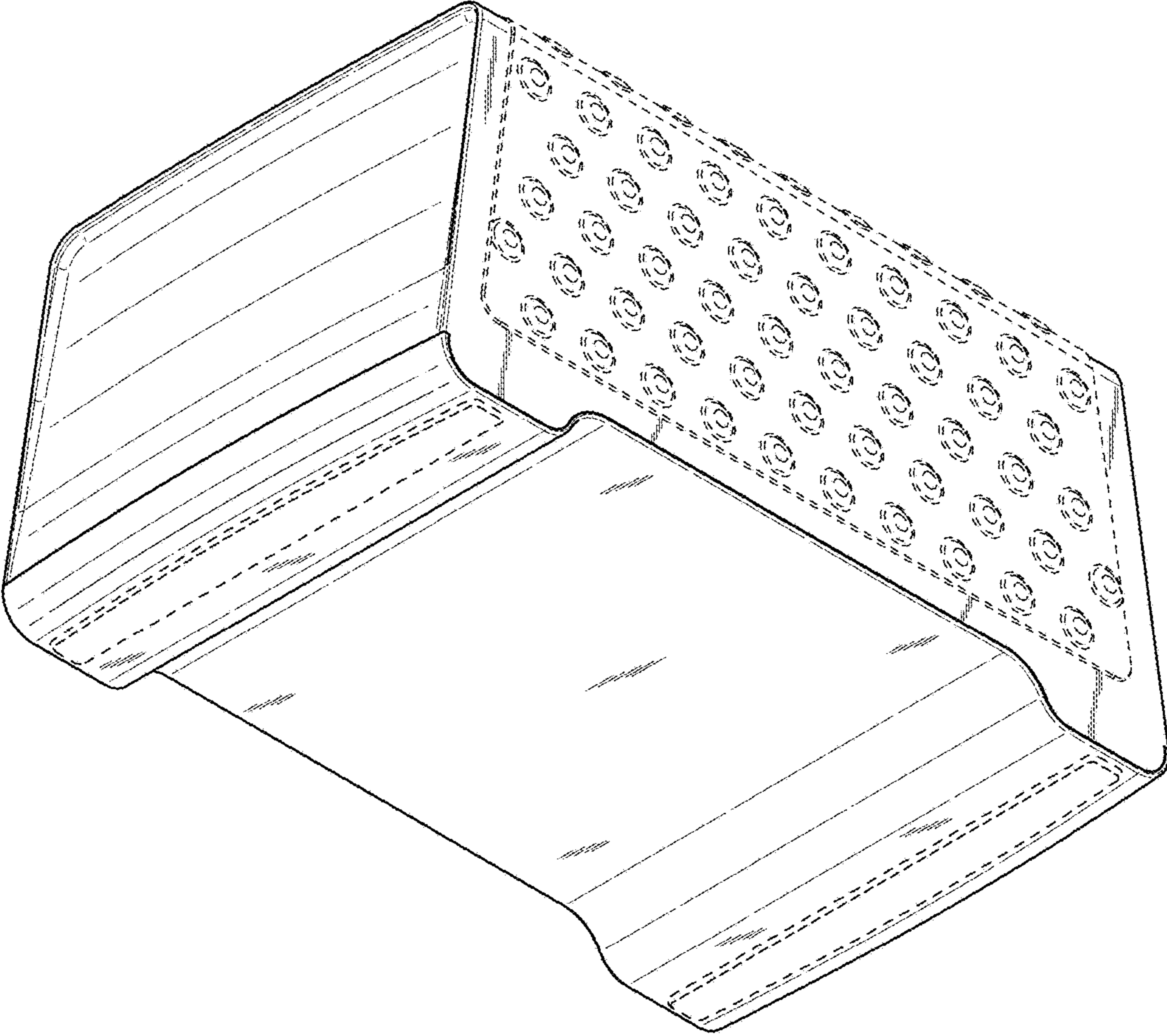


FIG. 8

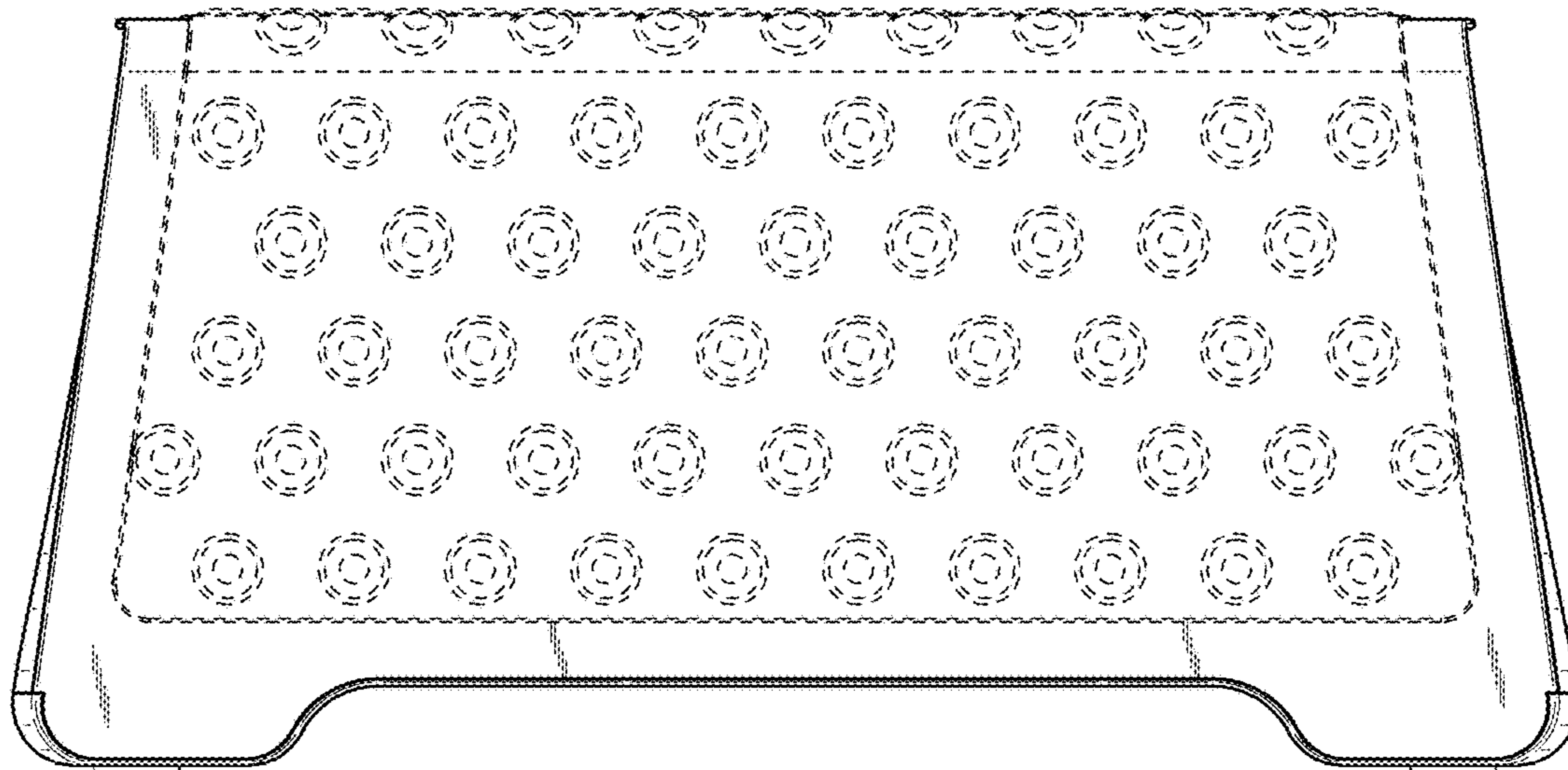


FIG. 9

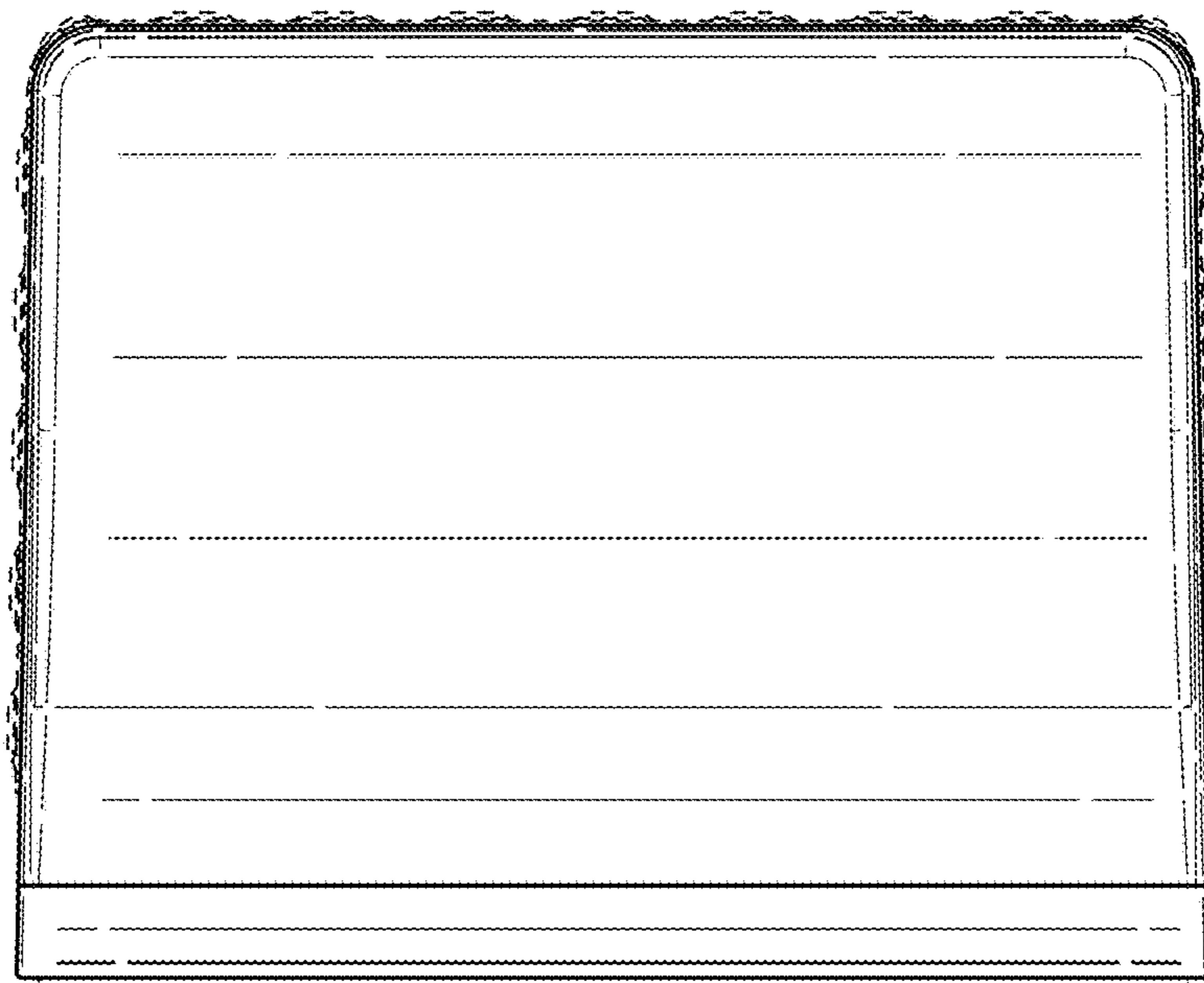


FIG. 10

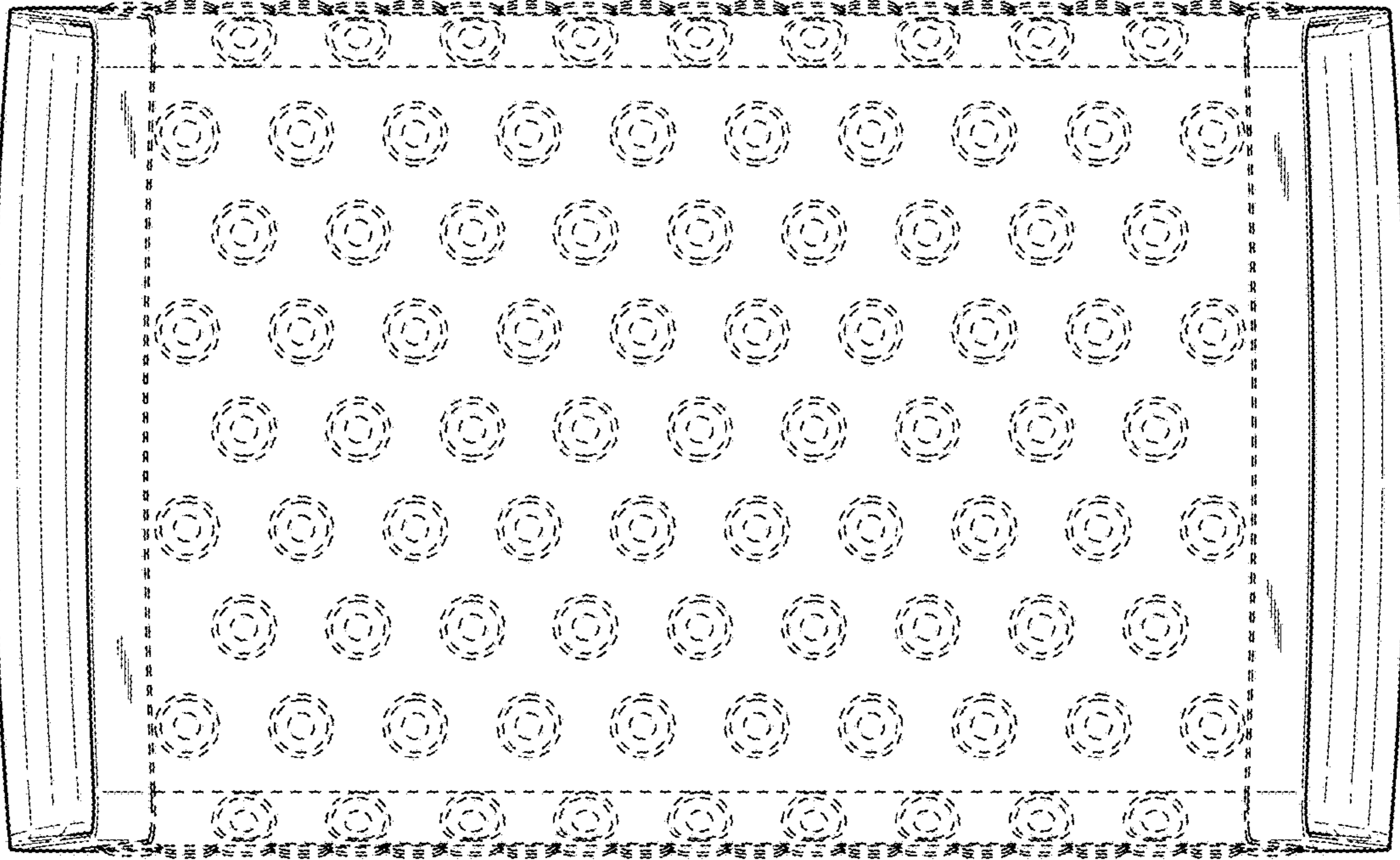


FIG. 11

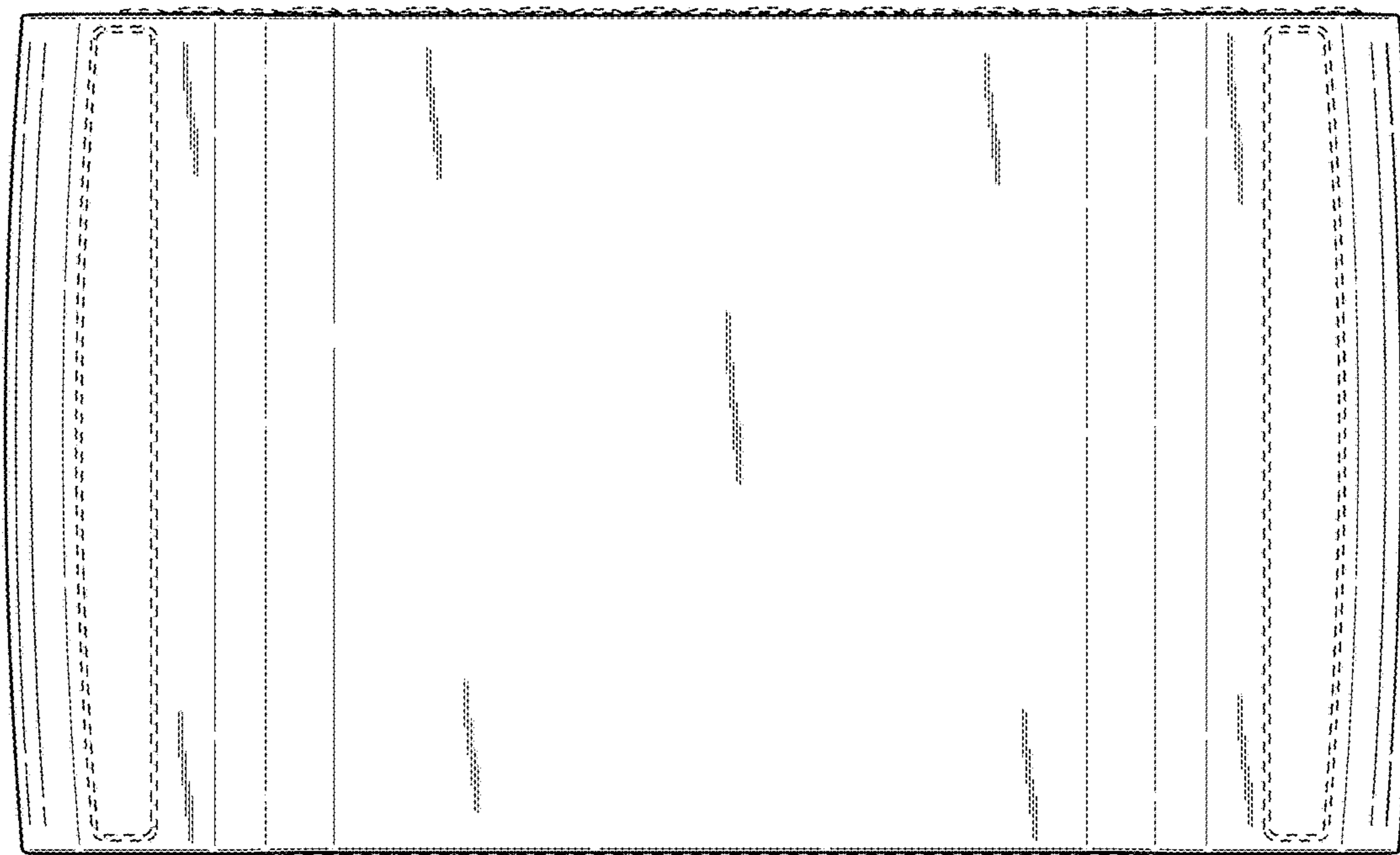


FIG. 12