



US00D839008S

(12) **United States Design Patent**
Pruden

(10) **Patent No.:** **US D839,008 S**
(45) **Date of Patent:** **** Jan. 29, 2019**

- (54) **INFANT POSITIONING SUPPORT**
- (71) Applicant: **Richard Pruden**, Portland, OR (US)
- (72) Inventor: **Richard Pruden**, Portland, OR (US)
- (**) Term: **15 Years**
- (21) Appl. No.: **29/626,848**
- (22) Filed: **Nov. 21, 2017**
- (51) **LOC (11) Cl.** **06-01**
- (52) **U.S. Cl.**
USPC **D6/333**
- (58) **Field of Classification Search**
USPC D6/333-336, 339-341, 344, 381, 491;
297/250.1, 255, 256.15, 183.1-183.4,
297/184.15, 184.17, 256.16, 16.1, 270.2,
297/452.13, 271.76, 258.1, 440.24;
D12/129-130, 133; D21/419, 412, 688;
280/30-31
CPC A47C 4/54; A47C 4/00; A47C 4/02; A47C
4/04; A47C 4/18; A47C 4/28; A47C
7/021; A47C 7/022; A47C 31/11; A47C
1/00; A47C 1/024; A47C 1/031; A47C
1/06; A47C 3/029; A47C 3/025; A47C
3/021
See application file for complete search history.

5,379,469 A	1/1995	Millis	
5,528,785 A	6/1996	Petrus	
5,898,812 A	4/1999	Vanoli	
5,937,461 A	8/1999	Dombrowski	
6,931,683 B1	8/2005	Elkin	
7,213,281 B2	5/2007	Hahn	
7,810,181 B2	10/2010	Brewin	
8,468,629 B2	6/2013	Beevers	
D704,469 S *	5/2014	Gaschy	D6/378
D738,120 S *	9/2015	Connelly	D6/333
D781,059 S *	3/2017	Christopherson	D6/333
D819,985 S *	6/2018	Clabaugh	D6/333
2008/0054696 A1 *	3/2008	McConnell	A47D 1/008 297/256.15

FOREIGN PATENT DOCUMENTS

WO 2013116676 a 8/2013

* cited by examiner

Primary Examiner — Abraham Bahta

(57) **CLAIM**

The ornamental design for an infant positioning support, as shown and described.

DESCRIPTION

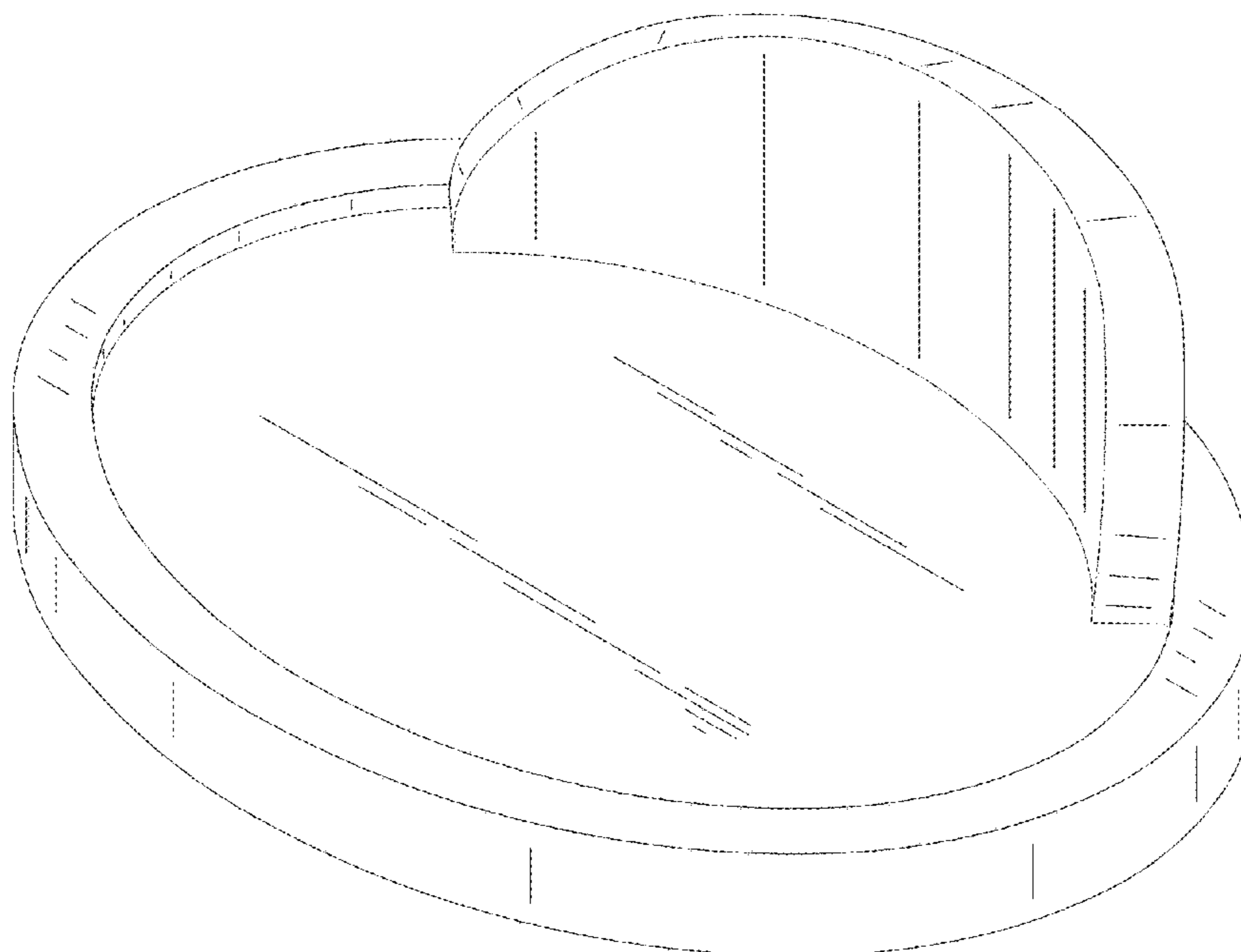
FIG. 1 is a front view of the infant positioning support showing my new design;
FIG. 2 is a back view thereof;
FIG. 3 is a side view thereof;
FIG. 4 is a top view thereof
FIG. 5 is a bottom view thereof; and,
FIG. 6 is a perspective view thereof.

1 Claim, 6 Drawing Sheets

(56) **References Cited**

U.S. PATENT DOCUMENTS

D232,137 S *	7/1974	Peltier	D12/128
5,216,772 A	6/1993	Clute	



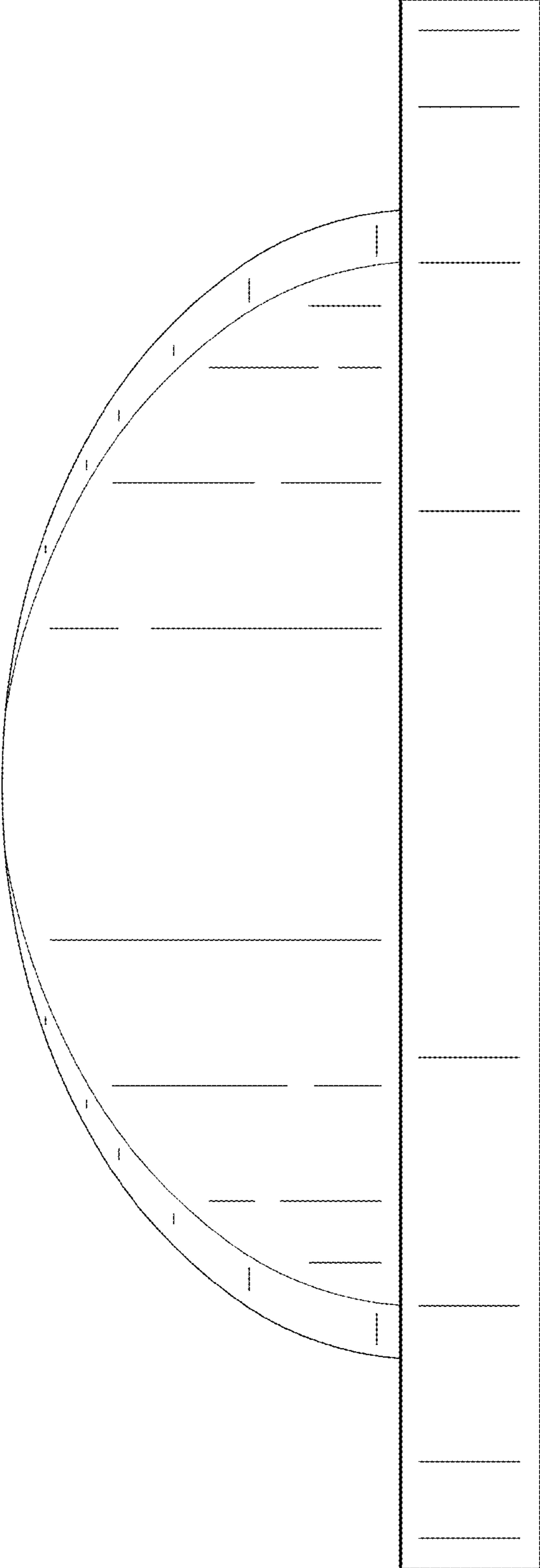


FIG. 1

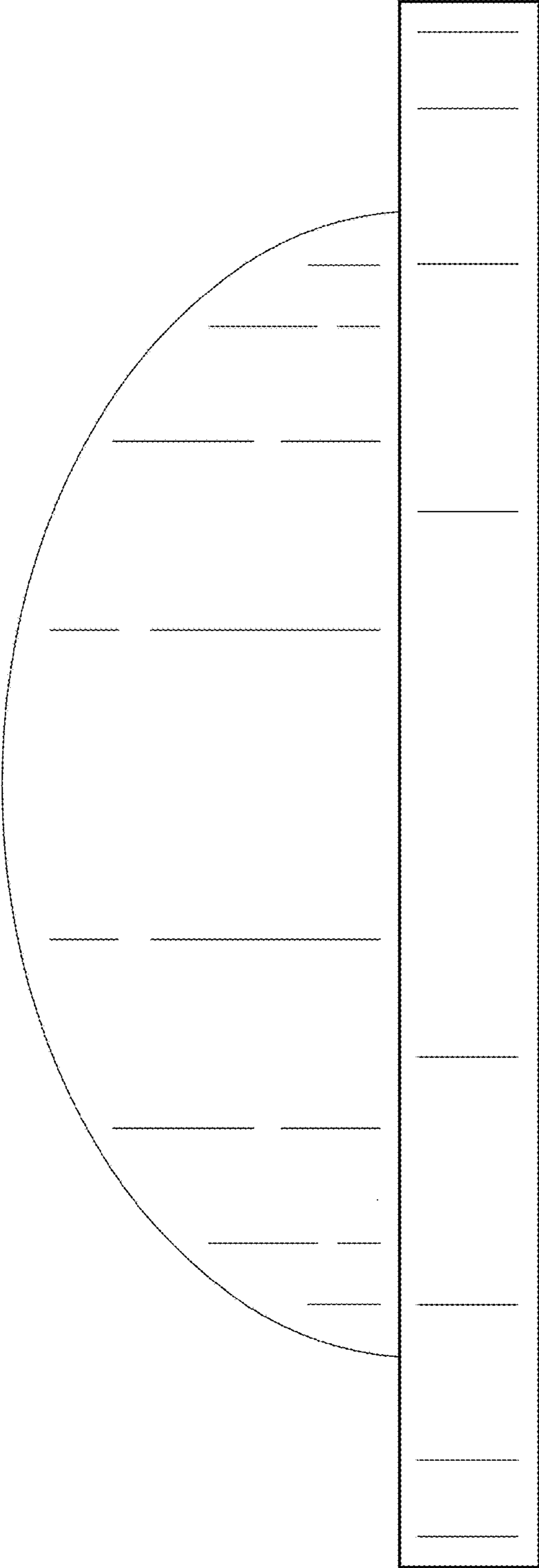


FIG. 2

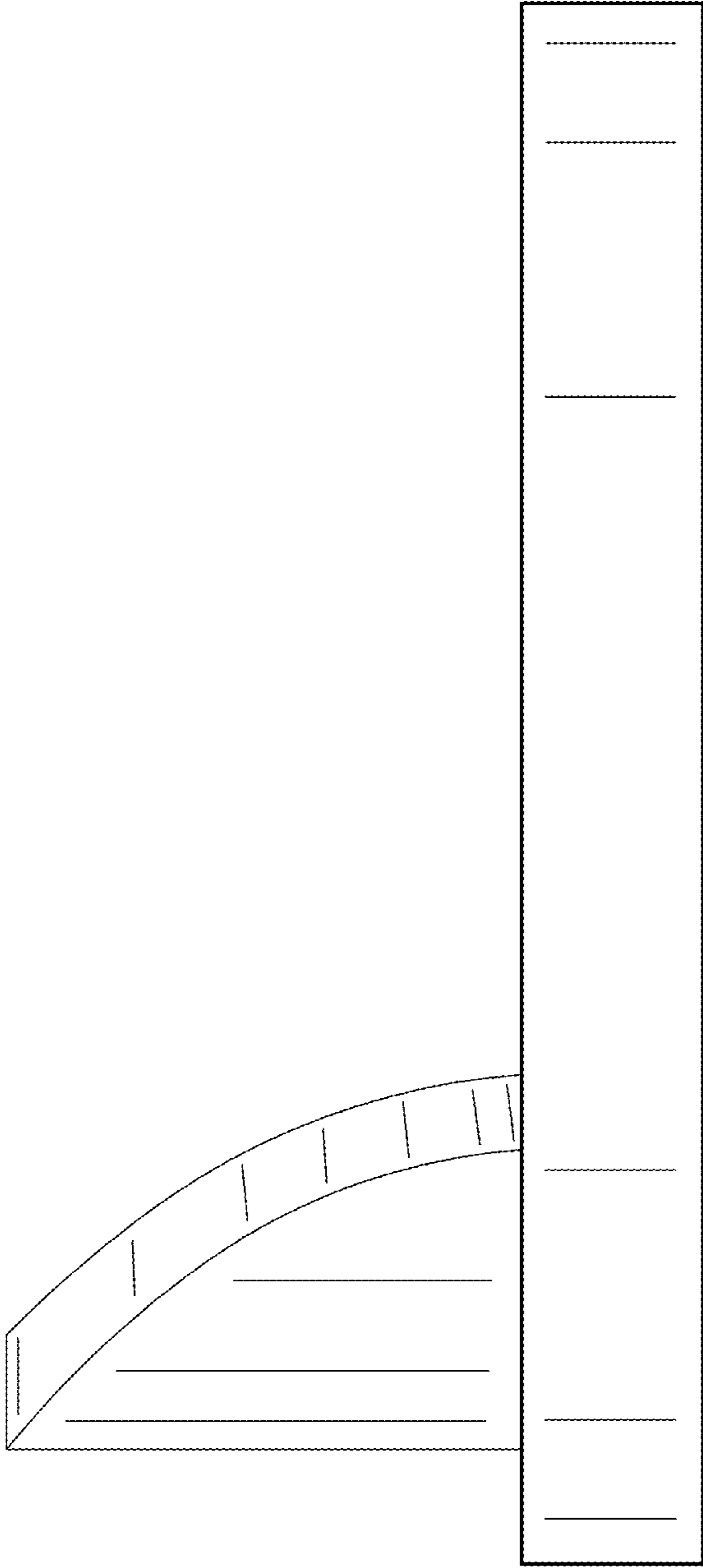


FIG. 3

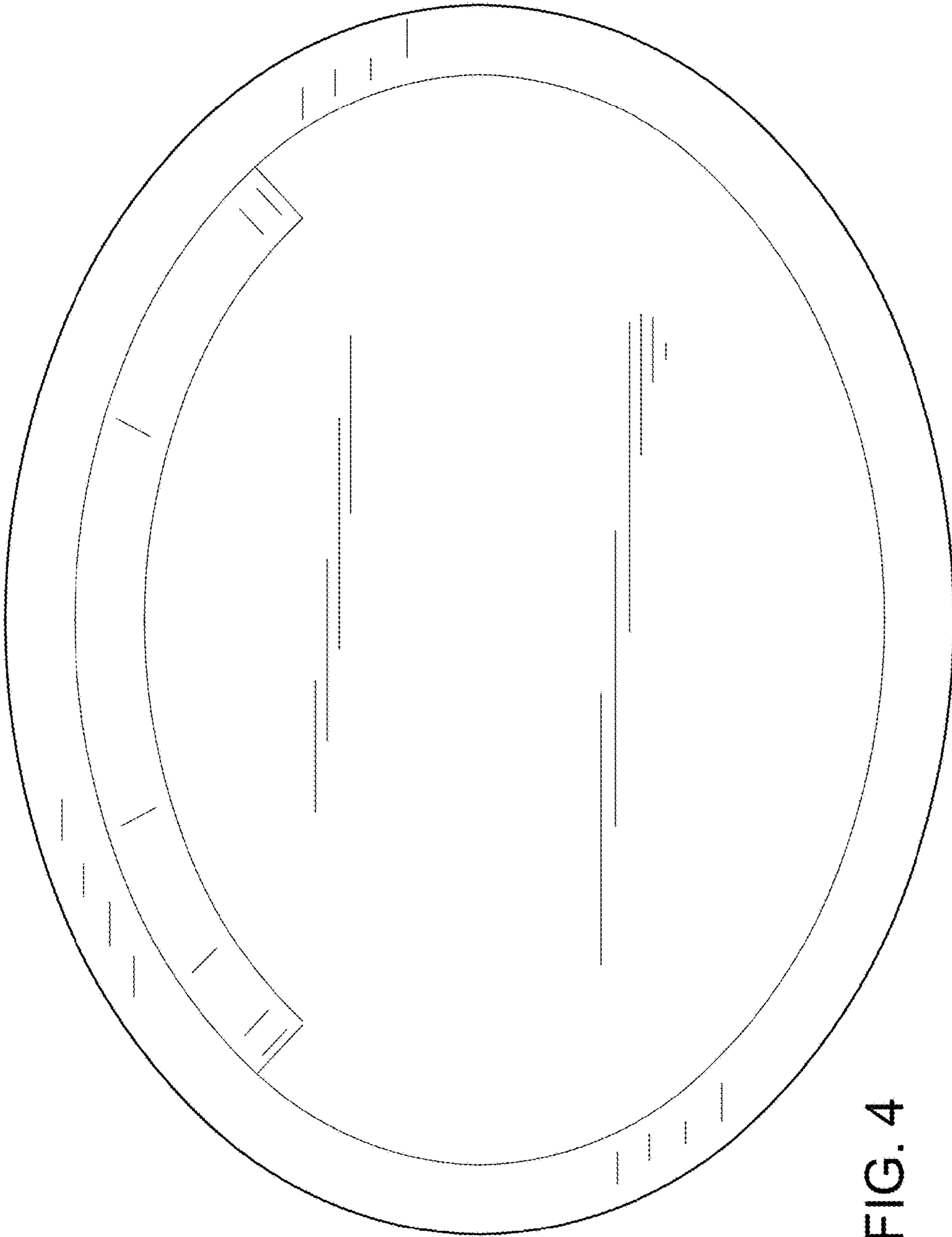


FIG. 4

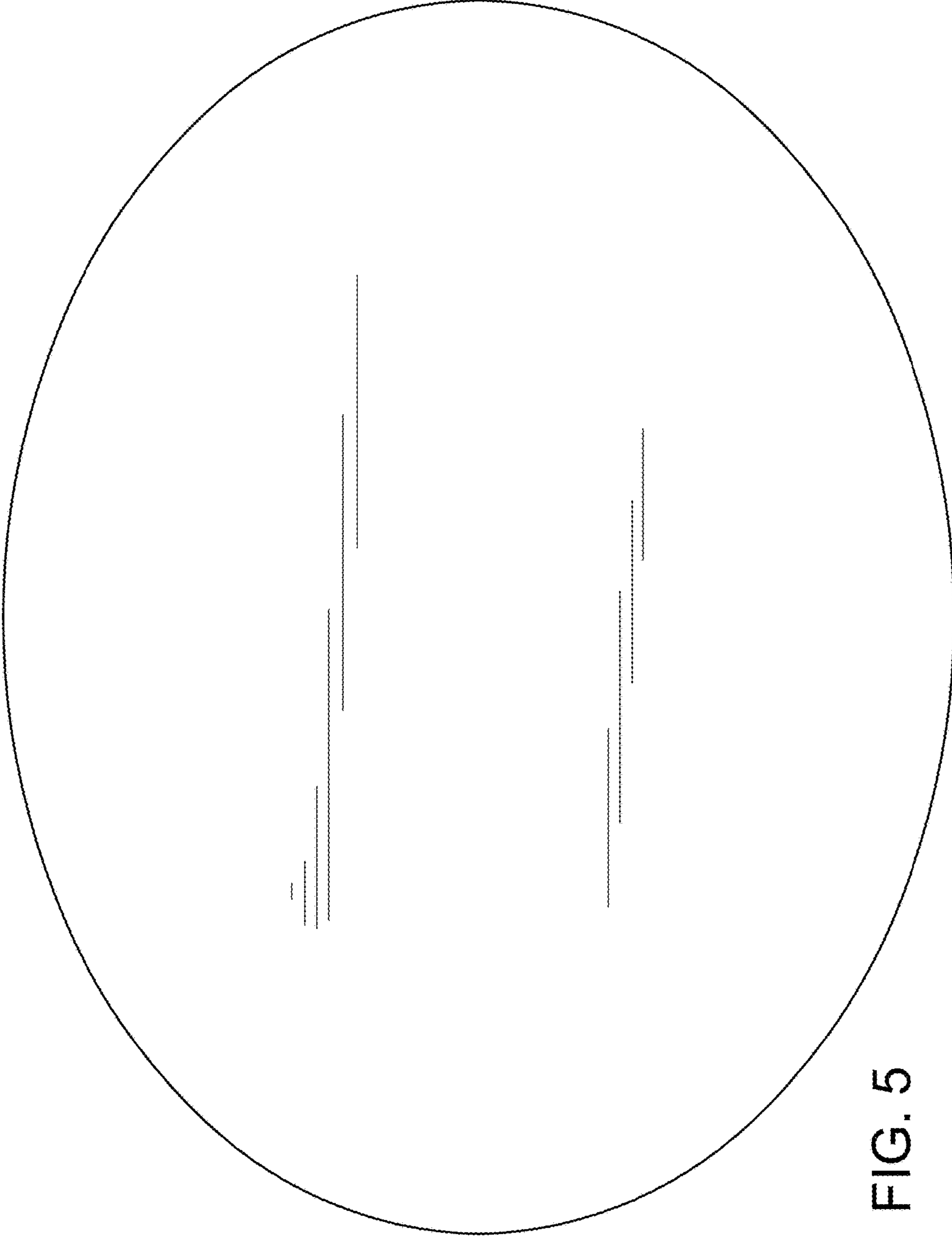


FIG. 5

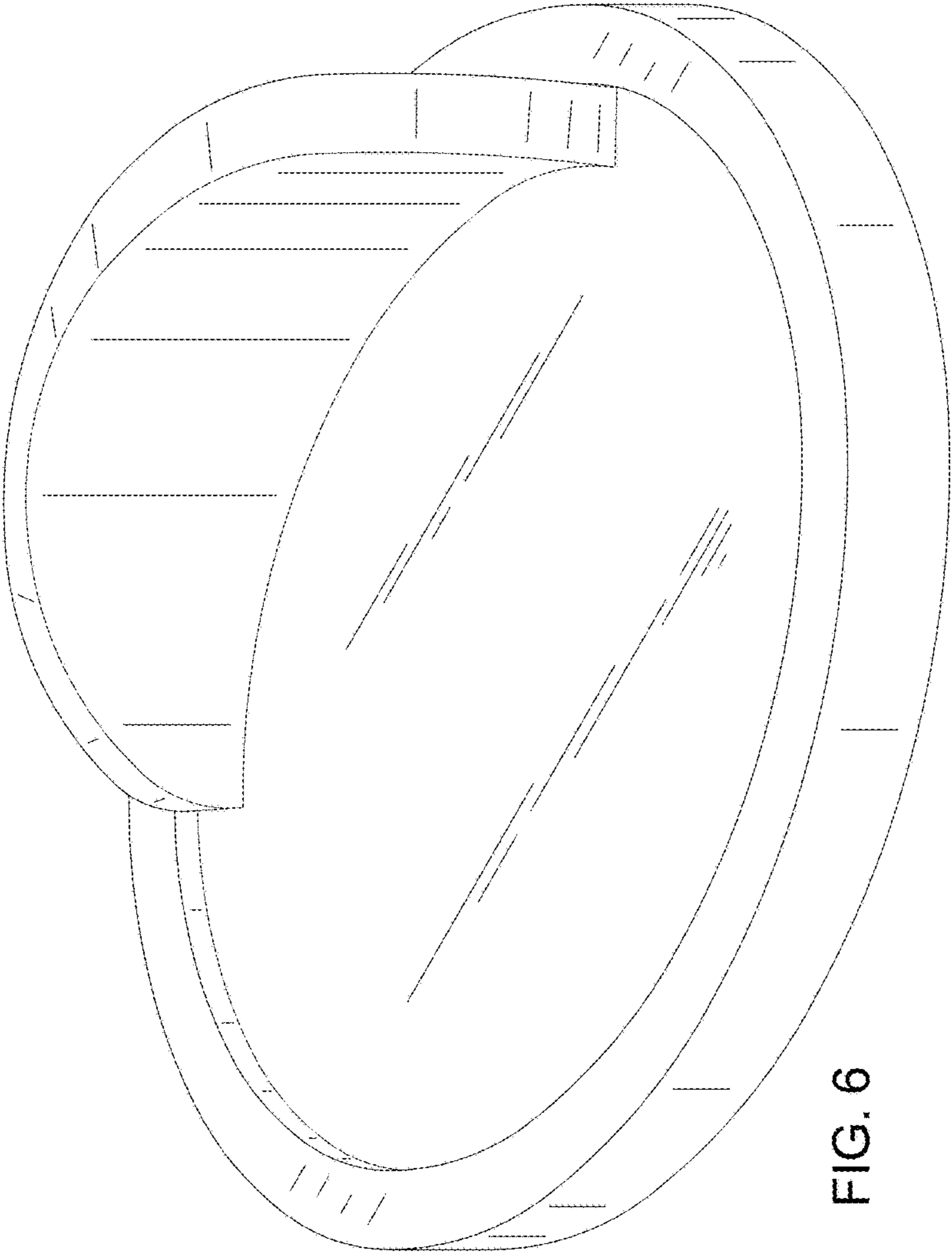


FIG. 6