



US00D838995S

(12) **United States Design Patent**
Laenner

(10) **Patent No.:** **US D838,995 S**

(45) **Date of Patent:** **** Jan. 29, 2019**

(54) **BRUSH**

(71) Applicant: **Vikan A/S**, Skive (DK)

(72) Inventor: **Thomas Laenner**, Skive (DK)

(73) Assignee: **Vikan A/S**, Skive (DK)

(**) Term: **15 Years**

(21) Appl. No.: **29/606,488**

(22) Filed: **Jun. 5, 2017**

Related U.S. Application Data

(63) Continuation-in-part of application No. 29/539,156, filed on Sep. 11, 2015, now abandoned.

(30) **Foreign Application Priority Data**

Mar. 11, 2015 (EM) 002650838-0004

(51) **LOC (11) Cl.** **04-01**

(52) **U.S. Cl.**
USPC **D4/134**

(58) **Field of Classification Search**

USPC D4/100, 101, 102, 114, 121, 127, 128,
D4/129, 130, 131, 132, 133, 134, 135,
D4/136, 137, 138, 199; D24/214, 215;
D28/63; D30/158; D32/40, 41, 42, 50,
D32/51, 53

CPC .. A46B 3/005; A46B 5/00; A46B 5/02; A46B
9/005; A46B 9/02; A46B 2200/1006;
A46B 2200/102

See application file for complete search history.

(56) **References Cited**

U.S. PATENT DOCUMENTS

1,471,527 A * 10/1923 Proctor A45D 20/525
132/117
D110,517 S * 7/1938 Goldman 15/160

D125,504 S * 2/1941 Hertzberg 15/160
D167,951 S * 10/1952 Porter D4/134
D170,603 S * 10/1953 Pennington D4/116
D182,016 S * 2/1958 Dean 15/188
D198,493 S * 6/1964 Lardenois D28/23
D228,585 S * 10/1973 Bpydevold D32/42
4,364,142 A * 12/1982 Pangle A46B 5/02
119/623
D283,852 S * 5/1986 Hsu D4/136
D375,842 S * 11/1996 Gringer D4/132

(Continued)

Primary Examiner — Karen E Eldridge Powers

(74) *Attorney, Agent, or Firm* — Gearhart Law LLC

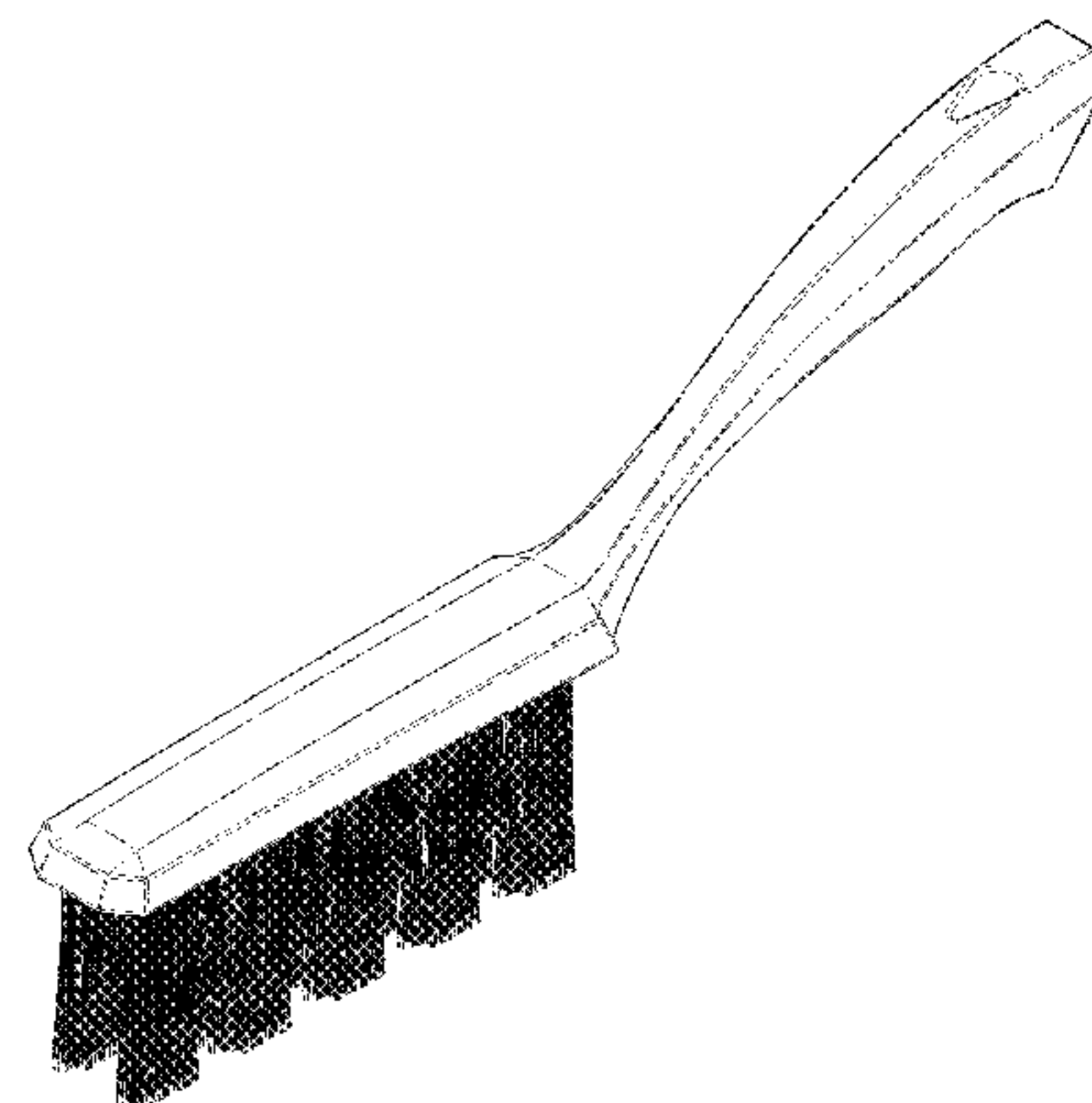
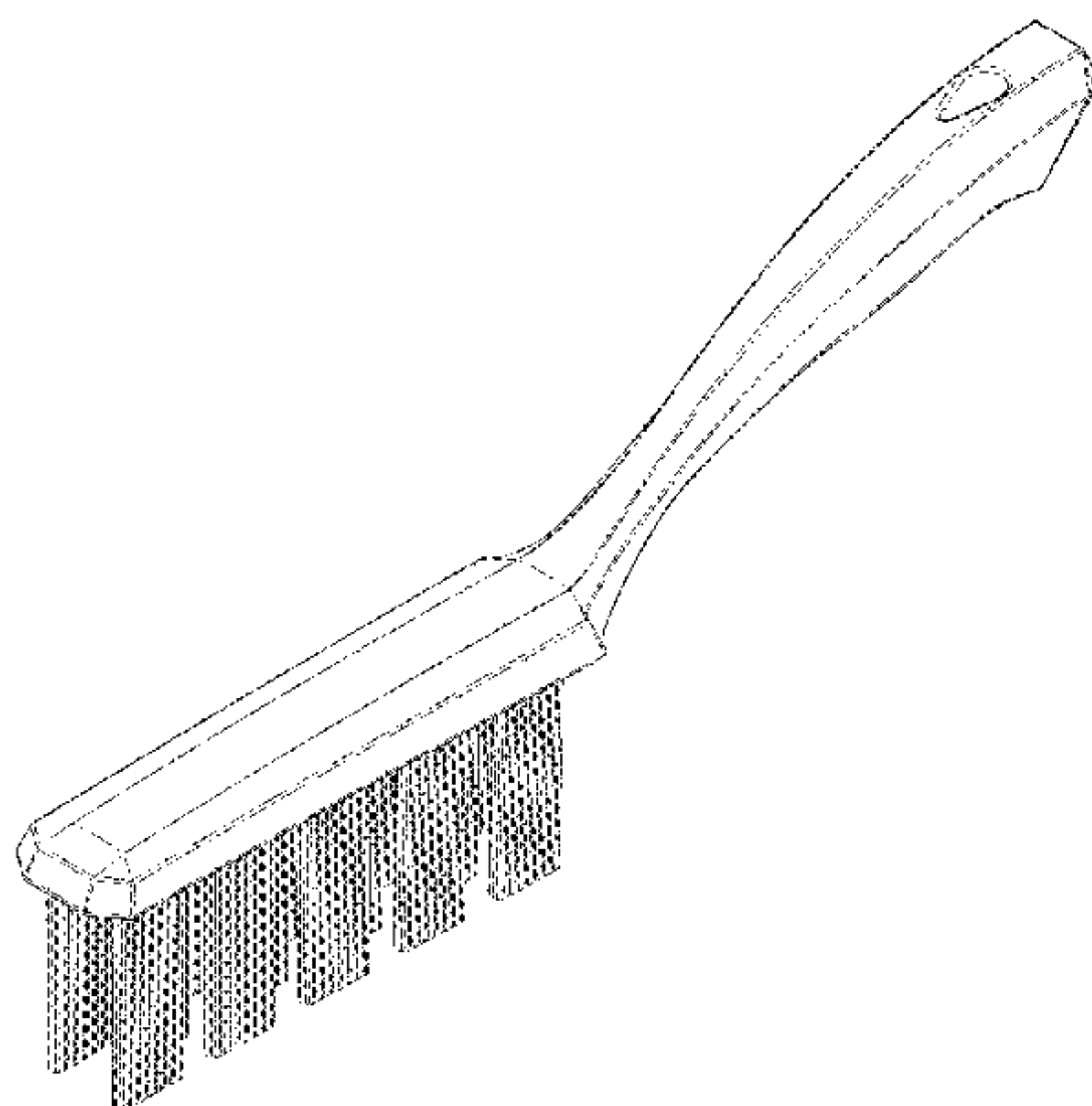
(57) **CLAIM**

The ornamental design for a brush, as shown and described.

DESCRIPTION

FIG. 1 is a perspective view of a brush.
FIG. 2 is a front perspective view thereof.
FIG. 3 is a rear perspective view thereof.
FIG. 4 is a right perspective view thereof.
FIG. 5 is a left perspective view thereof.
FIG. 6 is a top perspective view thereof.
FIG. 7 is a bottom perspective view thereof.
FIG. 8 is a front, top and left side perspective view of an alternate embodiment of the brush pictured in FIGS. 1-7.
FIG. 9 is a front perspective view of the brush as shown in FIG. 8.
FIG. 10 is a rear perspective view of the brush thereof.
FIG. 11 is a right perspective view of the brush thereof.
FIG. 12 is a left perspective view of the brush thereof.
FIG. 13 is a top perspective view of the brush thereof; and,
FIG. 14 is a bottom perspective view of the brush thereof.
The broken lines shown in the drawings illustrate the portions of the article that are extracted as enlargements, as well as forming the bounds of the enlargement views themselves, and form no part of the claimed design.

1 Claim, 14 Drawing Sheets



(56)

References Cited

U.S. PATENT DOCUMENTS

D436,447	S	*	1/2001	Weiss	D4/118
D441,962	S	*	5/2001	Gringer	D4/134
D449,739	S	*	10/2001	Gringer	D4/118
D456,607	S	*	5/2002	Carlucci	D4/101
D606,316	S	*	12/2009	Driesen	D4/101
D606,317	S	*	12/2009	Driesen	D4/101
D606,758	S	*	12/2009	Driesen	D4/101
D611,711	S	*	3/2010	Driesen	D4/101
D621,158	S	*	8/2010	Driesen	D4/101
D646,898	S	*	10/2011	Raven	D4/118
2008/0172816	A1	*	7/2008	Zhadanov	A46B 5/02
						15/160

* cited by examiner

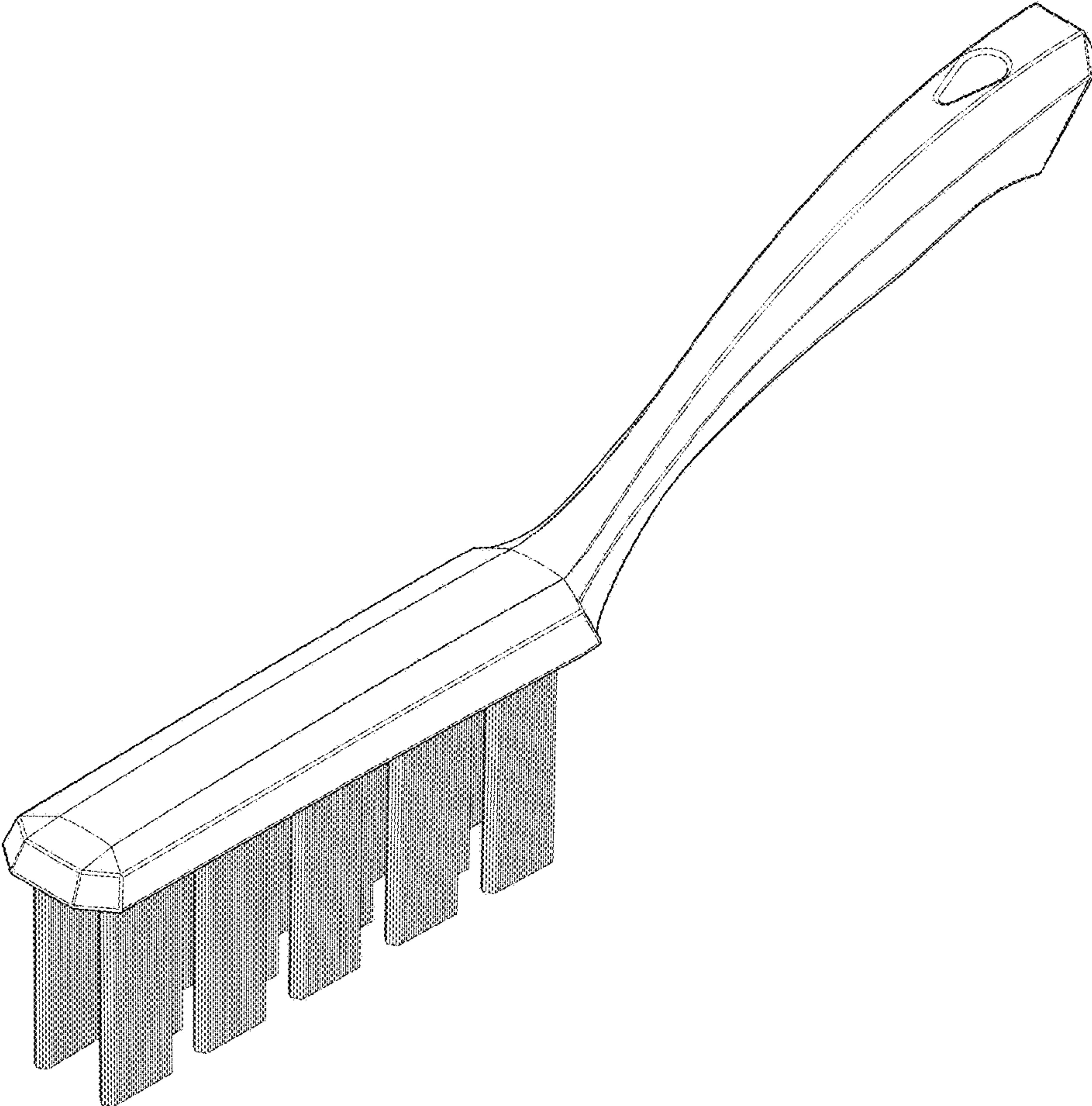


FIG. 1

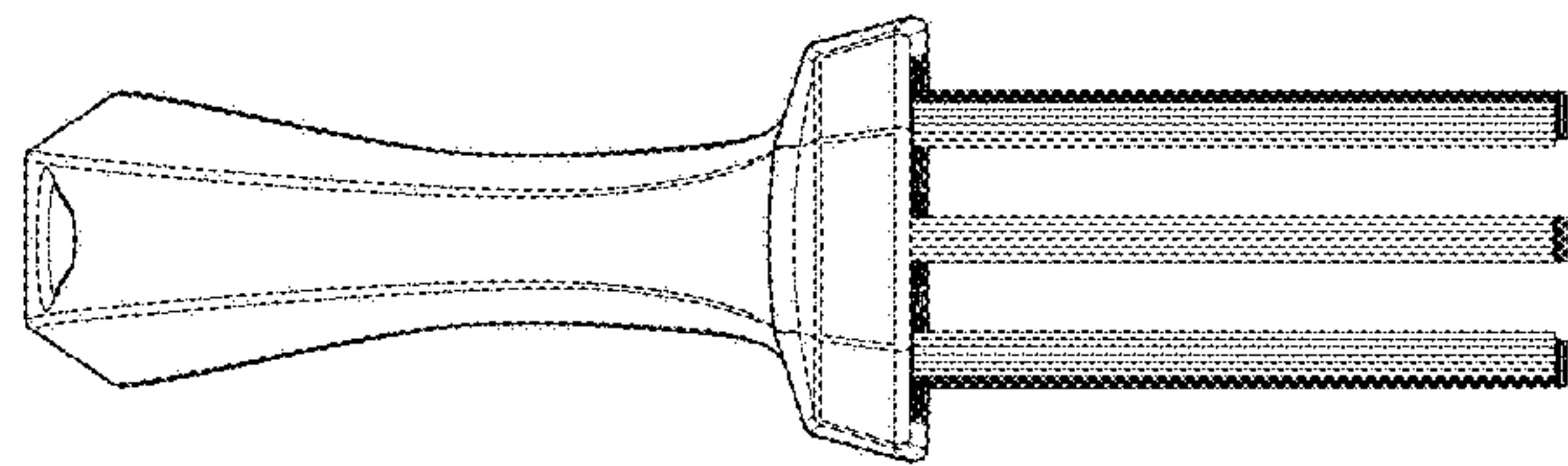


FIG.2

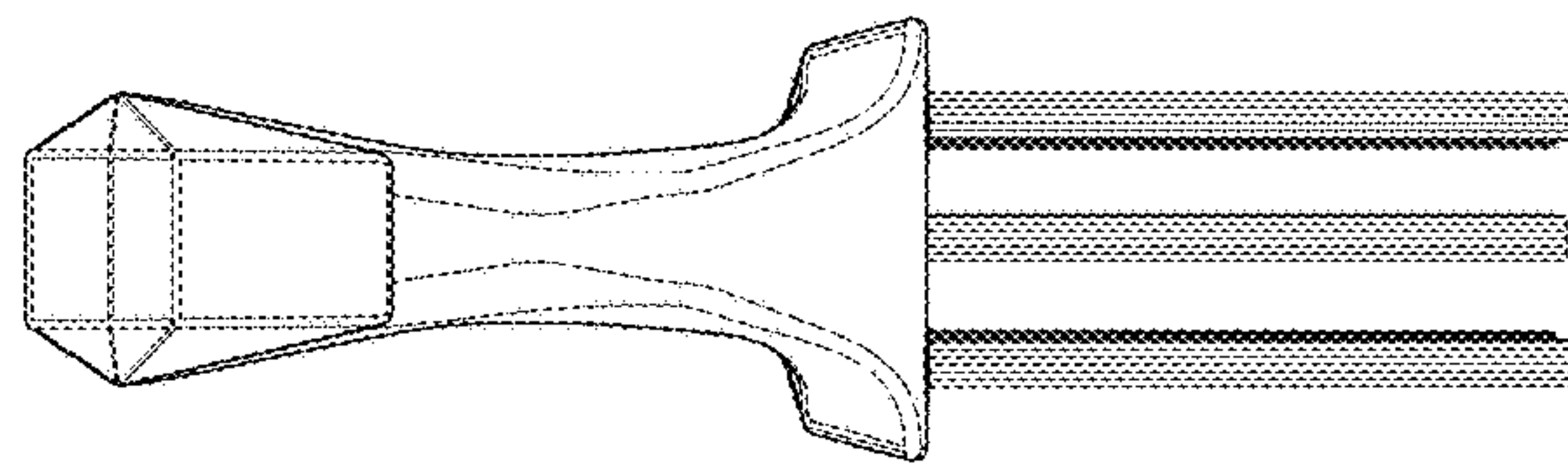


FIG. 3

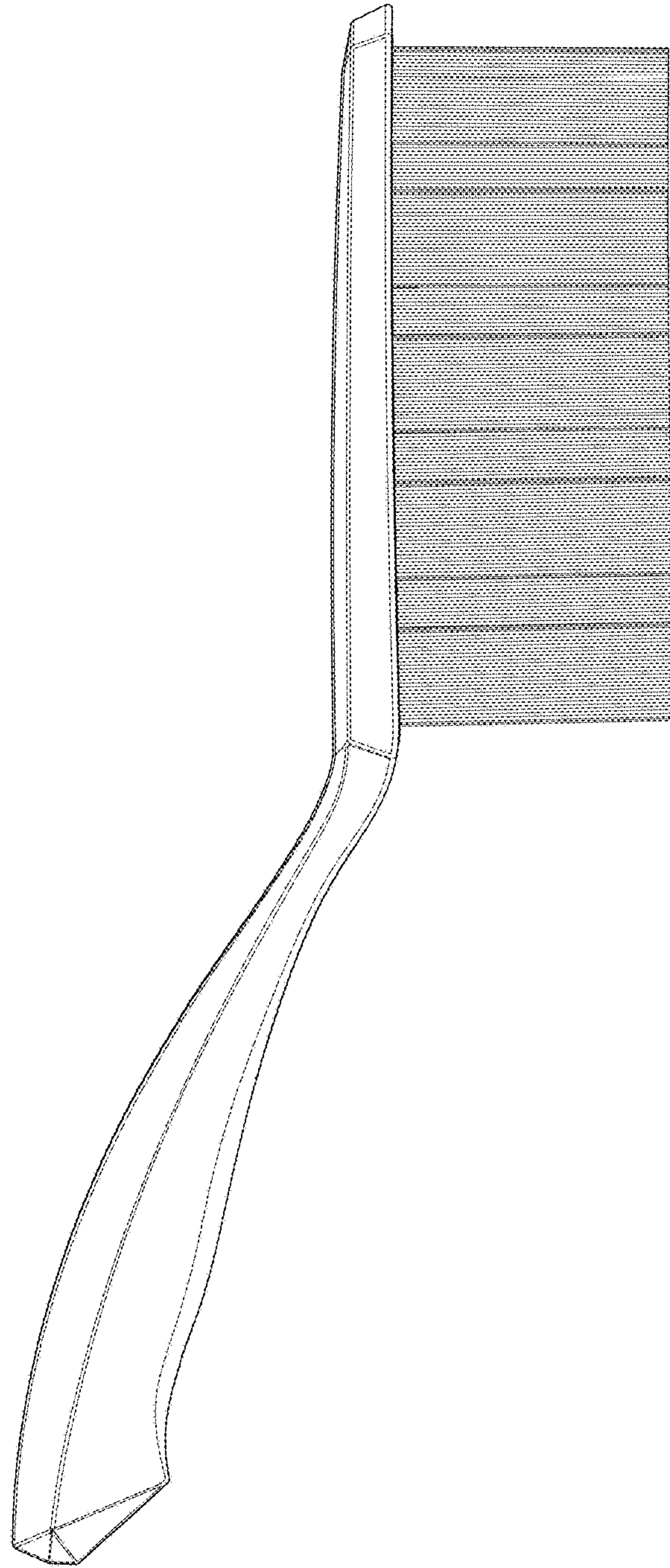


FIG.4

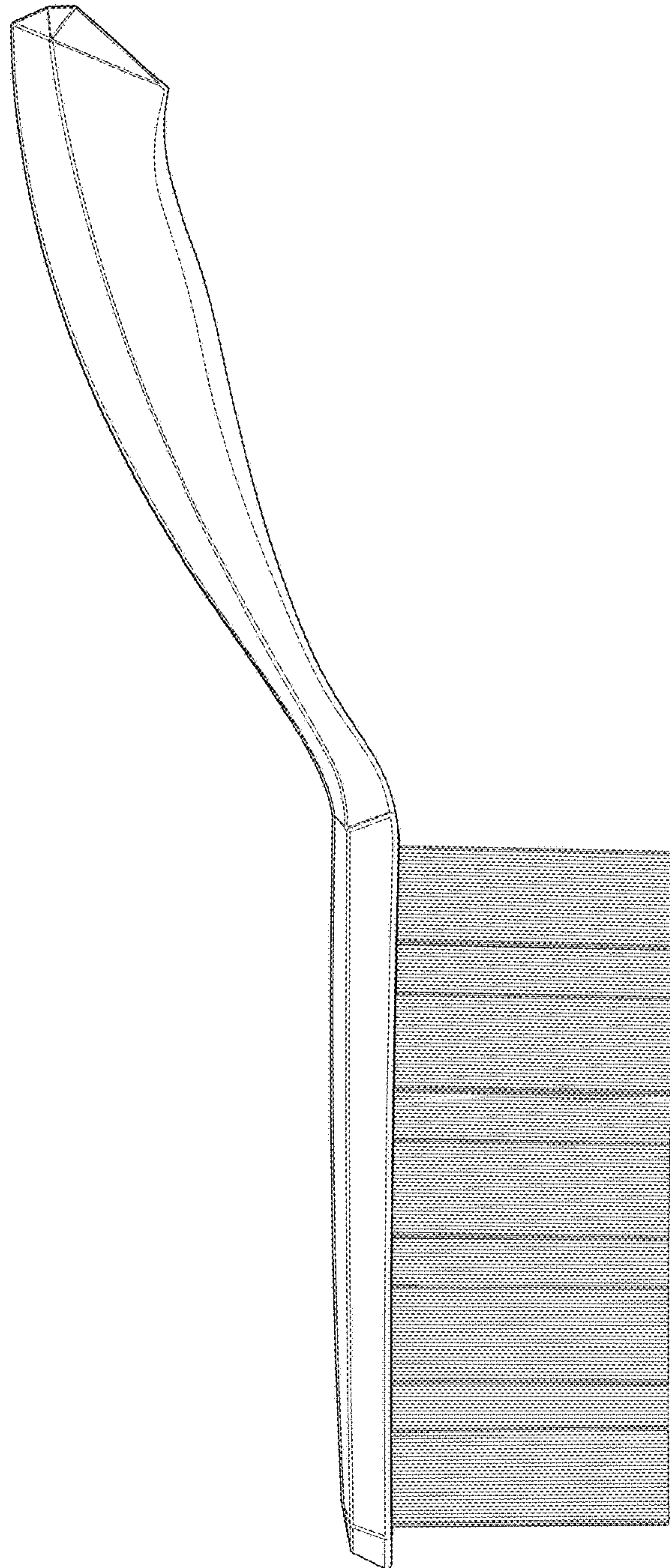


FIG. 5

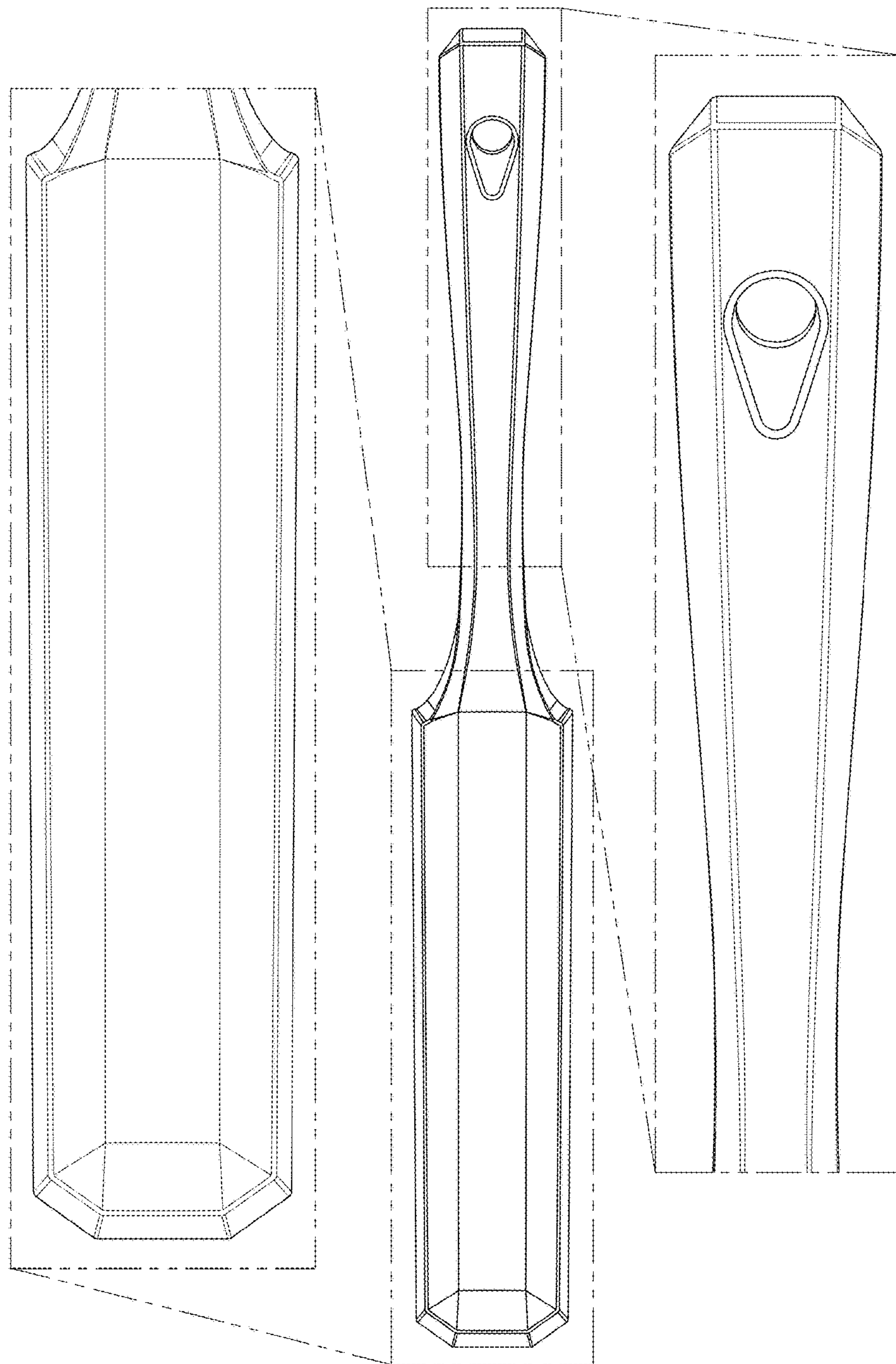


FIG.6

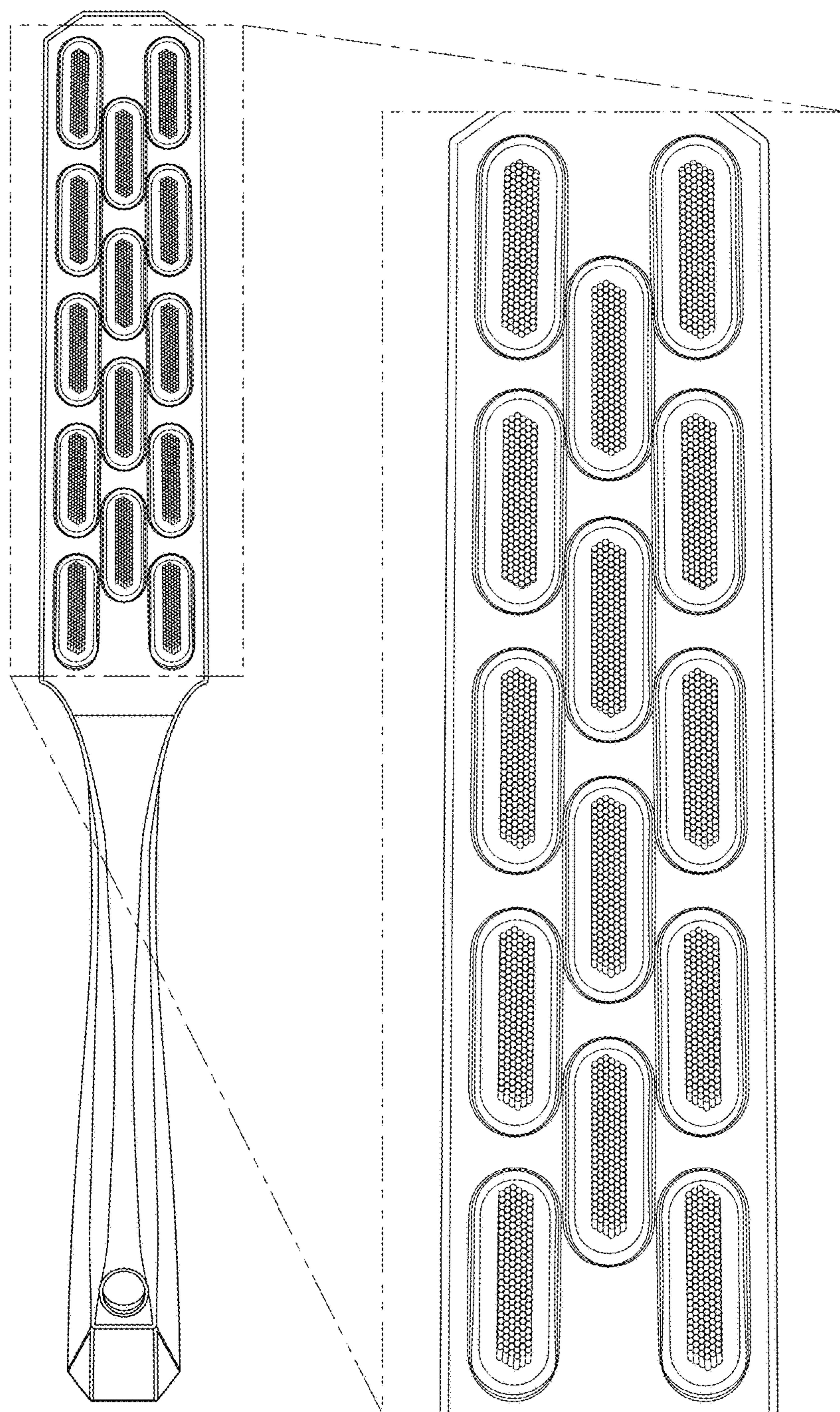
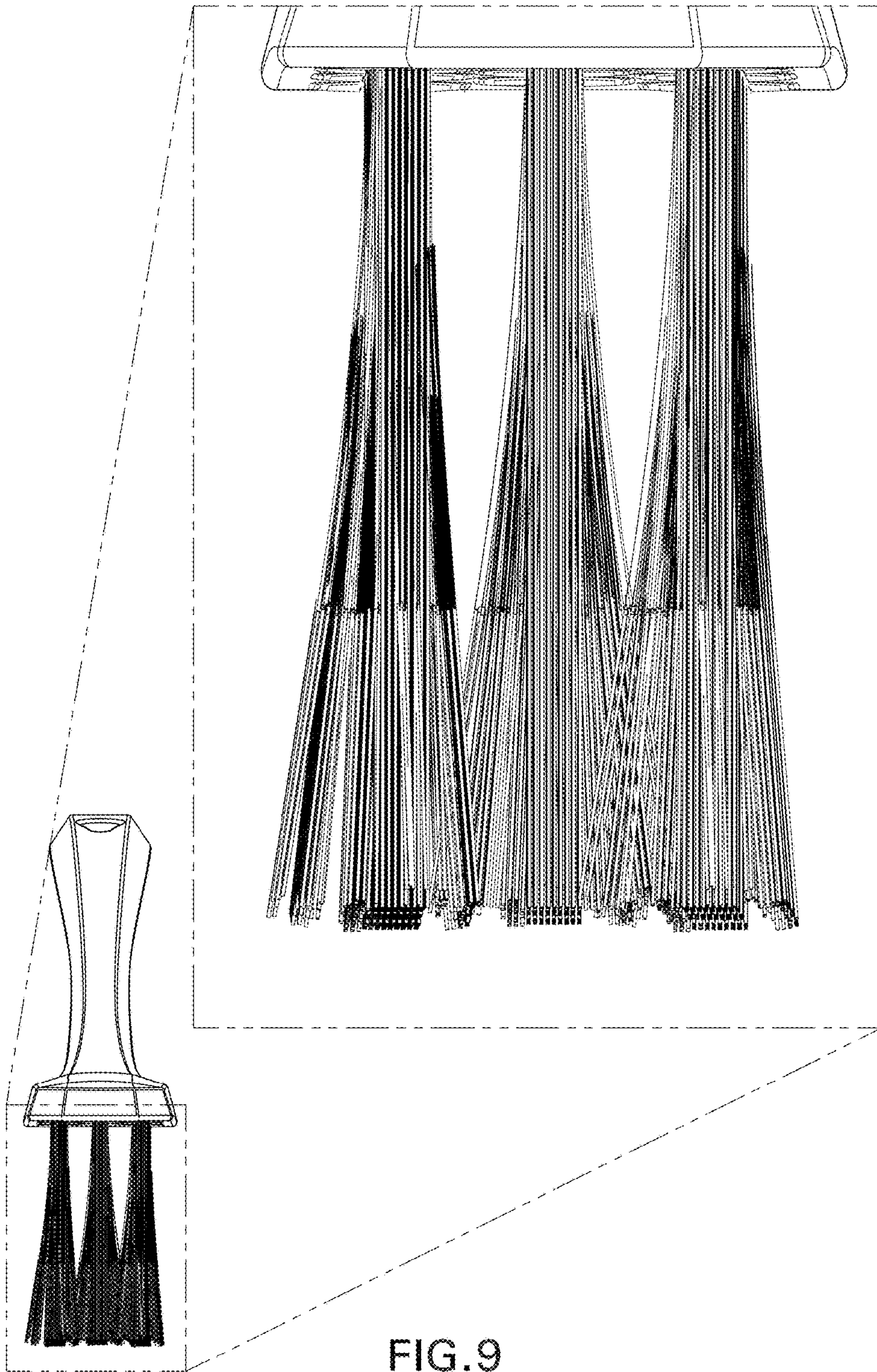


FIG. 7



FIG. 8



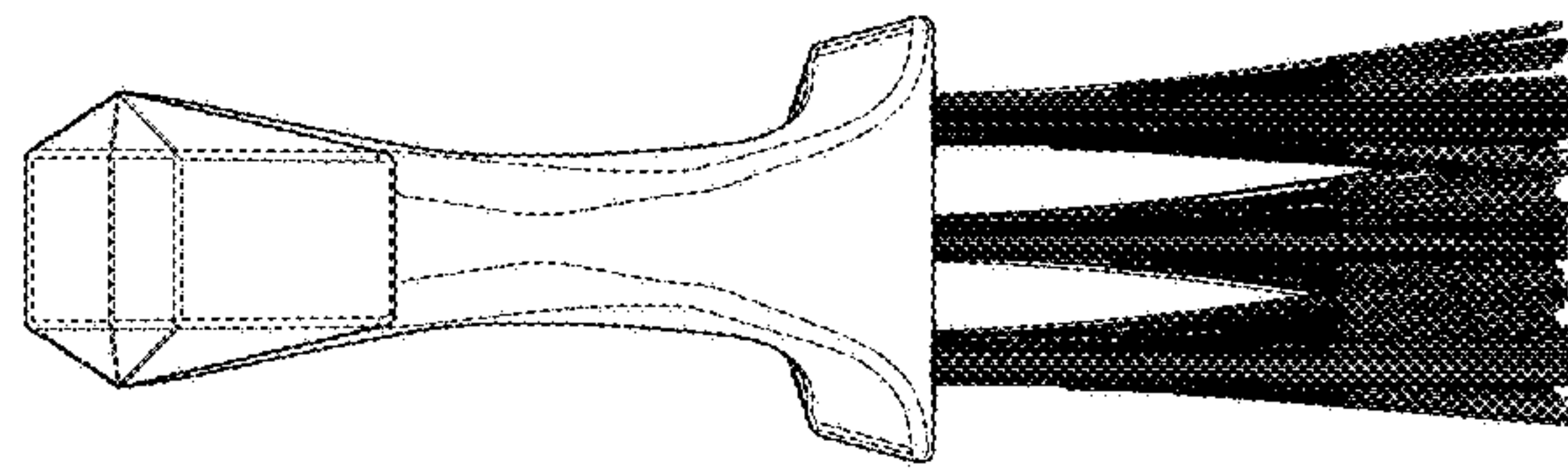


FIG. 10

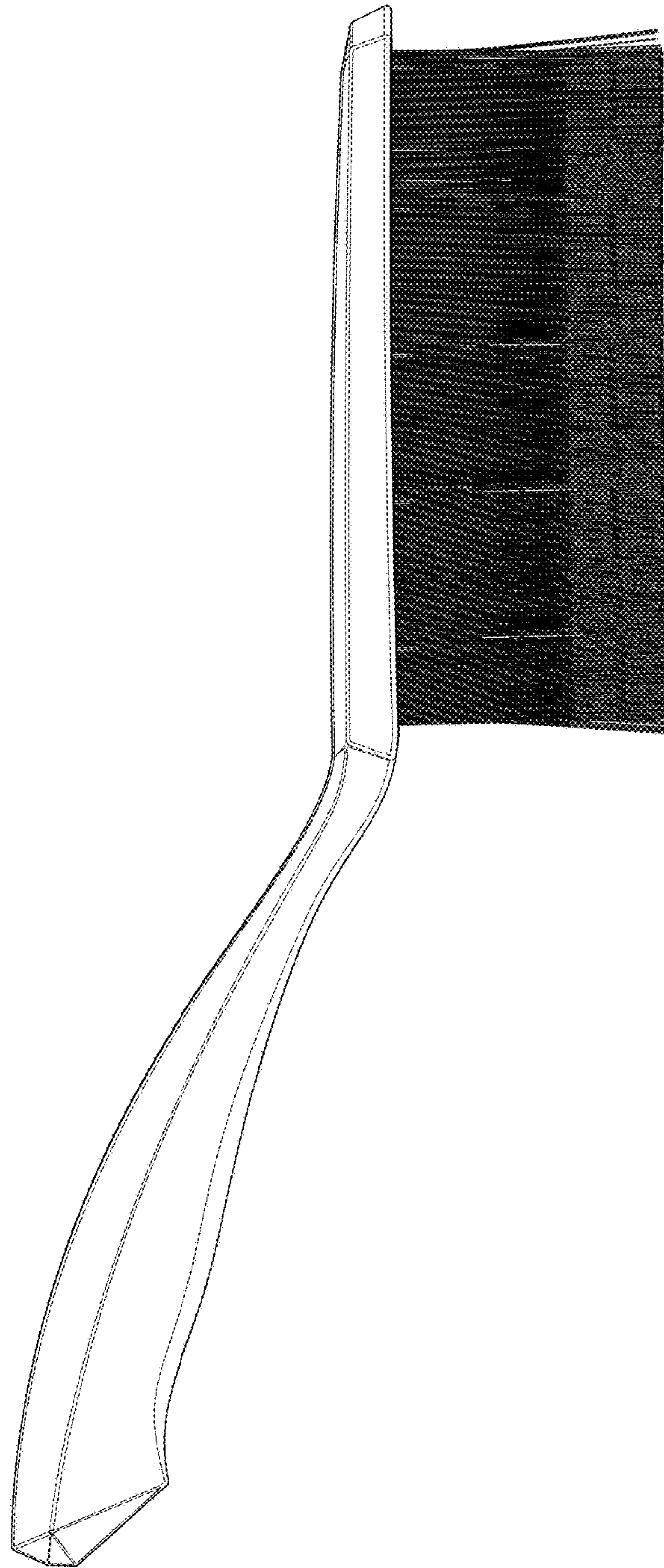


FIG.11

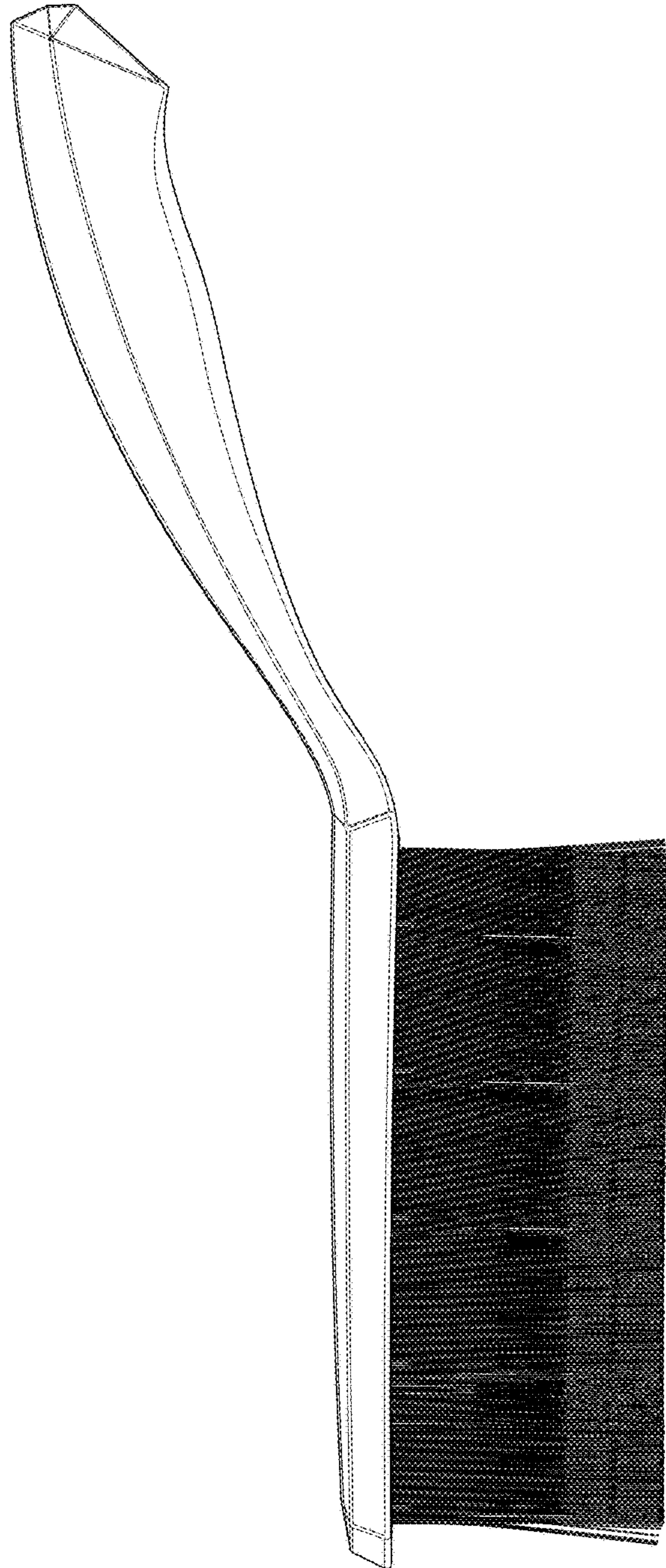


FIG.12

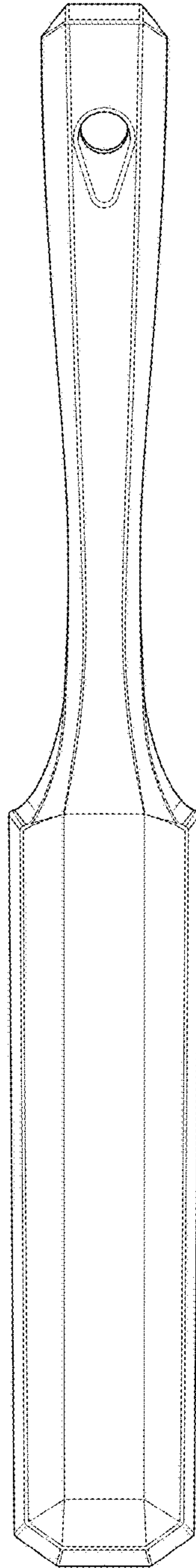


FIG. 13

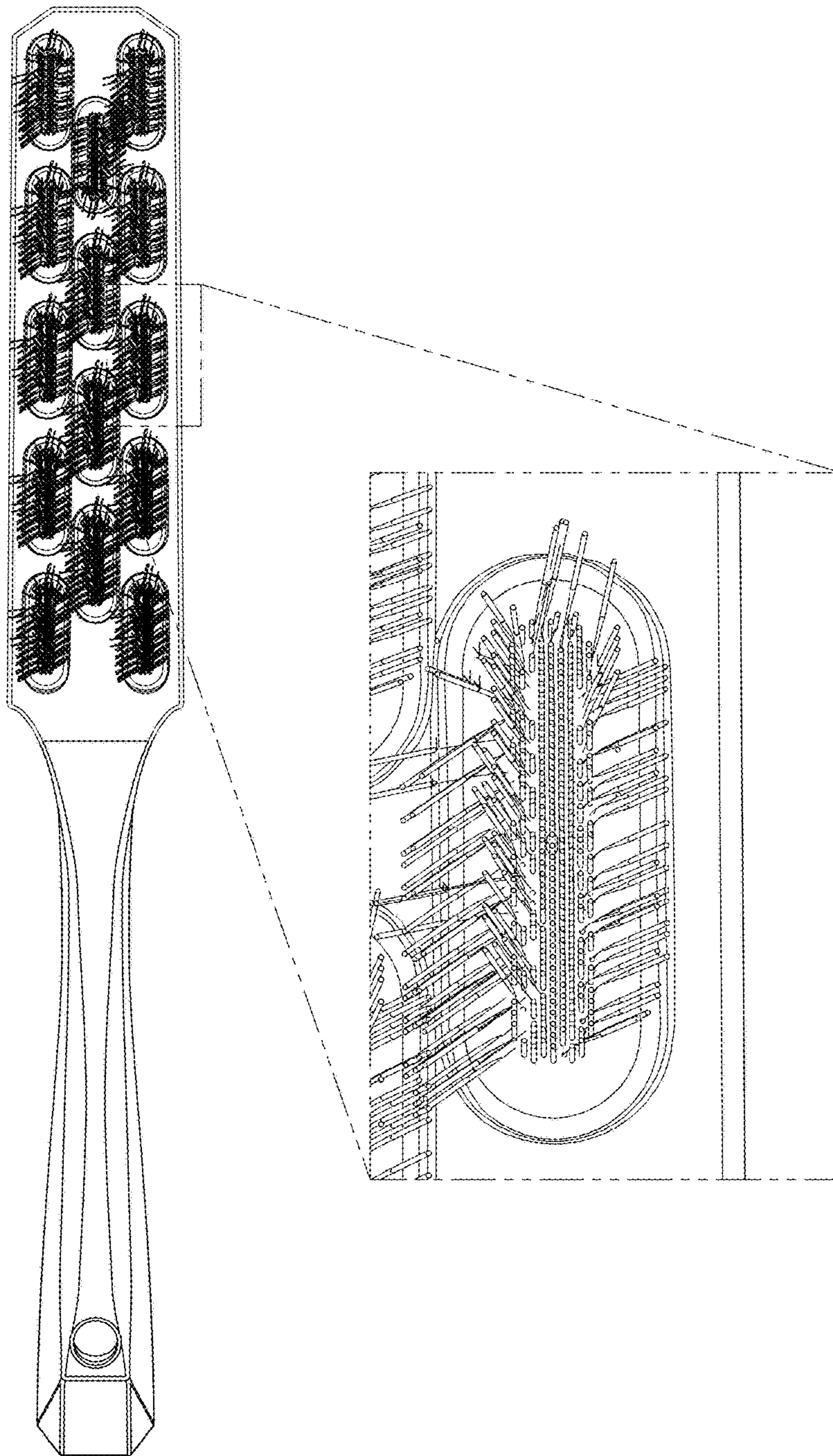


FIG. 14