



US00D838990S

(12) **United States Design Patent** (10) **Patent No.:** **US D838,990 S**
Liu (45) **Date of Patent:** **** Jan. 29, 2019**

- (54) **BRUSH HEAD FOR AN ELECTRIC TOOTHBRUSH**
- (71) Applicant: **Harria Investment Group Ltd,**
Causeway Bay (CN)
- (72) Inventor: **Xinlan Liu,** Rowland Heights, CA (US)
- (73) Assignee: **Harria Investment Group Ltd,**
Causeway Bay (HK)
- (**) Term: **15 Years**
- (21) Appl. No.: **29/603,640**
- (22) Filed: **May 11, 2017**
- (51) **LOC (11) Cl.** **04-02**
- (52) **U.S. Cl.**
USPC **D4/101**
- (58) **Field of Classification Search**
USPC D1/106, 199; D4/100-104, 108-111,
D4/127, 128, 132-136, 138, 199; D8/61;
D13/107, 108; D14/288; D24/119, 146,
D24/180; D30/158, 159
CPC A46B 5/00; A46B 9/04; A46B 9/10; A46B
7/00; A46B 2200/1066; A46B 2200/1073;
A46B 2200/1086
See application file for complete search history.

- (56) **References Cited**
U.S. PATENT DOCUMENTS
D300,185 S * 3/1989 Suzuki D4/102
5,577,285 A 11/1996 Drossler
6,018,840 A 2/2000 Guay et al.
6,021,538 A 2/2000 Kressner et al.
6,058,541 A 5/2000 Masterman et al.
6,094,769 A 8/2000 Driesen et al.
6,141,819 A 11/2000 Driesen et al.
6,195,828 B1 3/2001 Fritsch
6,308,359 B2 10/2001 Fritsch et al.
D452,044 S * 12/2001 Goetschi D28/20

- 6,367,108 B1 4/2002 Fritsch et al.
- 6,475,553 B2 11/2002 Guay et al.
- D476,156 S * 6/2003 Ferber D4/101
- 6,588,042 B2 7/2003 Fritsch et al.
- 6,665,901 B2 12/2003 Driesen et al.
- 6,785,929 B2 9/2004 Fritsch et al.
- D501,605 S * 2/2005 Brown, Jr. D4/101
- 6,871,373 B2 3/2005 Driesen et al.
- D513,881 S * 1/2006 Meyers D4/101
- D534,728 S * 1/2007 Vu D4/101
- D563,674 S 3/2008 Beedham
- D569,623 S 5/2008 Beedham
- D580,173 S 11/2008 Beedham
- D612,611 S * 3/2010 Brown, Jr. D4/101
- 7,690,067 B2 4/2010 Schaefer et al.
- 7,941,886 B2 5/2011 Chenvainu et al.
- D653,035 S 1/2012 Gebski

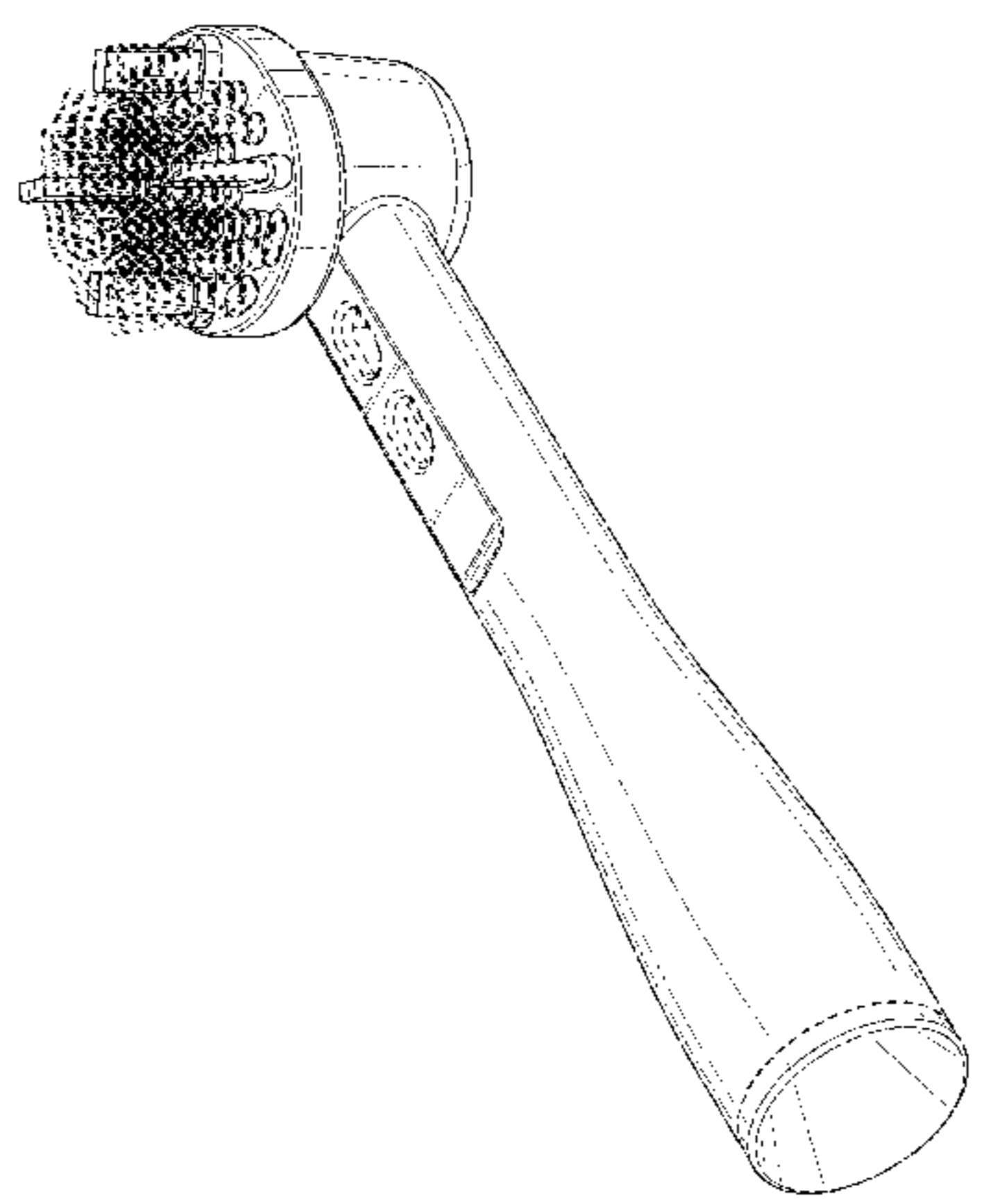
(Continued)

Primary Examiner — Philip S Hyder
Assistant Examiner — Cary M Robinson
(74) *Attorney, Agent, or Firm* — Fox Rothschild LLP

(57) **CLAIM**
The ornamental design of a brush head for an electric toothbrush, as shown and described.

DESCRIPTION
FIG. 1 illustrates a perspective view of a brush head for an electronic toothbrush;
FIG. 2 illustrates a rear elevational view thereof;
FIG. 3 illustrates a front elevational view thereof;
FIG. 4 illustrates a right side elevational view thereof;
FIG. 5 illustrates a left side elevational view thereof;
FIG. 6 illustrates a top plan view thereof; and,
FIG. 7 illustrates a bottom plan view thereof.
The collection of bristles shown as broken lines serve to illustrate environmental subject matter and the remainder of the broken lines illustrate portions of the brush head for an electronic toothbrush. None of the broken lines form part of the claimed design.

1 Claim, 4 Drawing Sheets



(56)

References Cited

U.S. PATENT DOCUMENTS

D657,565	S	4/2012	Gebski	
8,209,808	B2	7/2012	Kressner	
8,220,097	B2	7/2012	DePuydt et al.	
8,453,288	B2	6/2013	Driesen et al.	
D696,517	S	12/2013	Gebski	
8,621,698	B2	1/2014	Chenvainu et al.	
8,661,597	B2	3/2014	Kressner	
8,782,841	B2	7/2014	Sale et al.	
8,813,292	B2	8/2014	Driesen et al.	
D718,057	S	11/2014	Massee et al.	
D742,649	S *	11/2015	Thompson	D4/104
9,204,948	B2	12/2015	Kloster	
D758,079	S *	6/2016	Since	D4/101
D758,080	S *	6/2016	Since	D4/101
9,392,867	B2	7/2016	Bresselschmidt	
9,420,877	B2	8/2016	Wen et al.	
D781,588	S *	3/2017	Lee	D4/102
D819,974	S *	6/2018	Johansson	D4/101
2013/0333126	A1	12/2013	Miller	
2014/0101871	A1	4/2014	Chenvainu et al.	

* cited by examiner

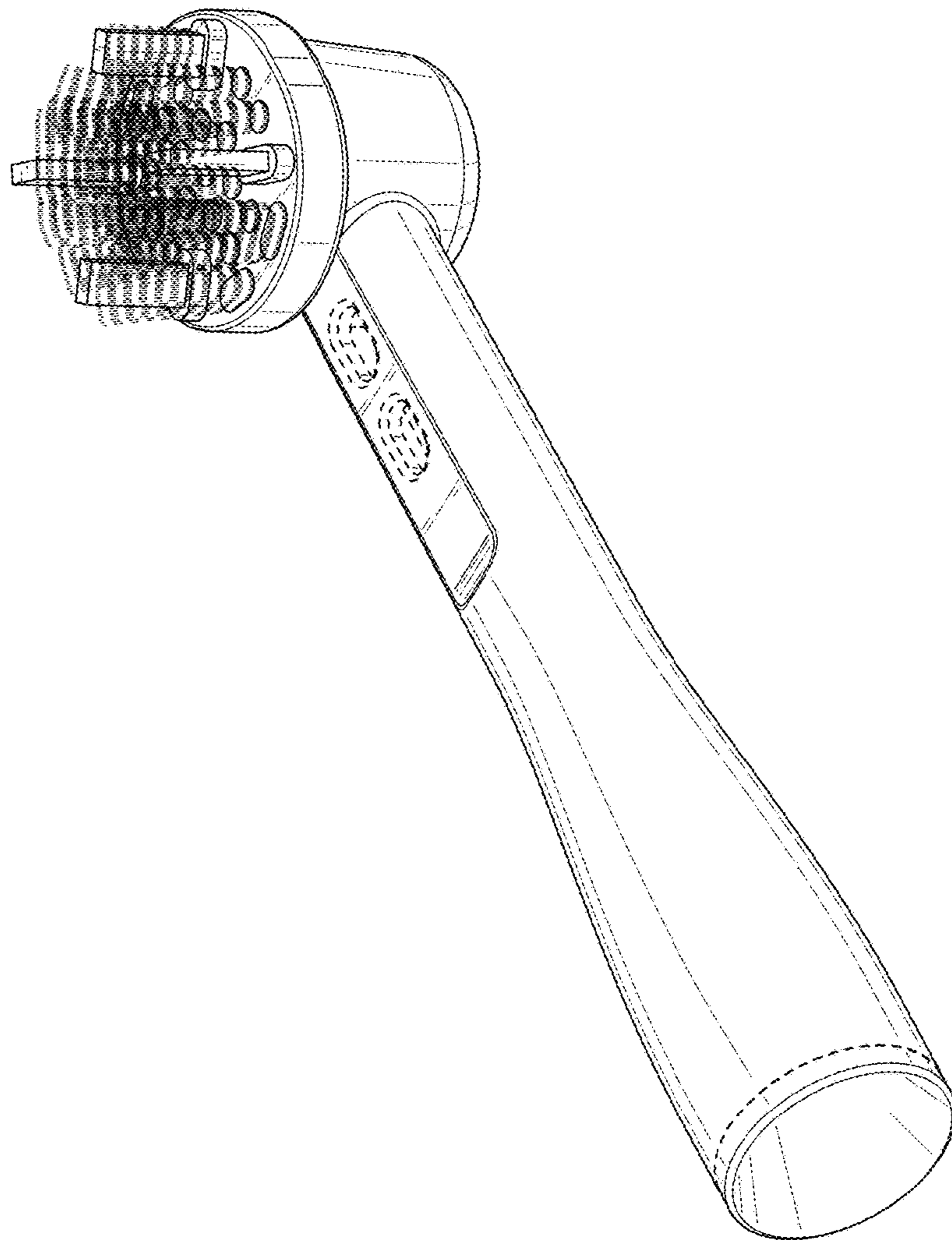


FIG. 1

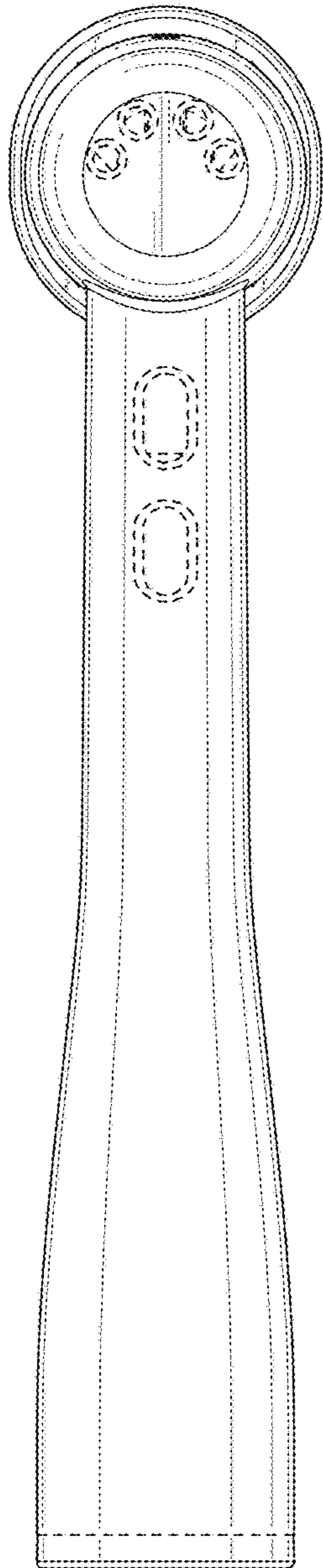


FIG. 2

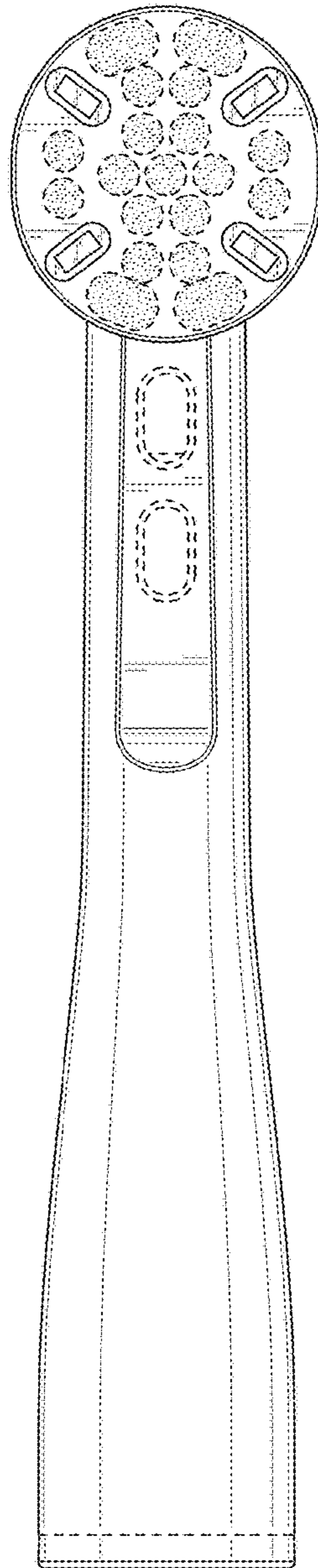


FIG. 3

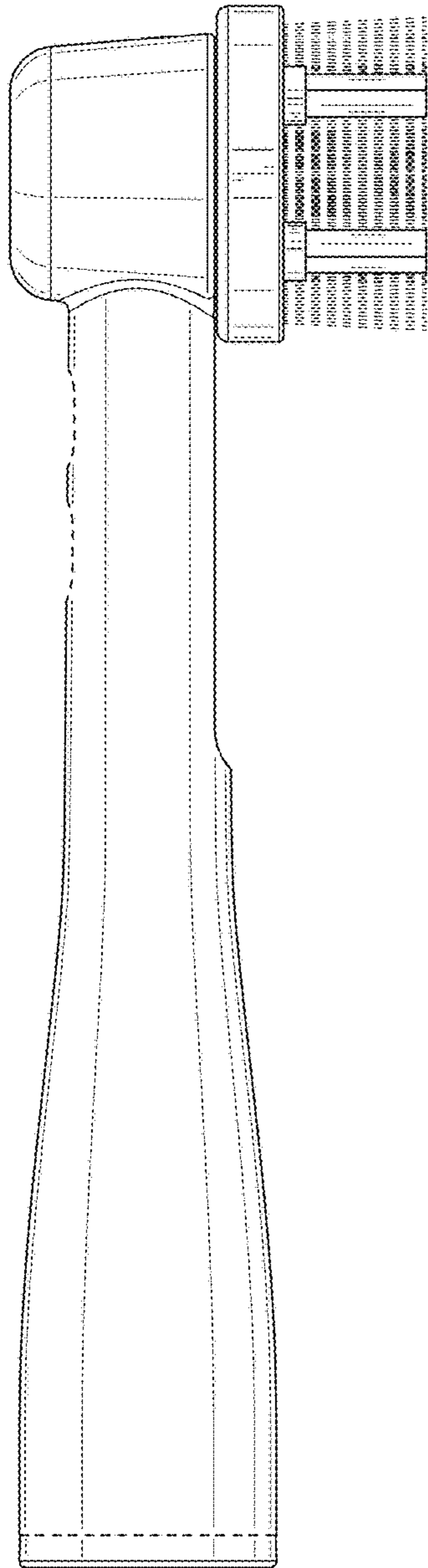


FIG. 4

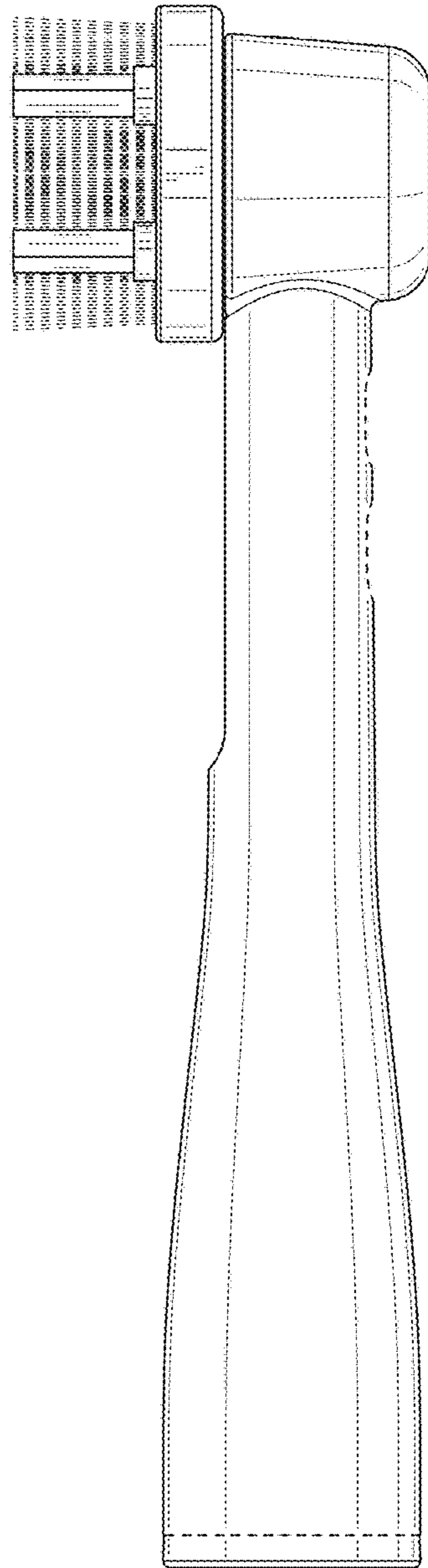


FIG. 5

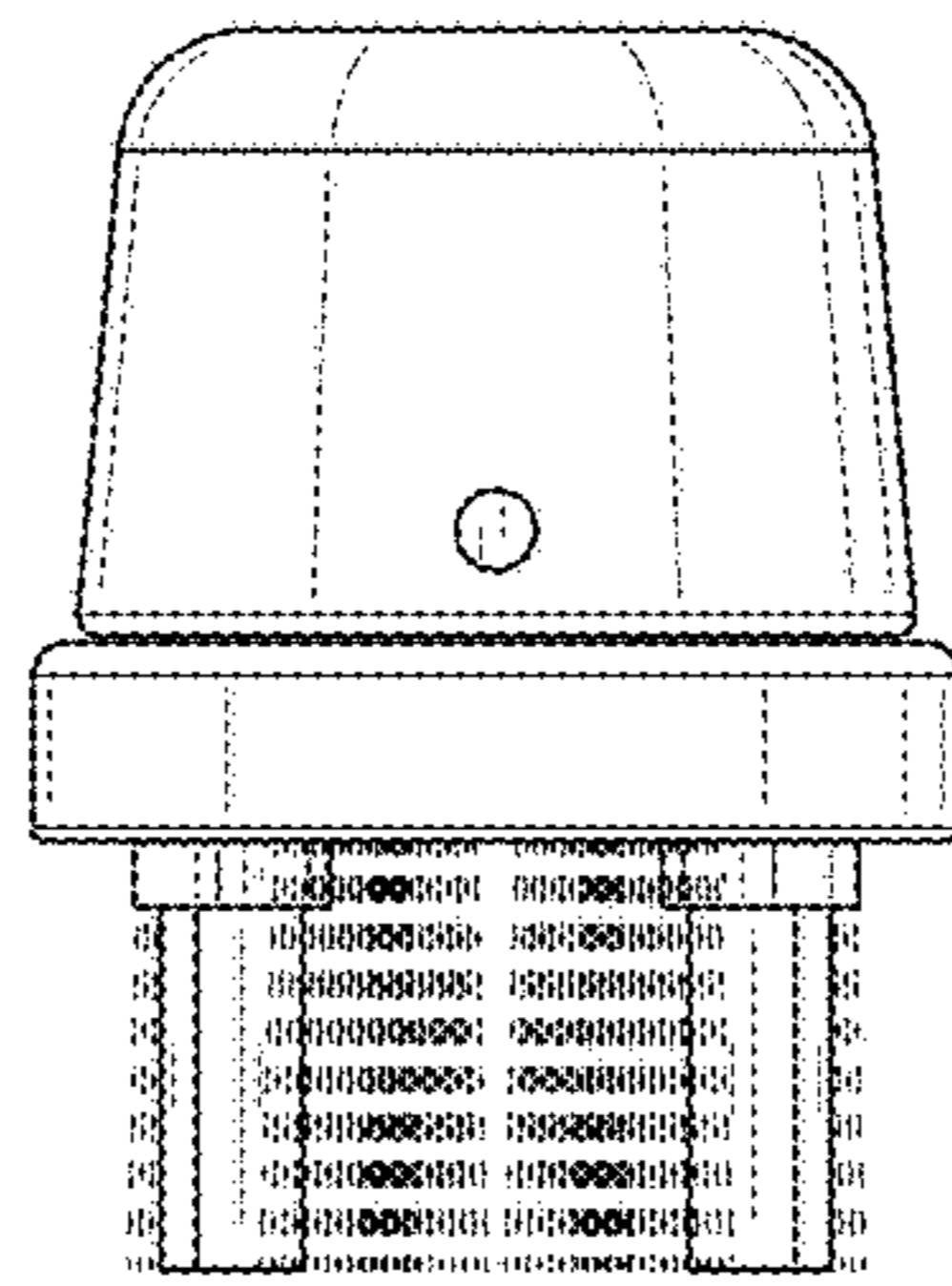


FIG. 6

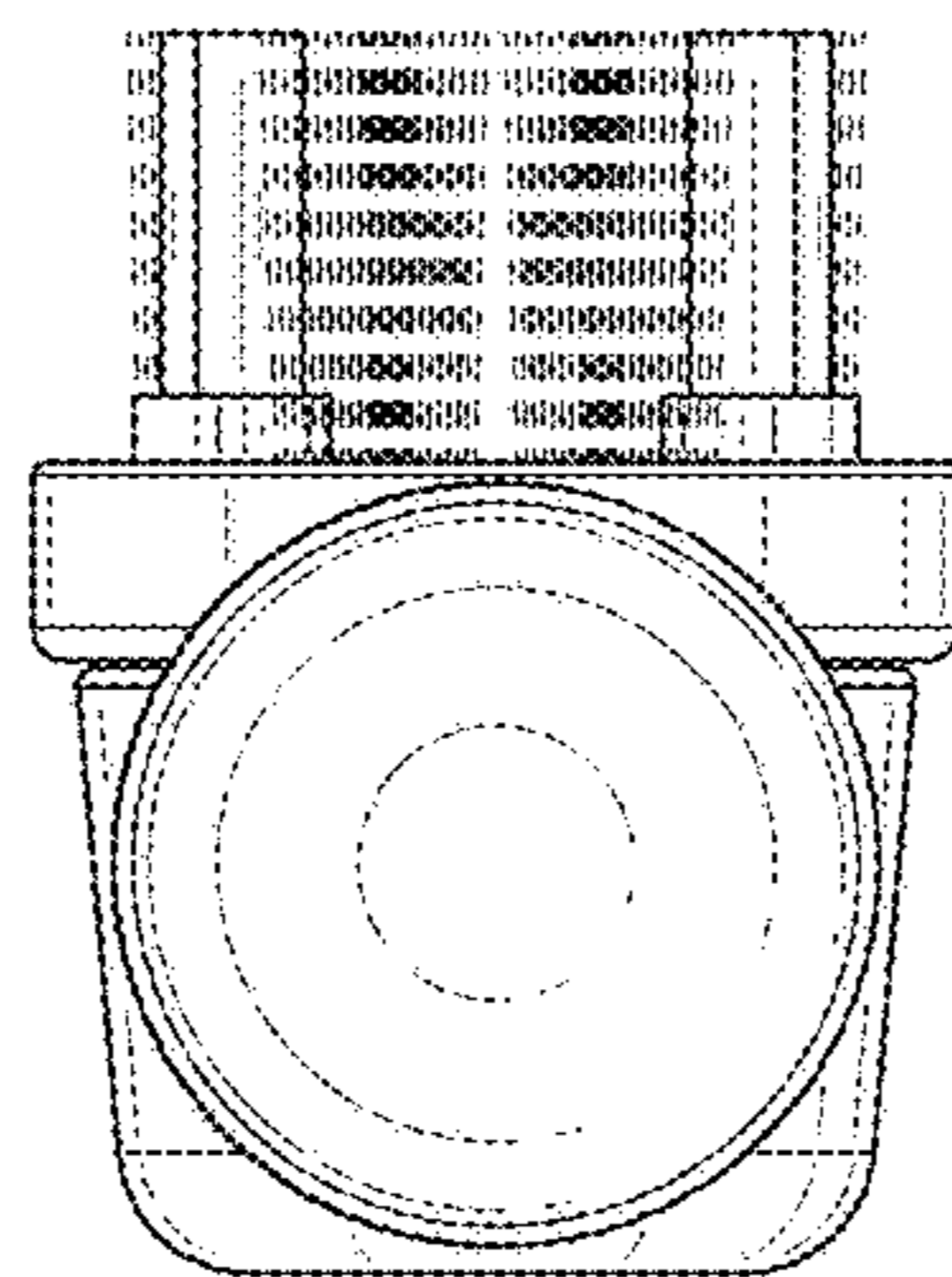


FIG. 7