



US00D838989S

(12) **United States Design Patent**
Yan et al.

(10) **Patent No.:** **US D838,989 S**
(45) **Date of Patent:** **** Jan. 29, 2019**

(54) **HAIR DRESSING DEVICE**
(71) Applicant: **Guangdong Roman Technology Co., Ltd., Dongguan (CN)**
(72) Inventors: **Youchun Yan, Dongguan (CN); Yongjun Deng, Dongguan (CN)**
(73) Assignee: **Guangdong Roman Technology Co., Ltd., Dongguan (CN)**
(**) Term: **15 Years**
(21) Appl. No.: **29/626,373**
(22) Filed: **Nov. 16, 2017**

(30) **Foreign Application Priority Data**
May 23, 2017 (CN) 2017 3 0195414
(51) **LOC (11) Cl.** **04-02**
(52) **U.S. Cl.**
USPC **D4/100**

(58) **Field of Classification Search**
USPC D4/100, 116, 117, 132, 136, 138; D28/7, D28/9, 13, 20-22, 24, 25, 30-31, 63; 132/120, 148, 219, 220, 229
CPC A46B 9/02; A46B 9/06; A46B 9/23; A46B 9/005; A46B 5/00; A46B 5/02; A46B 5/0029; A46B 5/0033; A46B 2200/104; A46B 15/003; A46B 17/04; A46D 1/00; A46D 1/0238; A46D 1/0284; A01K 13/002; A45D 2200/057; A45D 2200/152; A45D 2200/1018; A45D 2/001; A45D 2/002; A45D 20/48
See application file for complete search history.

(56) **References Cited**
U.S. PATENT DOCUMENTS
D324,586 S * 3/1992 Montagnino D28/24
D457,729 S * 5/2002 Humphrey D4/114

D565,304 S * 4/2008 Stewart D4/100
D570,045 S * 5/2008 Julemont D28/35
7,490,615 B2 * 2/2009 Rizzuto A45D 2/002
132/129
D609,857 S * 2/2010 Schmitz D28/15
D646,062 S * 10/2011 Leventhal D4/100
D656,732 S * 4/2012 Vu D4/100
8,267,098 B2 * 9/2012 Glucksman A45D 20/48
132/136
9,591,906 B2 * 3/2017 Guy-Rabi A46B 9/06
D804,188 S * 12/2017 Du D4/100
D808,658 S * 1/2018 Sophie D4/100
D815,837 S * 4/2018 Zhou D4/100
D825,929 S * 8/2018 Julemont D4/100
D826,567 S * 8/2018 Yan D4/100
2009/0147081 A1 * 6/2009 Hanson A45D 20/12
348/77
2018/0055188 A1 * 3/2018 Potts A46B 9/023

* cited by examiner

Primary Examiner — Wan Laymon
Assistant Examiner — Clint A Samuel
(74) *Attorney, Agent, or Firm* — Wang Law Firm, Inc.

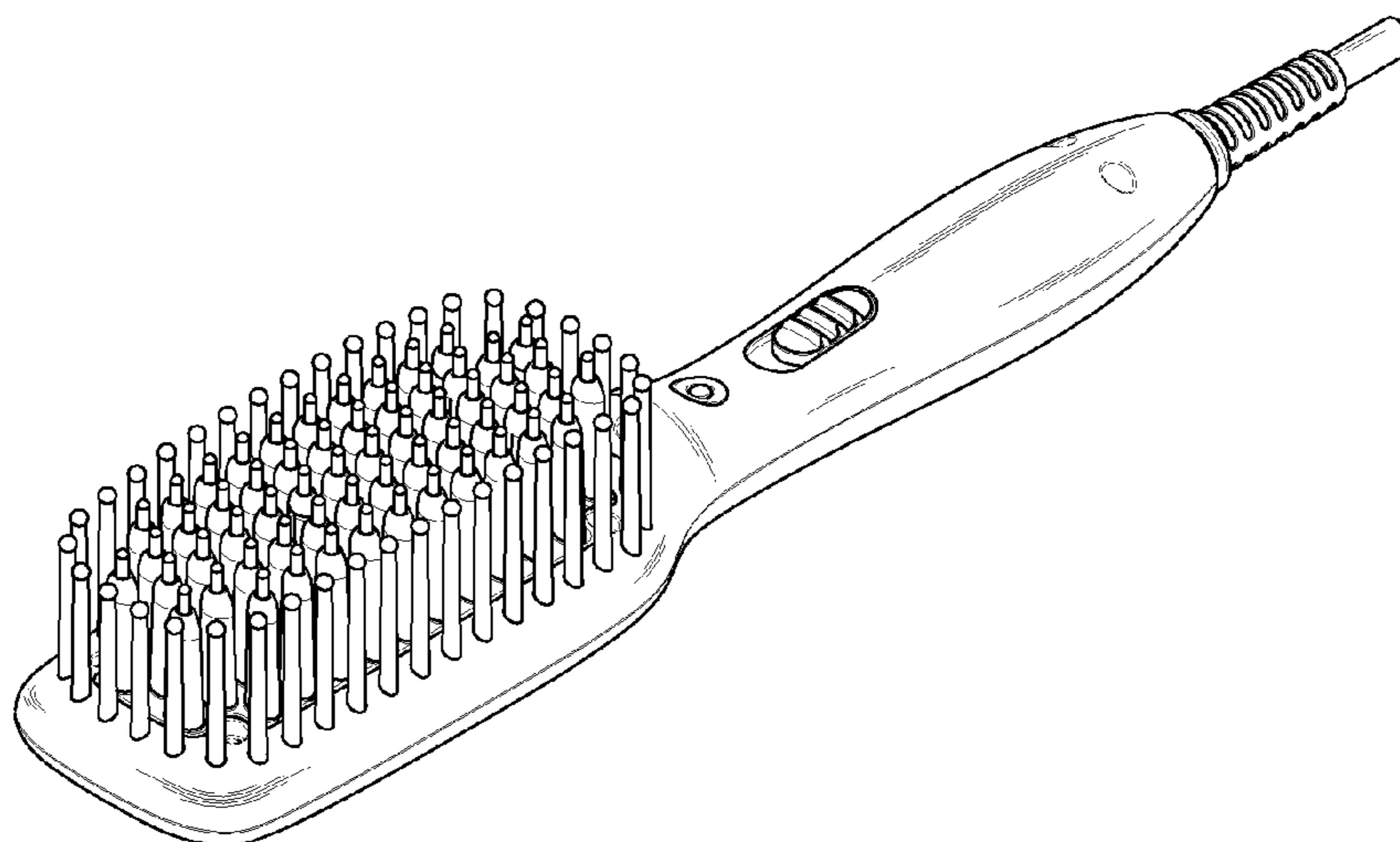
(57) **CLAIM**

The ornamental design for a hair dressing device, as shown and described.

DESCRIPTION

FIG. 1 is a perspective view of the hair dressing device showing my new design;
FIG. 2 is a front elevation view thereof;
FIG. 3 is a rear elevation view thereof;
FIG. 4 is a left side elevation view thereof;
FIG. 5 is a right side elevation view thereof;
FIG. 6 is a top plan view thereof; and,
FIG. 7 is a bottom plan view thereof.

1 Claim, 7 Drawing Sheets



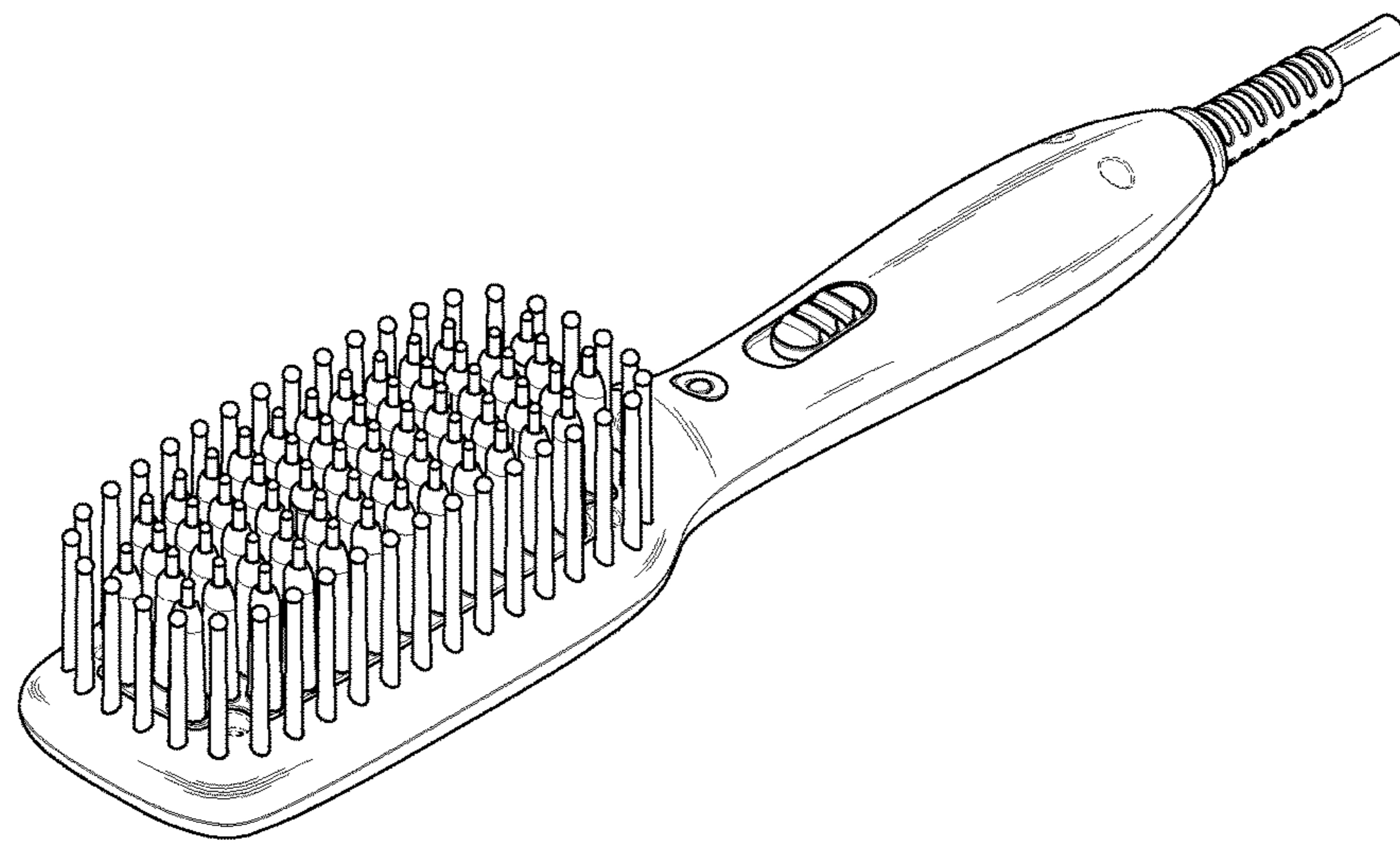


FIG.1

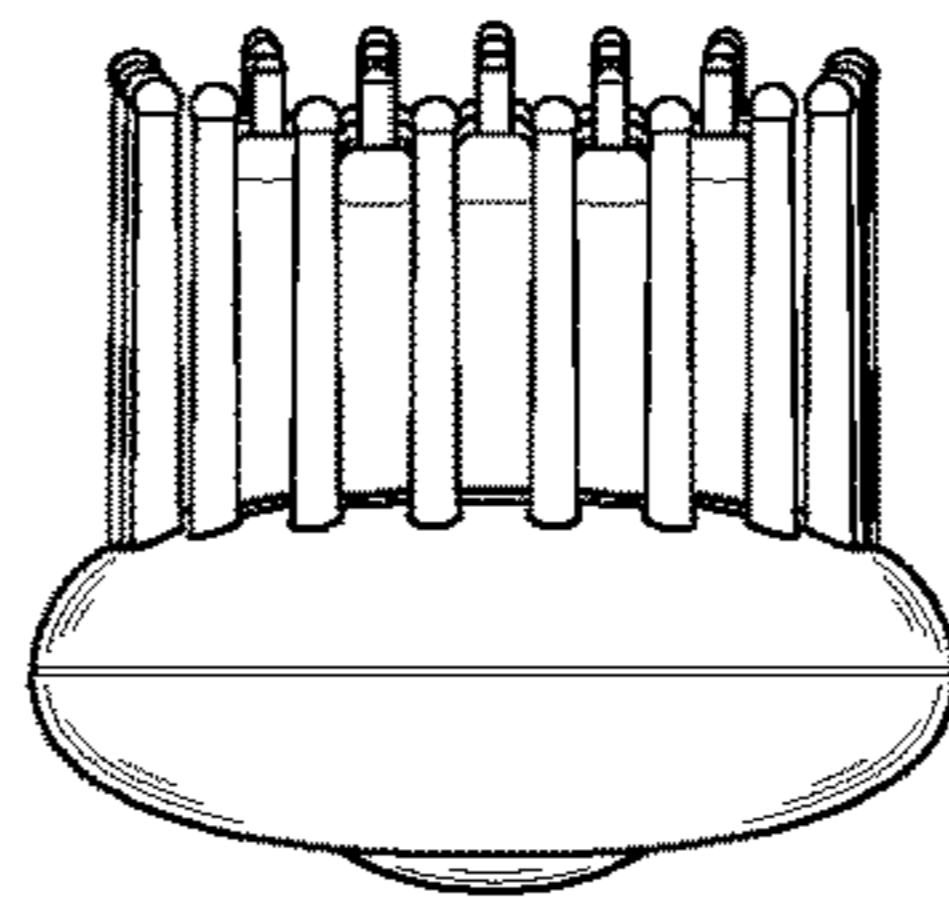


FIG.2

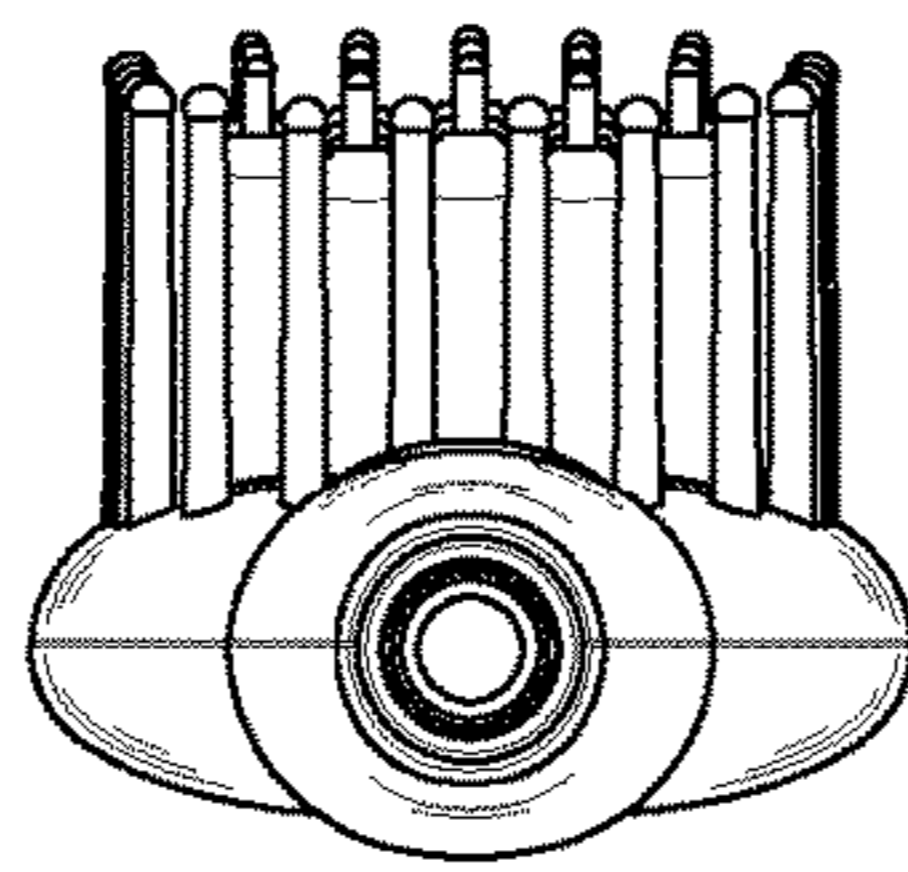


FIG.3

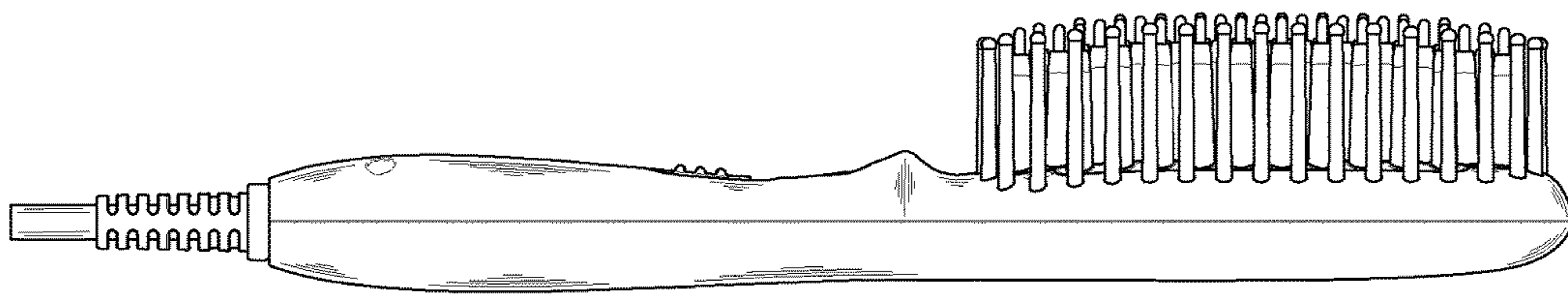


FIG.4

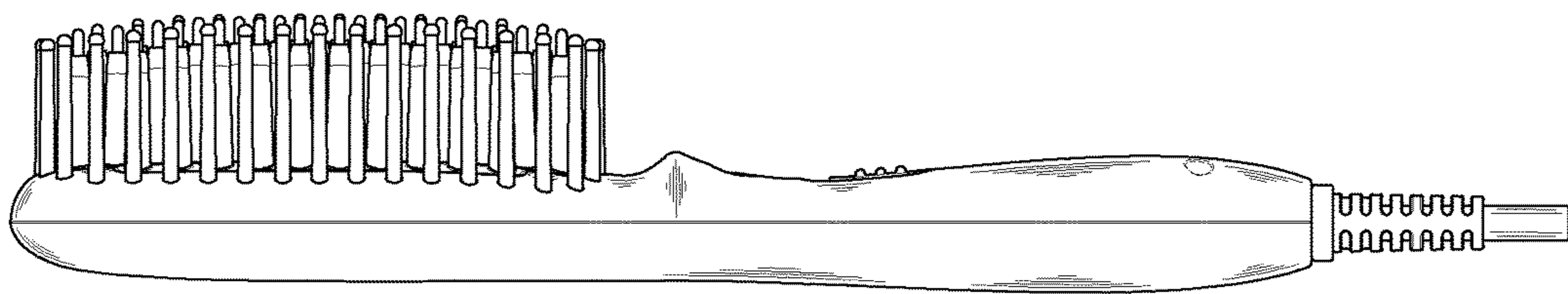


FIG.5

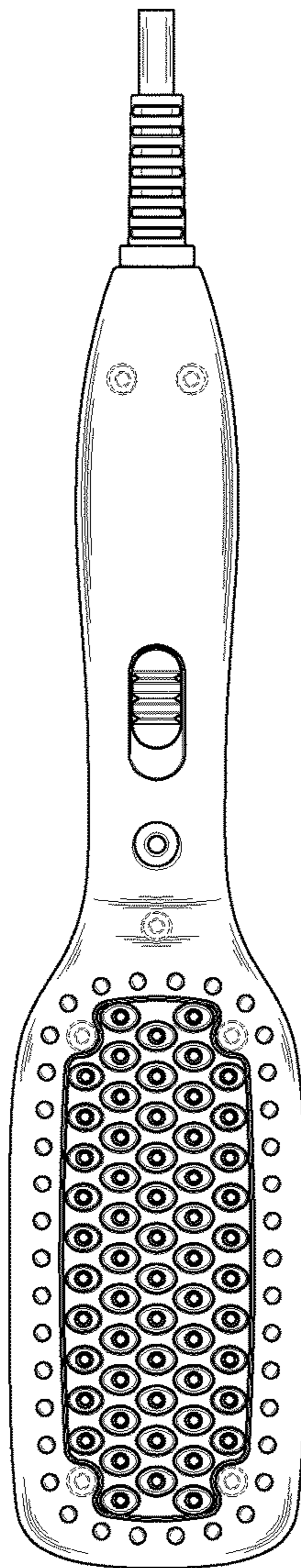


FIG.6

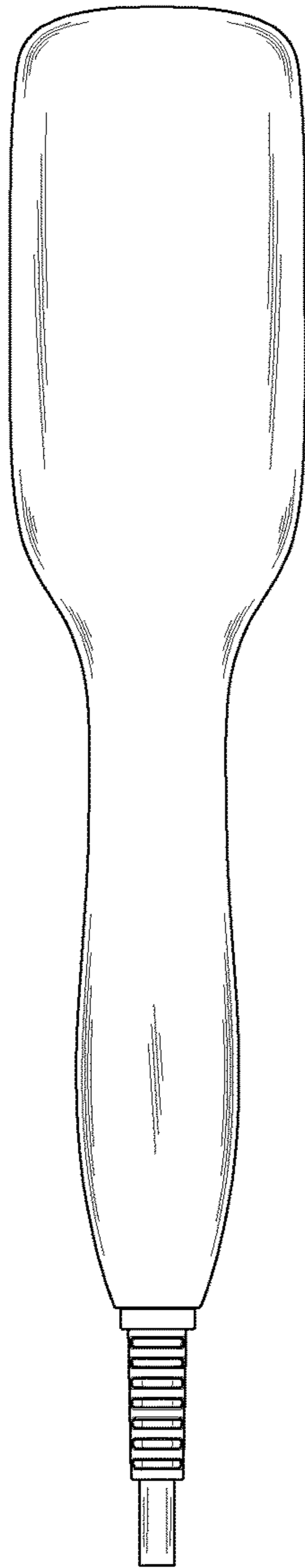


FIG.7