



US00D838987S

(12) **United States Design Patent**  
**Lai**

(10) **Patent No.:** **US D838,987 S**  
(45) **Date of Patent:** **\*\* Jan. 29, 2019**

(54) **TOOL BOX**  
(71) Applicant: **Jin-Lan Lai**, Taichung (TW)  
(72) Inventor: **Jin-Lan Lai**, Taichung (TW)  
(\*\*) Term: **15 Years**

D446,018 S \* 8/2001 Streich ..... D3/319  
6,474,481 B1 \* 11/2002 Liu ..... B25H 3/003  
206/377  
6,591,985 B2 \* 7/2003 Lai ..... B25H 3/003  
206/373  
D487,194 S \* 3/2004 Liu ..... D3/319  
D554,866 S \* 11/2007 Hasty ..... D3/319

\* cited by examiner

(21) Appl. No.: **29/627,516**  
(22) Filed: **Nov. 28, 2017**  
(51) **LOC (11) Cl.** ..... **03-01**  
(52) **U.S. Cl.**  
USPC ..... **D3/319**  
(58) **Field of Classification Search**  
USPC ..... D3/318-319, 276, 273, 289, 294, 298  
CPC . B25H 3/00; B25H 3/02; B25H 3/003; B25H  
3/023; B25H 3/028  
See application file for complete search history.

*Primary Examiner* — Holly H Baynham  
(74) *Attorney, Agent, or Firm* — Muncy, Geissler, Olds & Lowe, P.C.

(57) **CLAIM**

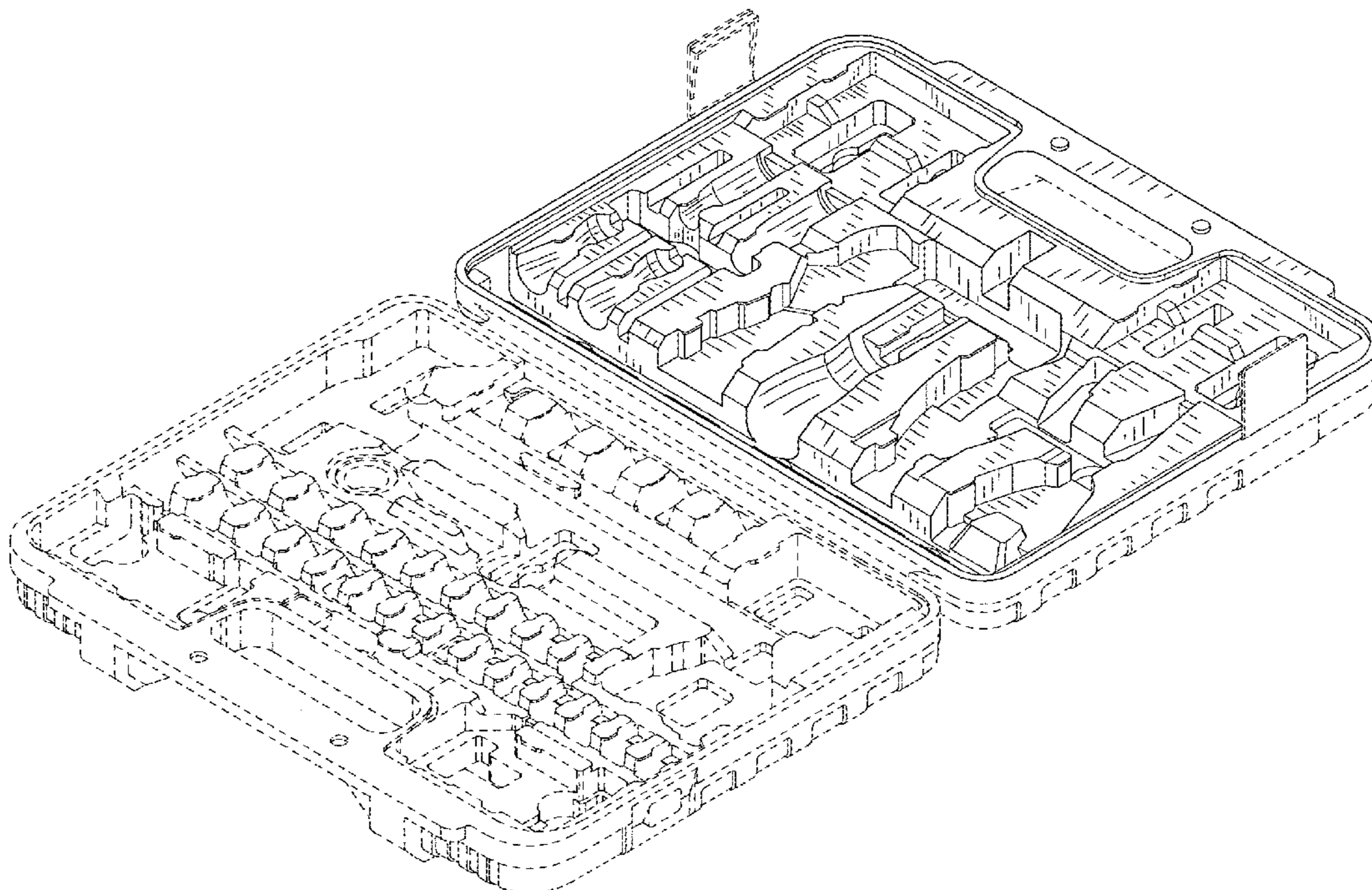
I claim the ornamental design for a tool box, as shown and described.

**DESCRIPTION**

FIG. 1 is a right, front, and top perspective view of a tool box showing my new design;  
FIG. 2 is a front elevational view thereof;  
FIG. 3 is a rear elevational view thereof;  
FIG. 4 is a left side view thereof;  
FIG. 5 is a right side view thereof;  
FIG. 6 is a top plan view thereof;  
FIG. 7 is a bottom plan view thereof; and,  
FIG. 8 is a left, rear, and top perspective view.  
The broken lines in the drawings illustrate portions of the tool box which form no part of the claimed design.

(56) **References Cited**  
U.S. PATENT DOCUMENTS  
4,380,293 A \* 4/1983 Wilcox ..... B65D 1/36  
206/214  
5,114,007 A \* 5/1992 Chen ..... B25H 3/028  
206/373  
5,145,064 A \* 9/1992 Chen ..... B25H 3/023  
206/372  
D343,063 S \* 1/1994 Chen ..... D3/282  
D392,463 S \* 3/1998 Grey ..... D3/319  
D395,166 S \* 6/1998 Grey ..... D3/319  
5,826,719 A \* 10/1998 Chen ..... B25H 3/028  
206/373

**1 Claim, 6 Drawing Sheets**



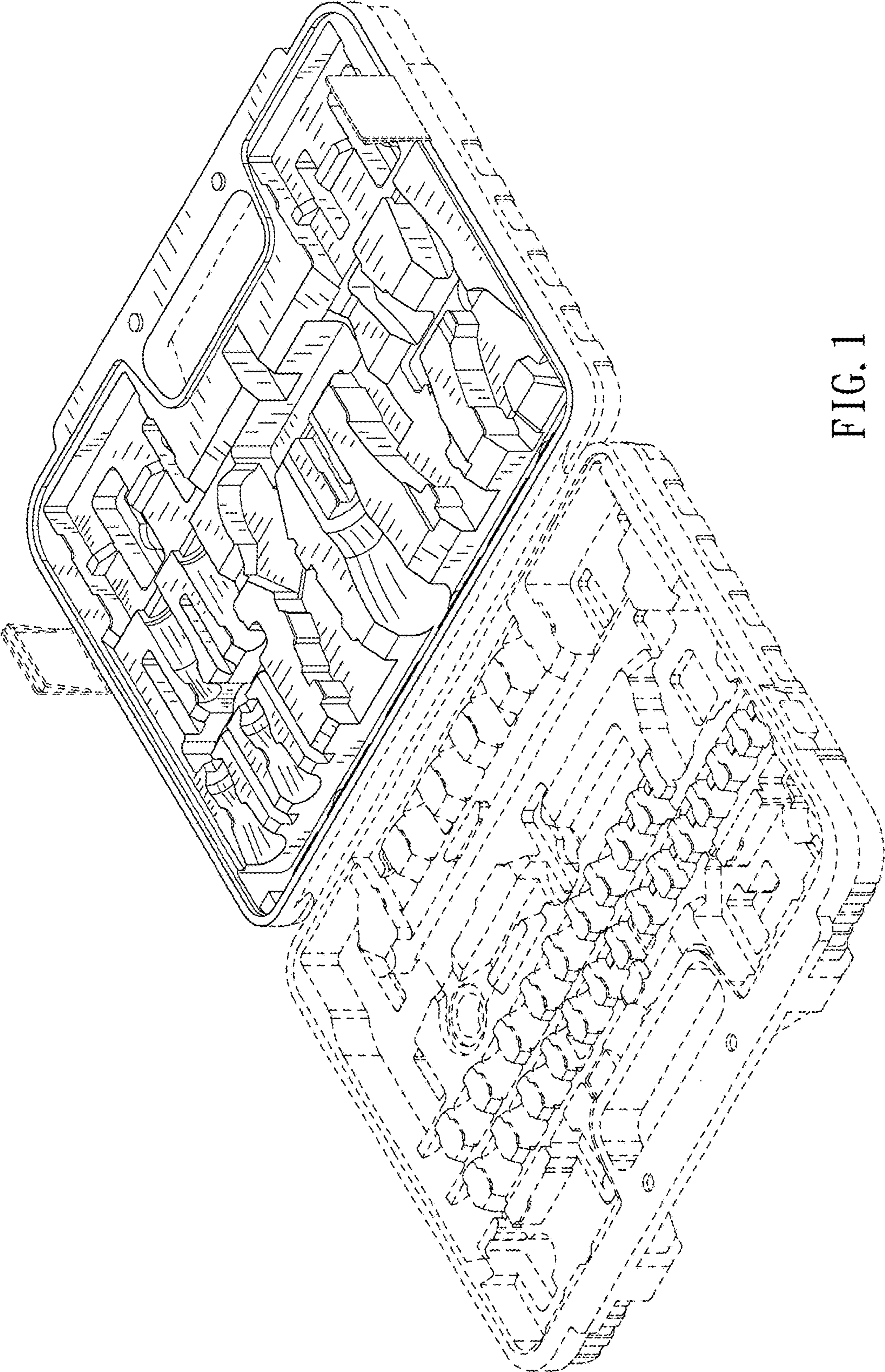


FIG. 1

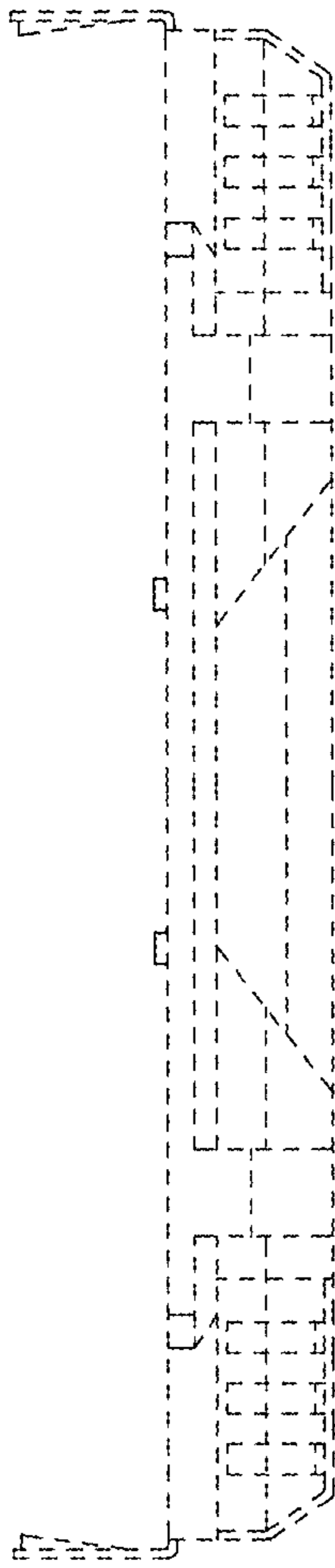


FIG. 2

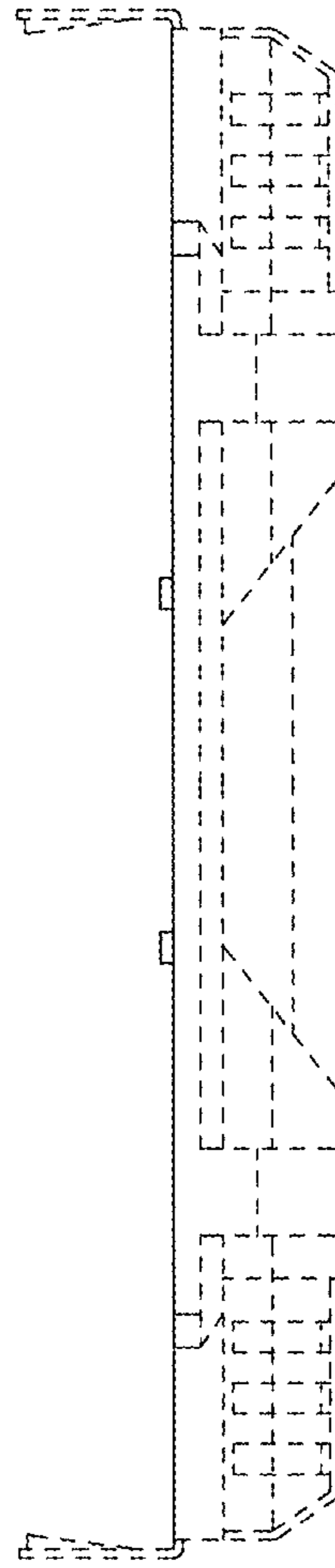


FIG. 3

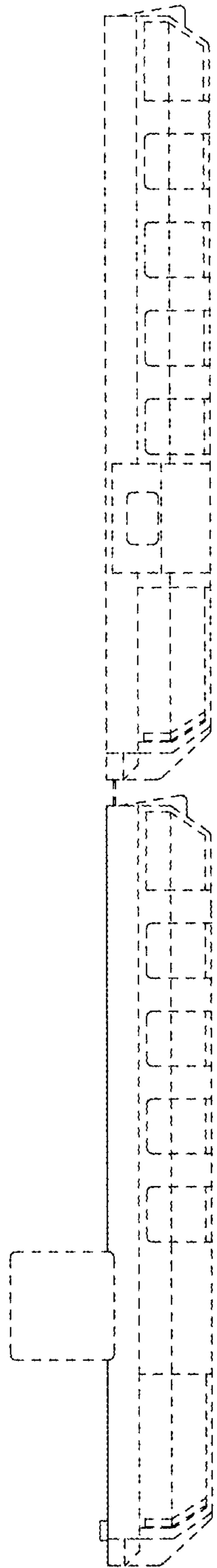


FIG. 4

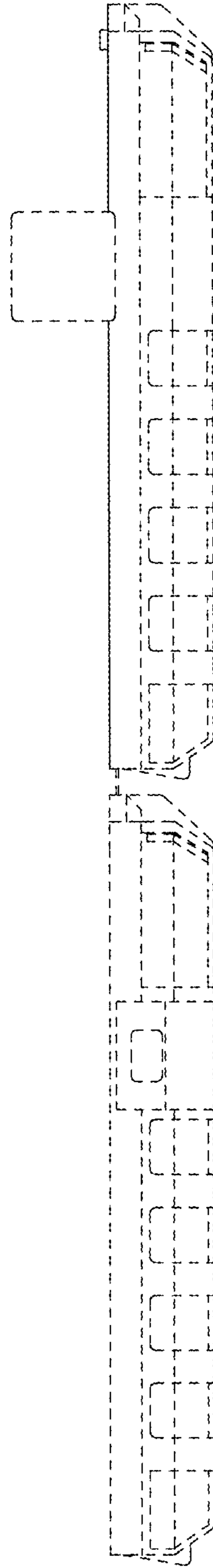


FIG. 5

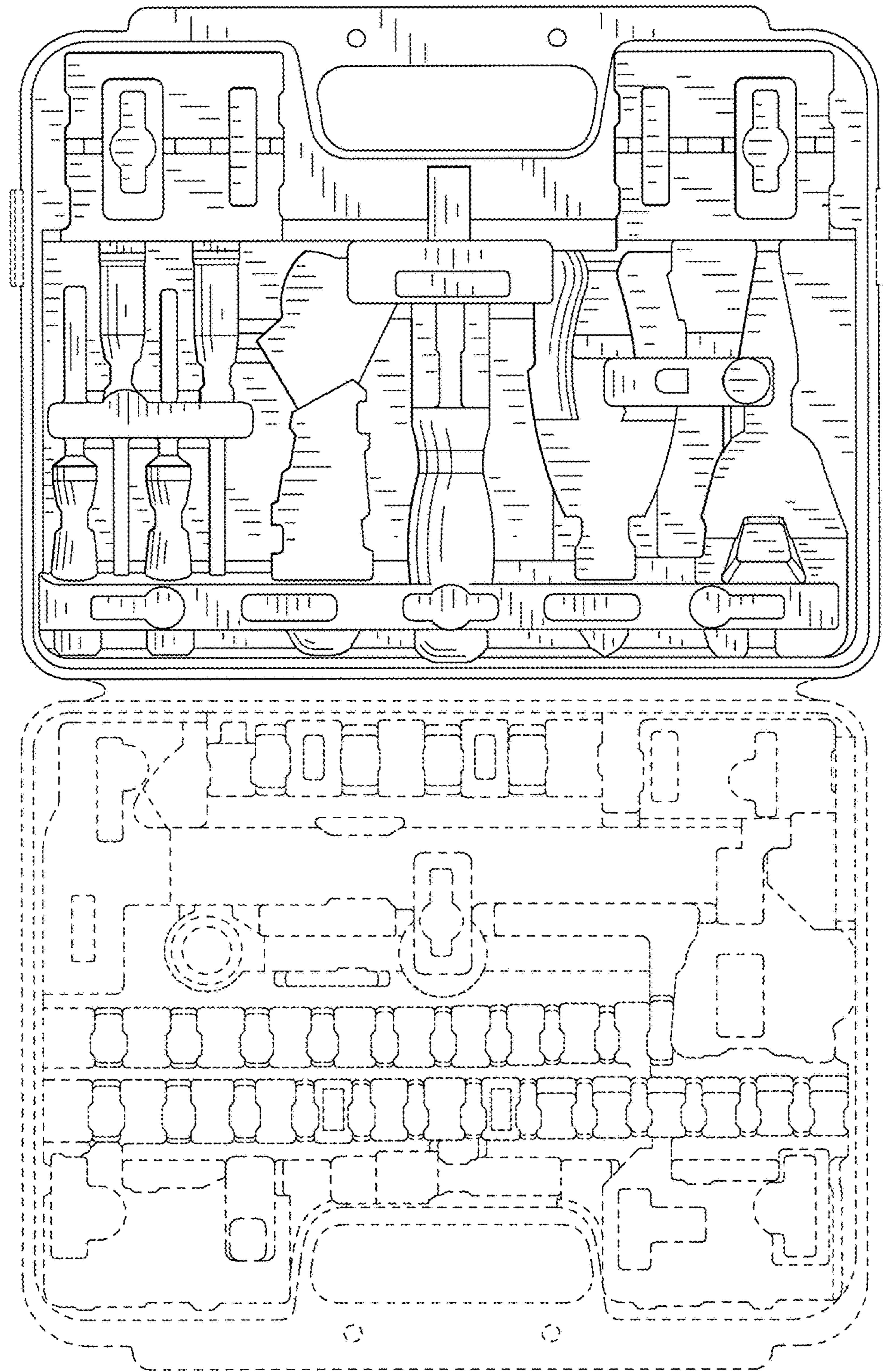


FIG. 6

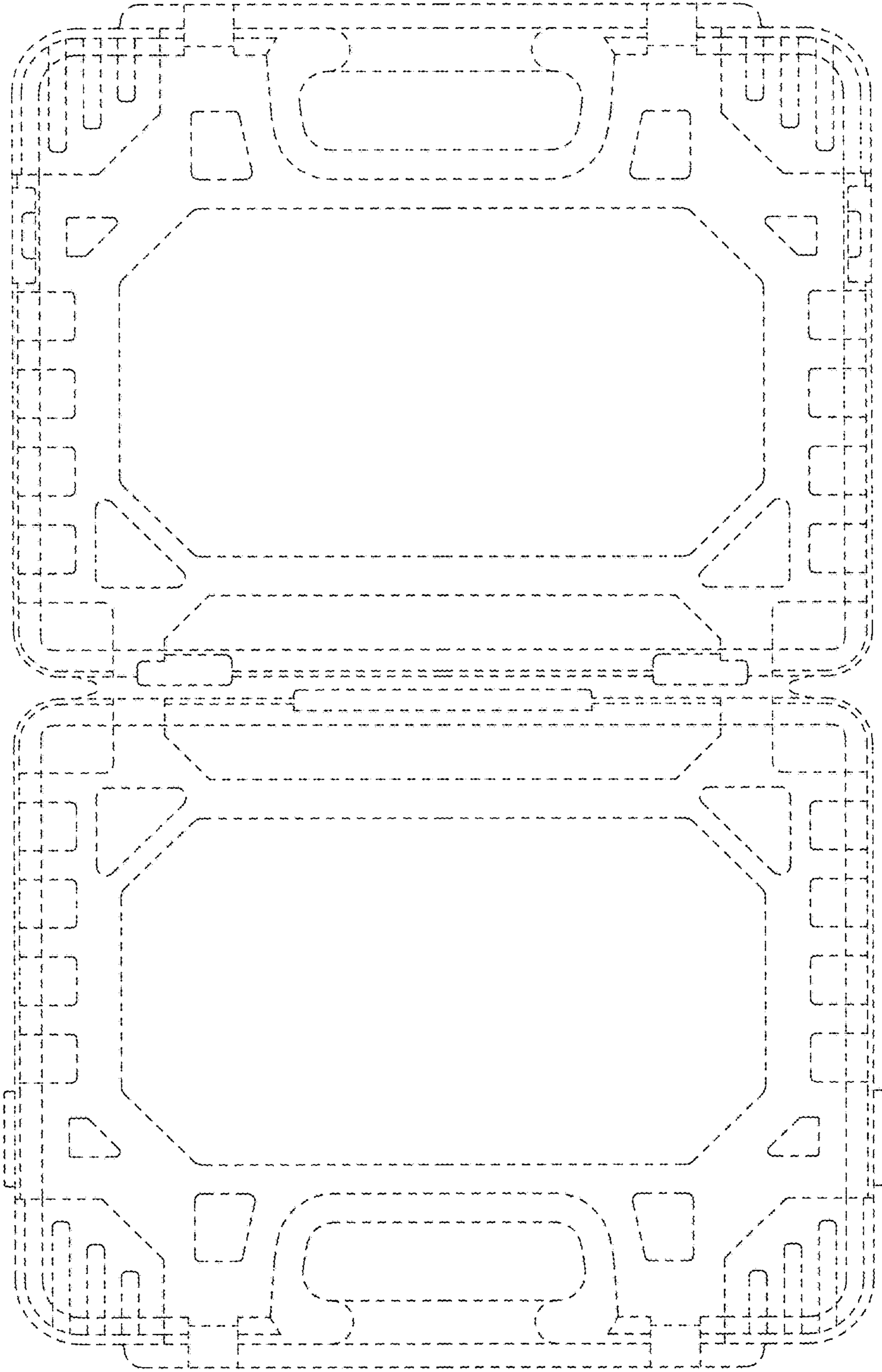


FIG. 7

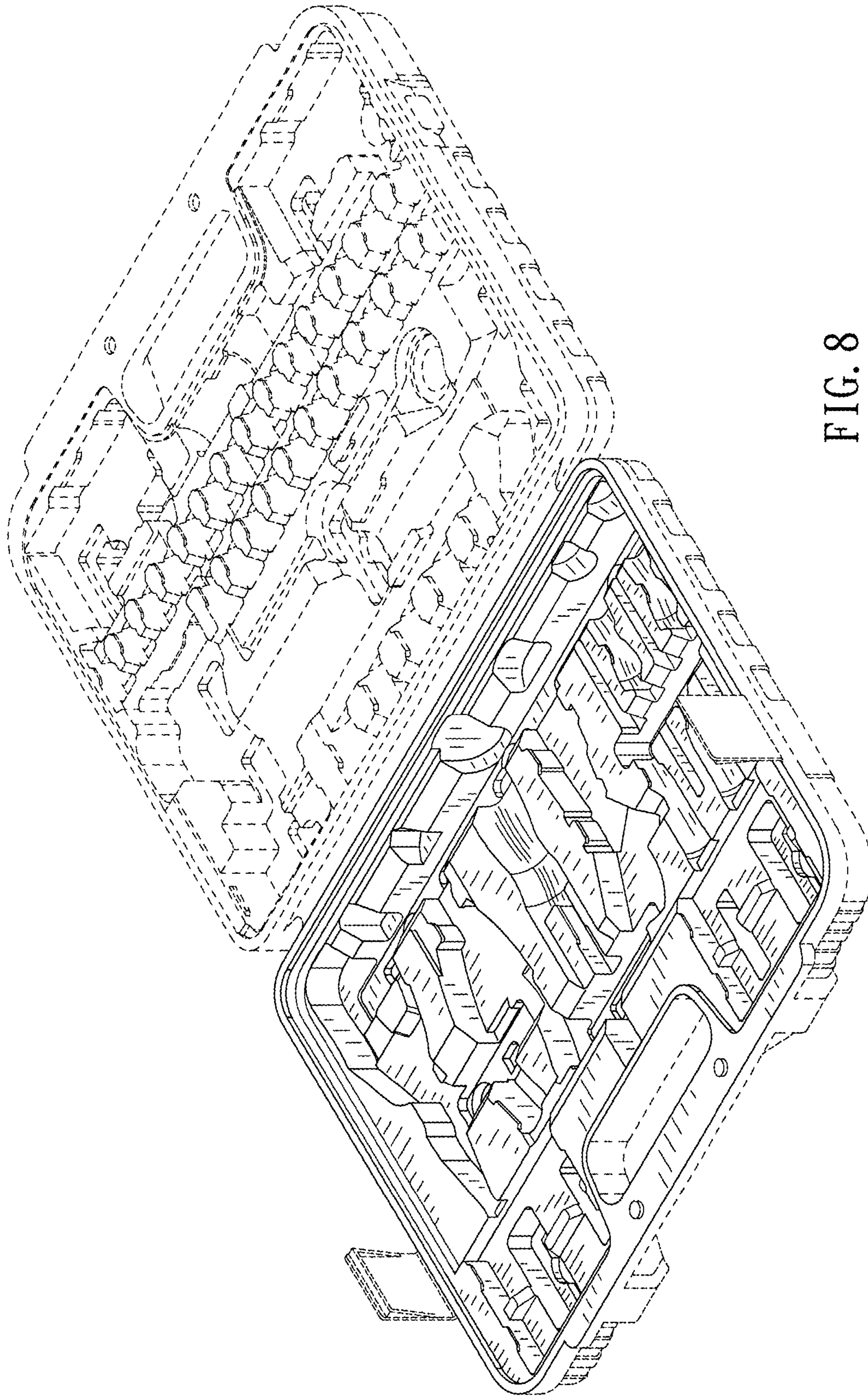


FIG. 8