



US00D838984S

(12) **United States Design Patent** (10) **Patent No.:** **US D838,984 S**
Seiders et al. (45) **Date of Patent:** **** Jan. 29, 2019**

(54) **CONTAINER**

FOREIGN PATENT DOCUMENTS

(71) Applicant: **YETI Coolers, LLC**, Austin, TX (US)

CA 77273 A 9/1902
CH 365631 A 11/1962

(72) Inventors: **Roy Joseph Seiders**, Rollingwood, TX (US); **Steve Charles Nichols**, Austin, TX (US); **Kyle Ellison**, Austin, TX (US); **Andy Bondhus**, Austin, TX (US); **Tobias Hotchkiss**, Austin, TX (US); **Liza Morris**, Austin, TX (US); **Dennis Zuck**, Austin, TX (US); **Ryan Nixon**, Austin, TX (US)

(Continued)

OTHER PUBLICATIONS

(73) Assignee: **YETI Coolers, LLC**, Austin, TX (US)

Pelican Elite 50 Quart Cooler, available Nov. 9, 2016, [online], [site visited Mar. 31, 2018]. Available from internet, <URL: https://www.amazon.com/Pelican-Elite-Quart-Cooler-White/product-reviews/B01G7KG5PA/ref=cm_cr_getr_d_paging_btm_5?ie=UTF8&reviewerType=all_reviews&sortBy=recent&pageNumber=5> (Year:2016).

(**) Term: **15 Years**

(Continued)

(21) Appl. No.: **29/607,321**

Primary Examiner — Holly H Baynham

(22) Filed: **Jun. 12, 2017**

(74) *Attorney, Agent, or Firm* — Banner & Witcoff, Ltd.

(51) **LOC (11) Cl.** **03-01**

(57) **CLAIM**

(52) **U.S. Cl.**
USPC **D3/318**

The ornamental design for a container, as shown and described.

(58) **Field of Classification Search**
USPC D3/273, 285, 289, 294, 318
CPC .. B65D 21/0233; B65D 21/062; B65D 21/04;
B65D 21/02; A45C 13/36; A45C 5/14
See application file for complete search history.

DESCRIPTION

(56) **References Cited**

U.S. PATENT DOCUMENTS

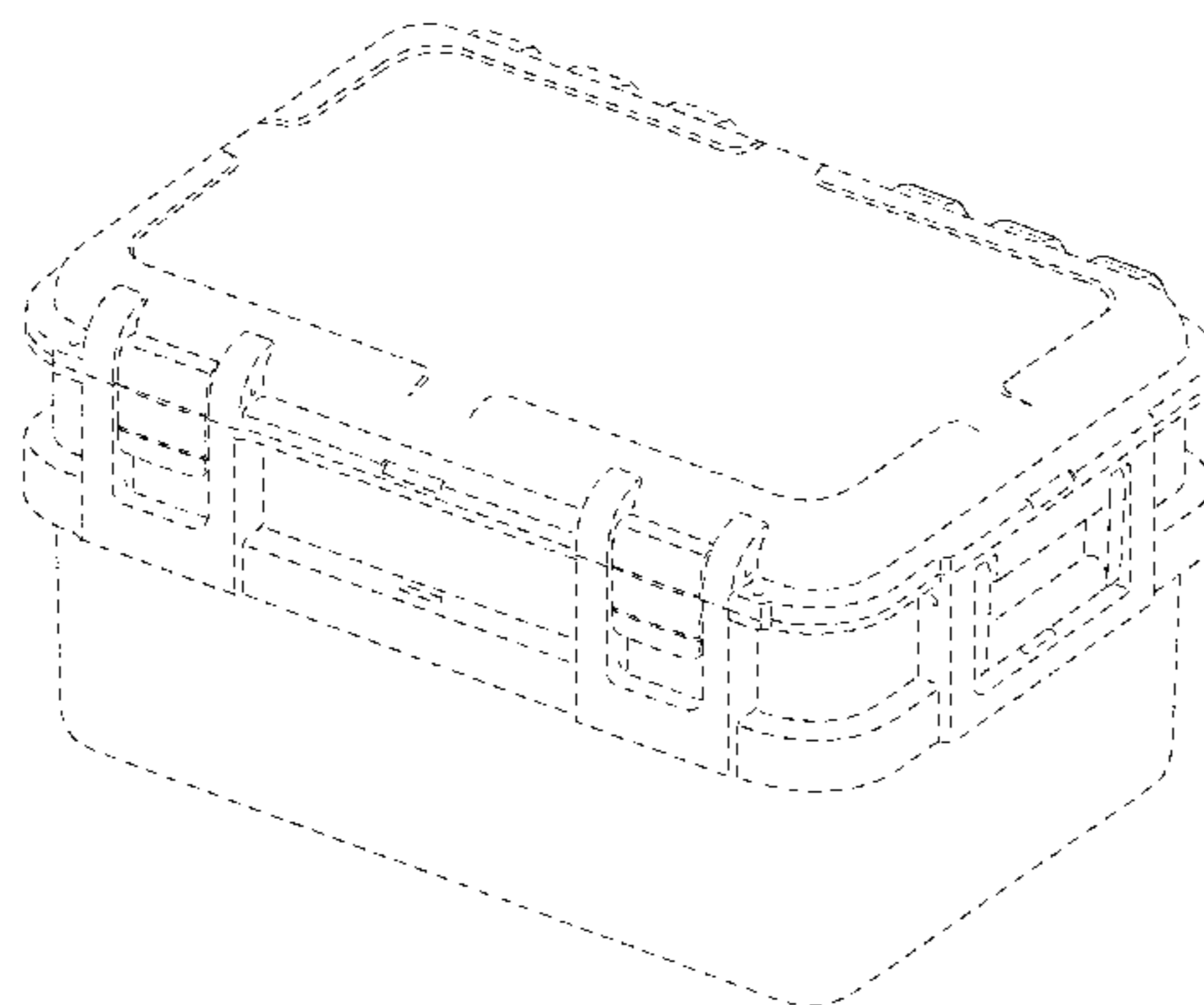
286,909 A 10/1883 Commander
2,101,337 A 12/1937 Komenak
2,109,928 A 3/1938 Passalaqua
2,647,653 A 8/1953 Dube
2,717,093 A 9/1955 Mautner
2,747,732 A 5/1956 Fischer
2,803,956 A 8/1957 Womer
2,869,909 A 1/1959 Harling
2,931,205 A 4/1960 Schmitz
2,936,189 A 5/1960 Pearson
3,191,244 A 6/1965 Burke

FIG. 1 is a top, front, right perspective view of a container showing our new design;
FIG. 2 is a top, rear, left perspective view thereof;
FIG. 3 is a front view thereof;
FIG. 4 is a rear view thereof;
FIG. 5 is a right side view thereof;
FIG. 6 is a left side view thereof;
FIG. 7 is a top view thereof; and,
FIG. 8 is a bottom view thereof.

The broken lines immediately adjacent to the shaded area represent unclaimed boundaries of the design. The uneven-length broken lines represent unclaimed boundaries of the claimed design. The even-length broken lines showing the remainder of the container represent unclaimed subject matter and form no part of the claimed design.

1 Claim, 8 Drawing Sheets

(Continued)



(56)

References Cited

U.S. PATENT DOCUMENTS

3,202,310 A	8/1965	Tibbets	5,718,350 A	2/1998	Williams
3,250,558 A	5/1966	McClintock	5,727,844 A	3/1998	O'Quinn et al.
3,259,412 A	7/1966	Wheeler	5,732,987 A	3/1998	Wright et al.
3,416,701 A	12/1968	Kramer et al.	5,755,311 A	5/1998	Younessian et al.
3,432,025 A	3/1969	Luhe	5,762,411 A	6/1998	Yemini
3,661,410 A	5/1972	Larson et al.	5,797,488 A	8/1998	Yemini
3,688,942 A	9/1972	Mitchell et al.	5,826,718 A	10/1998	Ahem, Jr. et al.
3,690,708 A	9/1972	Worley et al.	5,860,281 A	1/1999	Coffee et al.
3,741,433 A	6/1973	Bentley et al.	5,875,948 A	3/1999	Sadler
3,847,423 A	11/1974	Gley	5,887,745 A	3/1999	Wood
3,902,628 A	9/1975	Schurman	5,901,571 A	5/1999	Whaley
4,116,479 A	9/1978	Poe	5,904,269 A	5/1999	Wolff
4,153,178 A	5/1979	Weavers	5,934,716 A	8/1999	Koveal et al.
D257,218 S	10/1980	Eriksson	5,950,368 A	9/1999	Bradford
4,249,760 A	2/1981	Conley	5,957,321 A	9/1999	Jones
4,446,705 A	5/1984	Loucks	D414,673 S	10/1999	Dickinson et al.
4,476,988 A	10/1984	Tanner	5,971,218 A	10/1999	Le
4,592,482 A	6/1986	Seager	5,975,334 A	11/1999	Mayo
4,662,188 A	5/1987	Hullihan	5,984,382 A	11/1999	Bourne et al.
4,746,008 A	5/1988	Heverly et al.	5,988,658 A	11/1999	Ritchie et al.
4,768,815 A	9/1988	Harmon	D419,767 S *	2/2000	Richardson D3/273
4,899,904 A	2/1990	Dooley et al.	D419,768 S *	2/2000	Richardson D3/273
4,904,007 A	2/1990	Woodruff	6,079,754 A	6/2000	Alexy
4,917,261 A	4/1990	Borst	D427,882 S	7/2000	Wytcherley et al.
4,930,649 A *	6/1990	Moser B65F 1/1646 220/771	6,105,767 A	8/2000	Vasudeva
4,975,073 A	12/1990	Weisman	6,129,231 A	10/2000	Hsiao et al.
4,982,863 A	1/1991	Skillius	6,152,501 A	11/2000	Magi et al.
5,024,471 A	6/1991	Kahl et al.	D435,780 S	1/2001	Tieu
5,040,834 A	8/1991	Kahl et al.	6,176,559 B1	1/2001	Tiramani et al.
5,044,513 A	9/1991	Van Berne	D441,954 S	5/2001	Parker
5,080,250 A	1/1992	Dickinson et al.	6,244,064 B1	6/2001	Powell et al.
5,111,920 A	5/1992	Castelli et al.	6,244,066 B1	6/2001	LaRose
5,153,561 A	10/1992	Johnson	6,244,458 B1	6/2001	Frysinger et al.
5,169,018 A	12/1992	Fiore	6,279,971 B1	8/2001	Dessenberger, Jr.
D333,775 S	3/1993	Krape	6,289,684 B1	9/2001	Guidry, II et al.
5,205,413 A	4/1993	Cautereels et al.	6,305,185 B1	10/2001	Sloan
5,213,381 A	5/1993	Anderson	D451,278 S *	12/2001	Cooper D3/294
5,216,905 A	6/1993	Sersch et al.	6,343,815 B1	2/2002	Poe
5,235,830 A	8/1993	Benge	D454,292 S	3/2002	Plummer et al.
D340,167 S	10/1993	Kahl	6,371,320 B2	4/2002	Sagol
D342,609 S	12/1993	Brightbill	6,398,272 B1	6/2002	Plummer et al.
5,269,157 A	12/1993	Ciminelli et al.	6,422,386 B1	7/2002	Wiese et al.
5,313,817 A	5/1994	Meinders	6,427,501 B2	8/2002	Ramsauer
5,319,937 A	6/1994	Fritsch et al.	D462,519 S	9/2002	Gaydos et al.
5,322,178 A	6/1994	Foos	6,446,382 B1	9/2002	Cloutier et al.
5,335,451 A	8/1994	Druzynski	D464,485 S *	10/2002	Sward D3/273
5,353,946 A	10/1994	Behrend	D467,425 S	12/2002	Hardigg et al.
5,373,708 A	12/1994	Dumoulin, Jr.	D467,426 S	12/2002	Hardigg et al.
5,390,811 A	2/1995	Ogino et al.	6,497,438 B1	12/2002	Holub et al.
5,427,308 A	6/1995	Swift et al.	D471,711 S	3/2003	Addison
5,435,256 A	7/1995	Svehaug	6,527,309 B1	3/2003	Gaydos et al.
D361,888 S	9/1995	Kahl et al.	6,547,289 B1	4/2003	Greenheck et al.
D364,426 S	11/1995	Bucaccio	6,554,327 B1	4/2003	Riley
5,465,985 A	11/1995	Devan et al.	6,574,983 B2	6/2003	Smith et al.
D367,360 S	2/1996	Wolff	6,585,090 B2	7/2003	Harvey
D368,161 S	3/1996	Miller	D482,593 S	11/2003	Wolf
D369,342 S	4/1996	Williams	6,640,397 B1	11/2003	Gipson
D369,695 S	5/1996	Imotani	6,658,903 B1	12/2003	McShane et al.
5,518,139 A	5/1996	Trower et al.	6,691,451 B1	2/2004	Keenan
D370,619 S	6/1996	Hall et al.	6,736,265 B2	5/2004	Kipper et al.
5,526,953 A	6/1996	Chieng	D490,980 S *	6/2004	Concari D3/318
5,564,805 A	10/1996	Dickinson	D491,797 S	6/2004	Eriksson
5,570,915 A	11/1996	Asadurian	6,755,448 B2	6/2004	Jackson et al.
5,620,212 A	4/1997	Bourne et al.	D493,286 S *	7/2004	Concari D3/318
5,620,213 A	4/1997	Ellis	6,761,366 B1	7/2004	Klemmensen et al.
5,626,373 A	5/1997	Chambers et al.	6,779,681 B2	8/2004	Doerfler et al.
5,630,630 A	5/1997	Price et al.	6,789,692 B2 *	9/2004	Prezelin B65D 45/20 190/119
D380,369 S	7/1997	Antonucci	6,793,096 B1	9/2004	Seok
D381,512 S	7/1997	Green	6,895,789 B2	5/2005	Masseth, Jr. et al.
D382,114 S *	8/1997	Dickinson D3/273	6,929,145 B2	8/2005	Shepler
D383,306 S *	9/1997	Pennoyer D3/294	6,955,381 B2	10/2005	Parker et al.
5,683,097 A	11/1997	Fenton et al.	6,981,780 B2	1/2006	Einav
5,688,001 A	11/1997	Klein et al.	6,983,946 B2	1/2006	Sullivan et al.
5,704,158 A	1/1998	Whiteaker	7,017,740 B2	3/2006	Itzkovitch
			7,040,115 B1	5/2006	Lopez et al.
			D523,242 S	6/2006	Hardigg et al.
			D525,714 S	7/2006	Ueda
			D540,651 S	4/2007	Wolf

(56)

References Cited

U.S. PATENT DOCUMENTS

D540,652 S	4/2007	Wolf	D699,100 S	2/2014	Moreau et al.
7,246,718 B2	7/2007	Einav et al.	8,677,661 B2	3/2014	Michels et al.
D552,352 S	10/2007	Lin	8,678,227 B2	3/2014	Patstone
7,284,763 B1	10/2007	King	D701,697 S	4/2014	Sabbag et al.
D555,902 S	11/2007	Pendergraph et al.	8,714,568 B2	5/2014	Allam et al.
7,296,434 B2	11/2007	Scroggs	8,740,010 B1	6/2014	Page
7,306,243 B2	12/2007	Van Horn et al.	8,763,848 B2	7/2014	Carey
7,309,106 B2	12/2007	Stallman	8,763,851 B2	7/2014	Jiang et al.
7,334,680 B2	2/2008	Cunningham et al.	8,770,426 B2	7/2014	Arnett et al.
D566,479 S	4/2008	Kabalin	8,844,749 B2	9/2014	Manahan et al.
7,370,891 B1	5/2008	Schmitt et al.	8,851,282 B2	10/2014	Brunner
7,397,674 B2	7/2008	Schlack	8,863,975 B2	10/2014	McCanless
7,415,794 B1	8/2008	Thompson	8,864,185 B2	10/2014	Do
D578,758 S	10/2008	Stevens et al.	8,864,189 B2	10/2014	Fournie et al.
D579,202 S	10/2008	Grenier et al.	D717,152 S	11/2014	Weinerman et al.
7,434,410 B2	10/2008	Ford	8,875,877 B2	11/2014	Cottle et al.
7,458,481 B2	12/2008	Yuen	8,875,888 B2	11/2014	Koenig et al.
7,461,871 B2	12/2008	Vauchel	8,875,934 B2	11/2014	Deka
D590,694 S	4/2009	Stuckey	8,881,930 B2	11/2014	Banik
7,516,842 B2	4/2009	Gu	8,887,515 B2	11/2014	Patstone
7,530,405 B2	5/2009	Kollath et al.	8,910,788 B2	12/2014	Roach et al.
7,540,364 B2	6/2009	Sanderson	8,910,819 B2	12/2014	Seiders
7,568,739 B2	8/2009	Lee	8,919,596 B2	12/2014	Carino
7,571,915 B1	8/2009	Simmons	D720,599 S	1/2015	Weinerman et al.
7,581,656 B2	9/2009	Gnepper et al.	8,925,752 B2	1/2015	Smith
7,604,290 B1	10/2009	Giordano	D722,860 S	2/2015	Linares
7,607,540 B2	10/2009	Ballard	8,944,476 B1	2/2015	Henderson
7,688,584 B1	3/2010	Becklin	8,960,430 B2	2/2015	Roach et al.
7,722,204 B1	5/2010	Sandberg	8,960,735 B2	2/2015	Michael et al.
7,735,261 B2	6/2010	Sellati	8,979,100 B2	3/2015	Bensman et al.
7,748,232 B2	7/2010	Kang	8,979,101 B2	3/2015	Primiano
D624,315 S	9/2010	Amatrudo	8,979,144 B2	3/2015	Paugh et al.
7,806,287 B2	10/2010	Rouns	8,985,326 B2	3/2015	Halsne et al.
7,854,321 B2	12/2010	Twig et al.	9,004,274 B2	4/2015	Thornberg
7,861,552 B1	1/2011	Hughes	9,004,548 B2	4/2015	Joret et al.
D635,366 S *	4/2011	Luburic D3/318	9,027,751 B2	5/2015	Lee
7,937,884 B1	5/2011	Naylor et al.	D730,716 S	6/2015	Weinerman et al.
7,959,194 B2	6/2011	Mahoney	D731,250 S	6/2015	Butler et al.
8,016,153 B2	9/2011	Boenig et al.	D732,923 S	6/2015	Rechberg et al.
D646,528 S	10/2011	Stallman et al.	9,045,264 B2	6/2015	Pils
D650,585 S	12/2011	Jamison et al.	9,067,081 B2	6/2015	Roach et al.
8,091,731 B2	1/2012	Kidd et al.	9,085,403 B2	7/2015	Roach et al.
8,096,152 B2	1/2012	Ivagh et al.	9,108,772 B2	8/2015	Hovatter
8,167,166 B2	5/2012	Kidd et al.	9,114,909 B2	8/2015	Wagner
8,176,749 B2	5/2012	LaMere et al.	D738,702 S	9/2015	Linares
D665,166 S	8/2012	Khalifa et al.	9,163,871 B1	10/2015	Costello
8,245,868 B2	8/2012	Ikeda et al.	9,169,678 B2	10/2015	Rozema
8,251,245 B2	8/2012	DiPietro et al.	9,187,210 B2	11/2015	Zhu et al.
D667,697 S	9/2012	Shah	9,193,060 B2	11/2015	Ben-Gigi
8,286,828 B2	10/2012	Schafer	9,199,370 B2	12/2015	Crull
8,287,009 B2	10/2012	Dane et al.	9,199,657 B2	12/2015	Martin
8,297,464 B2	10/2012	Grenier et al.	9,211,040 B2	12/2015	Lane
8,328,247 B2	12/2012	Tonelli	D747,639 S	1/2016	Linares
8,336,708 B2	12/2012	Potterfield et al.	D747,950 S	1/2016	Jacobsen et al.
8,342,580 B2	1/2013	Cowie et al.	D747,951 S	1/2016	Jacobsen et al.
8,378,323 B1	2/2013	Spann et al.	9,233,465 B2	1/2016	Lai
8,382,171 B2	2/2013	Williams	D748,452 S	2/2016	Jacobsen et al.
D678,749 S	3/2013	Tung	9,248,566 B2	2/2016	Horiyama et al.
D678,750 S	3/2013	Tung	9,259,090 B1	2/2016	Cronin
8,424,930 B2	4/2013	Matsubara et al.	9,259,593 B2	2/2016	Roach et al.
8,459,495 B2	6/2013	Koenig et al.	D750,953 S	3/2016	Jacobsen et al.
8,490,413 B2	7/2013	Blackway et al.	9,272,820 B2	3/2016	Cowie
8,496,133 B2	7/2013	Mizukoshi et al.	9,278,704 B2	3/2016	Cates
8,505,729 B2	8/2013	Sosnovsky et al.	9,290,297 B2	3/2016	Overath
8,517,211 B2	8/2013	Brown et al.	9,307,840 B2	4/2016	Restrepo et al.
D688,920 S *	9/2013	Manley D7/629	9,322,192 B2	4/2016	Burd
8,544,648 B2	10/2013	Cleveland et al.	9,327,887 B2	5/2016	Farentinos et al.
8,567,631 B2	10/2013	Brunner	9,340,224 B2	5/2016	Yoder et al.
8,567,796 B2	10/2013	Bar-Erez et al.	9,341,003 B2	5/2016	Ely et al.
8,573,399 B2	11/2013	Ulmer et al.	9,341,403 B2	5/2016	Conrad et al.
8,590,704 B2	11/2013	Koenig et al.	9,346,616 B2	5/2016	Foster
8,590,724 B2	11/2013	Kreidler et al.	9,359,798 B2	6/2016	Greenwood et al.
8,596,485 B2	12/2013	Lindsay	9,387,963 B2	7/2016	McBroom et al.
8,596,487 B1	12/2013	Su	9,393,684 B2	7/2016	Christopher et al.
8,601,838 B2	12/2013	Hansen et al.	9,415,787 B2	8/2016	Mericle
			D765,973 S	9/2016	Tonelli et al.
			9,435,578 B2	9/2016	Calderon et al.
			D768,464 S	10/2016	Hatton
			9,567,784 B2	2/2017	Defrance et al.

(56)

References Cited

U.S. PATENT DOCUMENTS

D807,123 S 1/2018 Carey et al.
 D807,124 S 1/2018 Carey et al.
 D808,653 S 1/2018 Rayeski et al.
 9,878,841 B2 1/2018 Holderness et al.
 D810,432 S 2/2018 Ballou et al.
 D810,433 S 2/2018 Ballou et al.
 D811,084 S 2/2018 Ballou et al.
 D811,742 S 3/2018 Ballou et al.
 D811,744 S 3/2018 Ballou et al.
 2002/0162841 A1 11/2002 Shamir et al.
 2002/0185871 A1 12/2002 Straka
 2002/0195827 A1 12/2002 Jackson et al.
 2003/0038142 A1 2/2003 Gee
 2003/0106821 A1 6/2003 Bar-Erez
 2004/0016854 A1 1/2004 Hart
 2004/0040967 A1 3/2004 Eiskant et al.
 2004/0178208 A1 9/2004 Leba et al.
 2004/0246695 A1 12/2004 Schlack
 2005/0099019 A1 5/2005 Hall et al.
 2005/0139741 A1 6/2005 Yuen
 2005/0150892 A1 7/2005 Miller
 2005/0199628 A1 9/2005 Van Handel et al.
 2005/0279123 A1 12/2005 Maldonado et al.
 2006/0017293 A1 1/2006 Tonelli
 2006/0042897 A1 3/2006 Sanderson
 2006/0049640 A1 3/2006 Lee
 2006/0249412 A1 11/2006 Hernandez et al.
 2006/0249522 A1 11/2006 Ringo
 2006/0276768 A1 12/2006 Miller et al.
 2007/0039957 A1 2/2007 Shulz et al.
 2007/0101754 A1 5/2007 Maldonado
 2007/0175898 A1 8/2007 Craft et al.
 2007/0235452 A1 10/2007 Killinger et al.
 2008/0001373 A1 1/2008 Vaughn
 2008/0029528 A1 2/2008 Mireault
 2008/0067095 A1 3/2008 Mueller
 2008/0067206 A1 3/2008 Kuhn
 2008/0110892 A1 5/2008 House
 2008/0116215 A1 5/2008 Chuang
 2008/0156858 A1 7/2008 Perry et al.
 2008/0170388 A1 7/2008 Greil
 2008/0190940 A1 8/2008 Scott
 2008/0245095 A1 10/2008 Schlipman et al.
 2008/0264946 A1 10/2008 Moschella et al.
 2009/0009039 A1 1/2009 Mayes, Jr.
 2009/0078593 A1 3/2009 Patstone
 2009/0114646 A1 5/2009 Whalen
 2009/0114653 A1 5/2009 Schenker
 2009/0158770 A1 6/2009 Cohrs et al.
 2009/0173744 A1 7/2009 Hassell
 2009/0277905 A1 11/2009 Gillan
 2010/0133132 A1 6/2010 Allan
 2010/0200784 A1 8/2010 Turner
 2010/0275642 A1 11/2010 Klettner
 2011/0114526 A1 5/2011 Neumann et al.
 2011/0119986 A1 5/2011 Sellers
 2011/0121002 A1 5/2011 Stiller
 2011/0127264 A1 6/2011 Whalen
 2011/0132046 A1 6/2011 Tonelli
 2011/0181008 A1 7/2011 Bensman et al.
 2011/0197625 A1 8/2011 Urban et al.
 2011/0203328 A1 8/2011 Vilkomirski et al.
 2011/0220531 A1 9/2011 Meether et al.
 2011/0226003 A1 9/2011 Chaney et al.
 2011/0226785 A1 9/2011 Sakell
 2012/0104012 A1 5/2012 Cowie et al.
 2012/0168444 A1 7/2012 Shitrit et al.
 2012/0193353 A1 8/2012 Cronin et al.
 2012/0273506 A1 11/2012 Adams et al.
 2012/0286489 A1 11/2012 Bartholomew
 2012/0312708 A1 12/2012 Roehm et al.
 2013/0175276 A1 7/2013 Gleichauf et al.
 2013/0248390 A1 9/2013 Roehm et al.
 2013/0307214 A1 11/2013 Groller et al.
 2014/0027454 A1 1/2014 Banik

2014/0062042 A1 3/2014 Wagner et al.
 2014/0069832 A1 3/2014 Roehm
 2014/0151388 A1 6/2014 Culeron et al.
 2014/0158028 A1 6/2014 Adams
 2014/0166516 A1 6/2014 Martinez et al.
 2014/0197059 A1 7/2014 Evans et al.
 2014/0251864 A1 9/2014 Voeller
 2014/0252010 A1 9/2014 Miller
 2014/0265197 A1 9/2014 Russell et al.
 2014/0311361 A1 10/2014 Wangler
 2014/0319147 A1 10/2014 Horovitz et al.
 2015/0034515 A1 2/2015 Monyak et al.
 2015/0069962 A1 3/2015 Dietzel et al.
 2015/0114024 A1 4/2015 Grepper
 2015/0129569 A1 5/2015 Miller
 2015/0209226 A1 7/2015 Priebe et al.
 2015/0233630 A1 8/2015 Bond
 2015/0292840 A1 10/2015 Tobin
 2015/0315532 A1 11/2015 Bergbohm et al.
 2015/0352709 A1 12/2015 Diamond
 2015/0375558 A1 12/2015 Ben-Or
 2015/0375918 A1 12/2015 Holderness et al.
 2016/0023837 A1 1/2016 Furneaux et al.
 2016/0046417 A1 2/2016 Kromer
 2016/0052682 A1 2/2016 Gunnerson et al.
 2016/0083186 A1 3/2016 Wright
 2016/0084454 A1 3/2016 Svitak, Sr. et al.
 2016/0091239 A1 3/2016 Beland
 2016/0138809 A1 5/2016 Colucci et al.
 2016/0244209 A1 8/2016 Hain
 2016/0251124 A1 9/2016 Arnold et al.
 2016/0279840 A1 9/2016 French et al.

FOREIGN PATENT DOCUMENTS

CN 2073459 U 3/1991
 CN 1112819 A 12/1995
 CN 2813823 Y 9/2006
 CN 203283617 U 11/2013
 CN 201530103483 8/2015
 CN 201530438676 2/2016
 CN 201530438792 2/2016
 CN 201630123602 8/2016
 DE 2020368 A1 11/1971
 DE 4042245 A1 7/1991
 DE 9408707 U1 9/1995
 DE 29516306 U1 2/1997
 DE 19755532 A1 6/1999
 DE 202004007996 U1 7/2004
 DE 102012025617 A1 10/2013
 DE 102013114520 A1 6/2015
 EM 002569467-0001 11/2014
 EM 002569467-0002 11/2014
 EM 002569467-0003 11/2014
 EM 002569467-0004 11/2014
 EP 0587451 A1 3/1994
 EP 0221215 B1 6/1995
 EP 1059239 A1 12/2000
 EP 1080656 A1 3/2001
 EP 2412493 A2 2/2012
 GB 854540 A 11/1960
 GB 2032814 A 5/1980
 GB 2045135 A 10/1980
 GB 2047073 A 11/1980
 GB 2278874 A 12/1994
 GB 2289713 B 12/1997
 GB 4037039 10/2014
 IN 266778 5/2015
 IN 266779-0001 5/2015
 IN 276720 2/2016
 JP S57-150175 U 9/1982
 JP S60-164570 A 8/1985
 JP H03-066374 U 6/1991
 JP H07-102842 A 4/1995
 JP H08-093298 A 4/1996
 JP 2001-107621 A 4/2001
 JP 2001-262907 A 9/2001
 JP D2001-10753 6/2002
 JP D2007-16058 5/2008

(56)

References Cited

FOREIGN PATENT DOCUMENTS

JP	D2007-16059	5/2008
KR	3020030024985	9/2003
KR	3020070008850	12/2007
TW	M310869 U	5/2007
WO	D035637-003	2/1996
WO	D036648-008	6/1996
WO	9748613 A1	12/1997
WO	02064445 A1	8/2002
WO	06019314 A1	2/2006
WO	09028960 A1	3/2009
WO	1135559 A1	3/2011
WO	11135559 A1	11/2011
WO	12000497 A1	1/2012
WO	15087357 A1	6/2015
WO	16072912 A1	5/2016
WO	16091570 A1	6/2016

OTHER PUBLICATIONS

Pelican Storm Waterproof Case, available Jul. 27, 2009, [online], [site visited Mar. 31, 2018]. Available from internet, <URL: https://www.amazon.com/dp/B002JB07D8?axitk=EqSpVoa9QpKAGqst7rmxMA&pd_rd_i=B002JB07D8&pf_rd_m=ATVPDKIKX0DER&pf (Year: 2009).

Outdoor Products Small Watertight Dry Box, Blue, available May 31, 2016, [online], [site visited Mar. 31, 2018]. Available from internet, <URL: <https://www.walmart.com/ip/Outdoor-Products-Small-Watertight-Dry-Box-Blue/26674162> (Year: 2016).

Sep. 20, 2018—(WO) International Search Report and Written Opinion—App. PCT/US2018/037100.

* cited by examiner

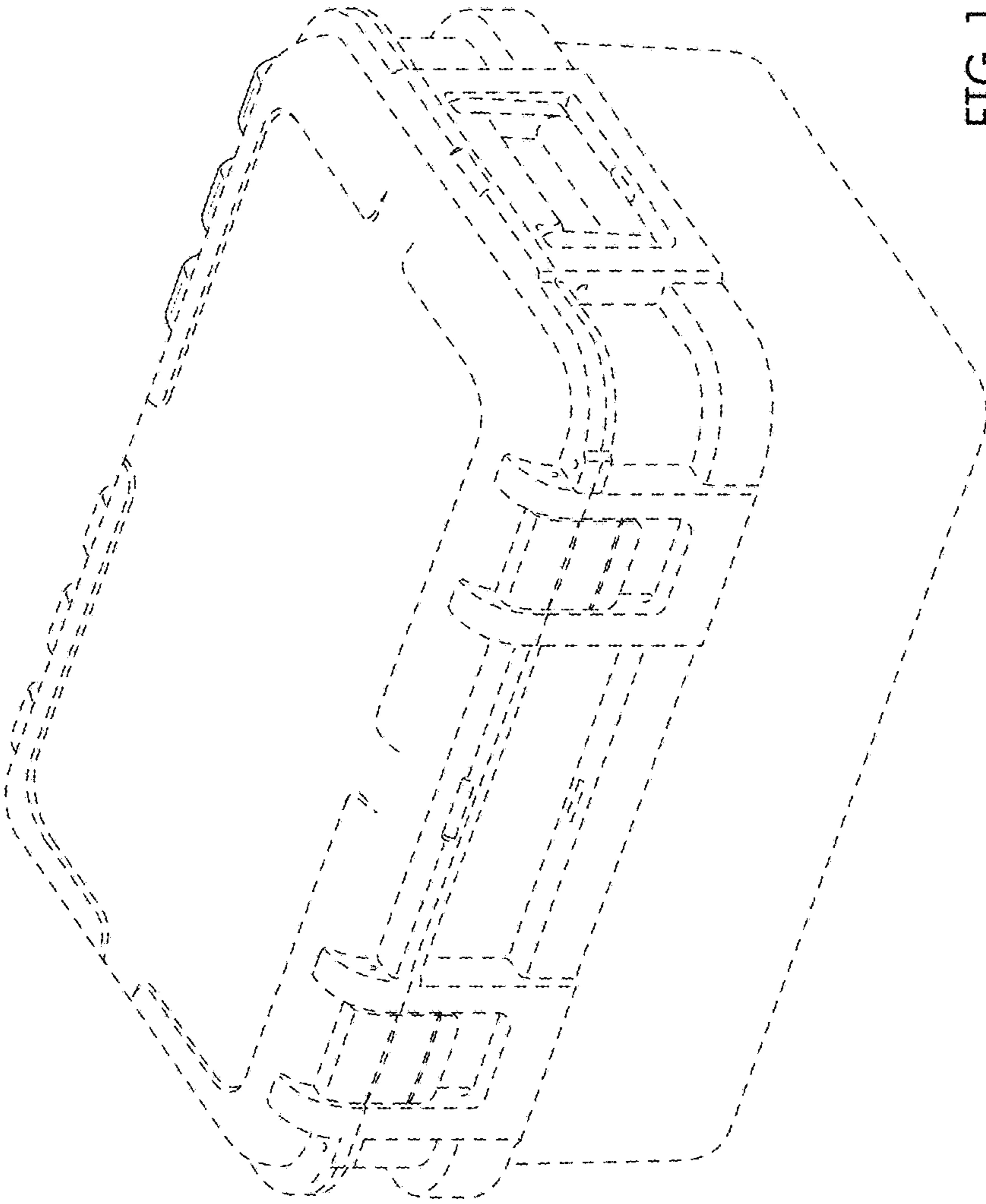


FIG. 1

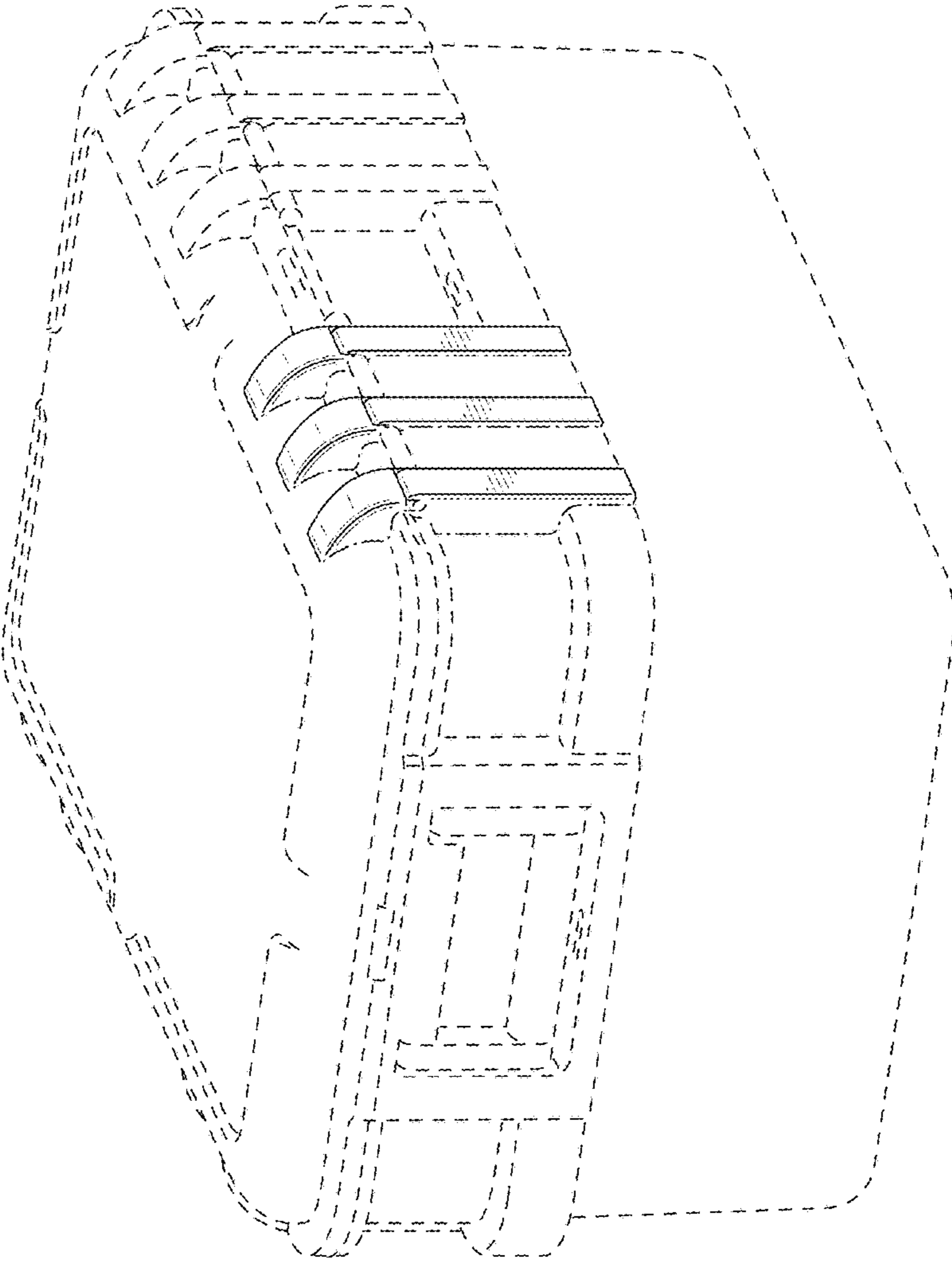


FIG. 2

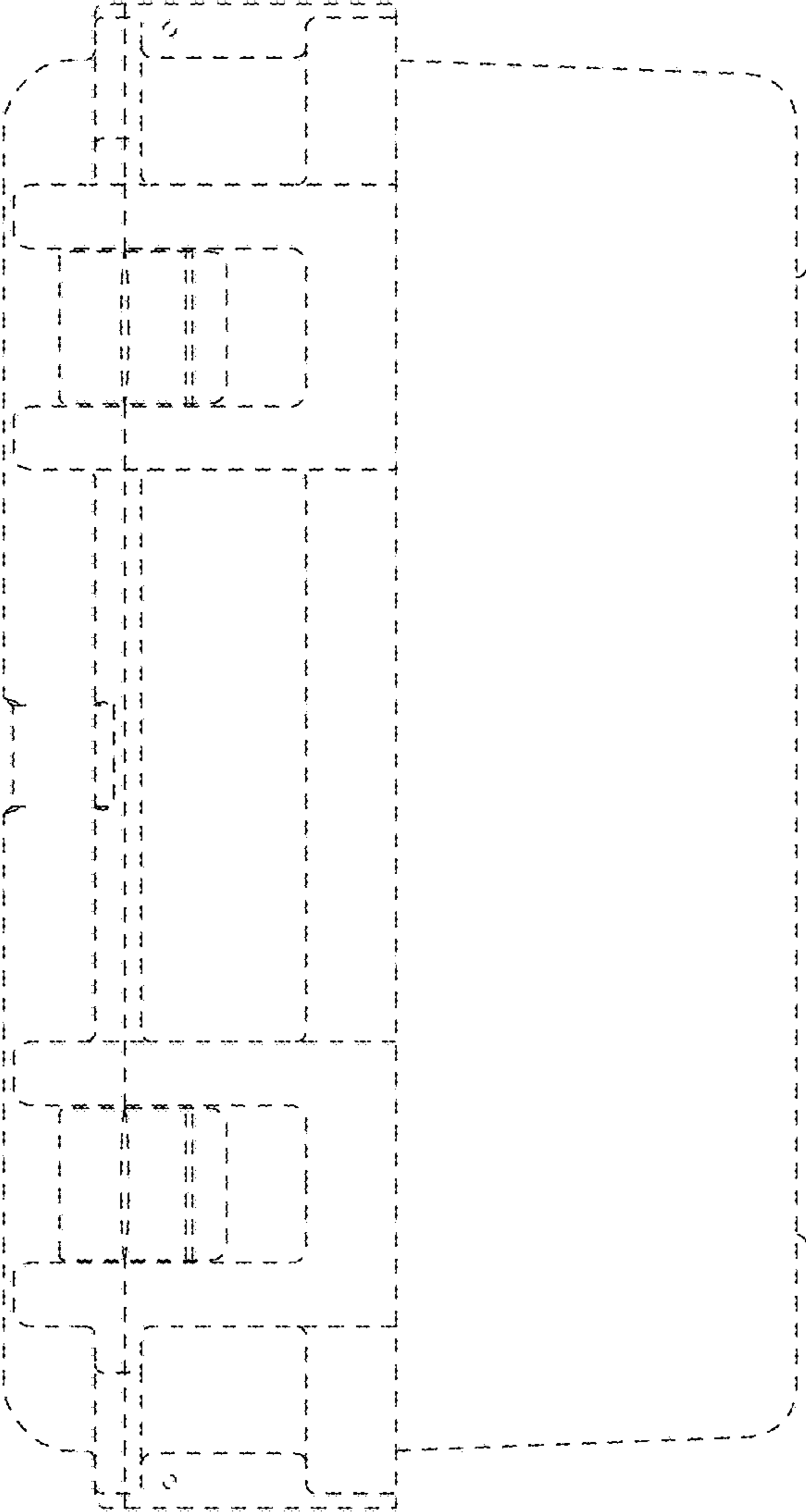


FIG. 3

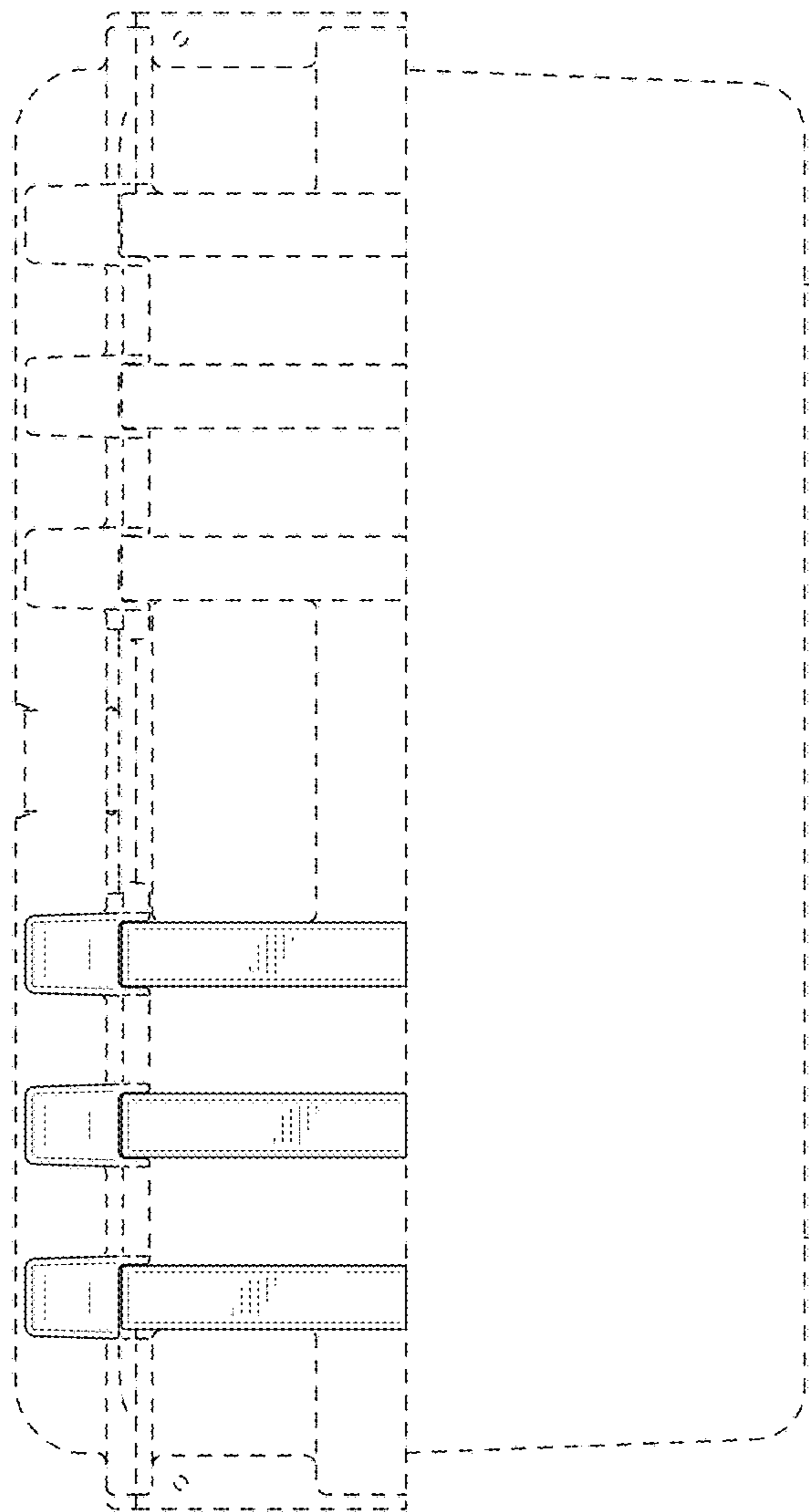


FIG. 4

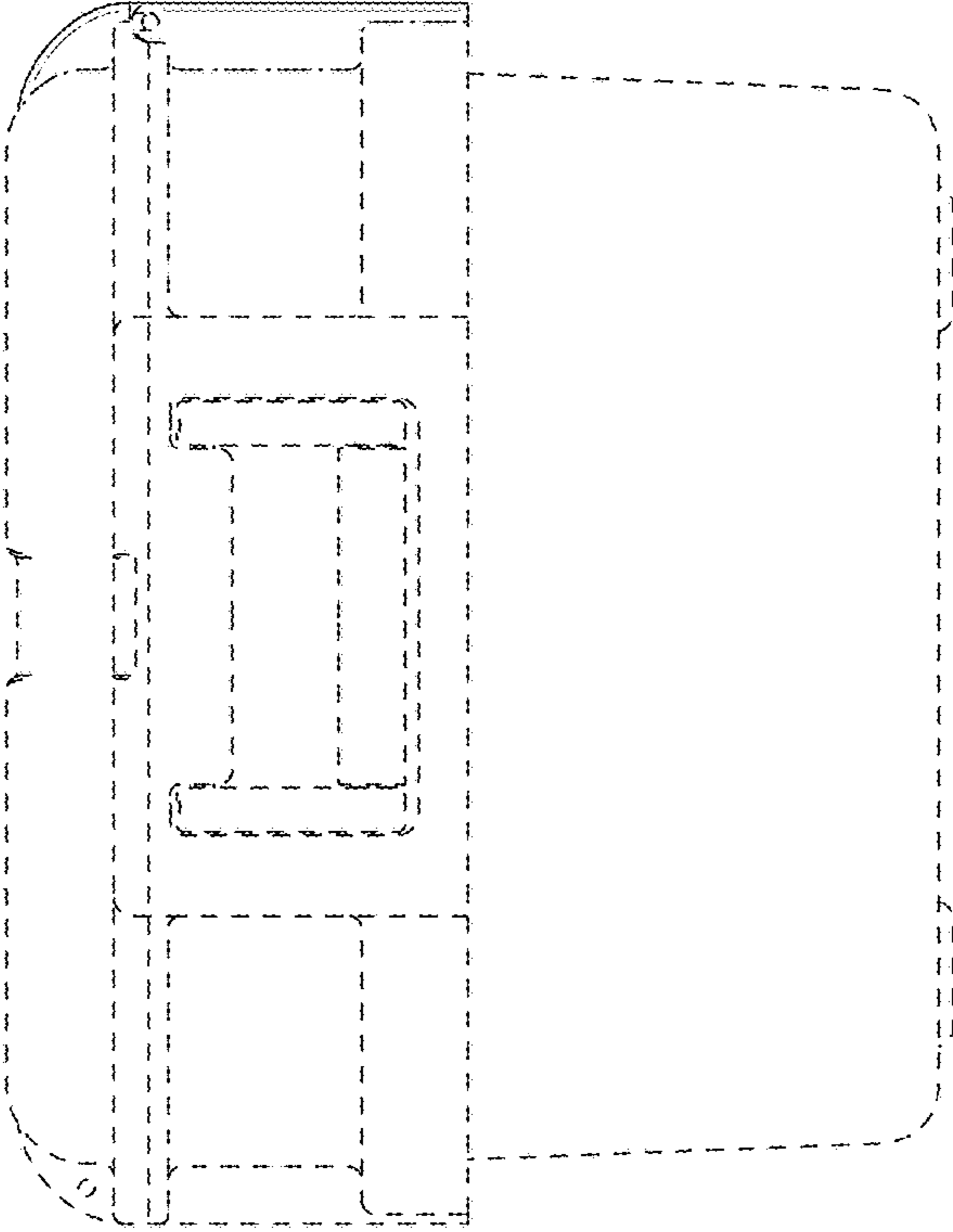


FIG. 5

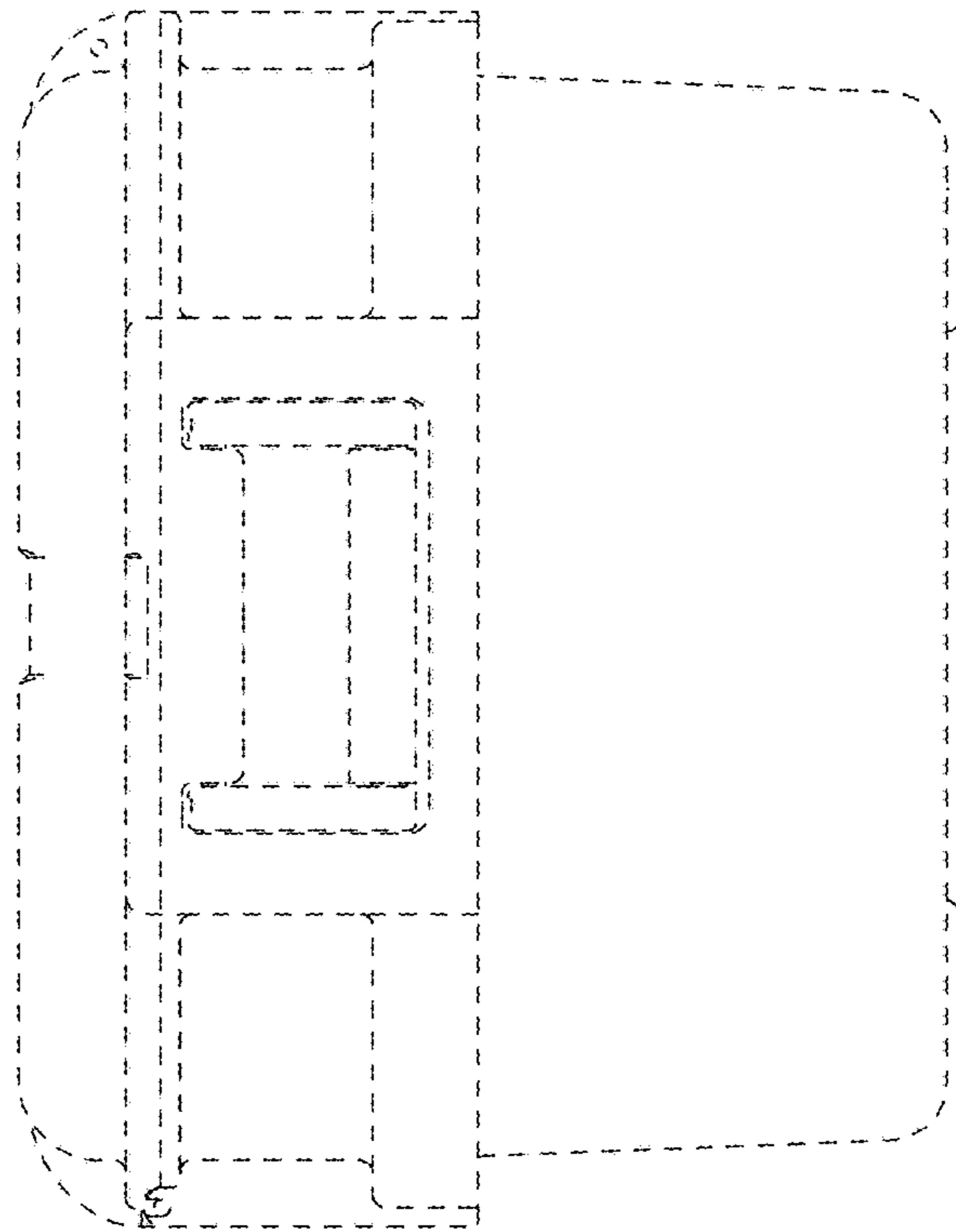


FIG. 6

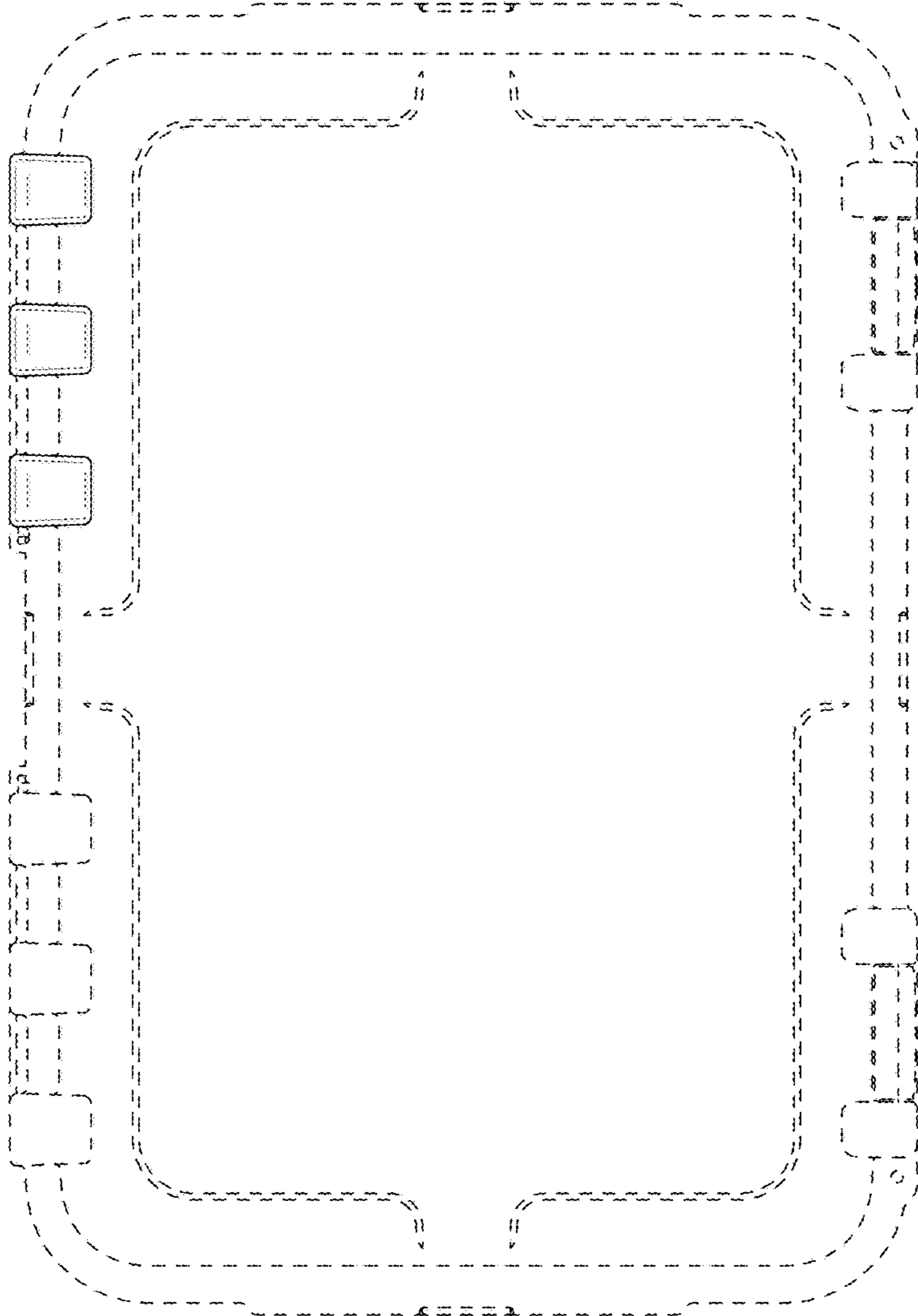


FIG. 7

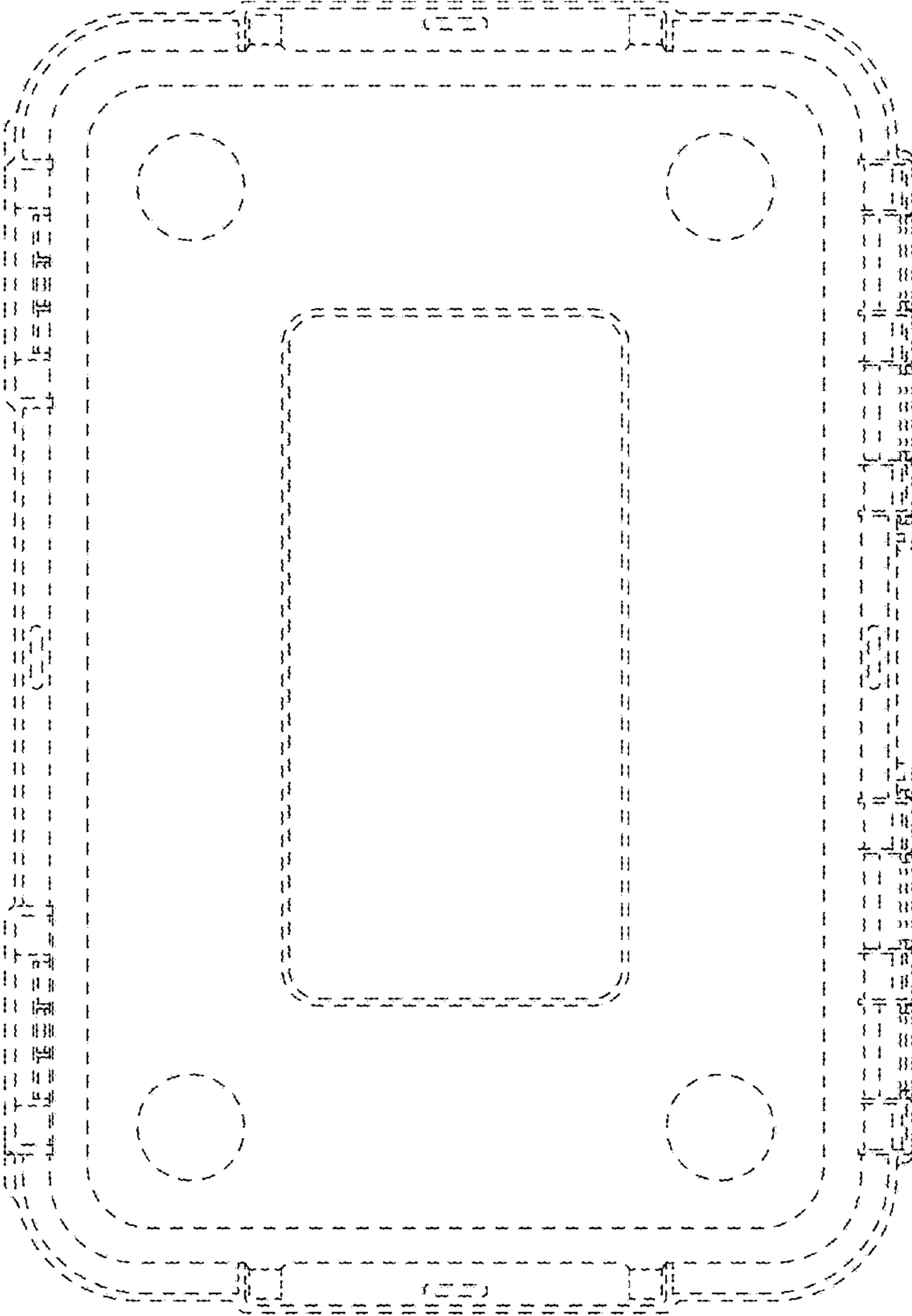


FIG. 8