



US00D838980S

(12) **United States Design Patent**
Wilson et al.

(10) **Patent No.:** **US D838,980 S**
(45) **Date of Patent:** **** Jan. 29, 2019**

(54) **BASKET**

(71) Applicant: **Spectrum Diversified Designs, LLC**,
Streetsboro, OH (US)

(72) Inventors: **Courtney Wilson**, Chardon, OH (US);
Aaron D. Goodman, Beachwood, OH (US)

(73) Assignee: **Spectrum Diversified Designs, LLC**,
Streetsboro, OH (US)

(**) Term: **15 Years**

(21) Appl. No.: **29/631,879**

(22) Filed: **Jan. 3, 2018**

(51) **LOC (11) Cl.** **03-01**

(52) **U.S. Cl.**
USPC **D3/306**

(58) **Field of Classification Search**
USPC D3/201, 304, 306-309, 314, 315;
D9/429; D19/75-77, 86, 92
CPC B65D 21/00; B65D 21/0209; B65D 1/38
See application file for complete search history.

(56) **References Cited**

U.S. PATENT DOCUMENTS

D342,854 S *	1/1994	Pentz	D6/552
D396,770 S *	8/1998	Hoernig	D6/566
D464,516 S *	10/2002	Snell	D6/525
D688,903 S	9/2013	Goodman et al.		
D698,186 S *	1/2014	Funchess	D6/552
D746,592 S	1/2016	Goodman et al.		
D757,457 S *	5/2016	Guindi	D6/513
D774,798 S *	12/2016	Goodman	D6/537
9,596,931 B1 *	3/2017	Nimgulkar	A47B 88/49
29,596,727	3/2017	Wilson et al.		
D784,698 S	4/2017	Goodman et al.		
D784,721 S	4/2017	Goodman et al.		

D786,557 S	5/2017	Goodman et al.		
D796,771 S *	9/2017	Bacallao	D34/27
D812,396 S *	3/2018	Wilson	D6/566
D814,189 S *	4/2018	Nimgulkar	D3/306

OTHER PUBLICATIONS

NCYP Rustic Vintage Irregular Entryway Wall Mounted Metal Wire Rack Mountable Handmade Weave Iron Mesh Organizer Storage Basket Hanging Holder Black [online], [retrieved on Dec. 22, 2017]. Retrieved from Internet, <URL: -https://ncypgarden.com/ncyp-rustic-vintage-irregular-entryway-wall-mounted-metal-wire-rack-mountable-handmade-weave-iron-mesh-organizer-storage-basket-hanging-holder-black_p0391.html>.

* cited by examiner

Primary Examiner — Kelley A Donnelly

(74) *Attorney, Agent, or Firm* — Renner, Otto, Boisselle and Sklar, LLP

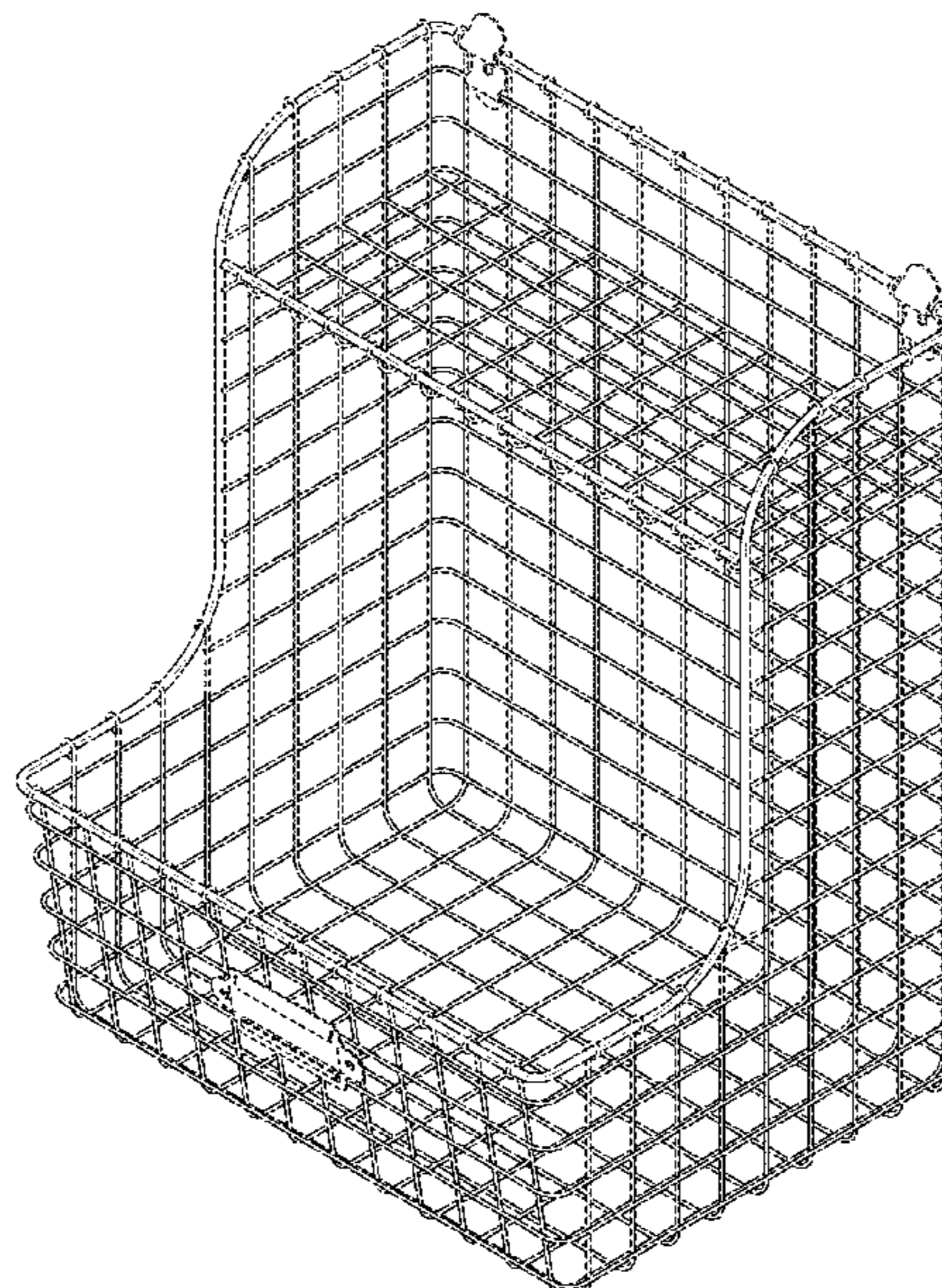
(57) **CLAIM**

The ornamental design for a basket, as shown and described.

DESCRIPTION

FIG. 1 is a top, right, front perspective view of a basket showing our new design;
FIG. 2 is a front elevation view thereof;
FIG. 3 is a rear elevation view thereof;
FIG. 4 is a right side elevation view thereof;
FIG. 5 is a left side elevation view thereof;
FIG. 6 is a bottom plan view thereof; and,
FIG. 7 is a top plan view thereof.
The broken line showing represents unclaimed portions of the article and forms no part of the claimed design.

1 Claim, 4 Drawing Sheets



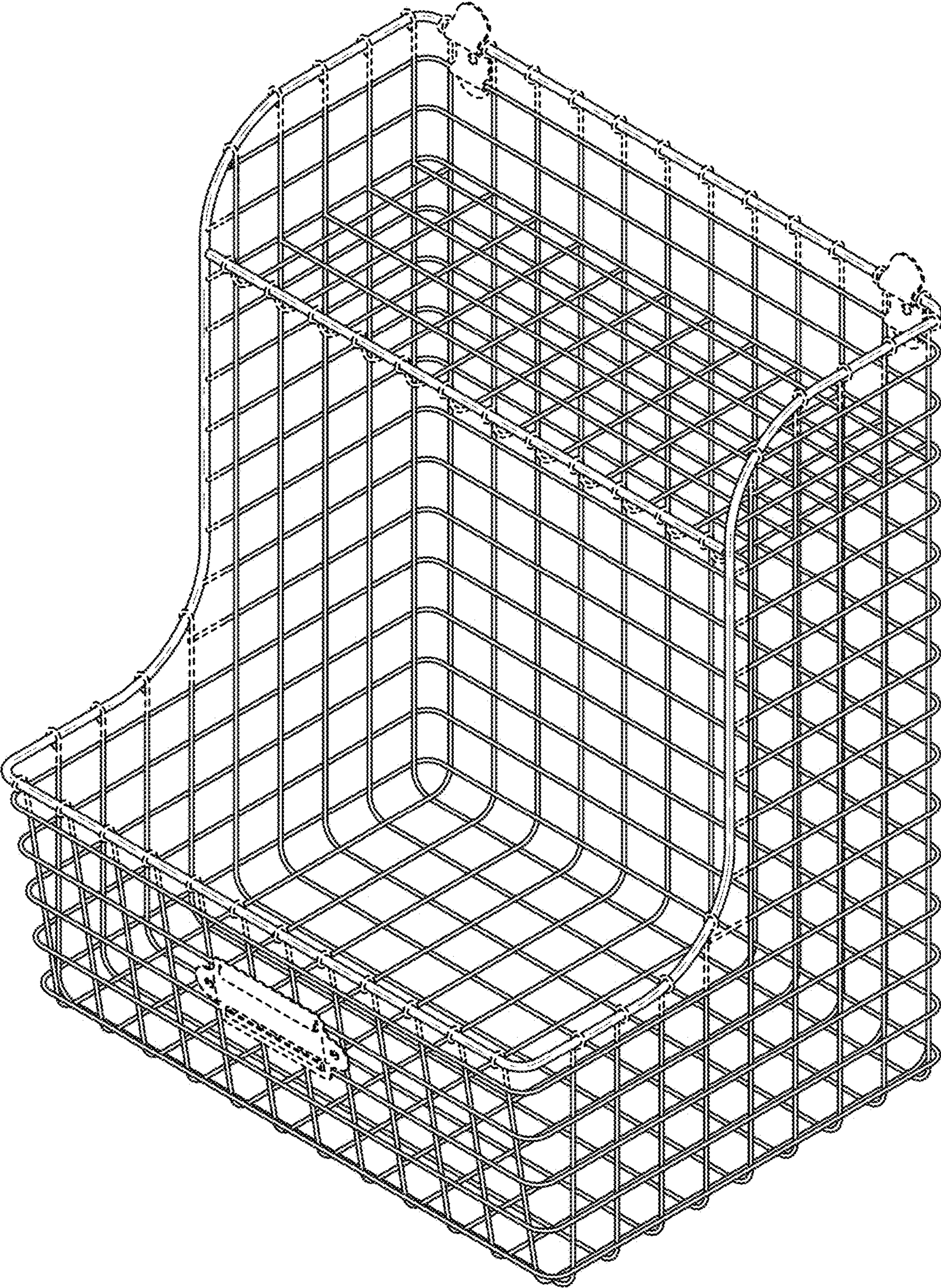


FIG. 1

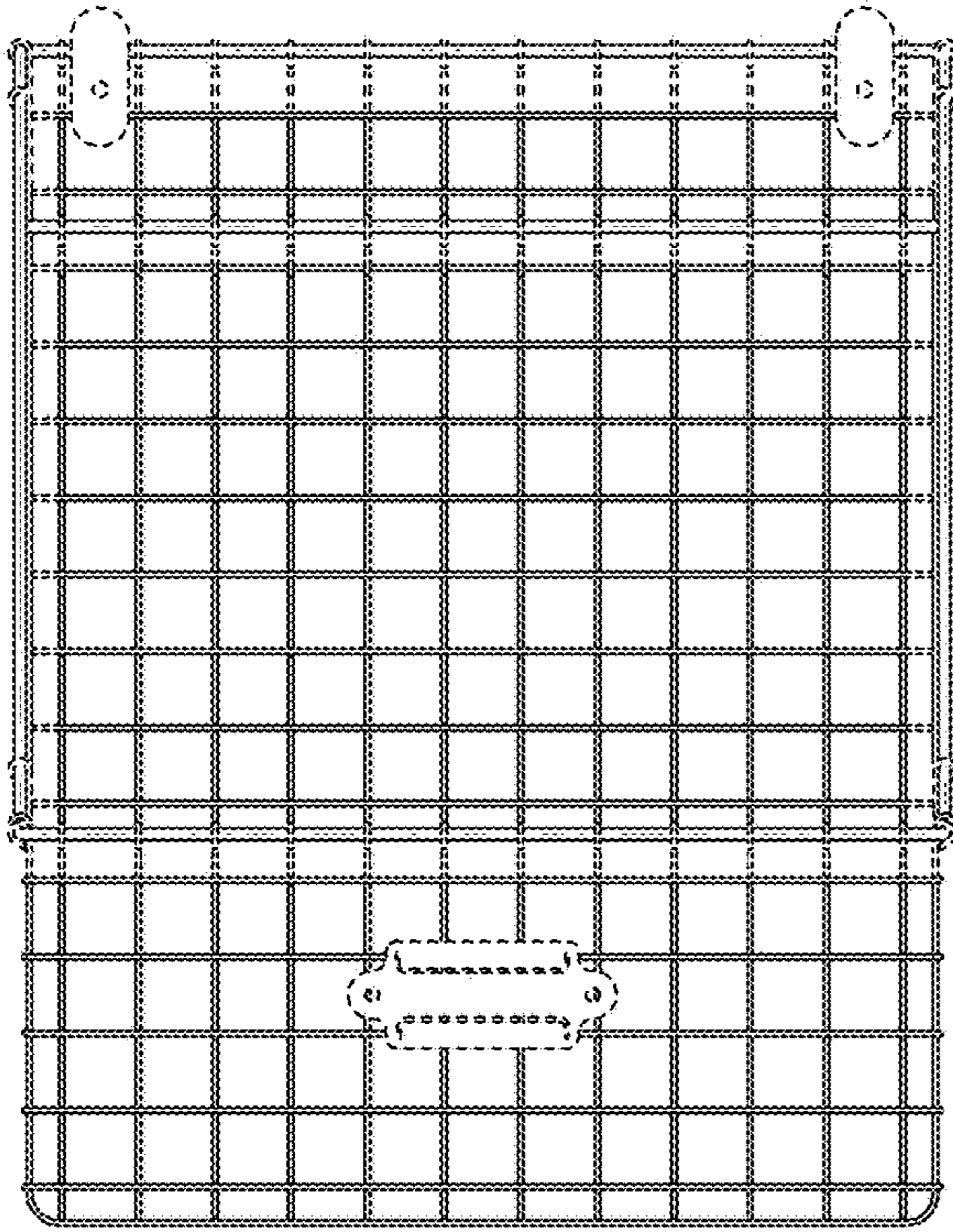


FIG. 2

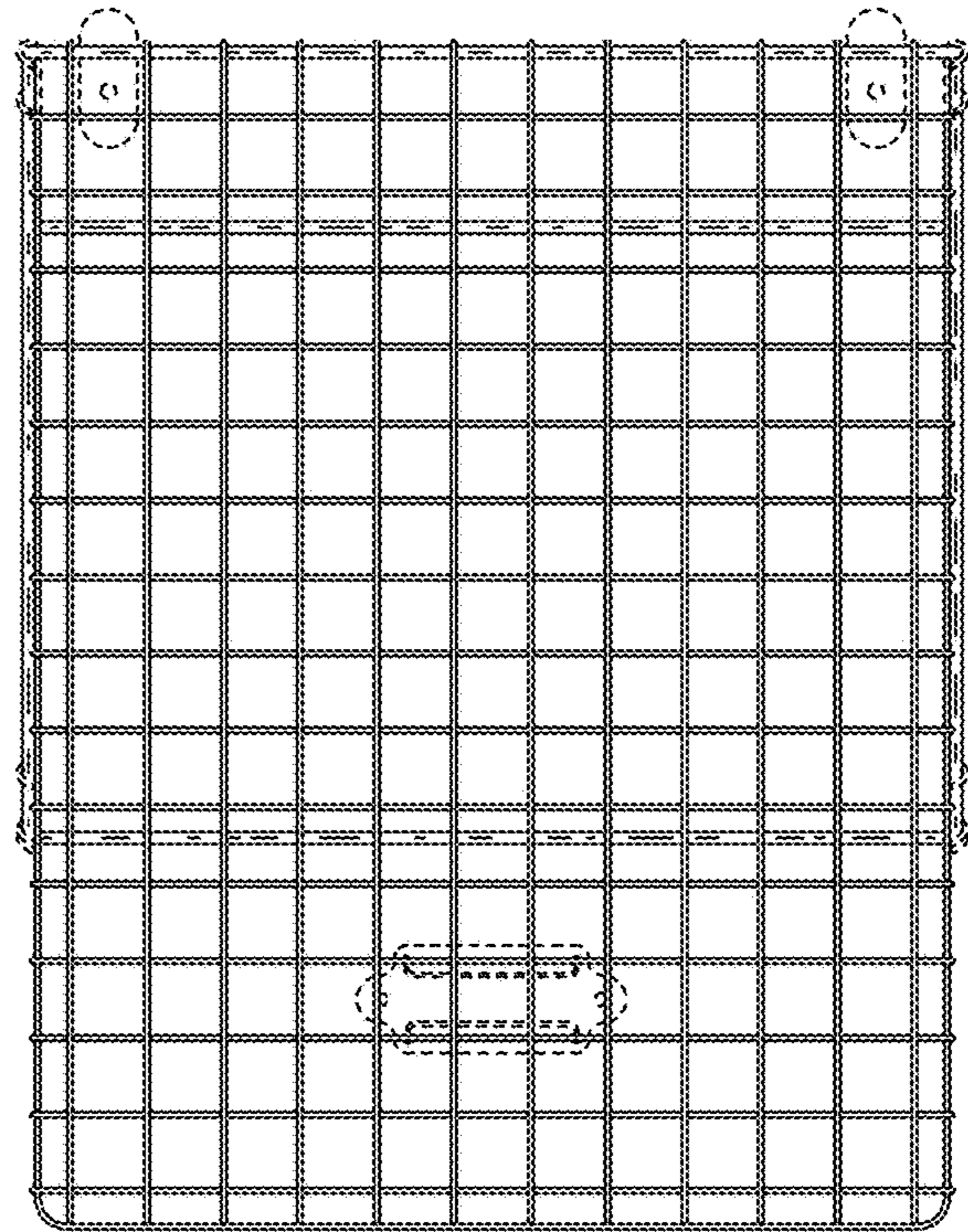


FIG. 3

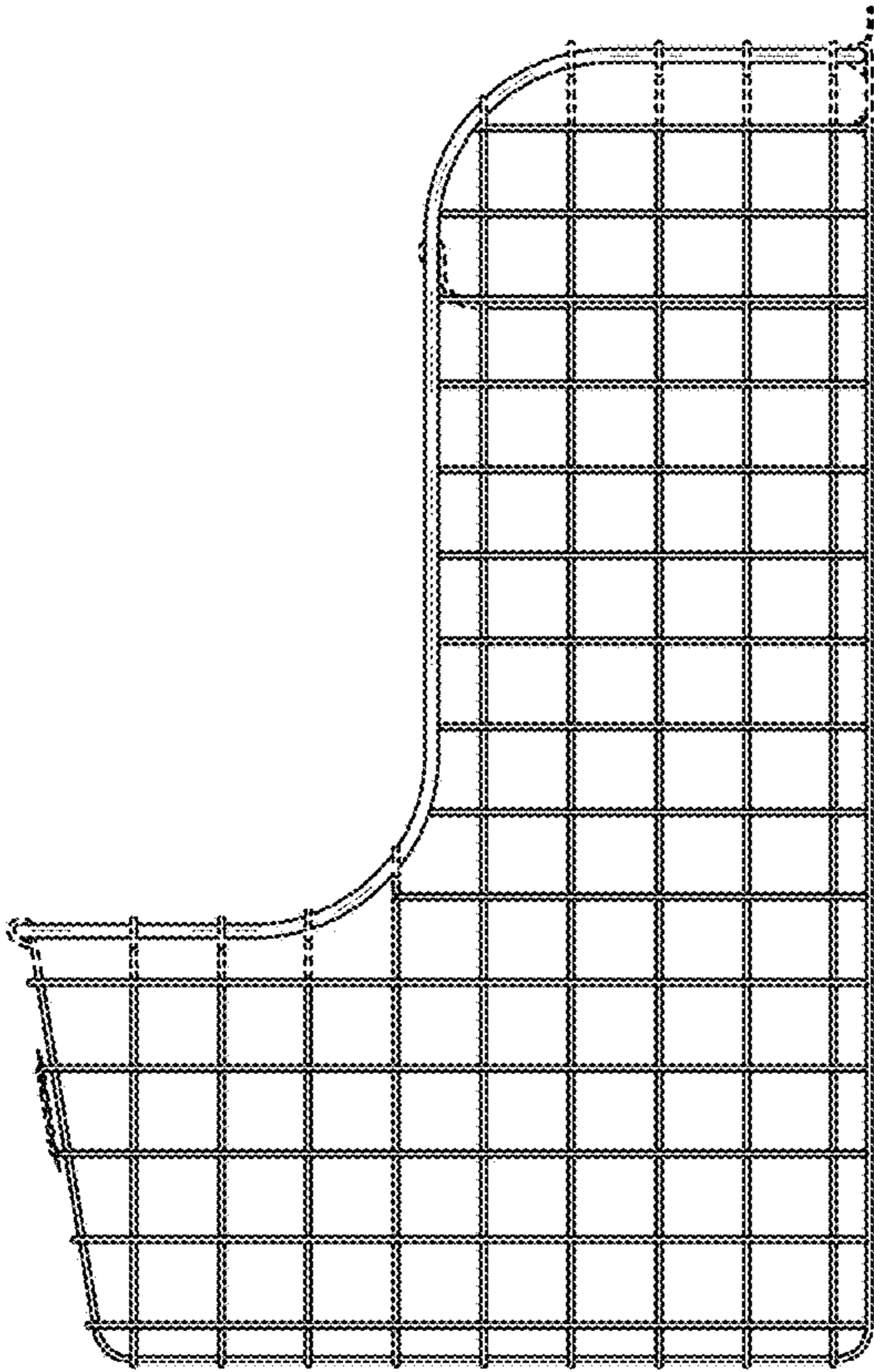


FIG. 4

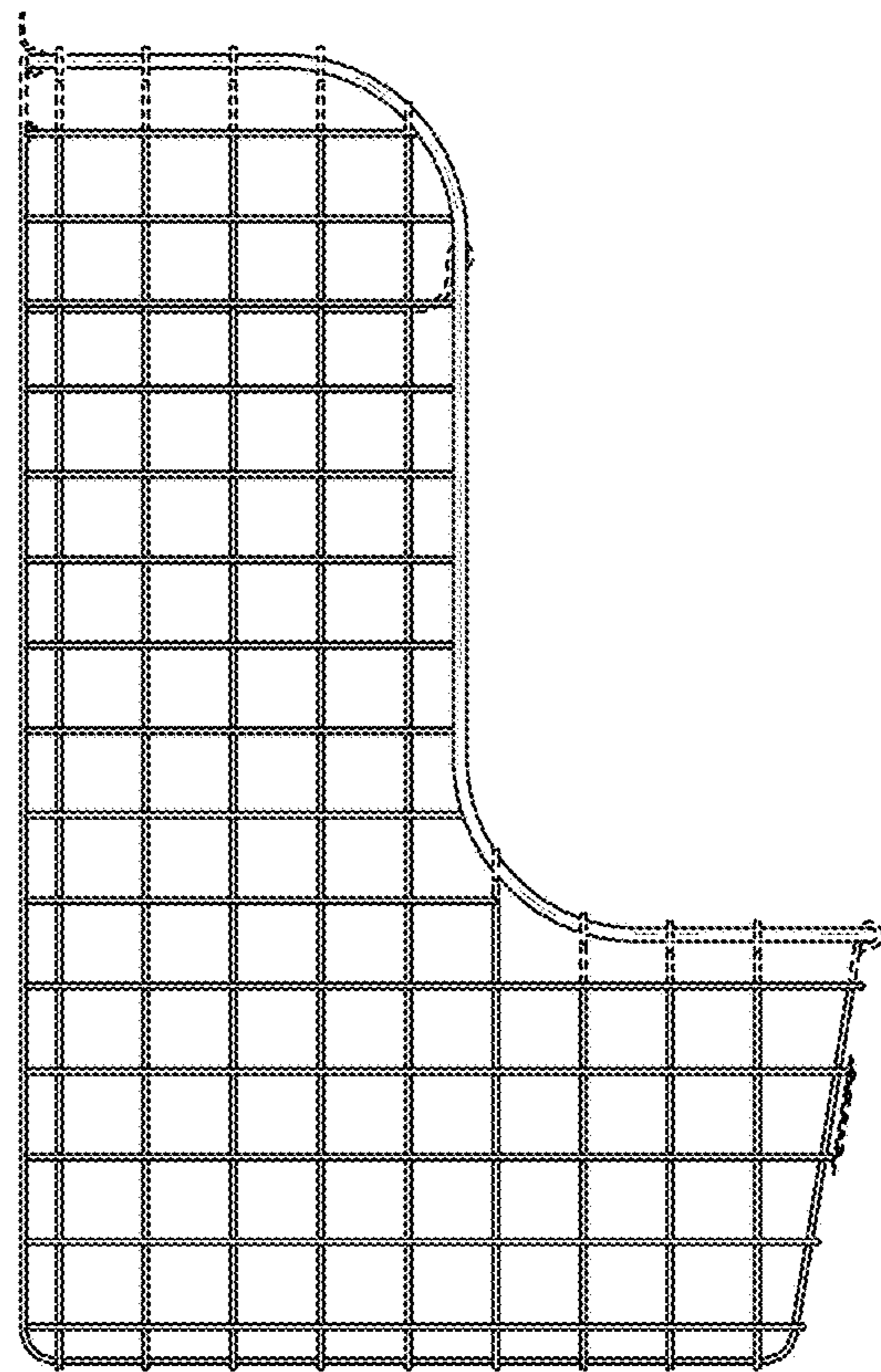


FIG. 5

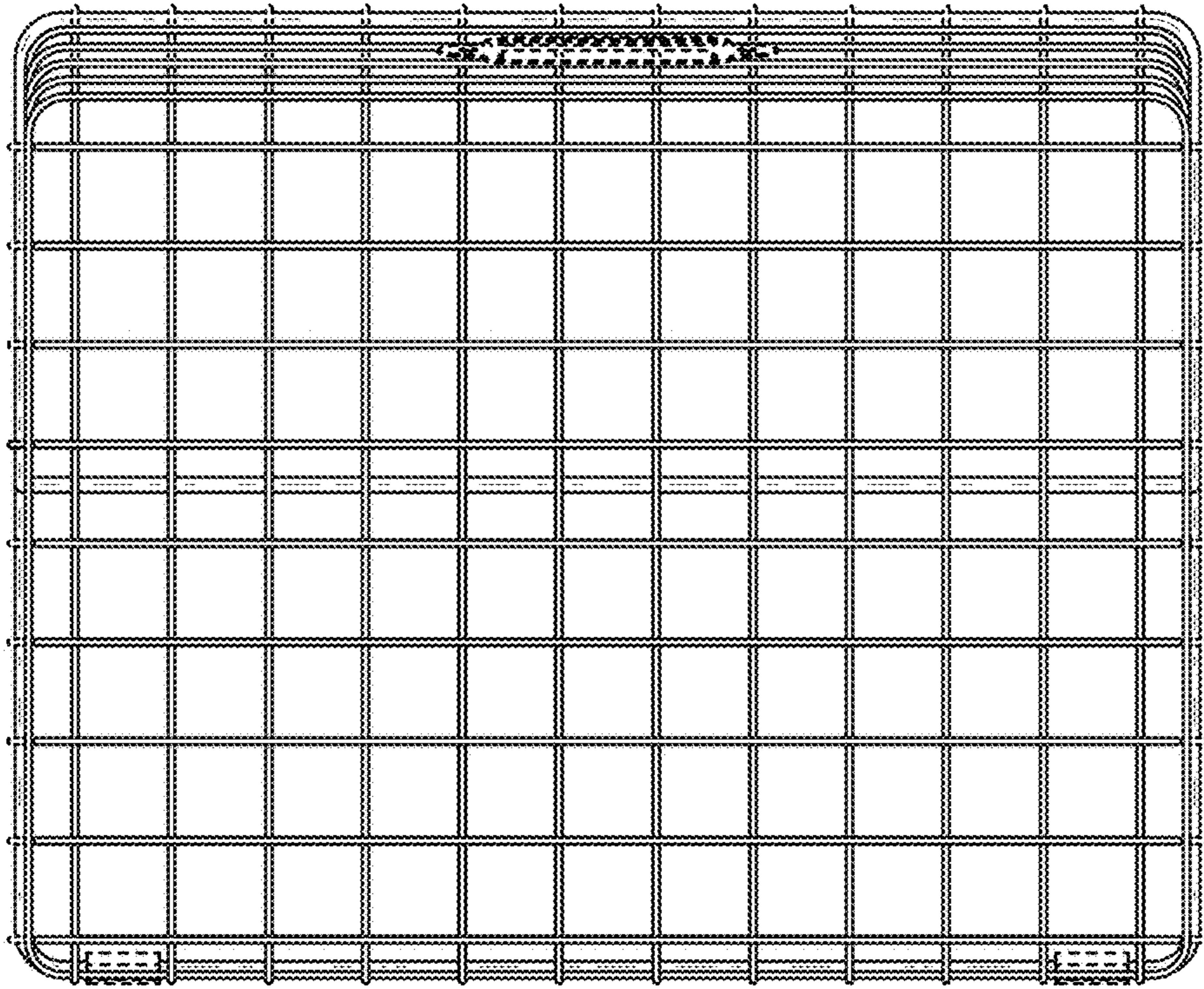


FIG. 6

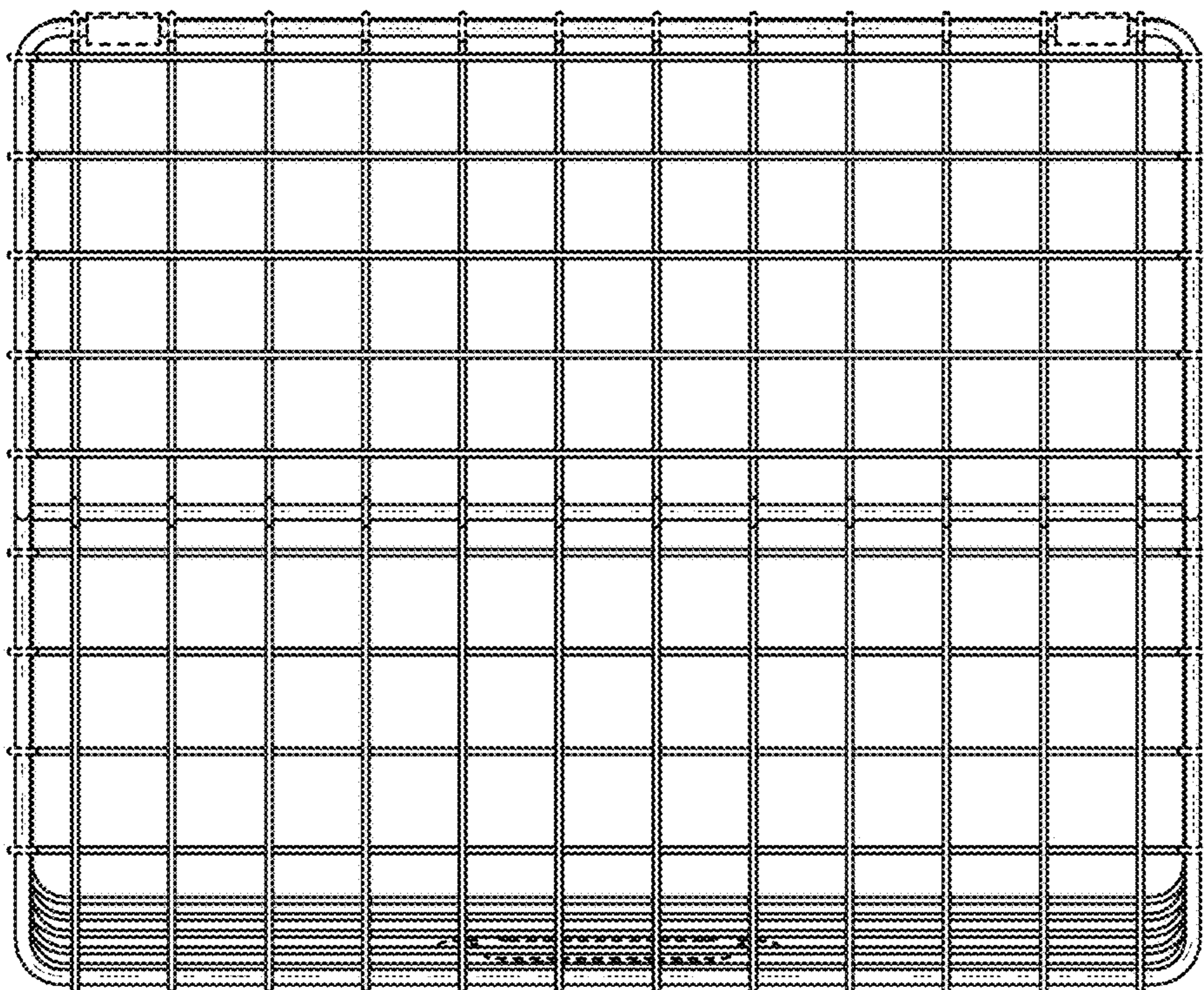


FIG. 7