



US00D838977S

(12) **United States Design Patent**
Dragicevic

(10) **Patent No.:** **US D838,977 S**

(45) **Date of Patent:** **** Jan. 29, 2019**

(54) **V-SHAPED SOFT SIDE MAH JONGG SET BAG**

(71) Applicant: **Milivoj Dragicevic**, Woodbridge (CA)

(72) Inventor: **Milivoj Dragicevic**, Woodbridge (CA)

(**) Term: **15 Years**

(21) Appl. No.: **29/649,060**

(22) Filed: **May 25, 2018**

Related U.S. Application Data

(62) Division of application No. 29/583,679, filed on Nov. 8, 2016, now Pat. No. Des. 821,094.

(51) **LOC (11) Cl.** **03-01**

(52) **U.S. Cl.**
USPC **D3/246**

(58) **Field of Classification Search**
USPC D3/231-233, 239-243, 245, 246;
D21/392-394, 396
CPC A45C 3/00; A45C 3/06
See application file for complete search history.

(56) **References Cited**

U.S. PATENT DOCUMENTS

D24,543 S	8/1895	Bruning	
1,760,681 A	5/1930	Barol	
D119,577 S	3/1940	Michel	
D128,557 S	7/1941	Pichel	
D165,492 S	12/1951	Stakofsky	
D227,945 S	7/1973	Hirtz	
D275,241 S *	8/1984	Schimmel	D3/243
D326,772 S	6/1992	Kennedy	
D336,362 S *	6/1993	McCord	D3/246
D385,074 S *	10/1997	Soares	D3/246
D416,677 S	11/1999	Christman	
D420,510 S *	2/2000	Rotan	D3/201
D426,060 S	6/2000	Chapelier	
D447,866 S	9/2001	Achache	
D456,991 S	5/2002	Achache	
D461,953 S *	8/2002	Guyon	D3/243
D481,536 S	11/2003	Vidal	
D489,895 S *	5/2004	Guyon	D3/246

D501,315 S *	2/2005	Delafontaine	D3/246
D530,508 S	10/2006	Delafontaine	
D530,509 S	10/2006	Delafontaine	
D535,820 S	1/2007	Kamiya	
D539,537 S	4/2007	Guyon	
D695,568 S	12/2013	Hayes	
D787,823 S	5/2017	Nair	

OTHER PUBLICATIONS

https://www.amazon.com/American-Pushers-Burgundy-Discontinued-manufacturer/dp/B006QKTGL2/ref=sr_1_1?ie=UTF8&qid=1478808994&sr=8-1&keywords=mahjong+sets.
https://www.amazon.com/American-Mahjong-Mahjongg-Mah-Jongg-Accessories/dp/B01070AYTY/ref=sr_1_12?ie=UTF8&qid=1478808994&sr=8-12&keywords=mahjong+sets.
https://www.amazon.com/Mah-Jongg-Designer-White-Pusher/dp/B00ILY9GHA/ref=sr_1_57?ie=UTF8&qid=1478812122&sr=8-57&keywords=mahjong+sets.

* cited by examiner

Primary Examiner — George D. Kirschbaum
Assistant Examiner — Joseph J. Kukella
(74) *Attorney, Agent, or Firm* — Davis & Bujold PLLC;
Michael J. Bujold

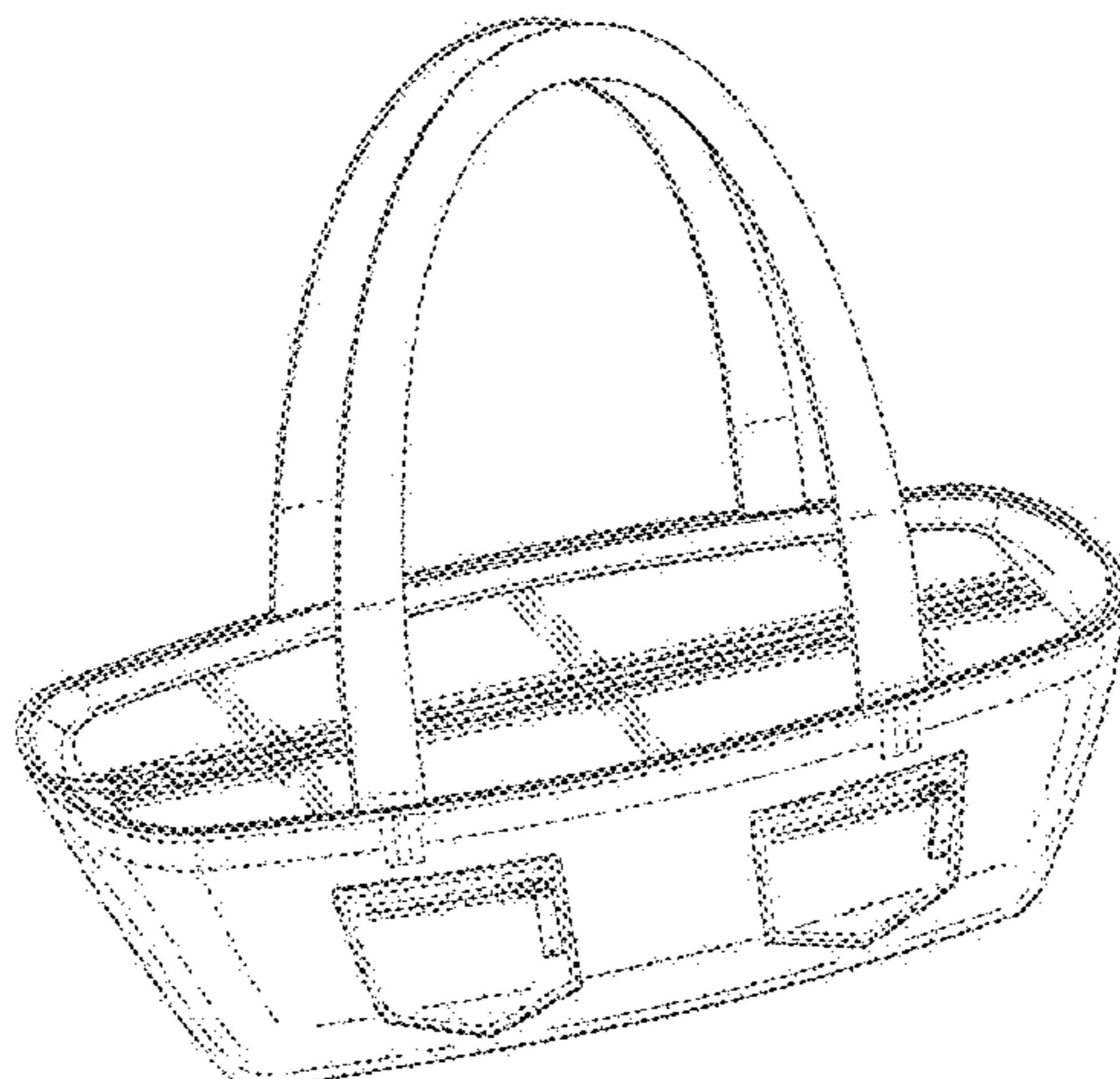
(57) **CLAIM**

I claim the ornamental design for a V-shaped soft side mah jongg set bag, as shown and described.

DESCRIPTION

FIG. 1 is a perspective view of a V-shaped soft side mah jongg set bag embodying my new design; FIG. 2 is a front elevational view thereof; FIG. 3 is a rear elevational view thereof; FIG. 4 is a left side elevational view thereof; FIG. 5 is a right side elevational view thereof; FIG. 6 is a top plan view thereof; and, FIG. 7 is a bottom plan view thereof. In the drawings, all broken lines are directed to embroidery or stitching details and form part of the claimed design.

1 Claim, 6 Drawing Sheets



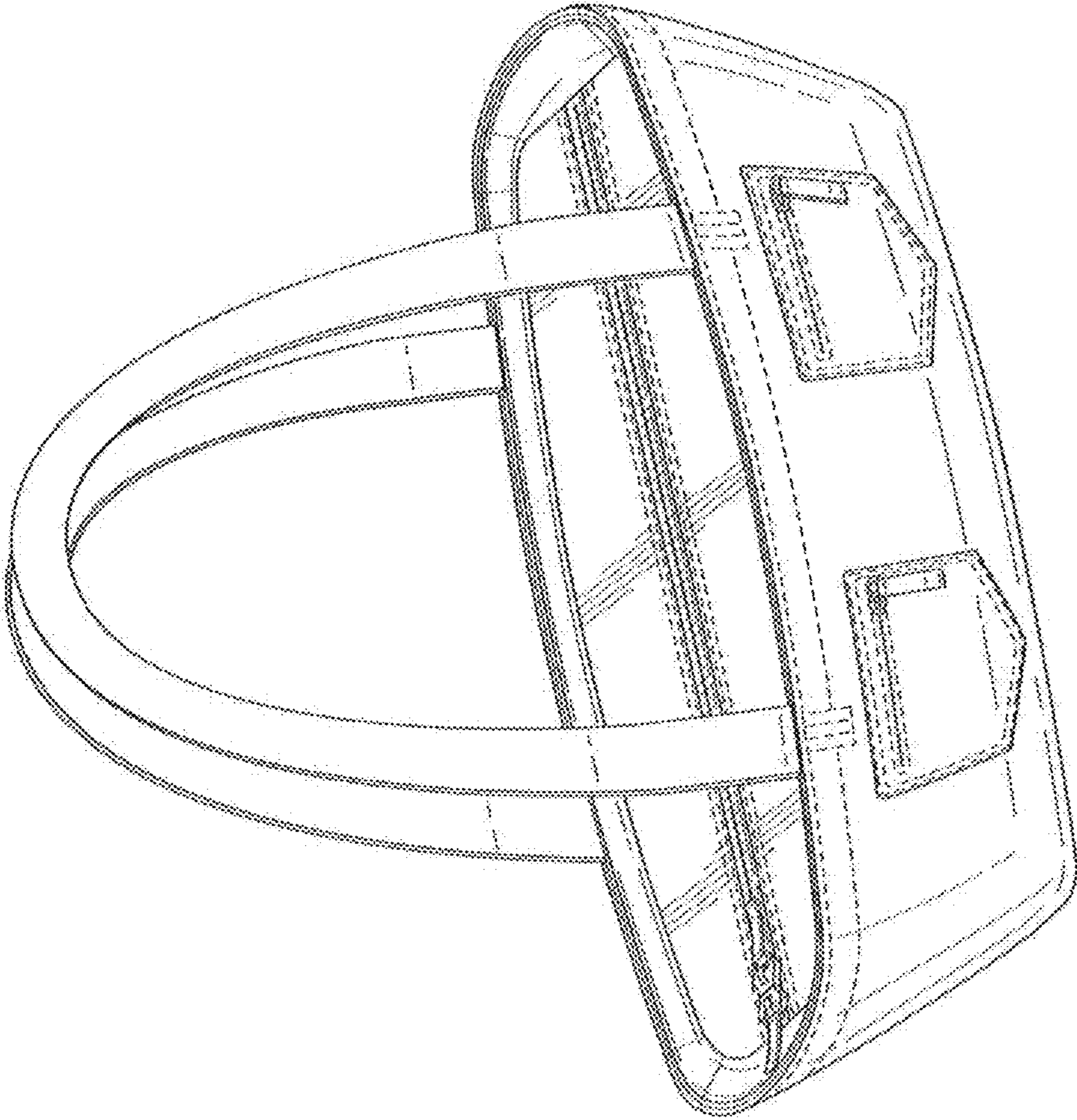


FIG. 1

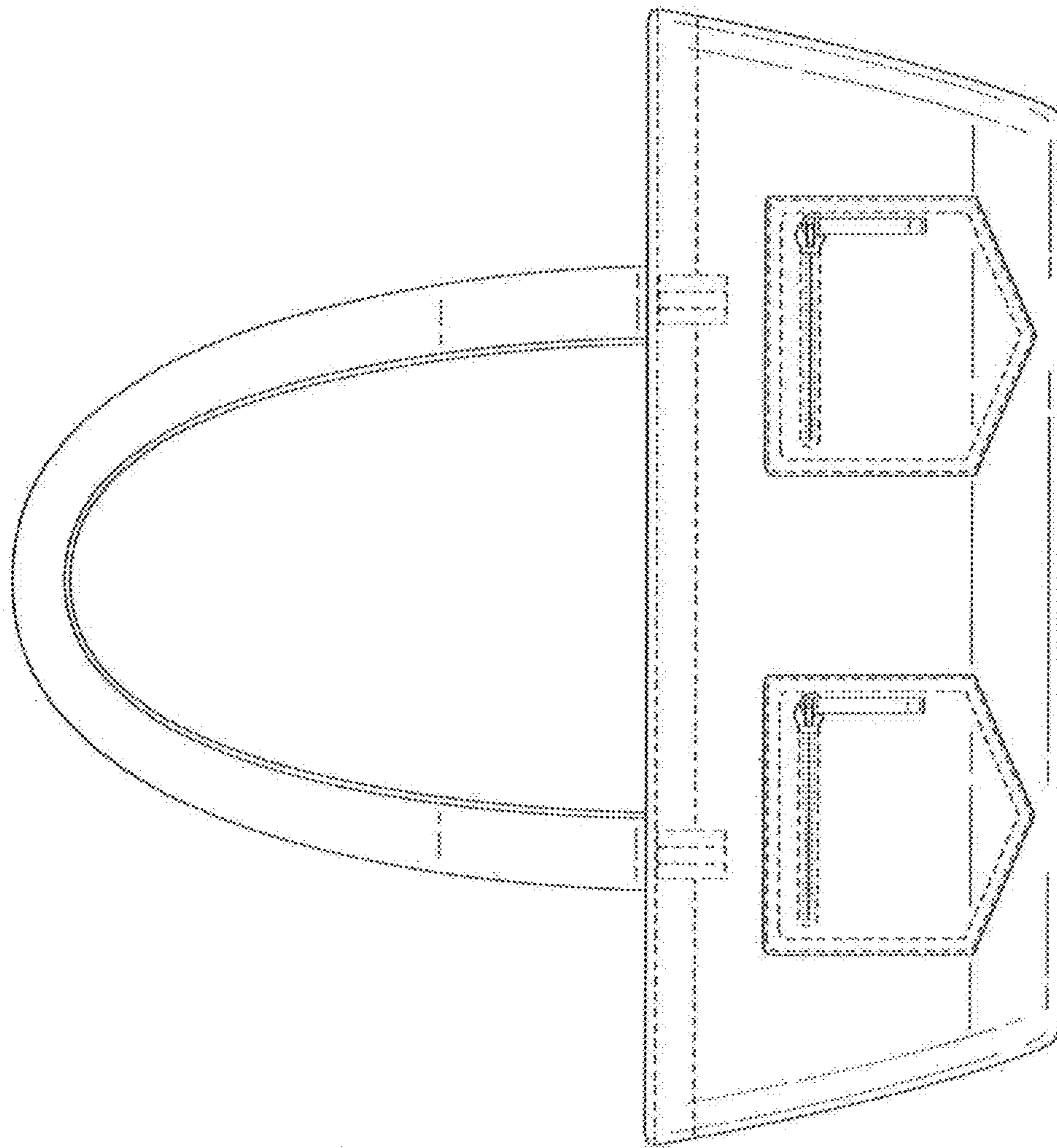


FIG. 2

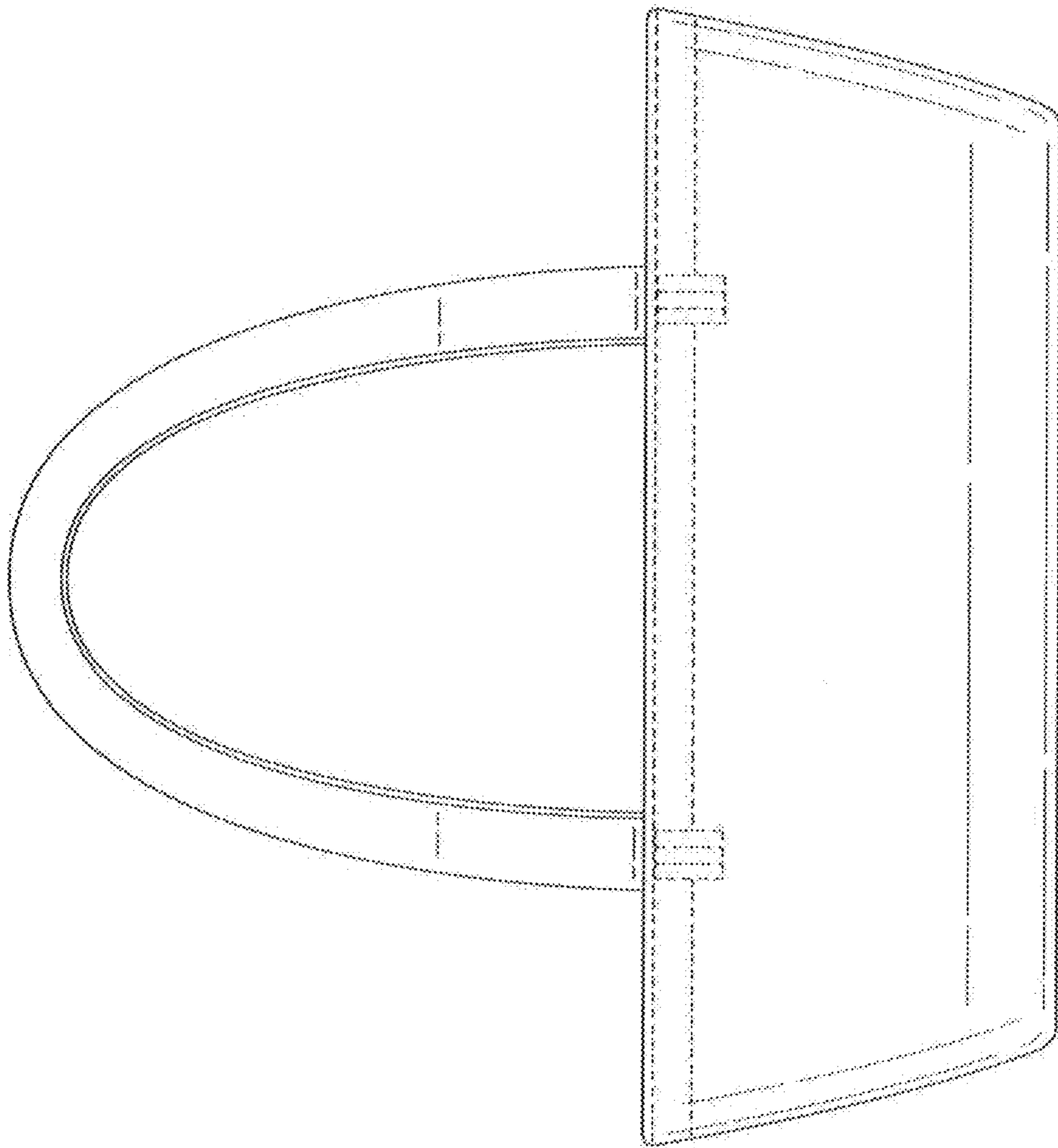


FIG. 3

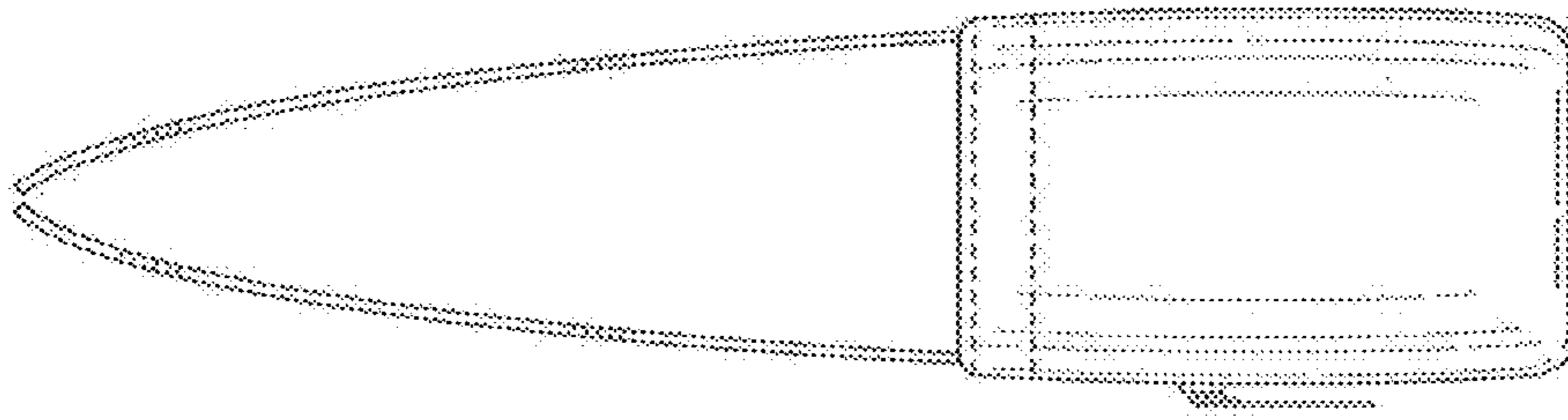


FIG. 5

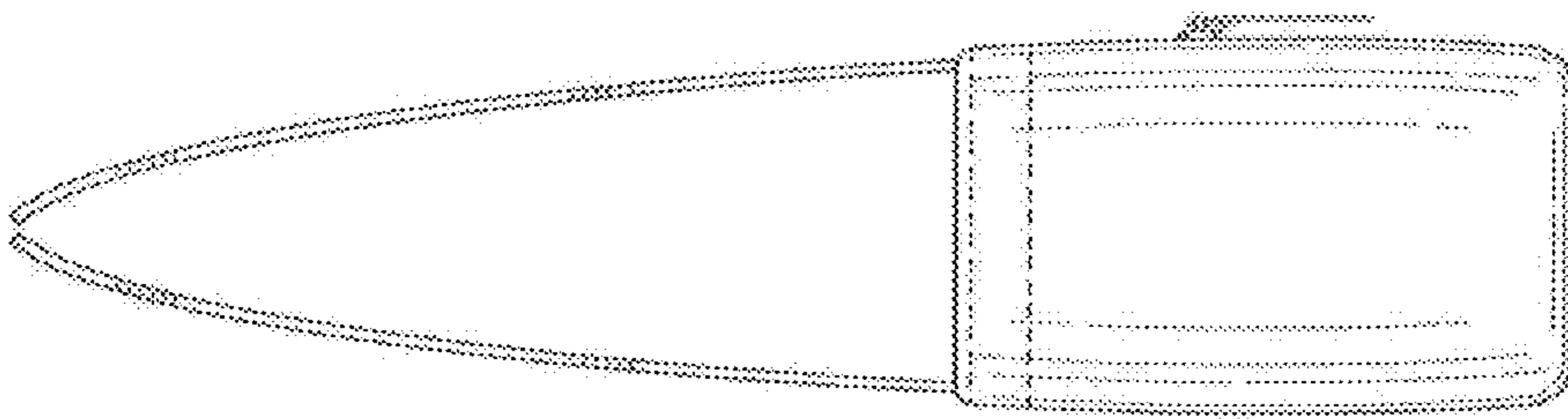


FIG. 4

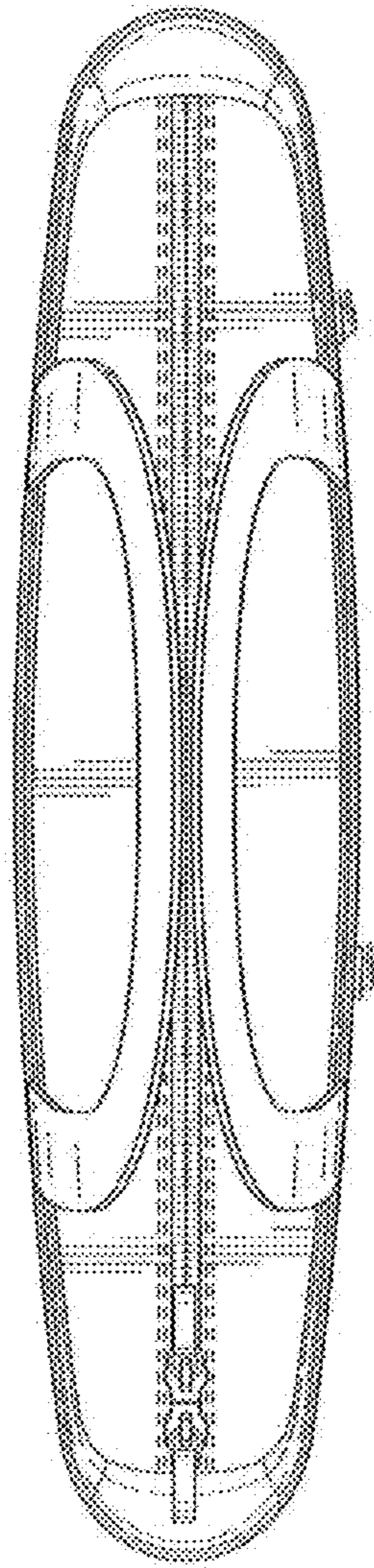


FIG. 6

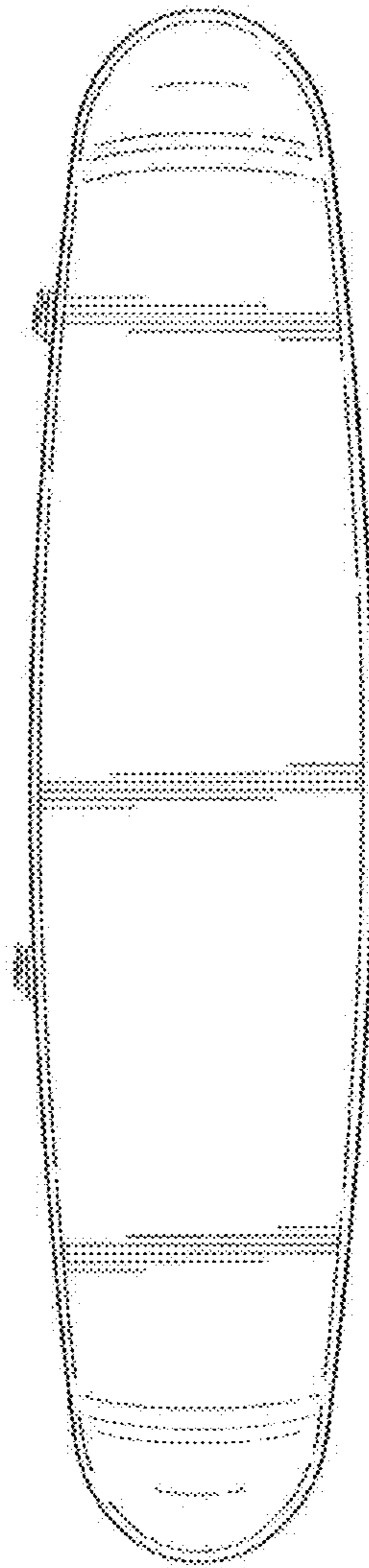


FIG. 7