



US00D838976S

(12) **United States Design Patent**
Colonna et al.

(10) **Patent No.:** **US D838,976 S**

(45) **Date of Patent:** **** Jan. 29, 2019**

(54) **WOMEN'S CLUTCH PURSE**

(57) **CLAIM**

(71) Applicants: **Sarah Colonna**, Sherman Oaks, CA (US); **Maria Argyropoulos Zarian**, Burbank, CA (US)

The ornamental design for a women's clutch purse, as shown and described.

(72) Inventors: **Sarah Colonna**, Sherman Oaks, CA (US); **Maria Argyropoulos Zarian**, Burbank, CA (US)

DESCRIPTION

(**) Term: **15 Years**

FIG. 1 is a perspective view of a women's clutch purse in a closed orientation displaying a male closure medallion, art adjustable shoulder strap with spring clasp attachment; FIG. 2 is a front view of a women's clutch purse in a closed orientation displaying a male closure medallion and adjustable shoulder strap; FIG. 3 is a rear view of a women's clutch purse in a closed orientation displaying an adjustable shoulder strap and a strap or belt receiving sleeve; FIG. 4 is a right side view of a women's clutch purse in a closed orientation depicting one point or strap attachment, an adjustable shoulder strap, and a spring clasp attachment; FIG. 5 is a left side view of a women's clutch purse in a closed orientation depicting a spring clasp attachment and a second point of strap attachment; FIG. 6 is a bottom view of a women's clutch purse in a closed orientation with adjustable shoulder strap; FIG. 7 is a top view of a women's clutch purse in a closed orientation with adjustable shoulder strap; FIG. 8 is front view of a women's clutch purse in an open orientation displaying an interior inside receiving pocket, male and female closure clasp medallions, and points for adjustable shoulder strap attachment; FIG. 9 is a rear view of a women's clutch purse in an open orientation displaying a male closure clasp medallion; and, FIG. 10 is a rear view in an open orientation displaying a male closure clasp medallion with a strap or belt receiving sleeve for waist attachment and a strap or belt through with. The broken lines representing stitching are part of the claimed design.

(21) Appl. No.: **29/622,590**

(22) Filed: **Oct. 18, 2017**

(51) **LOC (11) Cl.** **03-01**

(52) **U.S. Cl.**
USPC **D3/243**

(58) **Field of Classification Search**
USPC D3/232-233, 240-243, 245-246
CPC A45C 1/024; A45C 3/06
See application file for complete search history.

(56) **References Cited**

U.S. PATENT DOCUMENTS

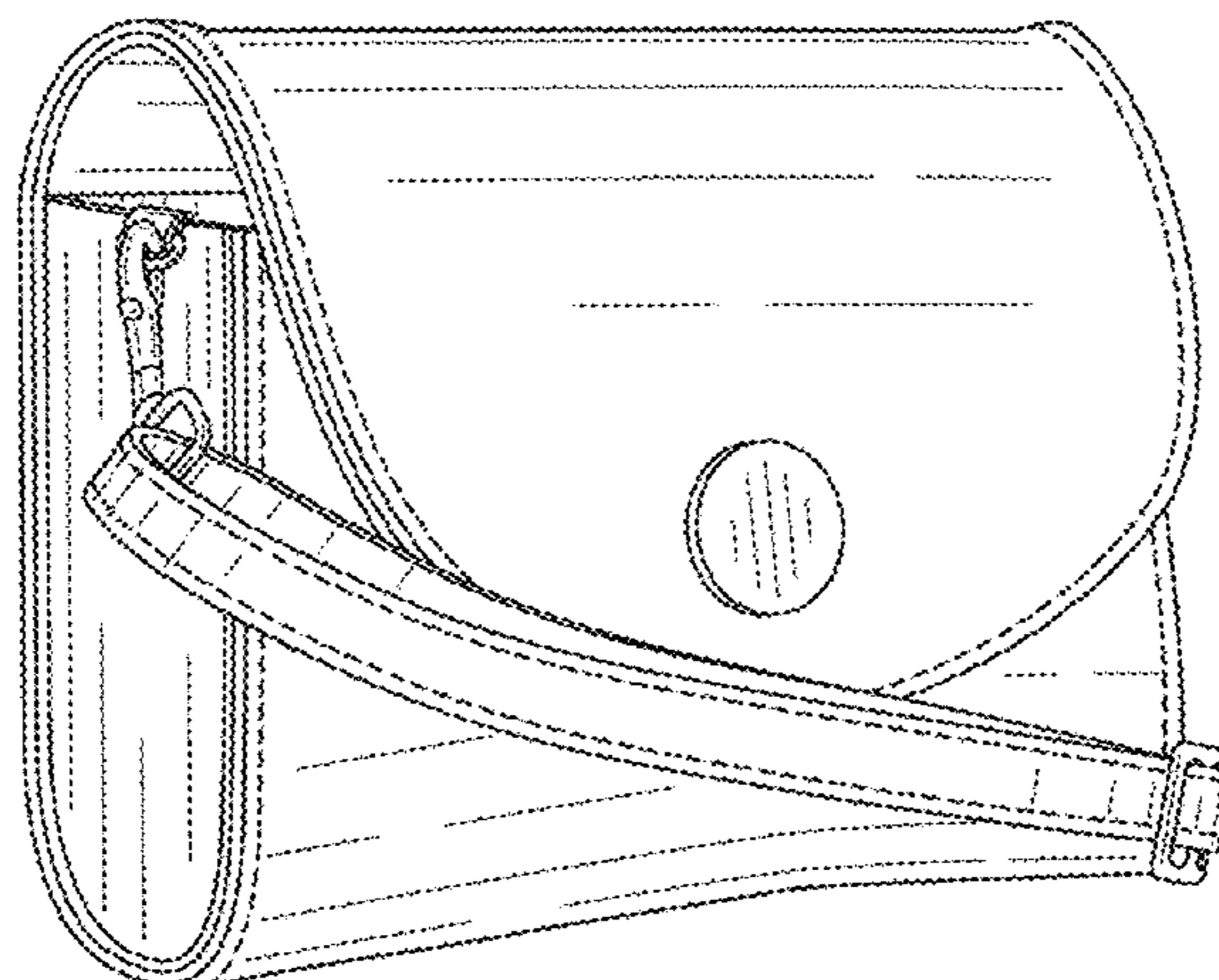
D688,450 S *	8/2013	Philo	D3/243
D728,225 S *	5/2015	McNamara	D3/243
D757,430 S *	5/2016	Spaziani	D3/243
D761,015 S *	7/2016	Nair	D3/243
D762,062 S *	7/2016	Spaziani	D3/243
D772,563 S *	11/2016	Carol-Libman	D3/232
D787,820 S *	5/2017	Nair	D3/243
D789,079 S *	6/2017	Michele	D3/232
D793,723 S *	8/2017	Lopez Montoya	D3/232
D794,326 S *	8/2017	Nair	D3/243

* cited by examiner

Primary Examiner — Holly H Baynham

(74) *Attorney, Agent, or Firm* — Kearney, McWilliams & Davis, PLLC; William C. Yarbrough, III

1 Claim, 7 Drawing Sheets



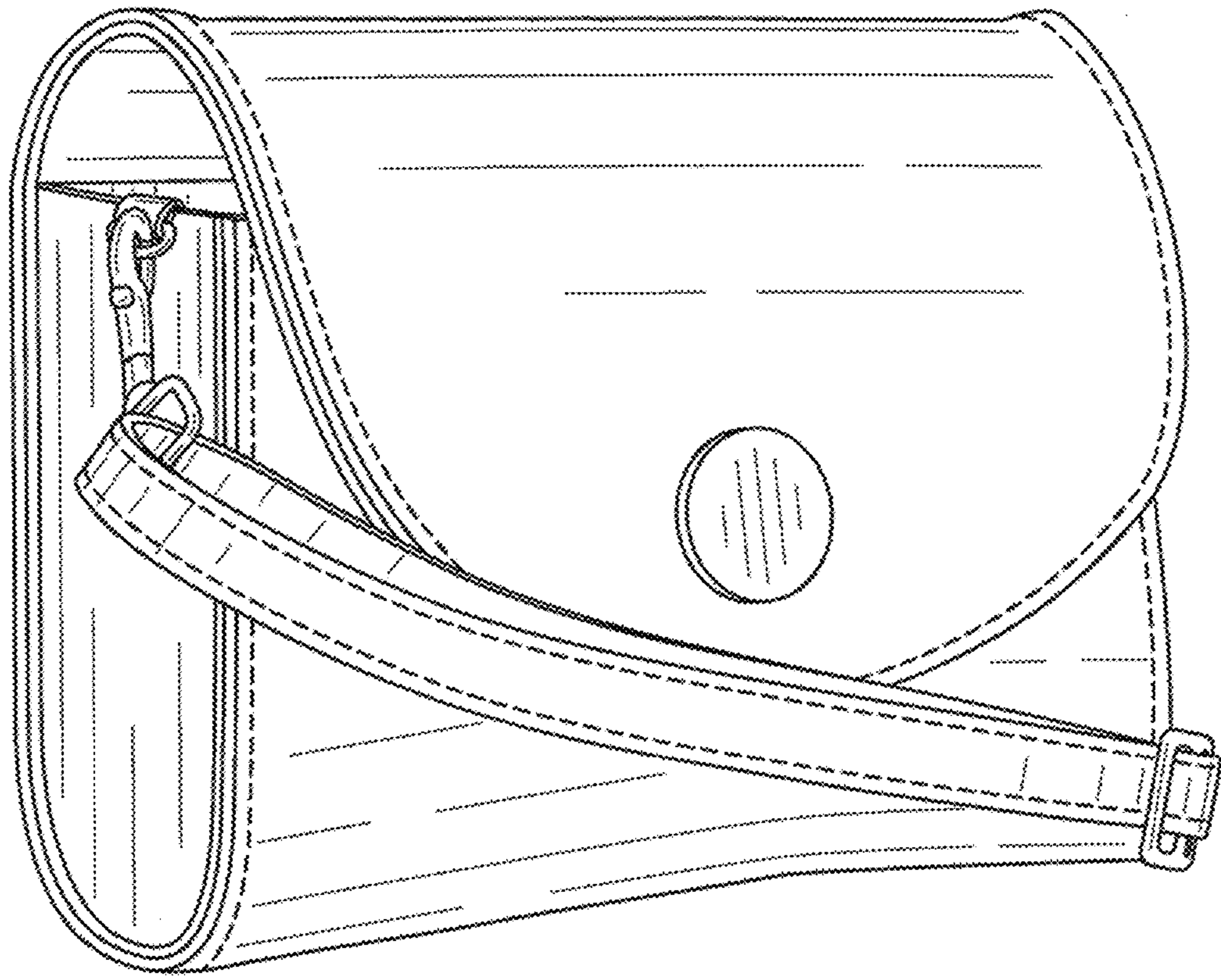


FIG. 1

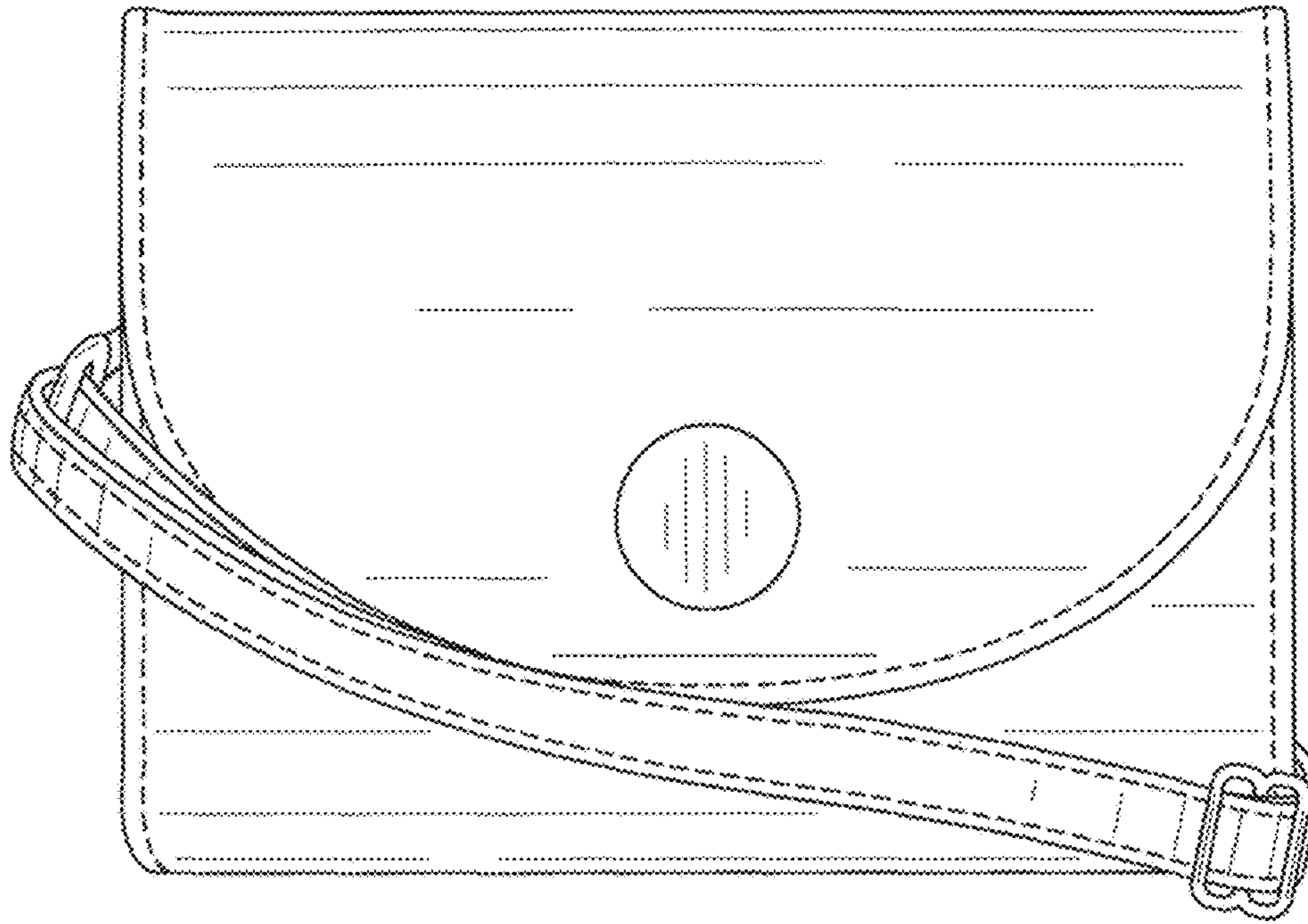


FIG. 2

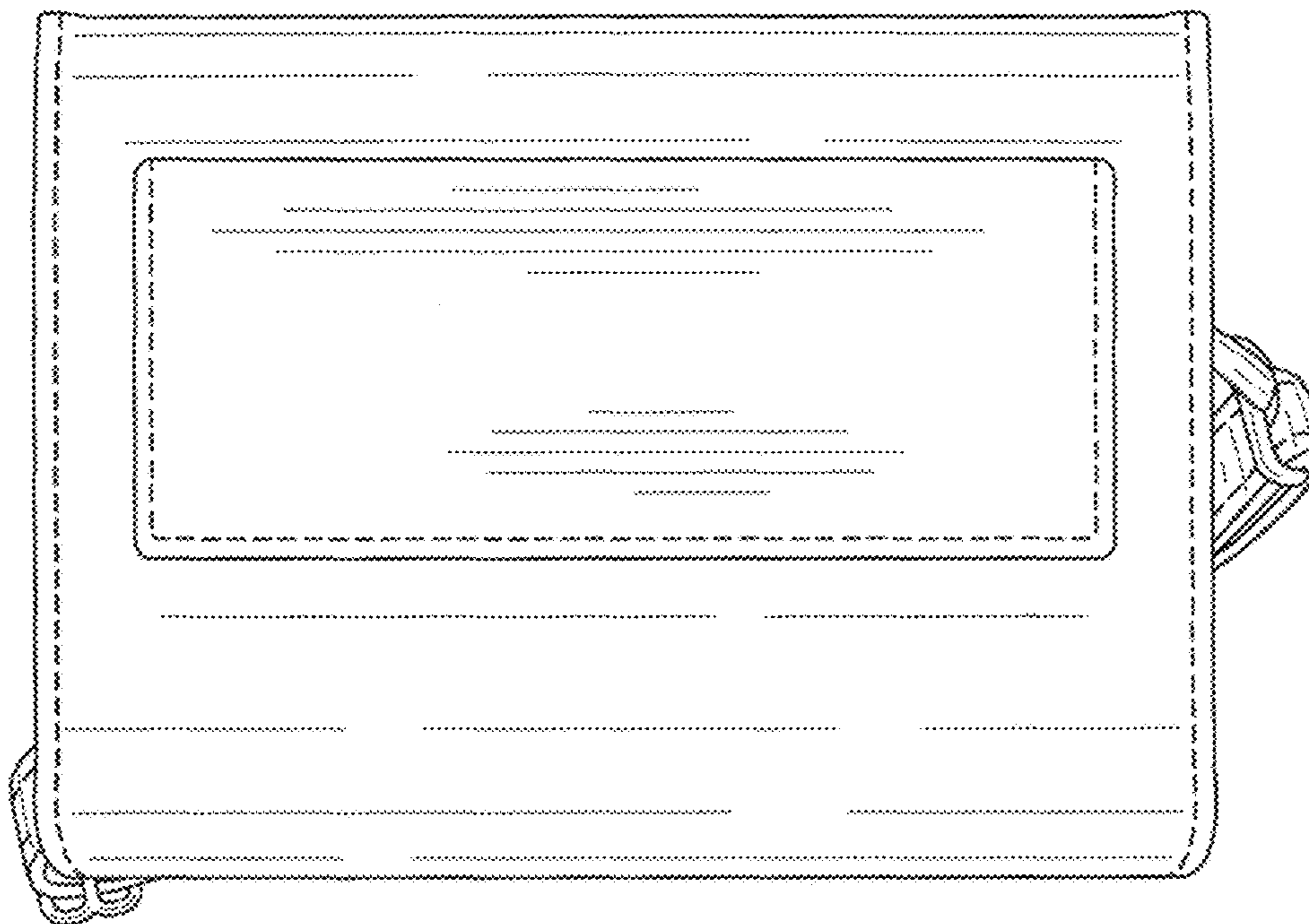


FIG. 3

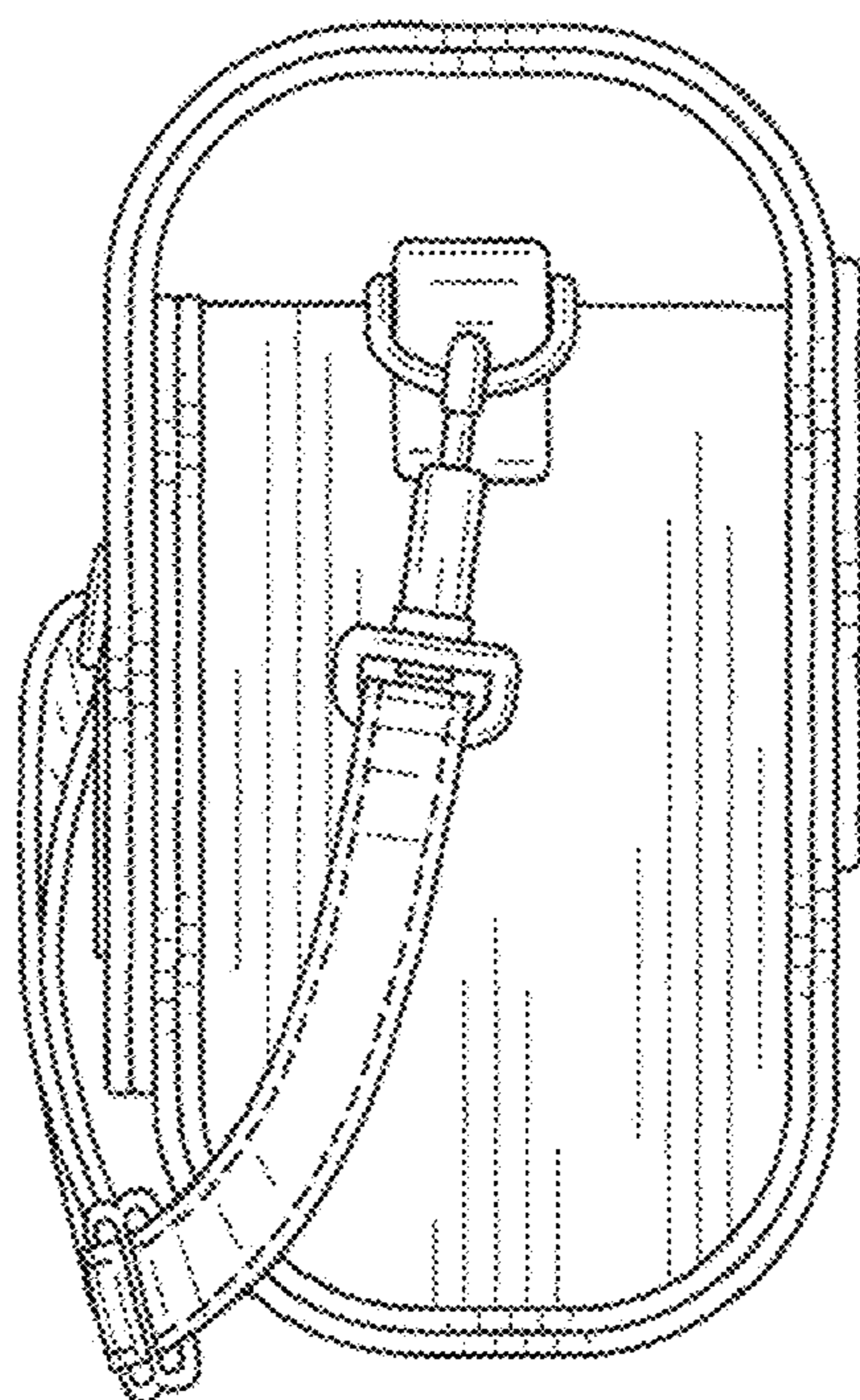


FIG. 4

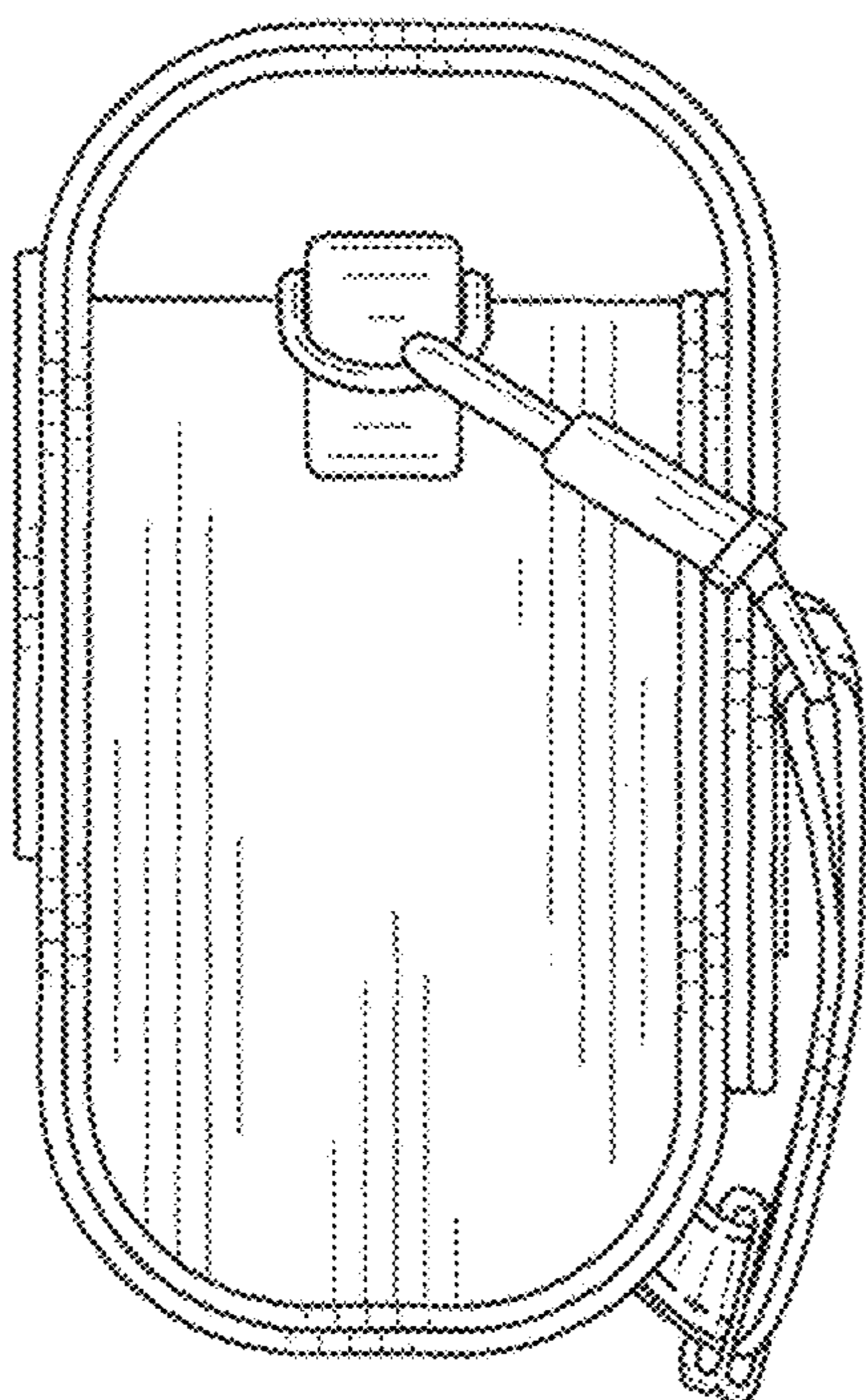


FIG. 5

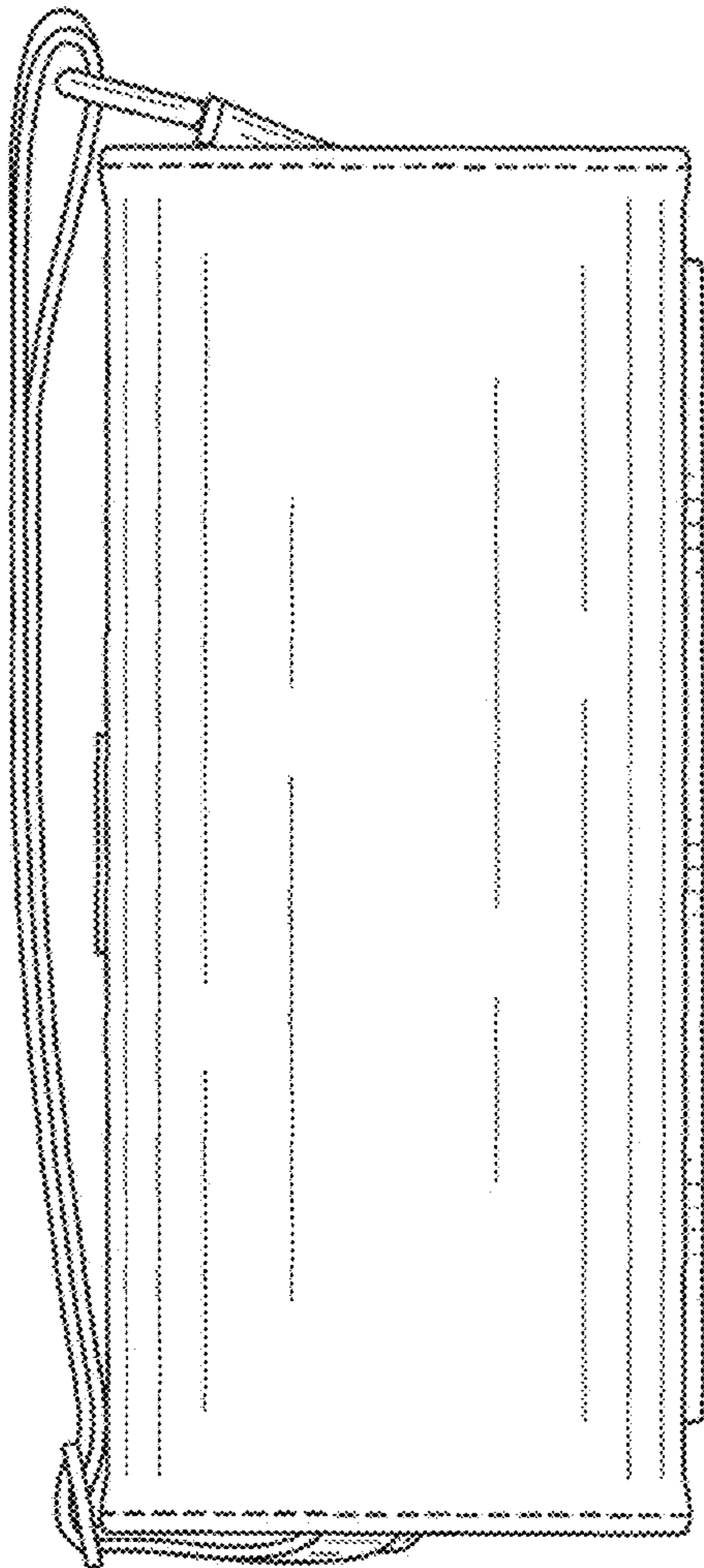


FIG. 6

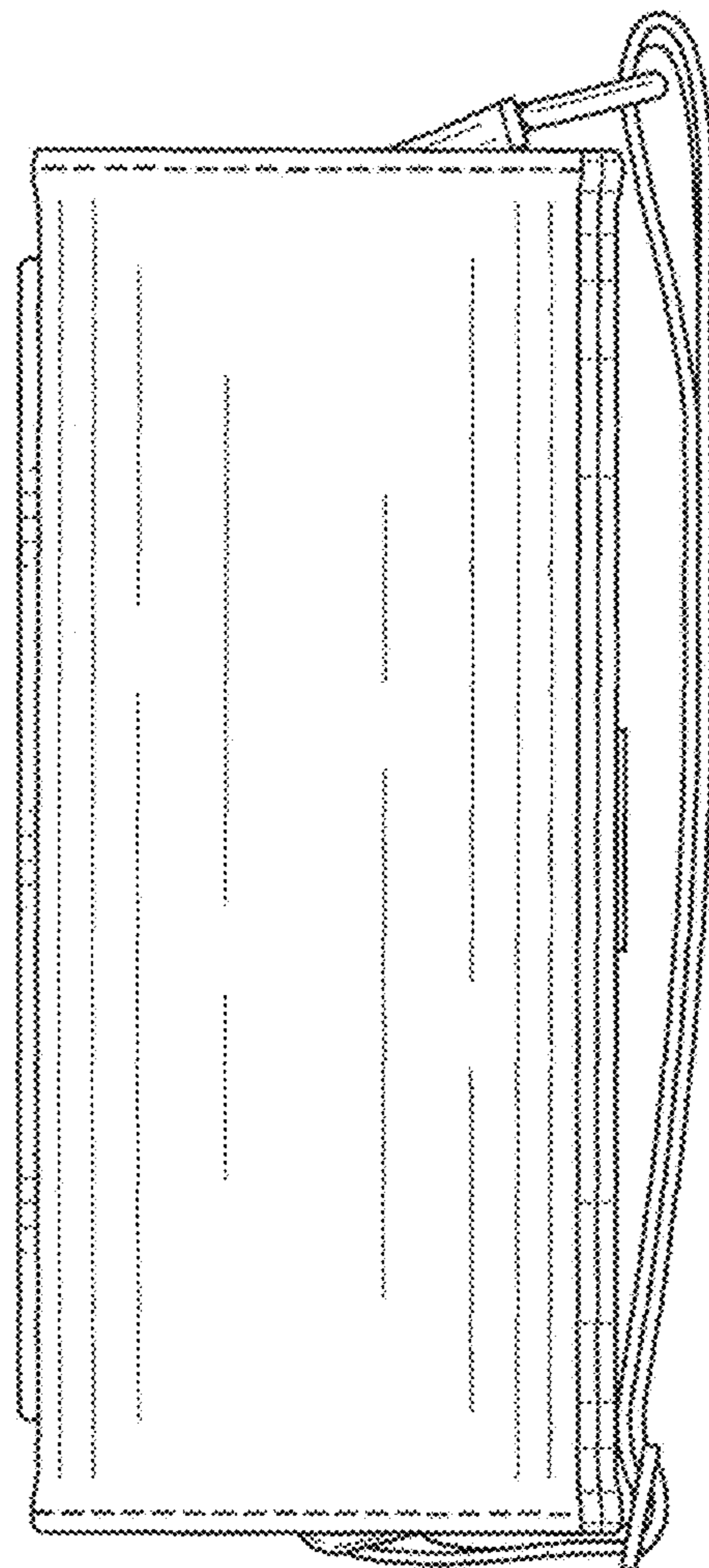


FIG. 7

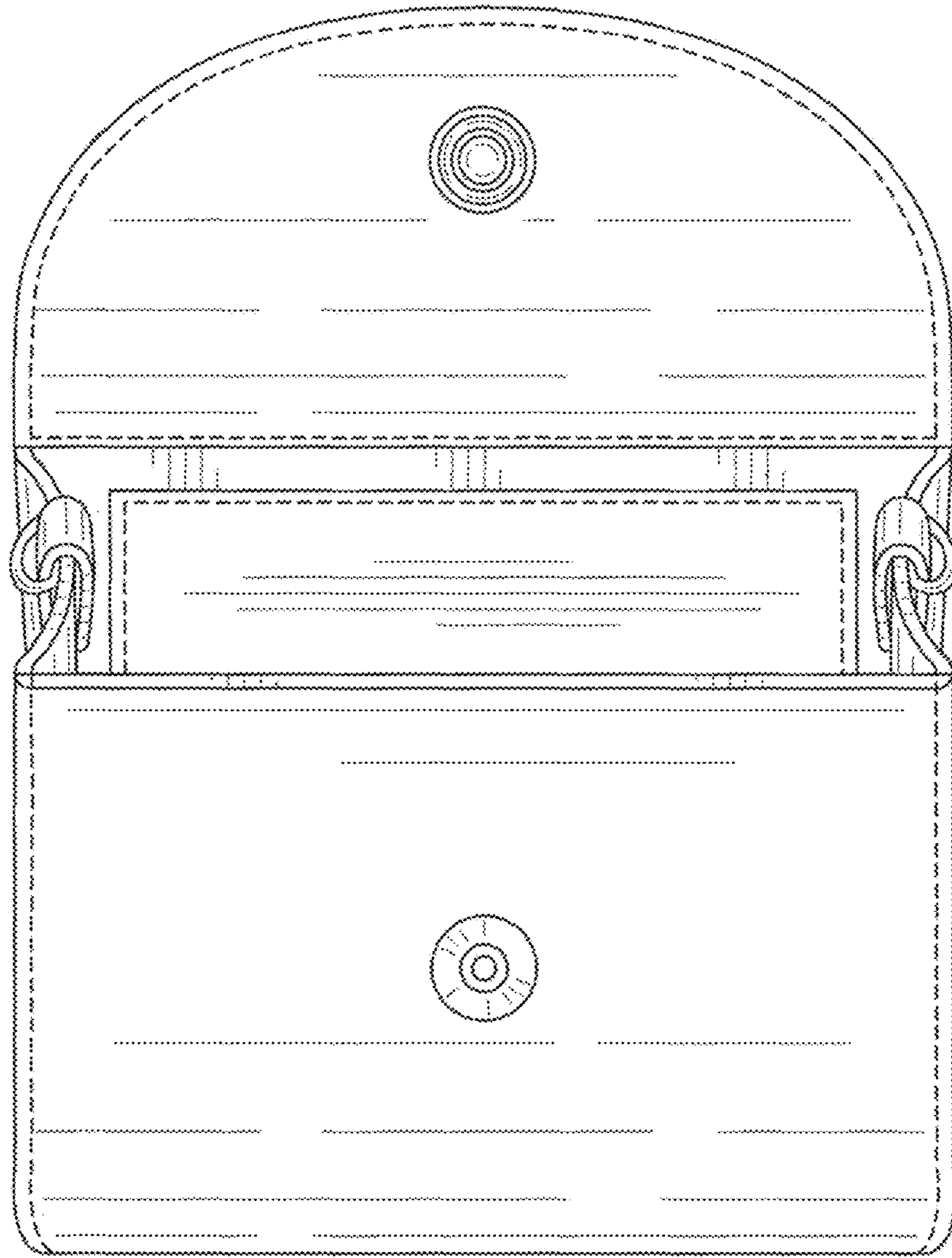


FIG. 8

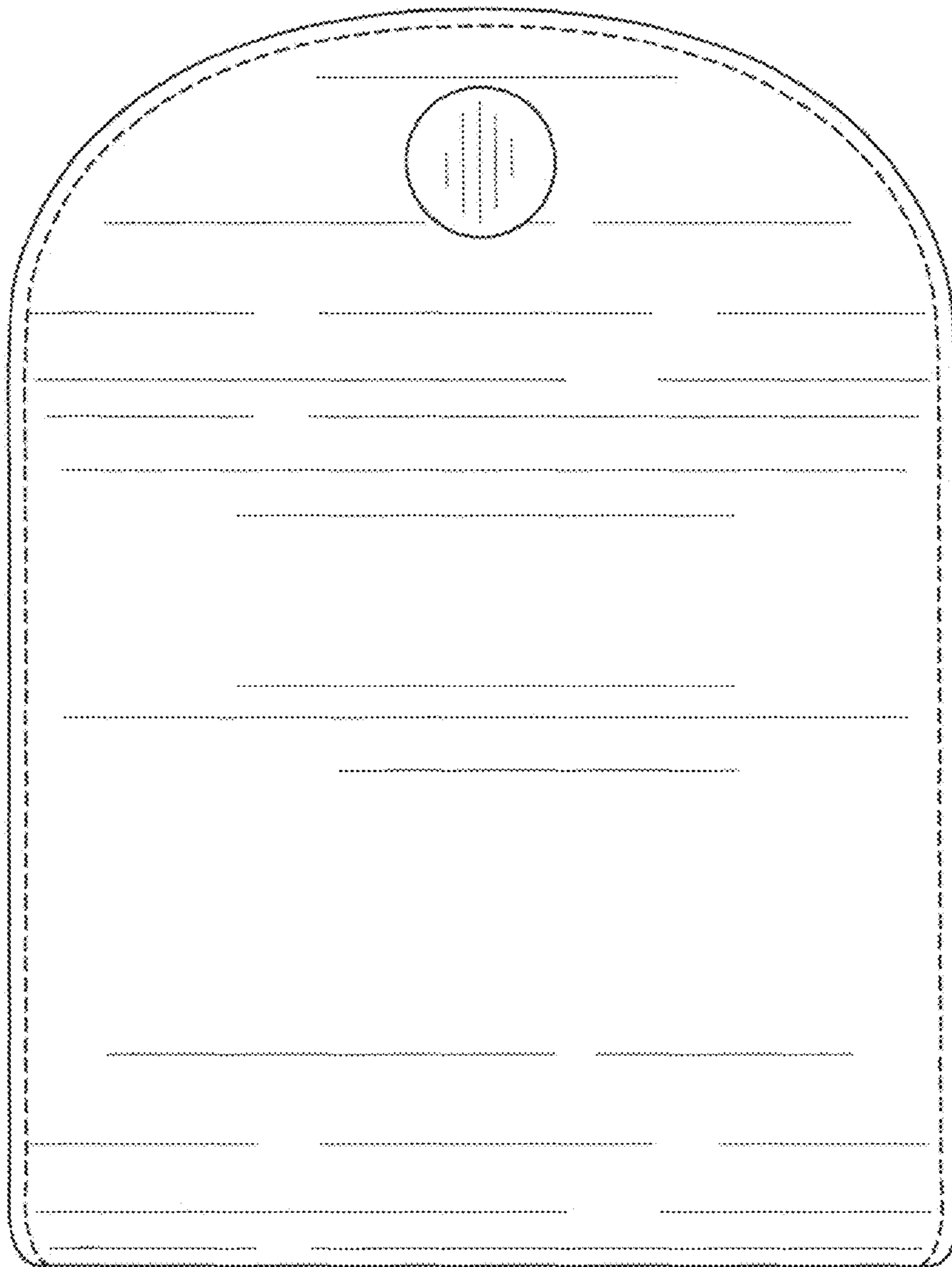


FIG. 9

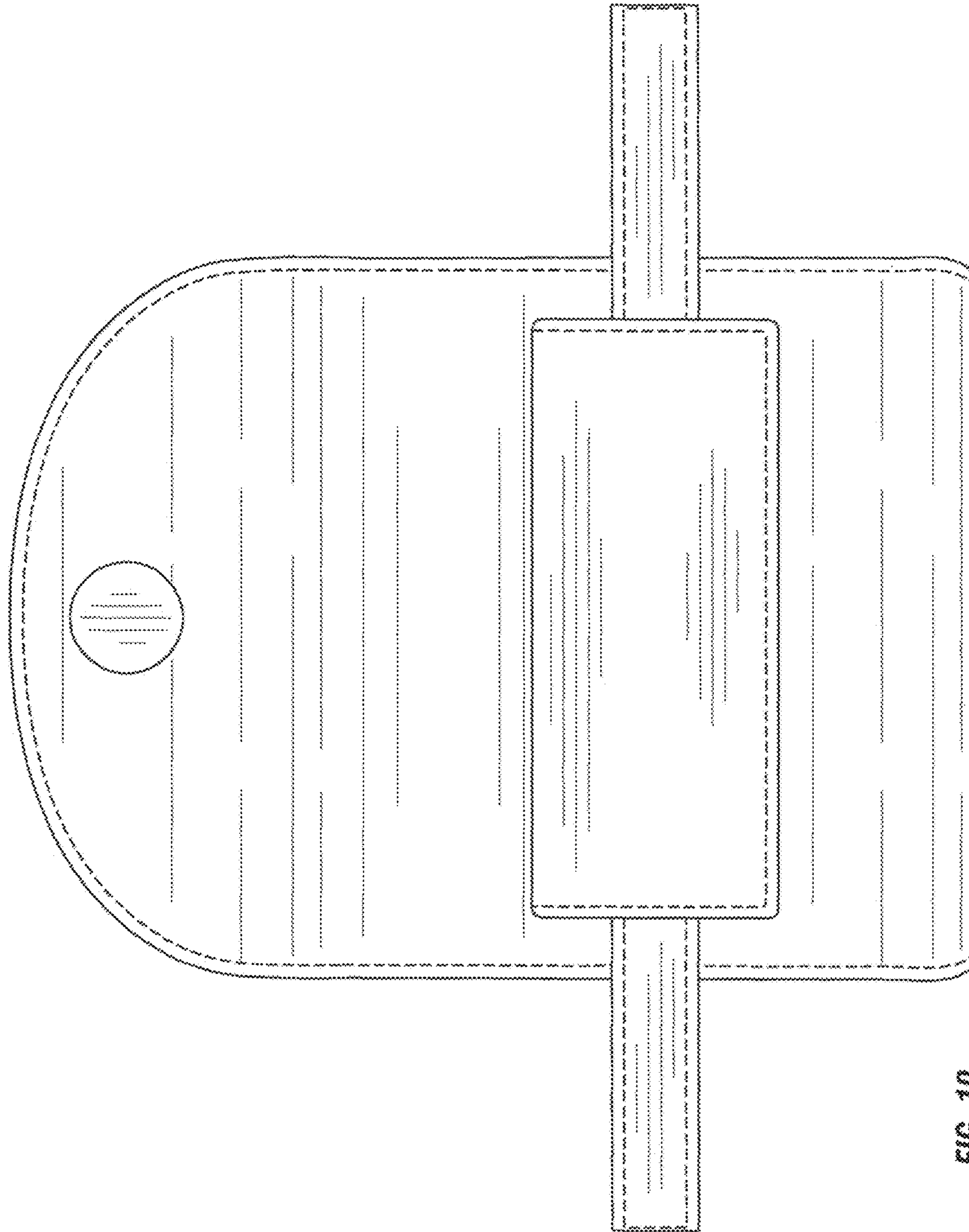


FIG. 10