



US00D838975S

(12) **United States Design Patent** (10) **Patent No.:** **US D838,975 S**  
**Smilovic et al.** (45) **Date of Patent:** **\*\* \*Jan. 29, 2019**

(54) **HANDBAG**

- (71) Applicant: **Tibi, LLC**, New York, NY (US)
- (72) Inventors: **Amy Smilovic**, New York, NY (US);  
**Myriam Schaefer**, Lugano (CH)
- (73) Assignee: **Tibi, LLC**, New York, NY (US)
- (\*) Notice: This patent is subject to a terminal disclaimer.
- (\*\*) Term: **15 Years**
- (21) Appl. No.: **29/574,554**
- (22) Filed: **Aug. 16, 2016**
- (51) **LOC (11) Cl.** ..... **03-01**
- (52) **U.S. Cl.**  
USPC ..... **D3/232**
- (58) **Field of Classification Search**  
USPC ..... D3/232-233, 240-243, 245-246  
CPC ..... A45C 1/024; A45C 3/06  
See application file for complete search history.

(56) **References Cited**

U.S. PATENT DOCUMENTS

D651,794 S	*	1/2012	Hargens	.....	D3/232
D722,228 S	*	2/2015	Zwetzig	.....	D3/232
D742,634 S	*	11/2015	Zwetzig	.....	D3/232
D758,719 S	*	6/2016	Harper	.....	D3/232

OTHER PUBLICATIONS

“Evaluation Report of Design Patent” for related Chinese Patent No. ZL 201630530442.7, dated Oct. 25, 2018.

\* cited by examiner

*Primary Examiner* — Holly H Baynham  
(74) *Attorney, Agent, or Firm* — Justin W. McCabe; Dunkiel Saunders Elliott Raubvogel & Hand, PLLC

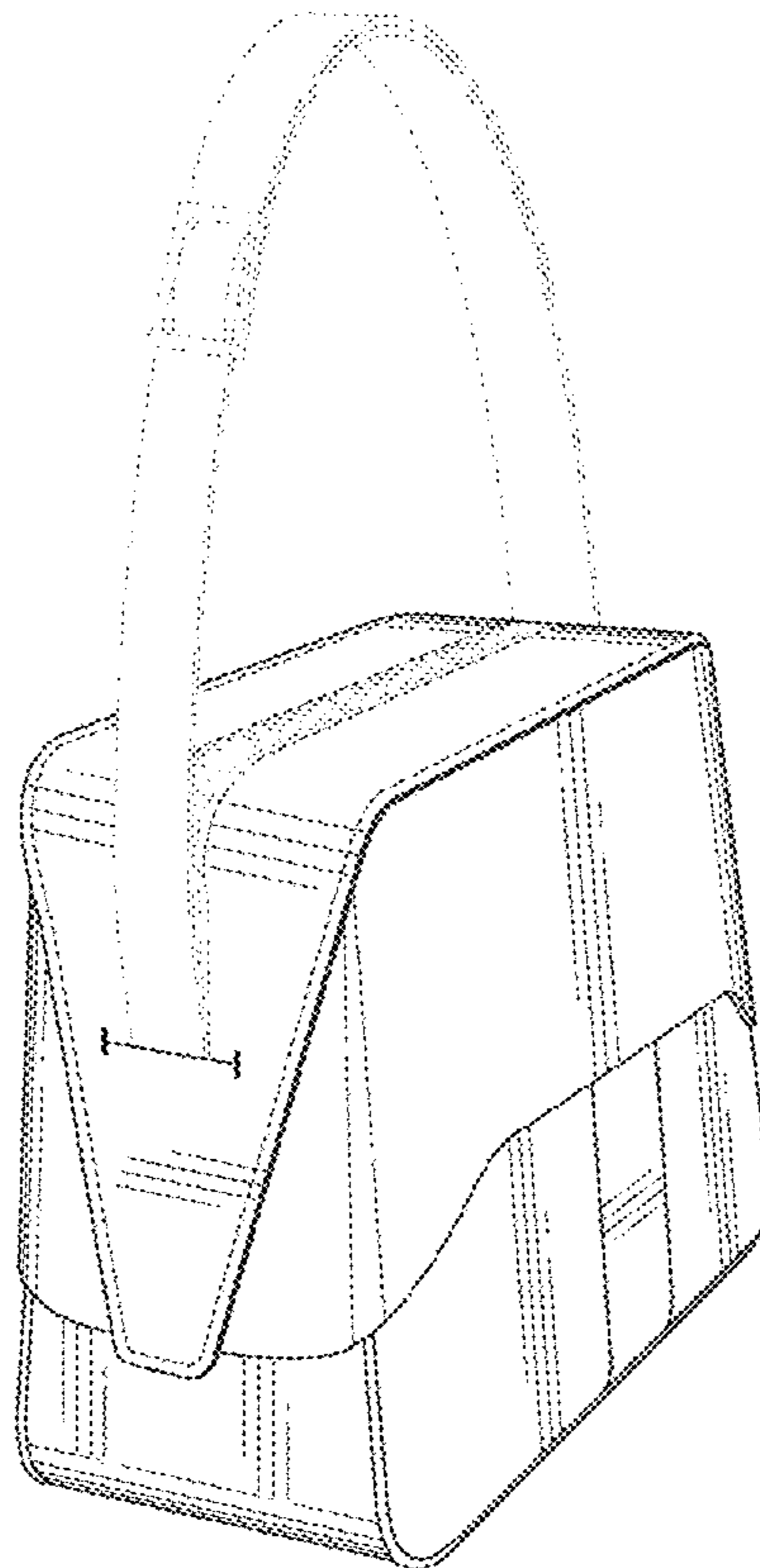
(57) **CLAIM**

The ornamental design for a handbag, as shown and described.

**DESCRIPTION**

FIG. 1 is a perspective view of a handbag showing our new design;  
 FIG. 2 is a front view thereof;  
 FIG. 3 is a rear view thereof;  
 FIG. 4 is a right side view thereof;  
 FIG. 5 is a left side view thereof;  
 FIG. 6 is a top plan view thereof; and,  
 FIG. 7 is a bottom plan view thereof.  
 The broken line shown in the Figures is included for the purpose of illustrating a portion of the handbag that forms no part of the claimed design.

**1 Claim, 7 Drawing Sheets**



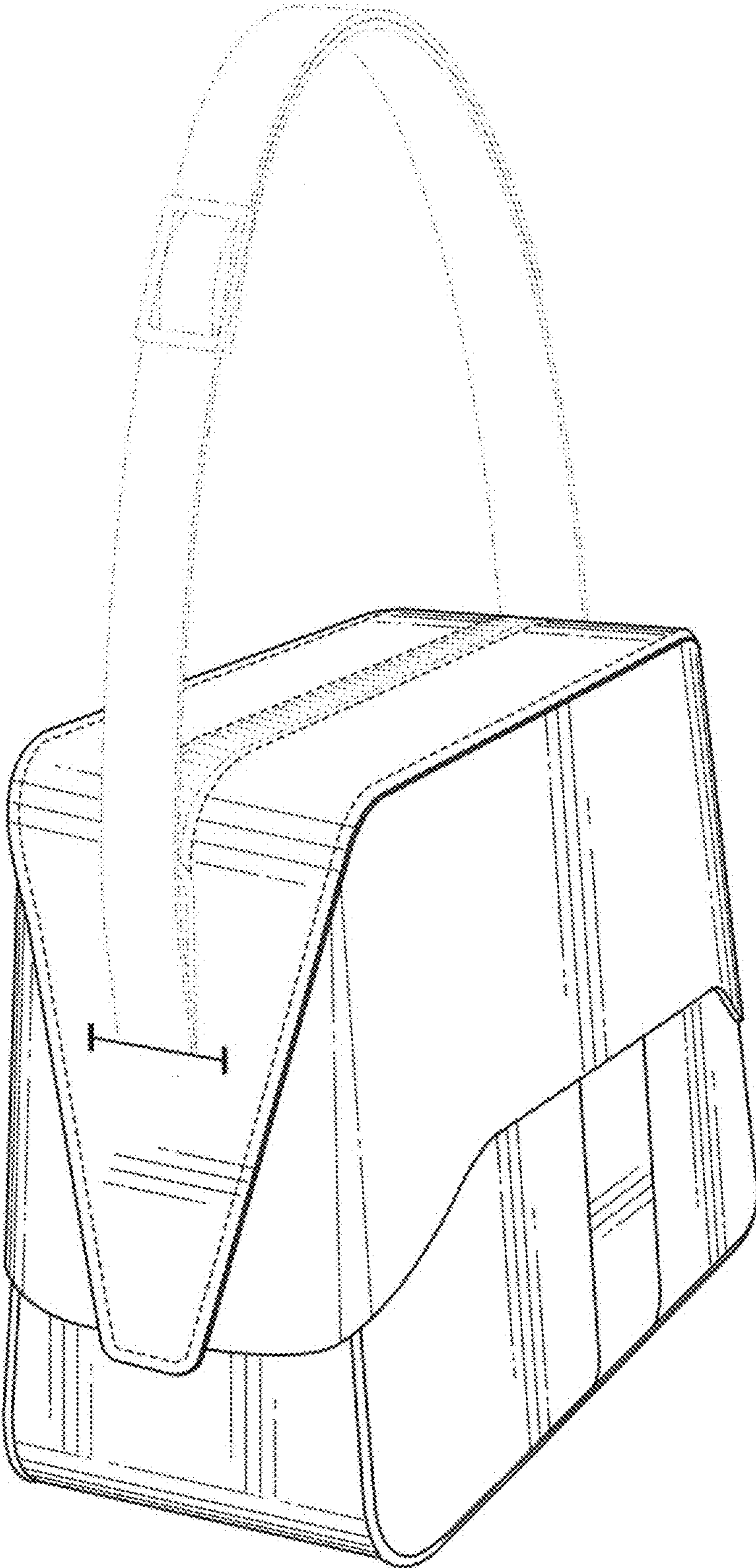


FIG. 1

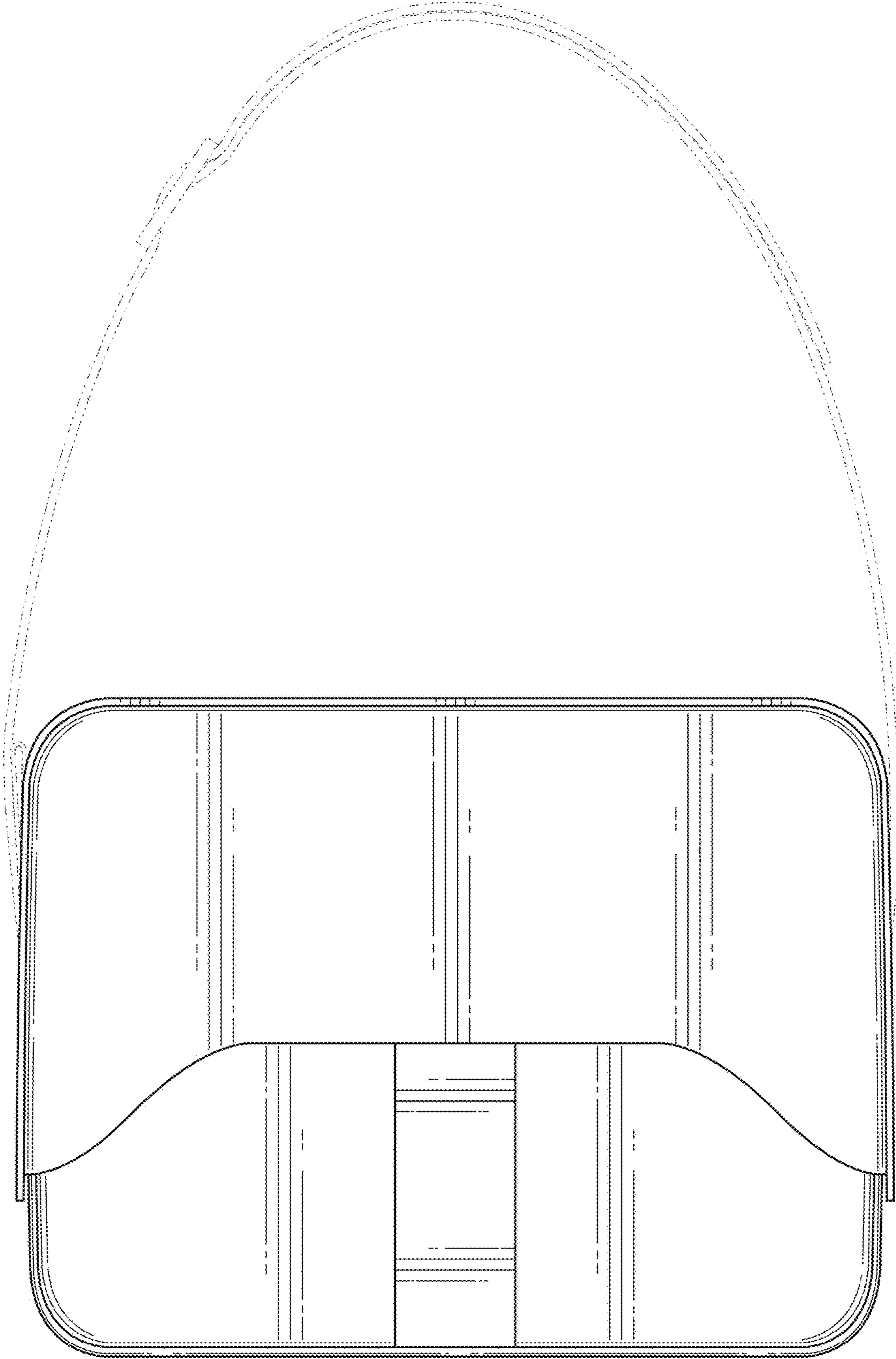


FIG. 2

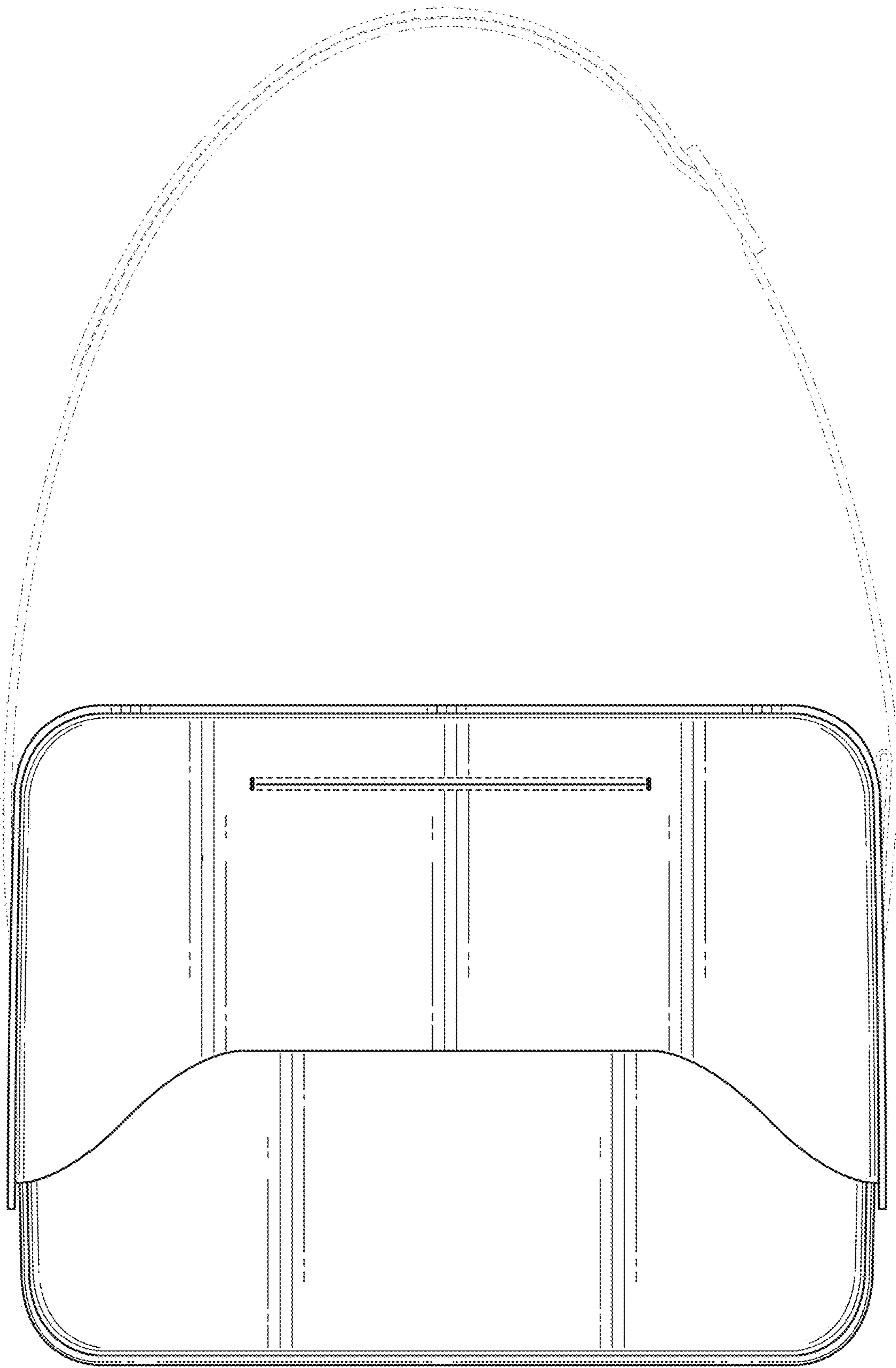


FIG. 3

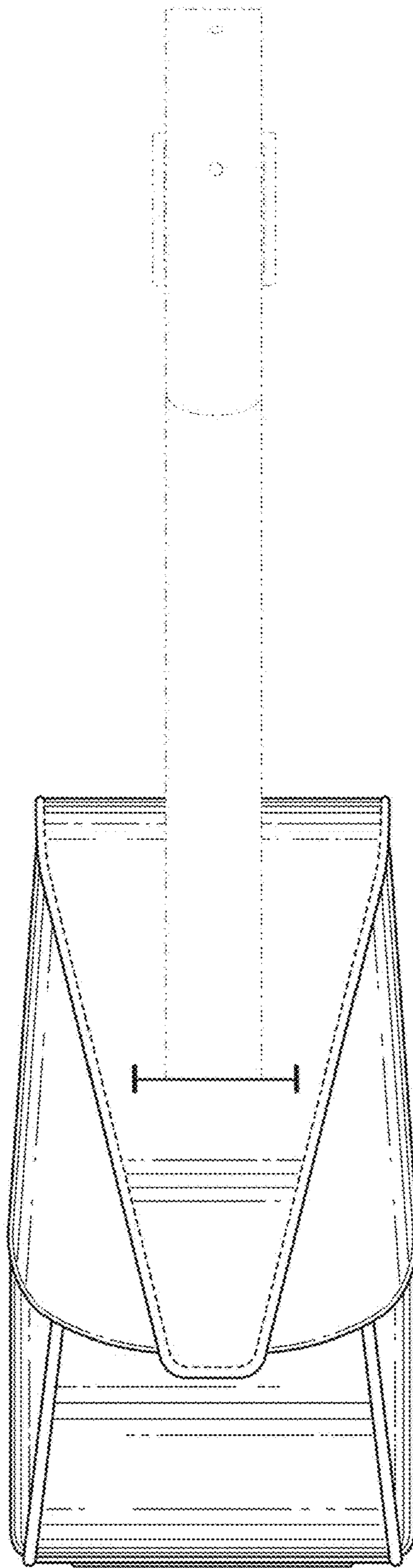


FIG. 4

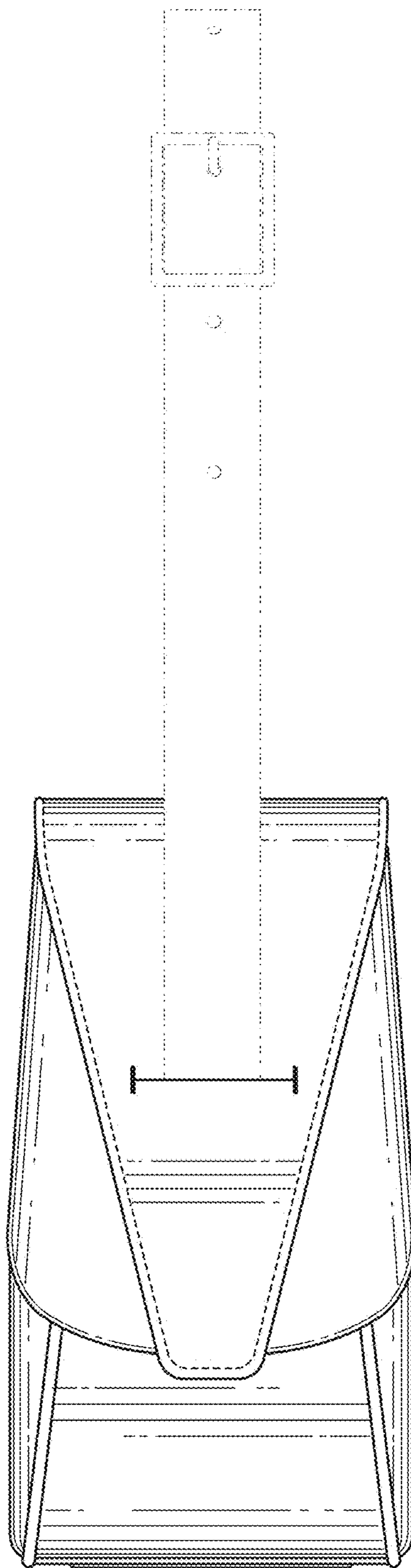


FIG. 5

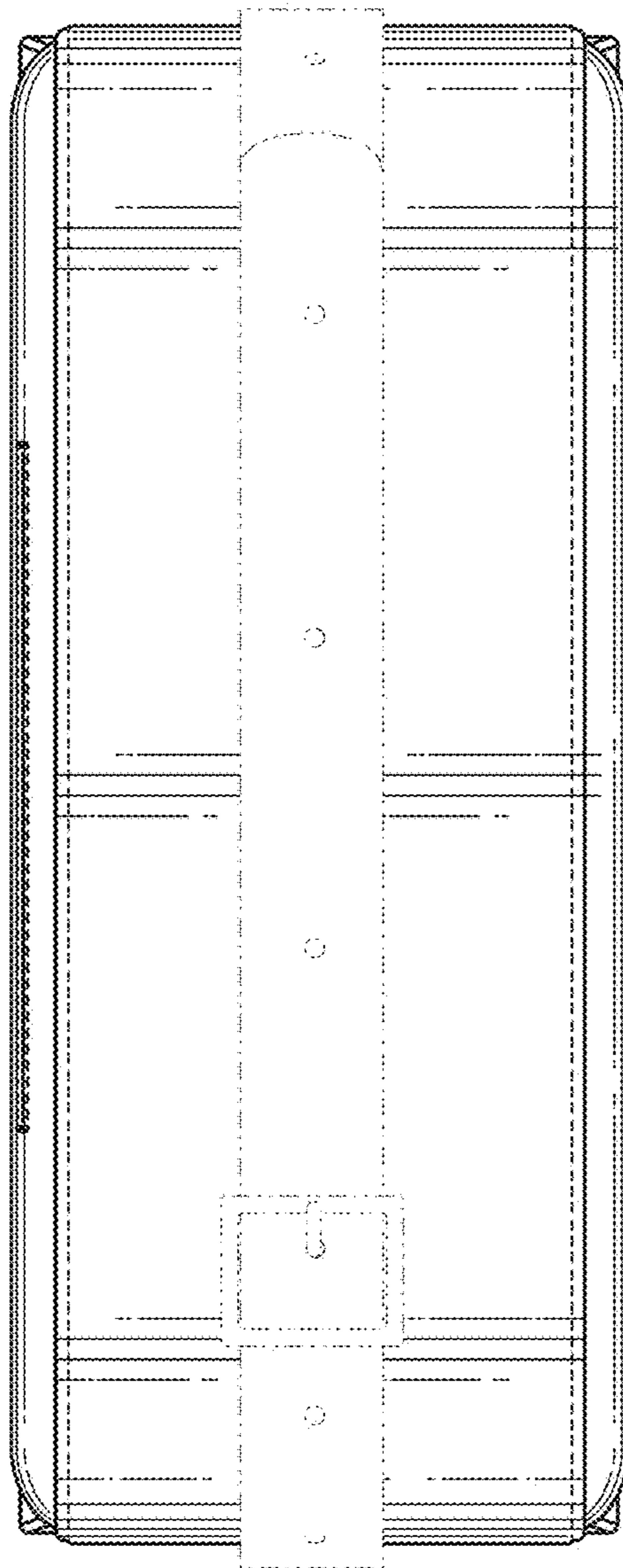


FIG. 6

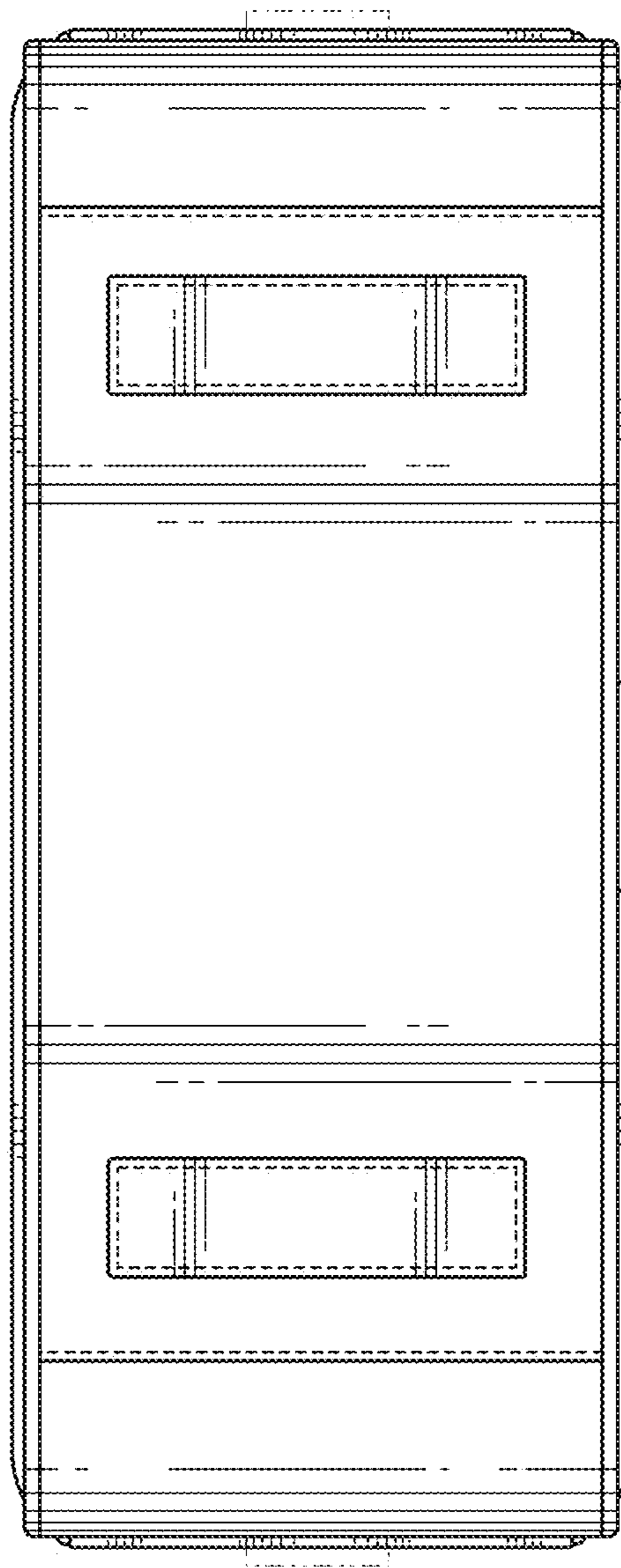


FIG. 7