



US00D838972S

(12) **United States Design Patent**
Goldstein

(10) **Patent No.:** **US D838,972 S**

(45) **Date of Patent:** **** Jan. 29, 2019**

(54) **KEY HOLDER**

(71) Applicant: **Avraham Goldstein**, Flushing, NY
(US)

(72) Inventor: **Avraham Goldstein**, Flushing, NY
(US)

(**) Term: **15 Years**

(21) Appl. No.: **29/627,618**

(22) Filed: **Nov. 28, 2017**

(51) **LOC (11) Cl.** **03-01**

(52) **U.S. Cl.**
USPC **D3/208**

(58) **Field of Classification Search**

USPC D3/207–212; 70/456 B, 457, 458, 408,
70/456 R; D13/168; D8/347; D10/104;
D14/496, 411; 206/37.1; D21/604, 605,
D21/656, 658, 659; 24/3.6; D11/11, 79,
D11/81, 82, 87

CPC H04B 1/034; F04B 15/00; E05B 19/00;
E05B 19/04; A44B 15/00; A44B 15/002;
A44B 15/005; A44B 15/007

See application file for complete search history.

(56) **References Cited**

U.S. PATENT DOCUMENTS

3,882,704 A * 5/1975 Shanok A44B 15/00
70/456 R
D238,976 S * 2/1976 Dolas D3/208

D403,814 S * 1/1999 Stanford D3/208
D551,851 S * 10/2007 Vincent D3/208
D557,491 S * 12/2007 Cerullo D3/207
D656,651 S * 3/2012 Gorman D26/47
D707,442 S * 6/2014 Ventrello D3/208
D826,550 S * 8/2018 Filakousky D3/207

* cited by examiner

Primary Examiner — Ralf Seifert

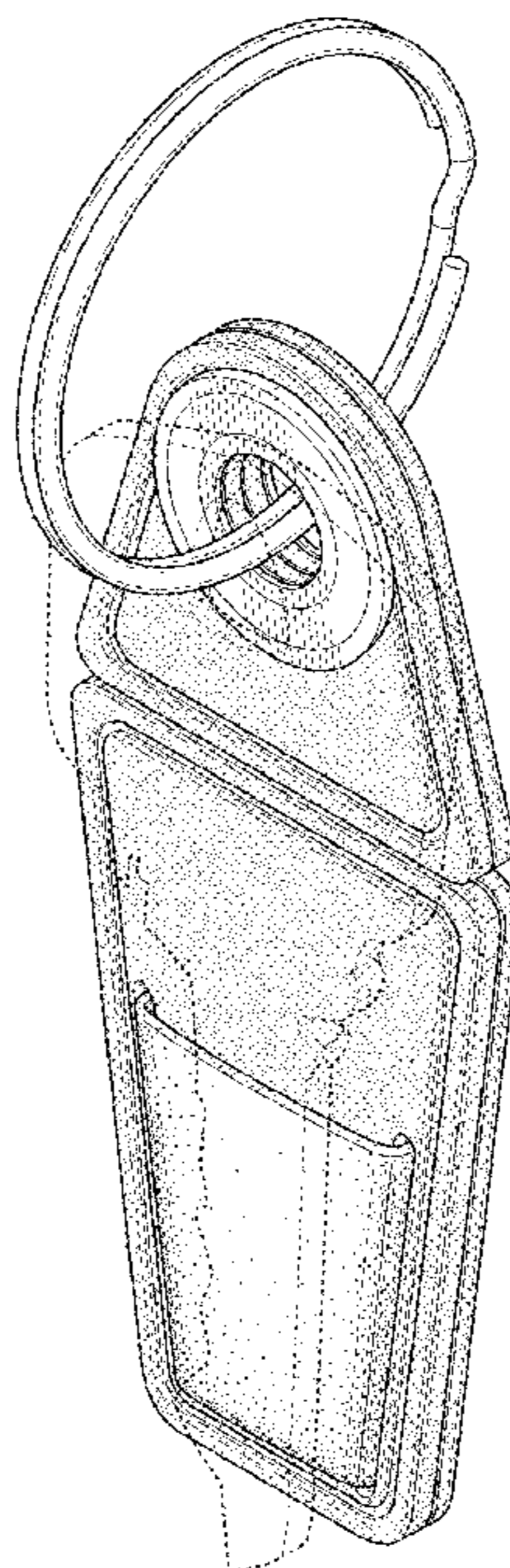
(57) **CLAIM**

I claim the ornamental design for a key holder, as shown and described.

DESCRIPTION

FIG. 1 is a perspective view of the key holder of the claimed design;
FIG. 2 is a front side view of the key holder of FIG. 1;
FIG. 3 is a back side view of the key holder of FIG. 1;
FIG. 4 is a right side view of the key holder of FIG. 1;
FIG. 5 is a left side view of the key holder of FIG. 1;
FIG. 6 is a top side view of the key holder of FIG. 1; and,
FIG. 7 is a bottom side view of the key holder of FIG. 1.
The broken lines in FIG. 1 illustrate the placement of a key and form no part of the claimed design.

1 Claim, 6 Drawing Sheets



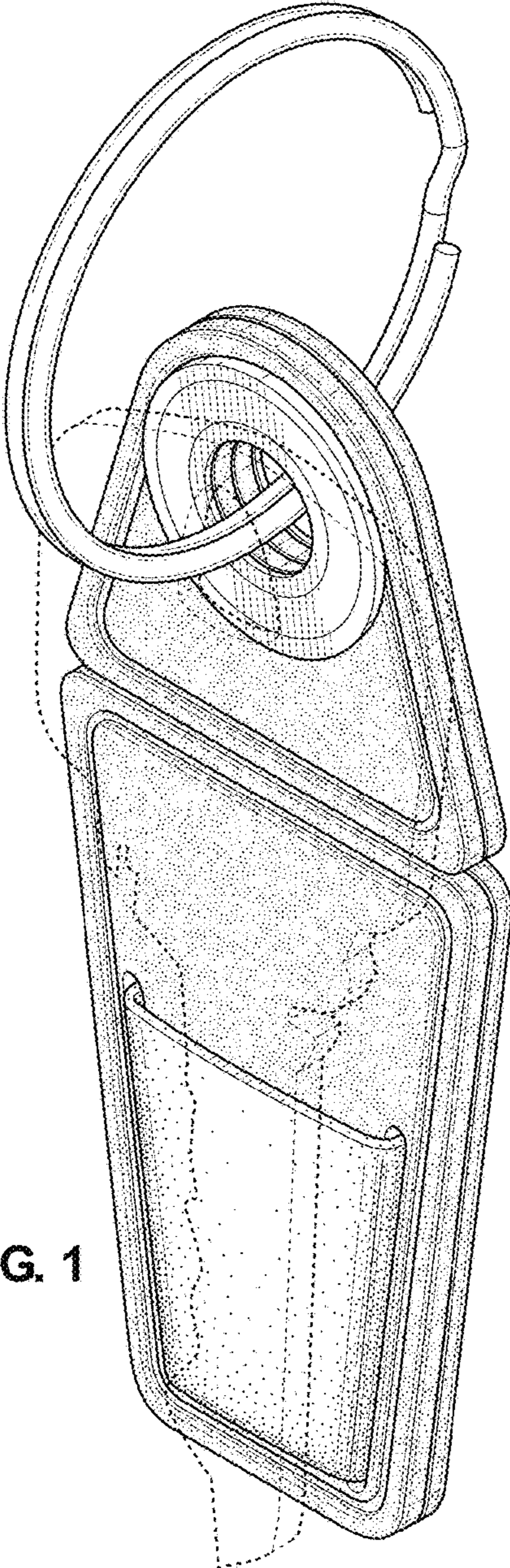


FIG. 1

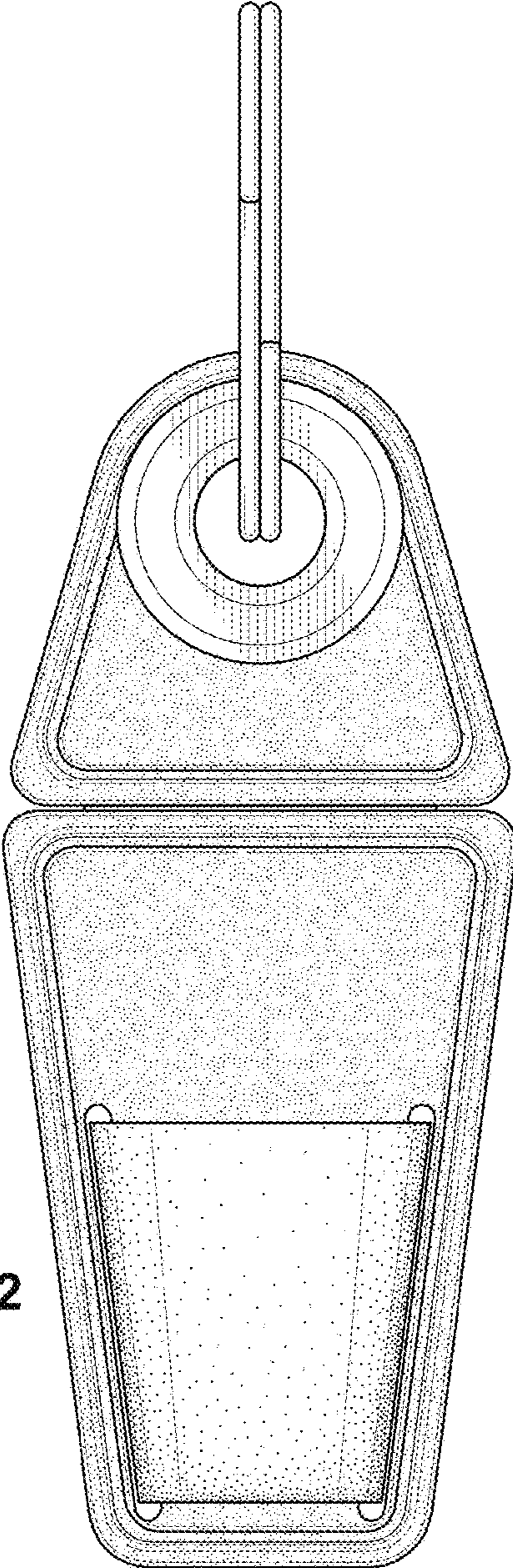


FIG. 2

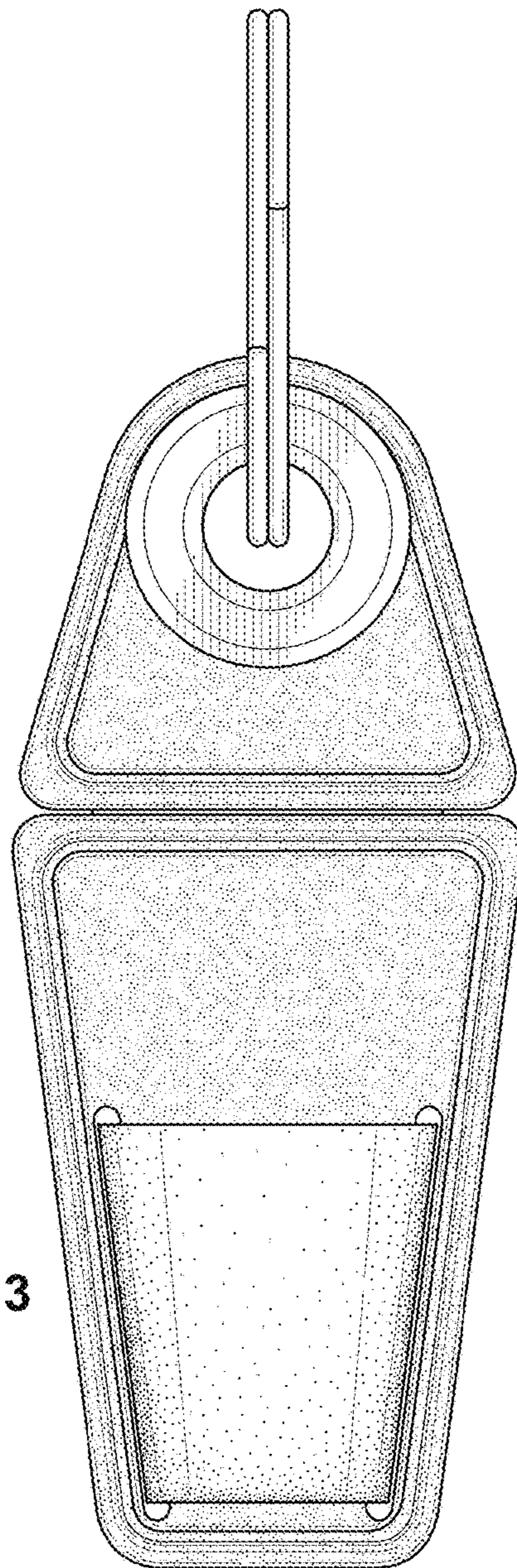


FIG. 3

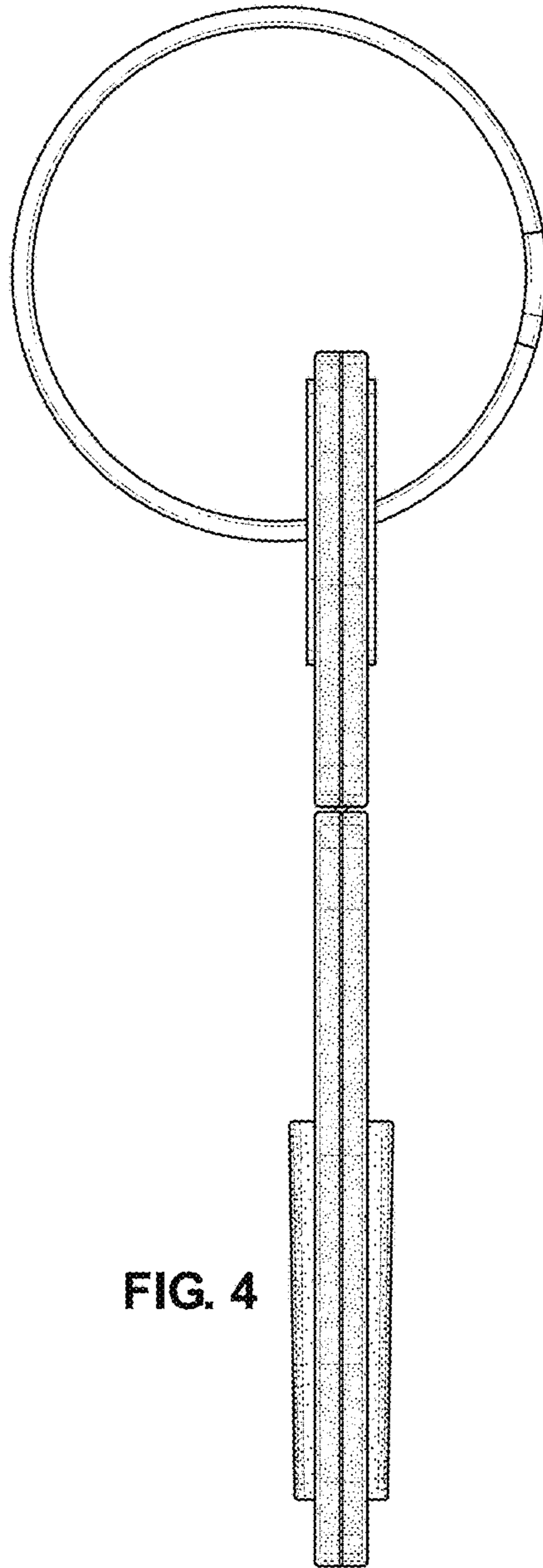


FIG. 4

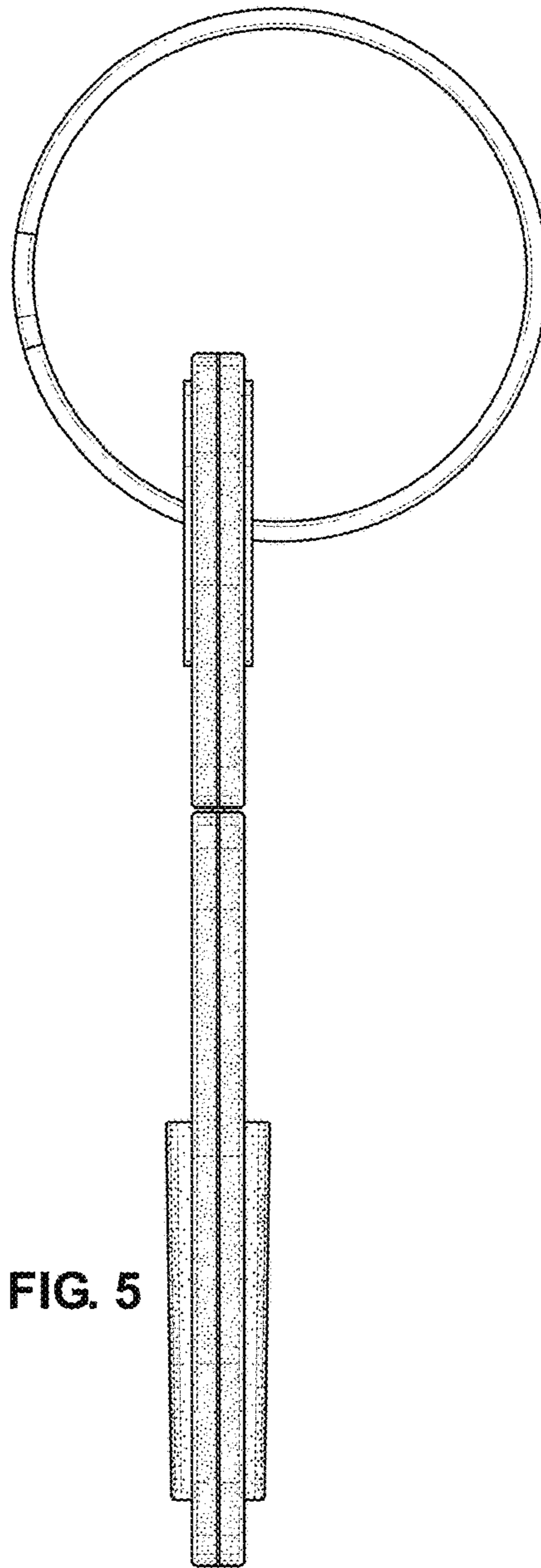


FIG. 5

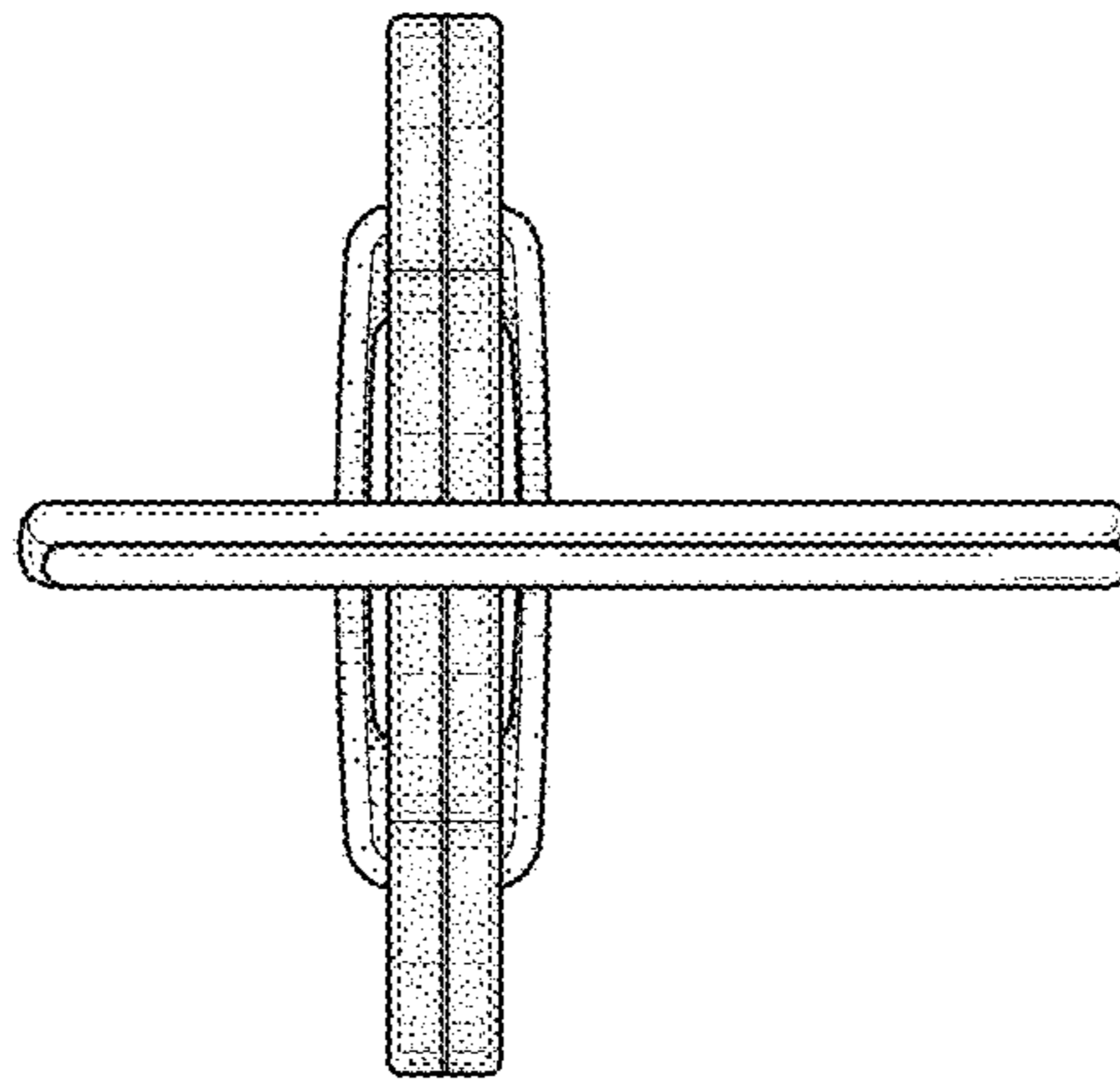


FIG. 6

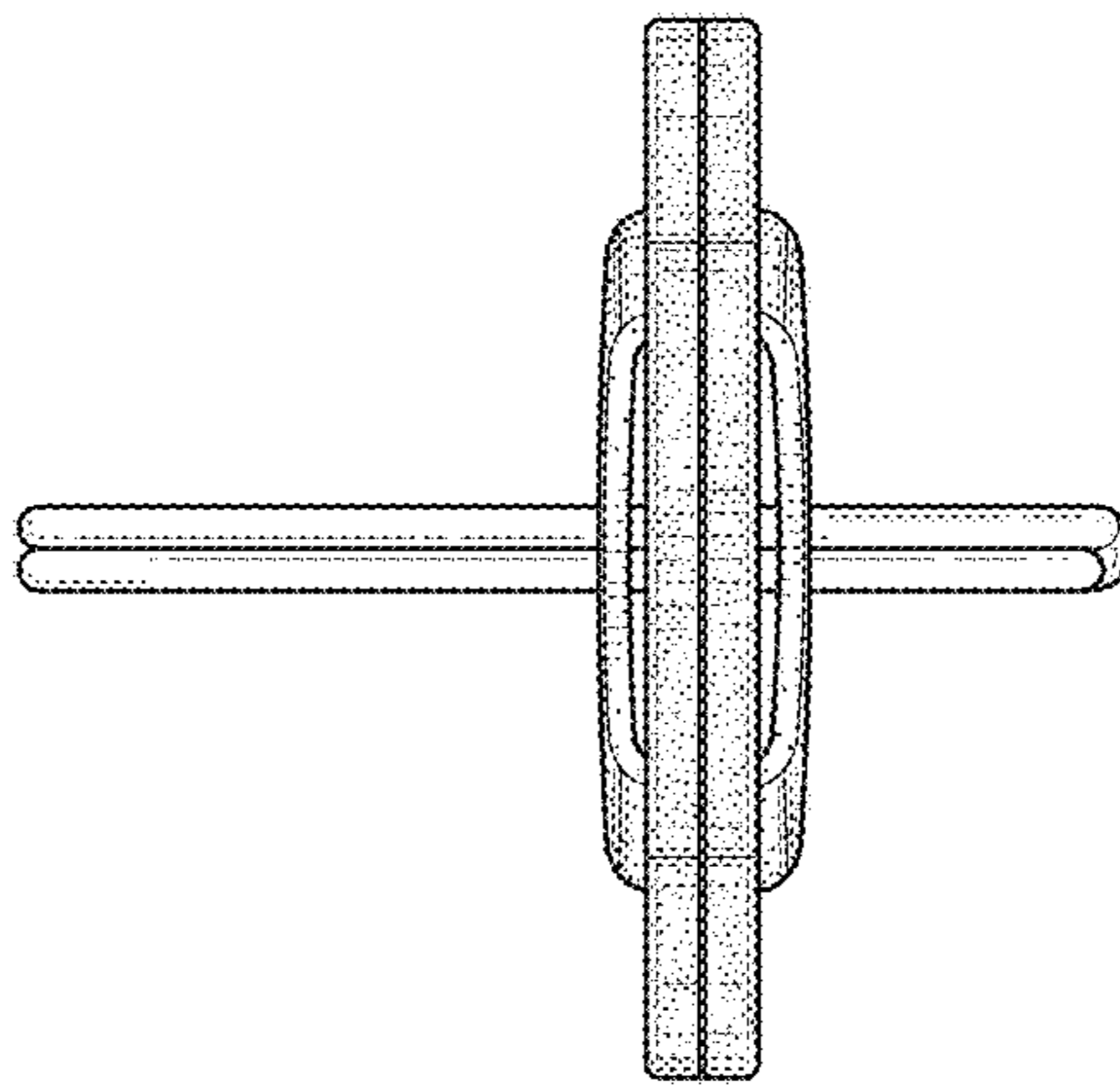


FIG. 7