



US00D838971S

(12) **United States Design Patent**
Deanda

(10) **Patent No.:** **US D838,971 S**
(45) **Date of Patent:** **** Jan. 29, 2019**

- (54) **EMERGENCY BAG**
- (71) Applicant: **Erik Deanda**, Spring Valley, CA (US)
- (72) Inventor: **Erik Deanda**, Spring Valley, CA (US)
- (**) Term: **15 Years**
- (21) Appl. No.: **29/551,440**
- (22) Filed: **Jan. 13, 2016**
- (51) **LOC (11) Cl.** **03-01**
- (52) **U.S. Cl.**
USPC **D3/203.6; D3/273**
- (58) **Field of Classification Search**
USPC D3/203.1, 203.6, 271.9, 273, 274, 276,
D3/283, 284, 285, 286, 287, 290, 301,
D3/901, 902, 303, 905, 203.7; D7/607
CPC A45C 3/00; A45C 3/001; A45C 2003/008;
A45C 5/00; A45C 5/005; A45C 5/06;
A45C 2011/007
See application file for complete search history.

D762,978 S *	8/2016	Boroski	D3/283
D765,967 S *	9/2016	Boroski	D3/232
D768,378 S *	10/2016	Schilp	D3/232
D771,944 S *	11/2016	Epicureo	D3/305

OTHER PUBLICATIONS

Morton Medical, "Elite Emergency Large Capacity bag in Red", Accessed Mar. 3, 2017. (http://www.mortonmedical.co.uk/Elite_Emergency_Large_Capacity_bag_in_Red~p~16723.htm).*

* cited by examiner

Primary Examiner — Jennifer Rivard

Assistant Examiner — April Rivas

(74) *Attorney, Agent, or Firm* — Donn K. Harms

(57) **CLAIM**

An ornamental design for an emergency bag, as shown and described.

DESCRIPTION

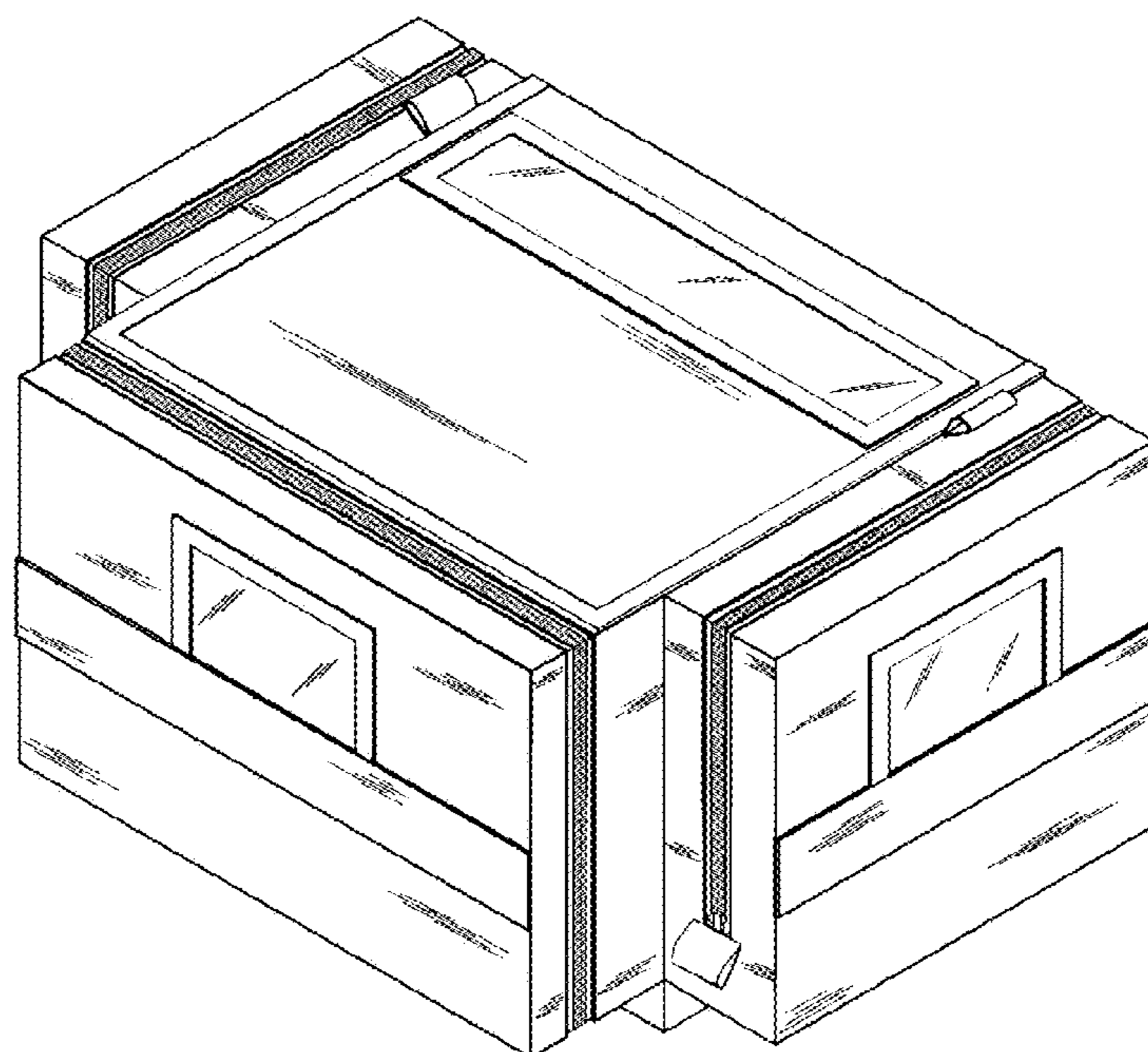
FIG. 1 is an overhead perspective view of an emergency bag showing my new design;
FIG. 2 is a left side elevational view thereof;
FIG. 3 is a right side elevational view thereof;
FIG. 4 is a top plan view thereof;
FIG. 5 is a bottom plan view thereof;
FIG. 6 is a front elevational view thereof; and,
FIG. 7 is a rear elevational view thereof.
The broken lines illustrate portions of the emergency bag and form no part of the claimed design.

1 Claim, 5 Drawing Sheets

(56) **References Cited**

U.S. PATENT DOCUMENTS

D291,149 S *	8/1987	Smith	D3/287
D311,452 S *	10/1990	Ehret	D3/286
D389,305 S *	1/1998	Hauschild	D3/260
D398,191 S *	9/1998	Melk	D7/607
D401,062 S *	11/1998	Hauschild	D3/283
D423,779 S *	5/2000	Goatcher	D3/283
D464,235 S *	10/2002	Jeong	D3/287
D575,059 S *	8/2008	Cappiello	D3/283



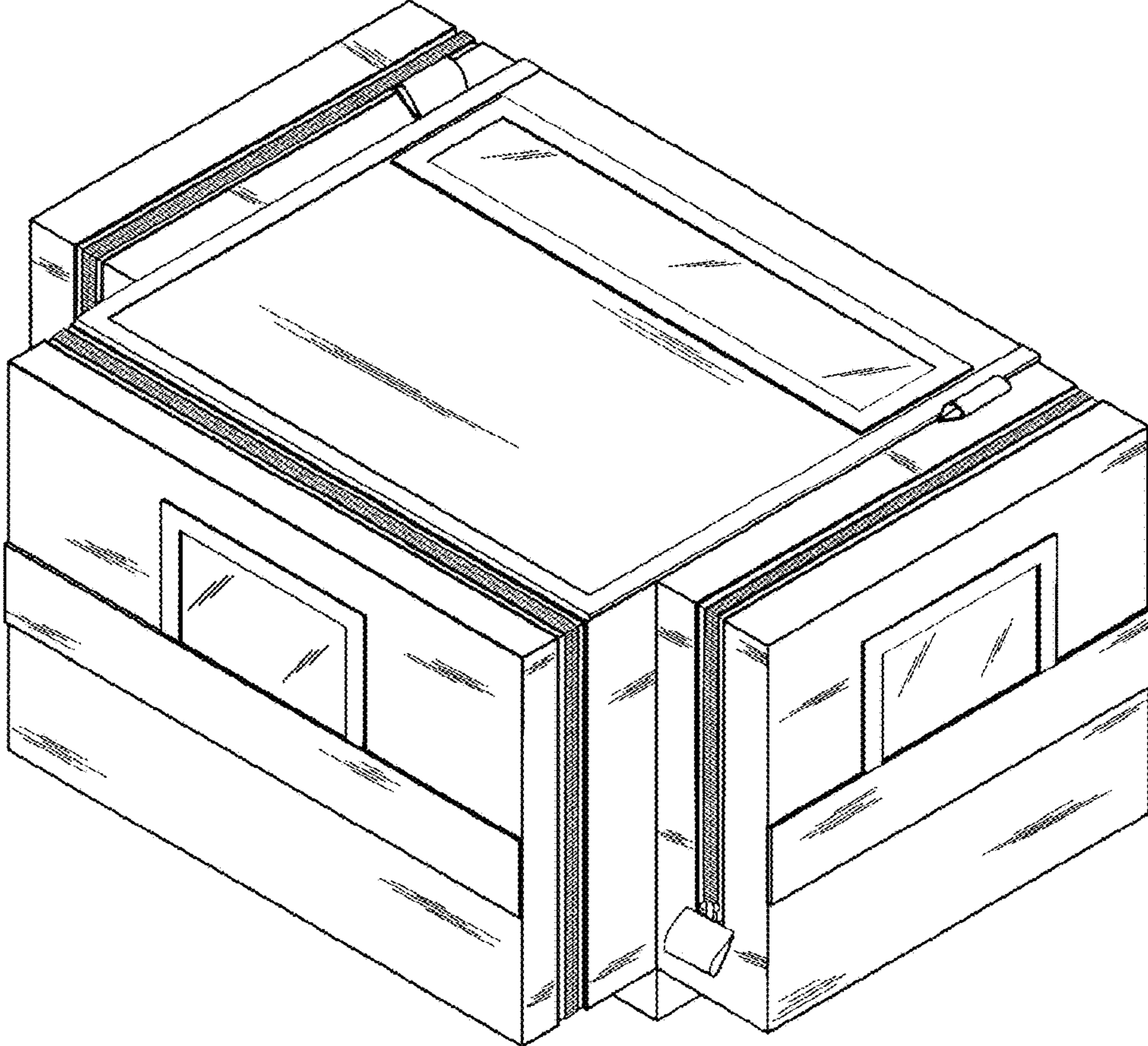


FIG. 1

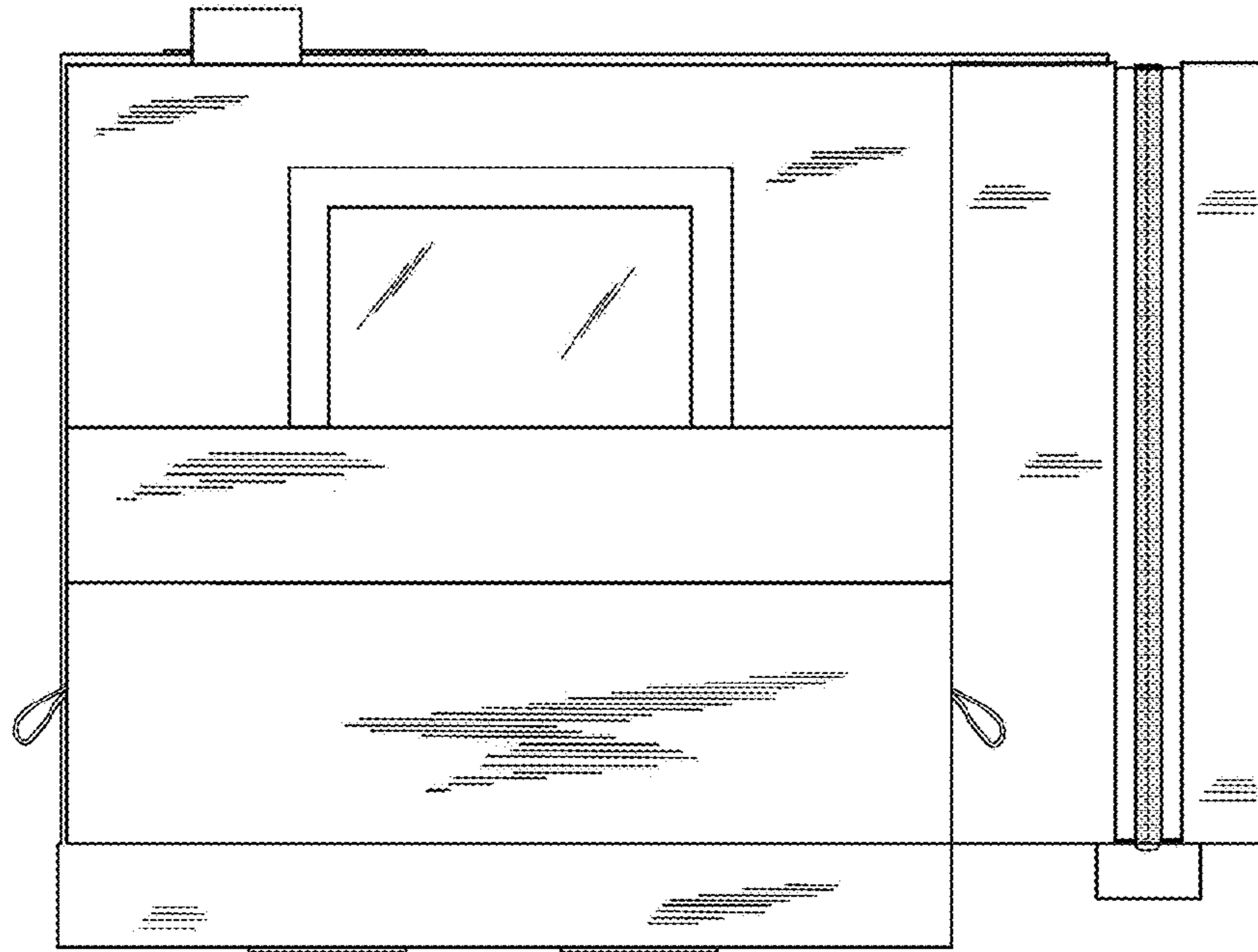


FIG. 2

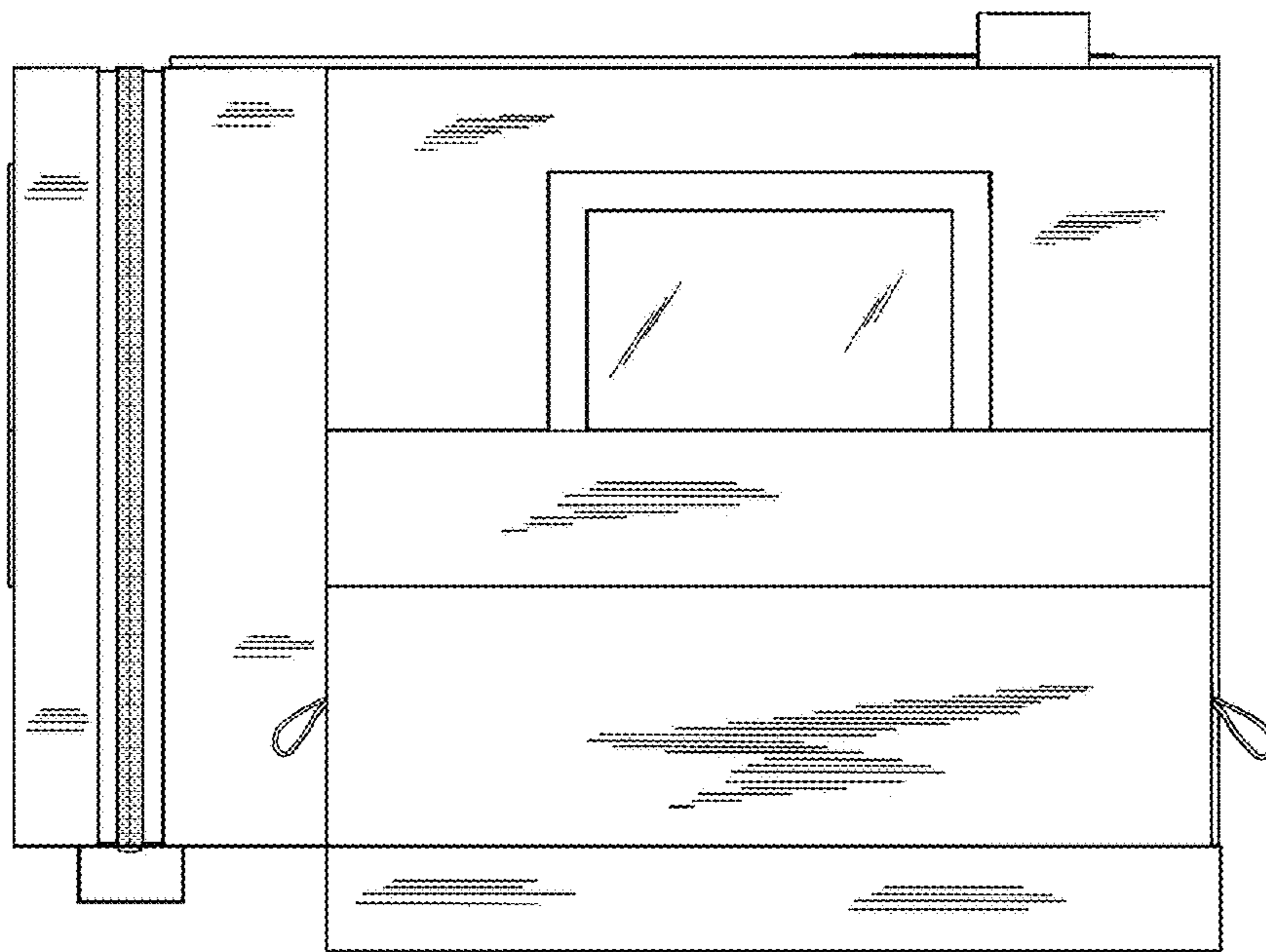


FIG. 3

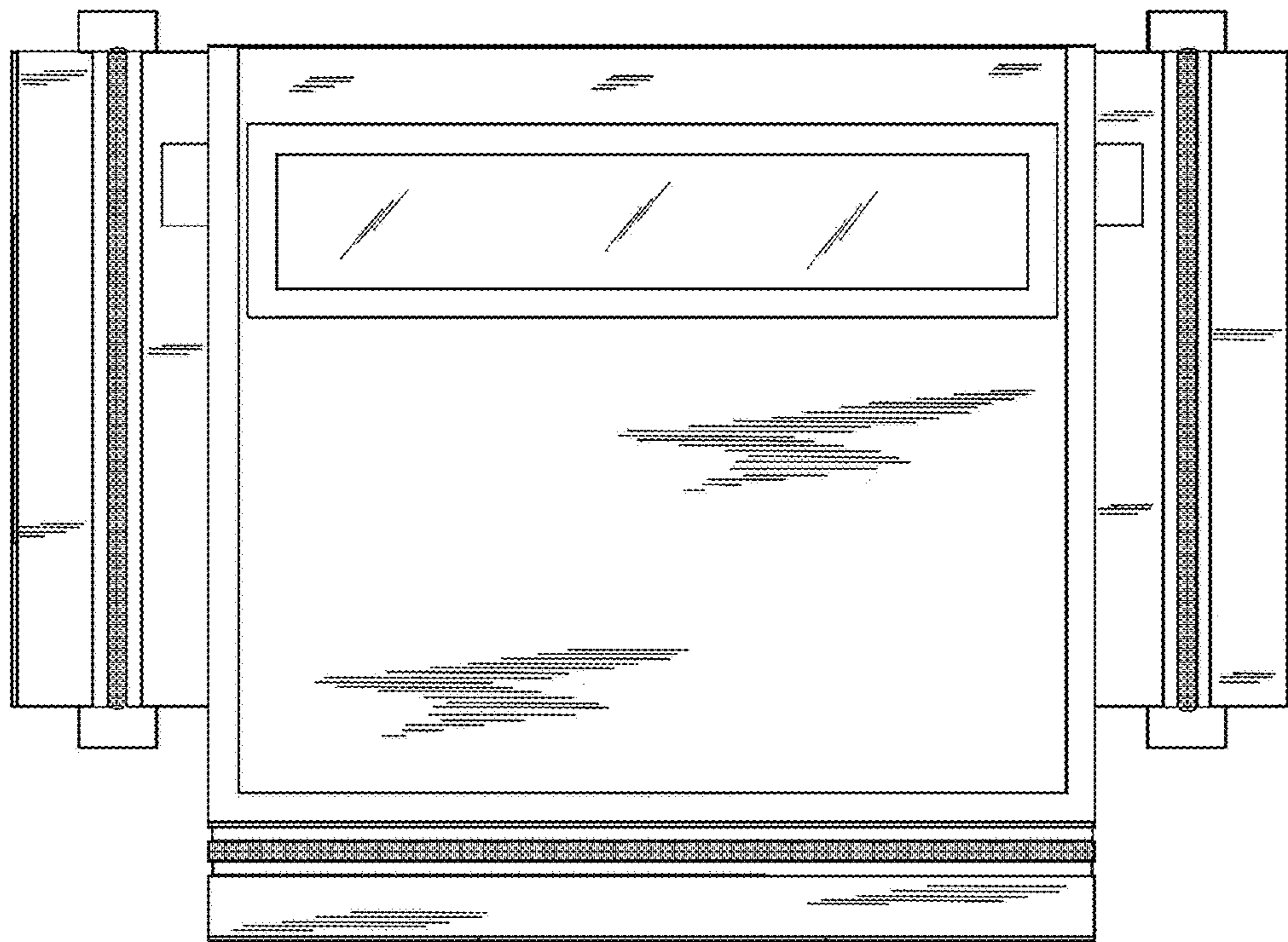


FIG. 4

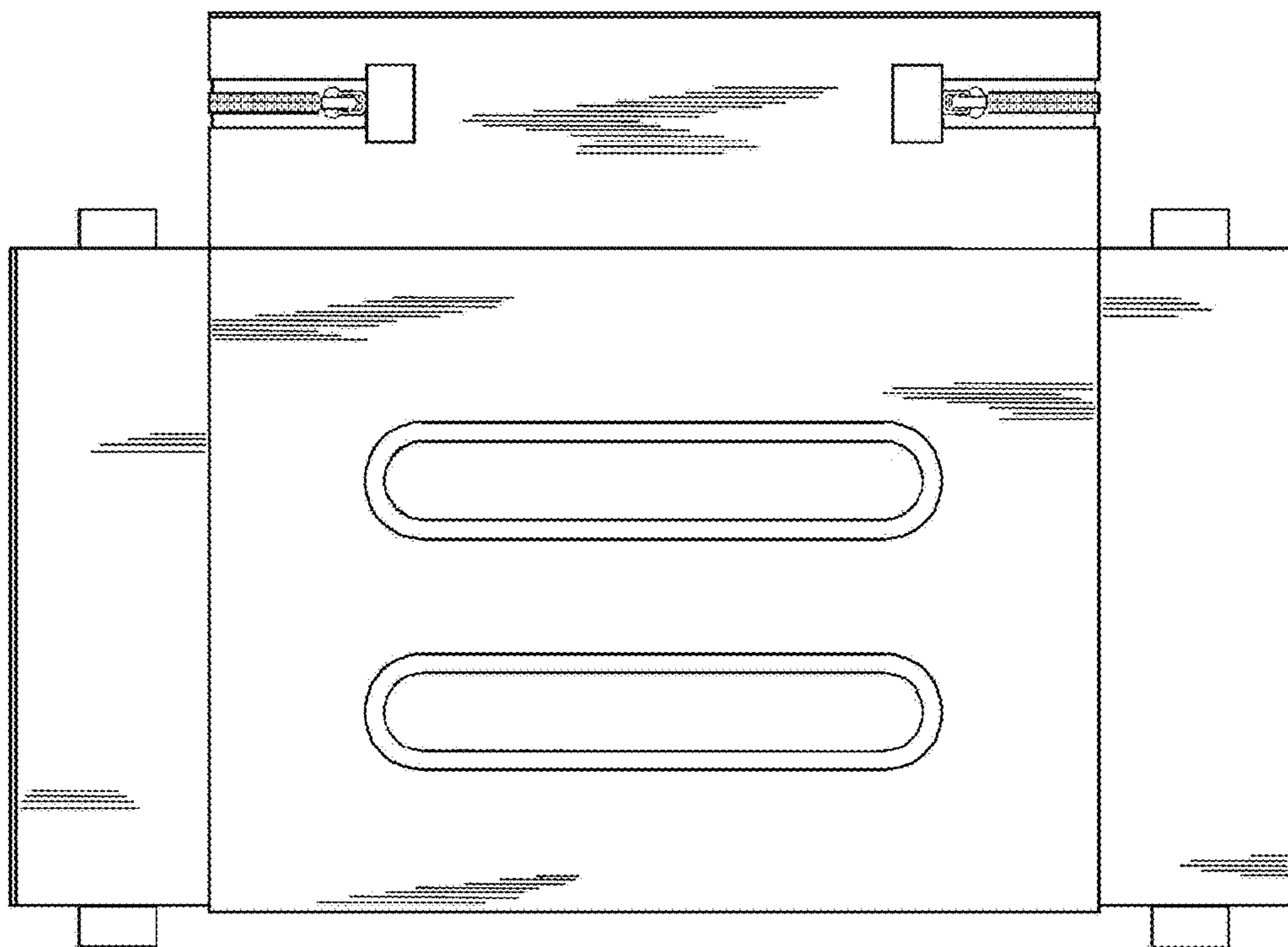


FIG. 5

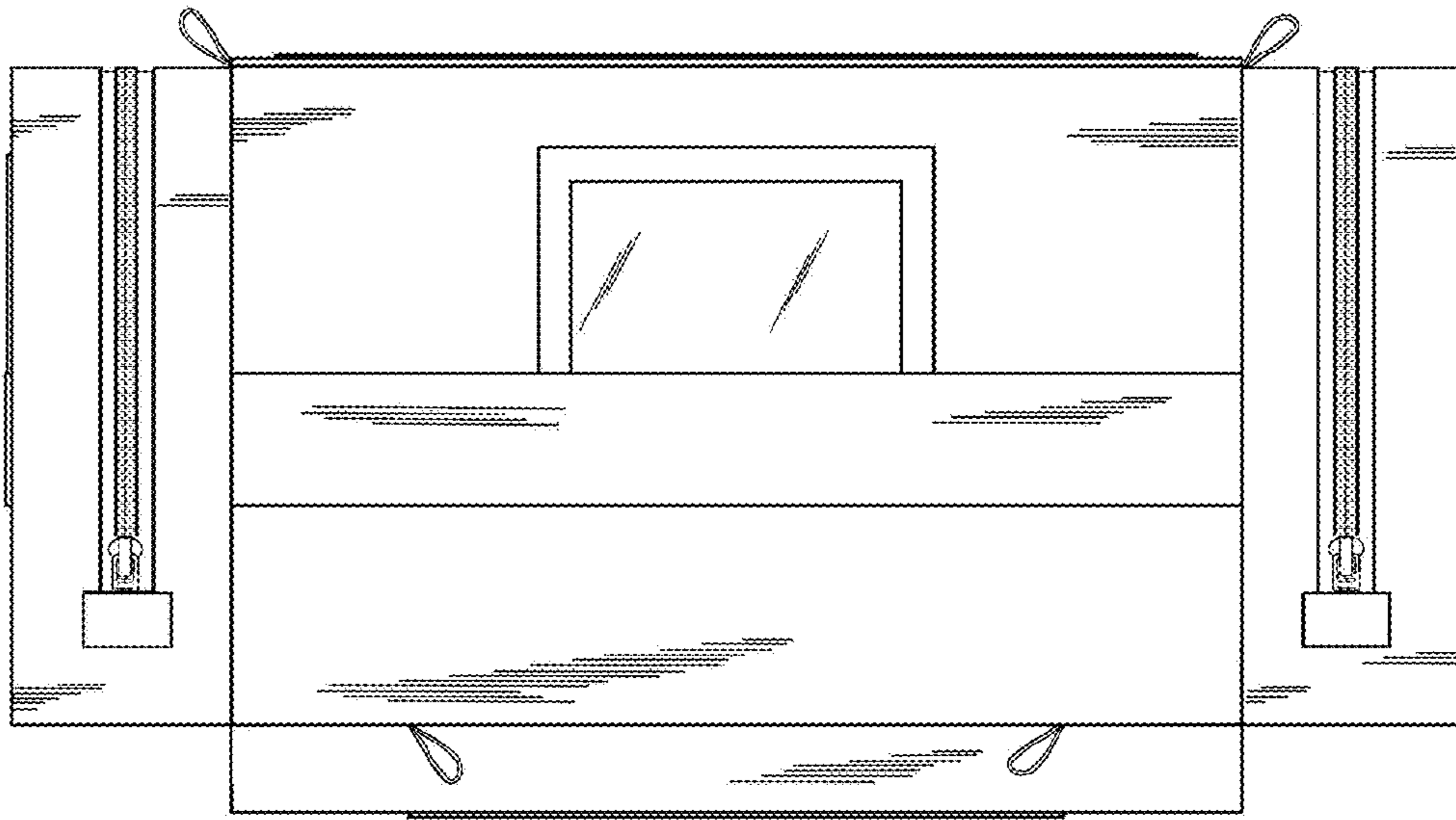


FIG. 6

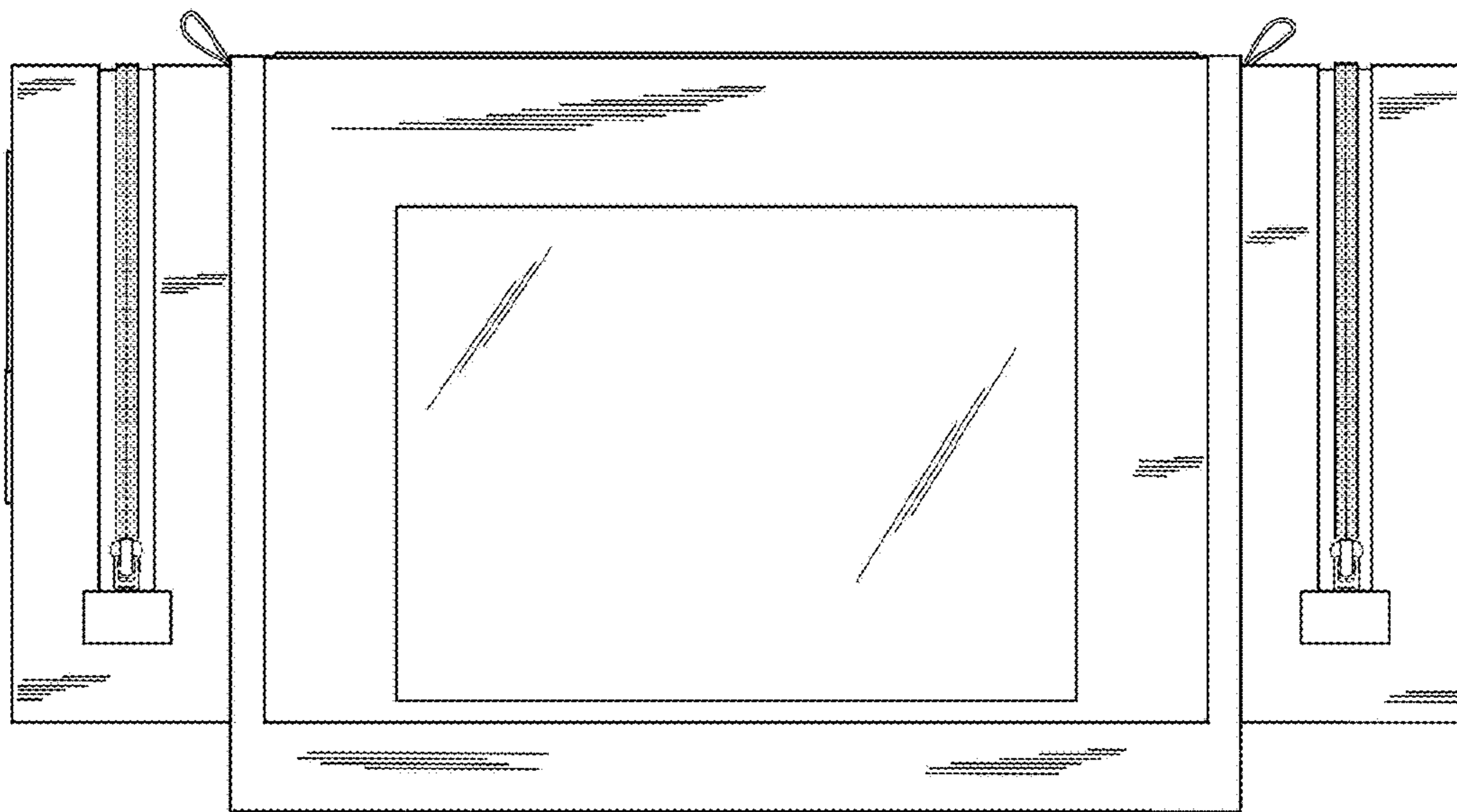


FIG. 7