



US00D838970S

(12) **United States Design Patent**
Connelly

(10) **Patent No.:** **US D838,970 S**

(45) **Date of Patent:** **** Jan. 29, 2019**

- (54) **KNITTING NEEDLE HOLDER**
- (71) Applicant: **Justin Connelly**, Anacortes, WA (US)
- (72) Inventor: **Justin Connelly**, Anacortes, WA (US)
- (**) Term: **15 Years**
- (21) Appl. No.: **29/591,238**
- (22) Filed: **Jan. 18, 2017**
- (51) **LOC (11) Cl.** **03-01**
- (52) **U.S. Cl.**
USPC **D3/20**
- (58) **Field of Classification Search**
USPC D3/18, 20, 21, 22, 23, 26, 27; D8/71,
D8/354, 360.1, 356, 396
CPC D04B 3/06; D04B 15/40; D04B 15/10;
D04B 15/482; D05B 55/00; D05B 85/00;
D05B 91/06; D05C 1/06; D05C 1/065
See application file for complete search history.

D324,984 S *	3/1992	Massey	D8/71
D358,094 S *	5/1995	DeGiacomo, Jr.	294/137
D362,386 S *	9/1995	Blocker	294/137
D375,832 S *	11/1996	Miller	D3/23
5,599,052 A *	2/1997	Van Davelaar	A45F 5/1026 283/75
D387,978 S *	12/1997	McNally, Jr.	D8/356
D422,867 S *	4/2000	Forbes	294/137
D448,650 S *	10/2001	Vrame	D8/354
D548,952 S *	8/2007	Mihara	D3/20
D573,787 S *	7/2008	Sweet	D3/23
D583,155 S *	12/2008	Melfi	D3/328
D628,101 S *	11/2010	Matsumoto	D10/64
D641,611 S *	7/2011	Minayoshi	D8/354
D655,598 S *	3/2012	Hsu	D8/356
D790,127 S *	6/2017	Verleur	D27/183

* cited by examiner

Primary Examiner — John Windmuller
Assistant Examiner — Steven J Czyz

(57) **CLAIM**

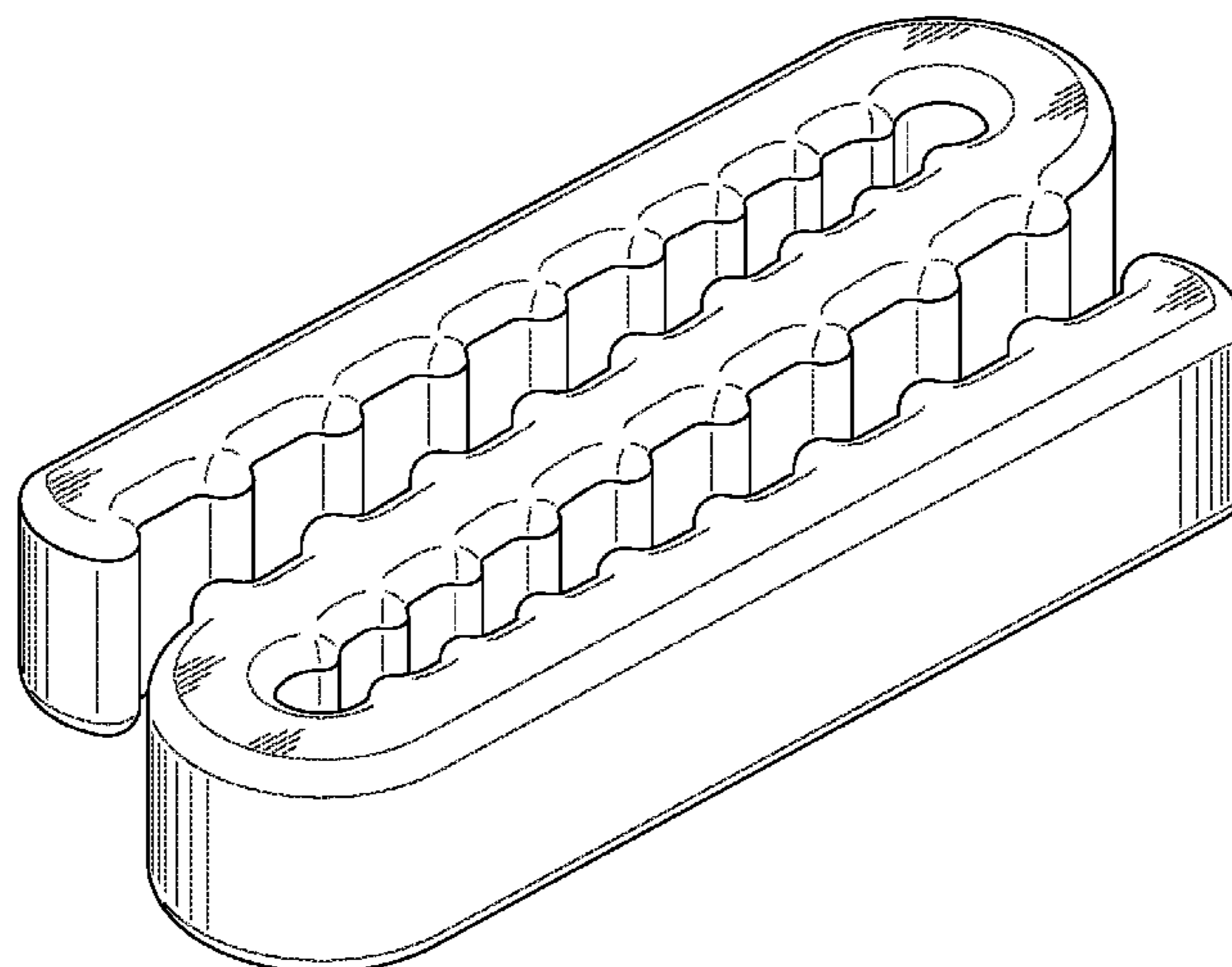
The ornamental design for a knitting needle holder, as shown and described.

DESCRIPTION

FIG. 1 is a top-side perspective view showing an exemplary knitting needle holder;
 FIGS. 2 & 3 are a right and left side view of the knitting needle holder;
 FIGS. 4 & 5 are a top and bottom view of the knitting needle holder;
 FIG. 6 is an alternate side view showing an exemplary knitting needle holder holding a pair of knitting needles; and,
 FIG. 7 is an alternate side view showing a knitting needle holder and cross section of knitting needles thereof.
 The broken lines showing knitting needles and a cross section thereof or portions thereof are not part of the claimed invention.

1 Claim, 5 Drawing Sheets

- (56) **References Cited**
U.S. PATENT DOCUMENTS
- 3,084,788 A * 4/1963 Ford D04B 3/00
206/383
- 3,833,183 A * 9/1974 Swatzell, Jr. D05C 1/065
242/127
- D233,312 S * 10/1974 Lock et al. D24/143
- 3,856,140 A * 12/1974 Fitts B65H 57/16
206/1.7
- D236,529 S * 8/1975 Courtney et al. D3/23
- D248,194 S * 6/1978 Urben D3/20
- D248,433 S * 7/1978 McCollum D22/147
- 4,380,296 A * 4/1983 Murray A47F 7/005
206/388
- D291,841 S * 9/1987 Owens D3/26
- D297,595 S * 9/1988 Sawai D3/20
- D311,812 S * 11/1990 Lord D3/23
- 4,978,008 A * 12/1990 Dalbo A47F 7/005
206/225
- D322,161 S * 12/1991 Dalbo D3/23



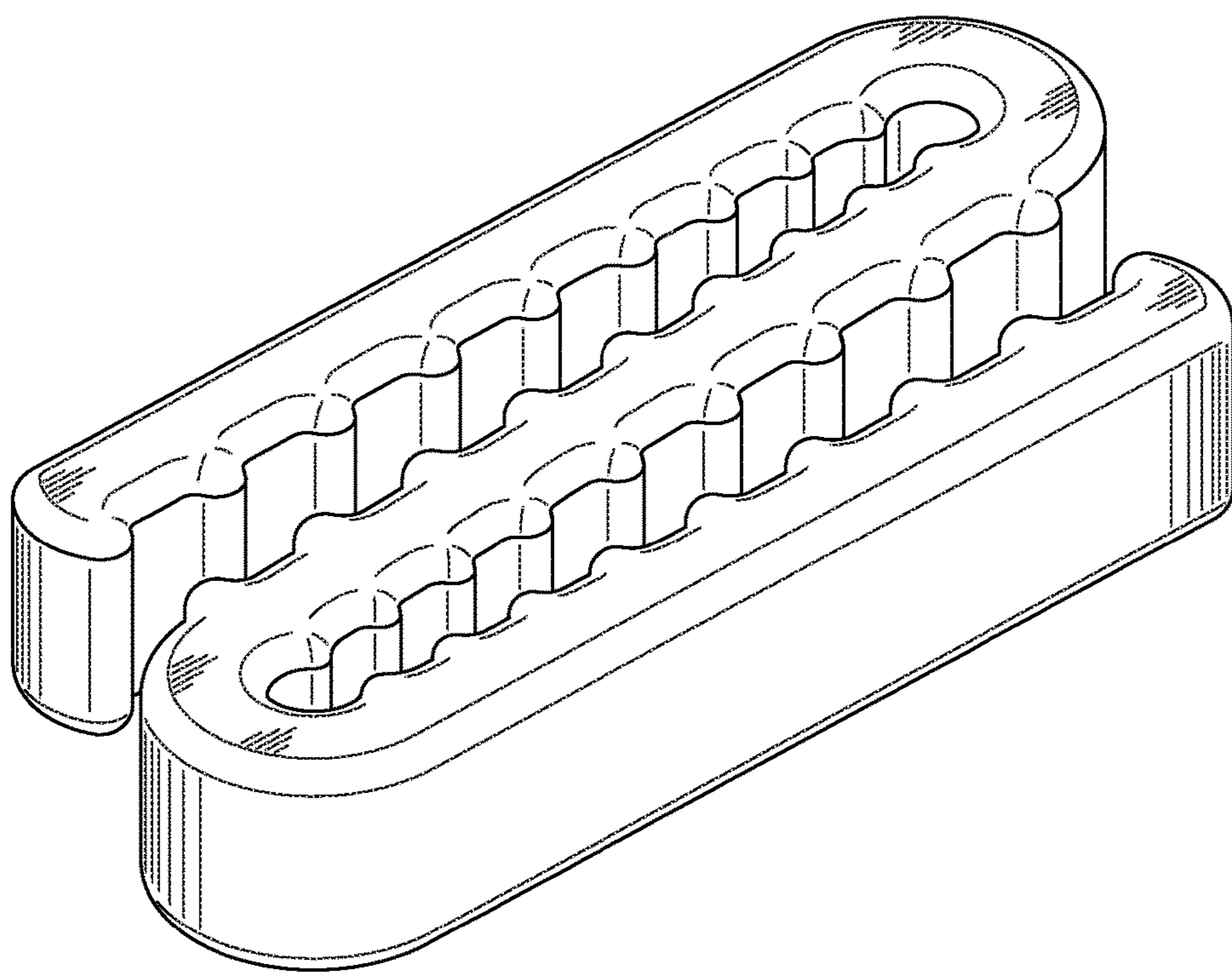


FIG. 1

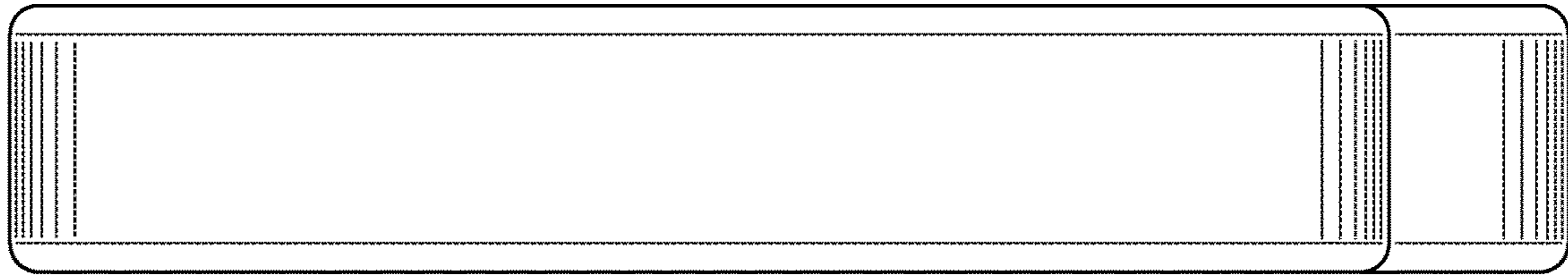


FIG. 2

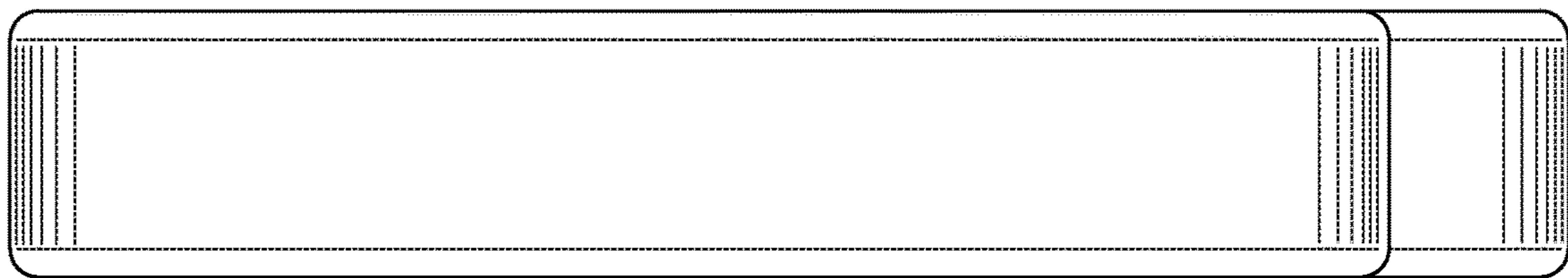


FIG. 3

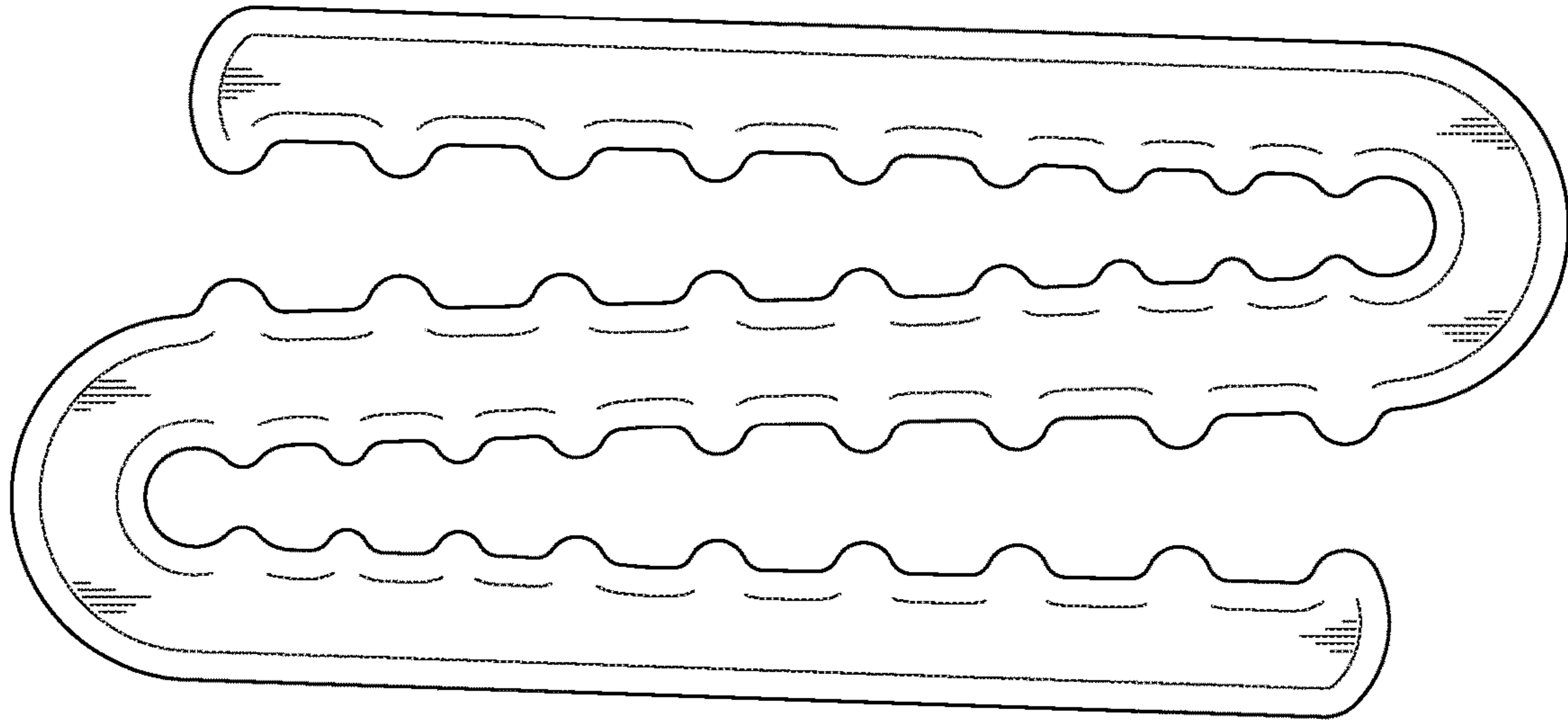


FIG. 4

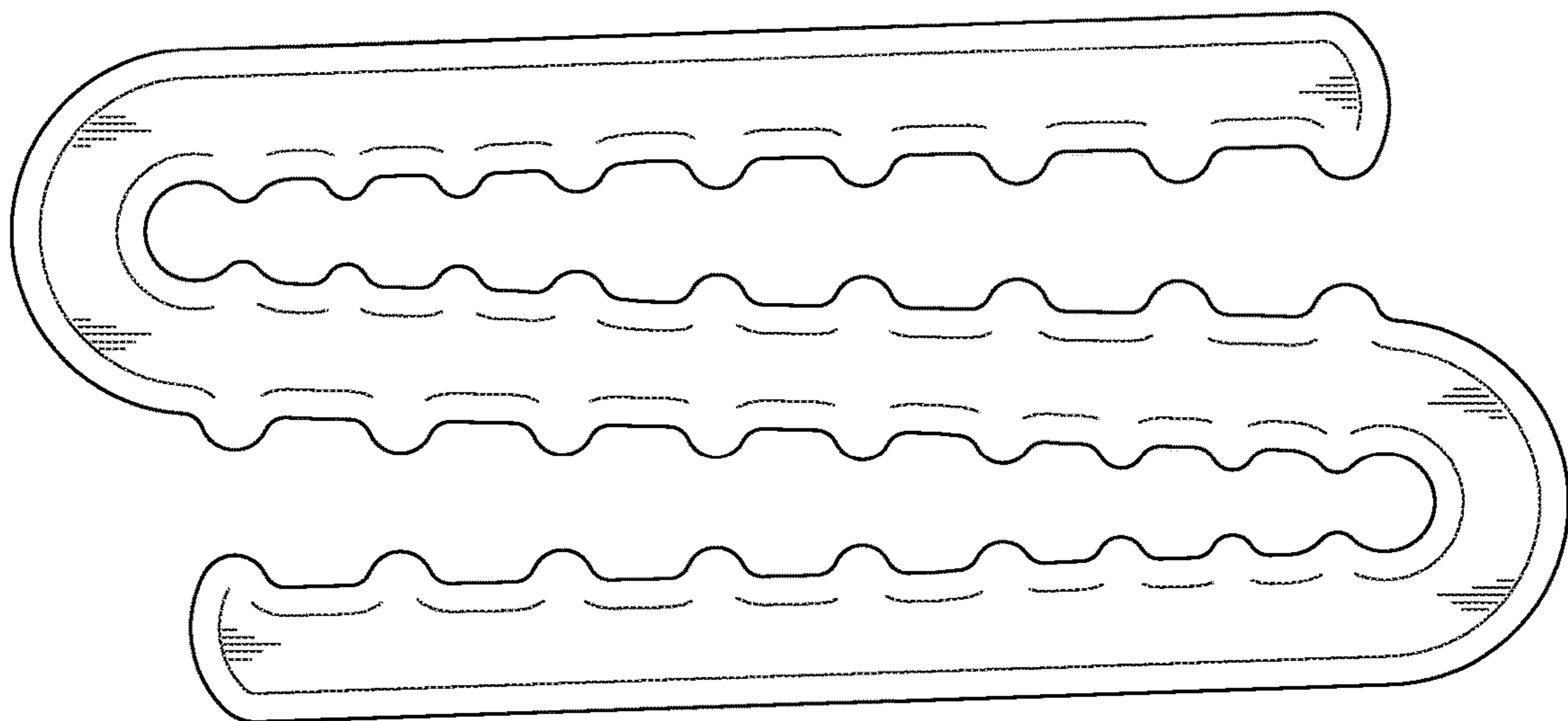


FIG. 5

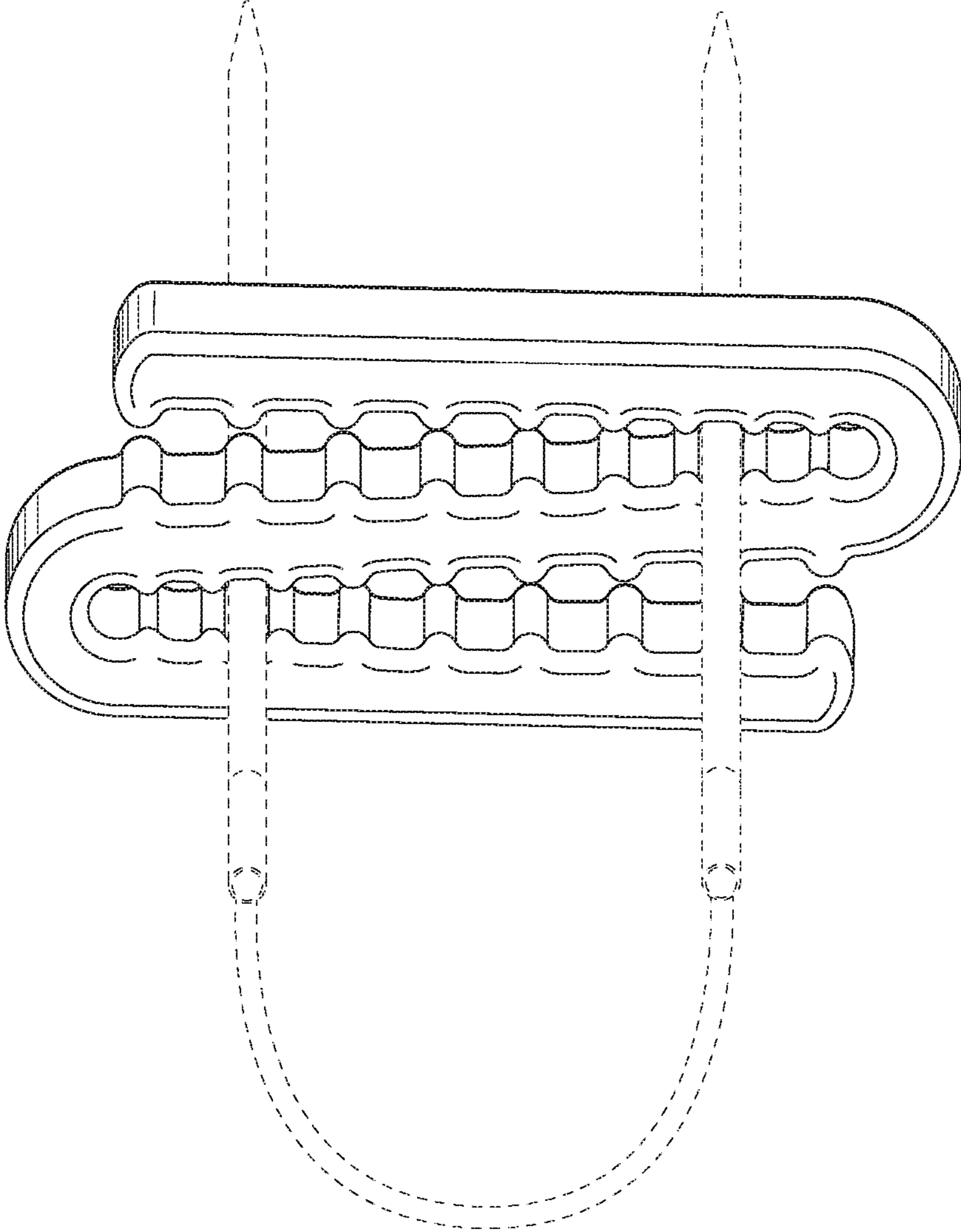


FIG. 6

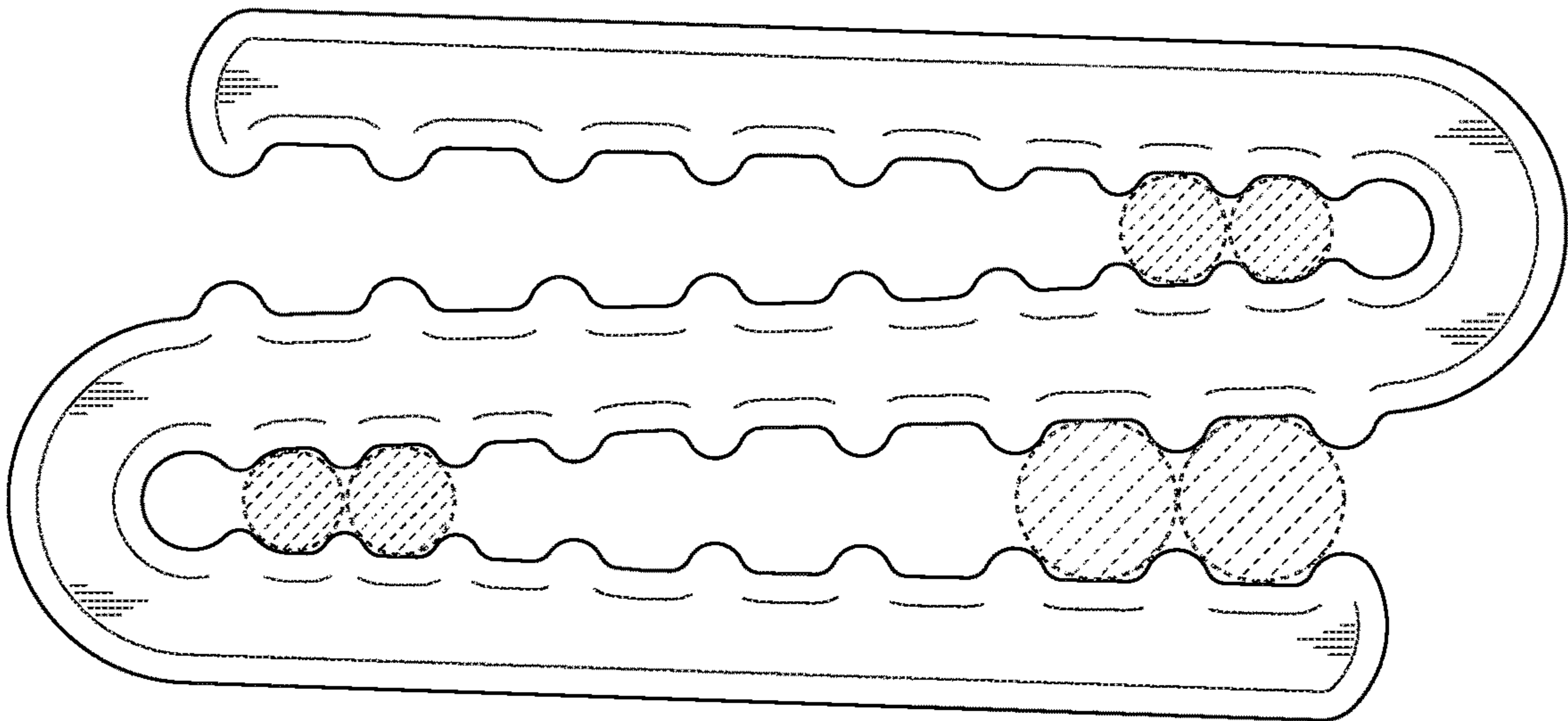


FIG. 7