



US00D838959S

(12) **United States Design Patent**  
**Ammon**

(10) **Patent No.:** **US D838,959 S**  
(45) **Date of Patent:** **\*\* Jan. 29, 2019**

- (54) **FOOTWEAR UPPER**
- (71) Applicant: **TBL Licensing LLC**, Stratham, NH  
(US)
- (72) Inventor: **Stephen Douglas Ammon**, Merrimac,  
MA (US)
- (73) Assignee: **TBL Licensing LLC**, Stratham, NH  
(US)
- (\*\*) Term: **15 Years**
- (21) Appl. No.: **29/647,507**
- (22) Filed: **May 14, 2018**

D100,536 S *	7/1936	Beniston	.....	D5/47
D185,016 S *	4/1959	McCord	.....	D5/53
D428,245 S *	7/2000	Brown	.....	D2/972
D498,583 S *	11/2004	Yun	.....	A43B 7/085
				D2/972
D499,250 S *	12/2004	Smith	.....	D2/972
D532,590 S *	11/2006	Belley	.....	D2/969
D578,294 S *	10/2008	Mervar	.....	D2/969
D595,499 S *	7/2009	Dekovic	.....	D2/972
D707,436 S *	6/2014	Seamarks	.....	D2/972
D707,947 S *	7/2014	Seamarks	.....	D2/972
D713,632 S *	9/2014	da Costa Pereira Machado	.....	
				D2/972
D768,977 S *	10/2016	Seamarks	.....	D2/972
D783,983 S *	4/2017	Yun	.....	D2/972
D790,198 S *	6/2017	Chang	.....	D2/972
D802,901 S *	11/2017	Chang	.....	D2/972
D802,905 S *	11/2017	Chang	.....	D2/972
D805,289 S *	12/2017	Mariscal	.....	D2/972
D805,754 S *	12/2017	Mariscal	.....	D2/972
D811,069 S *	2/2018	Small	.....	D2/972

**Related U.S. Application Data**

- (62) Division of application No. 29/583,937, filed on Nov. 10, 2016, now Pat. No. Des. 826,534.
- (51) **LOC (11) Cl.** ..... **02-99**
- (52) **U.S. Cl.**  
USPC ..... **D2/972**
- (58) **Field of Classification Search**  
USPC ..... D2/902, 906-908, 923, 944, 946, 969,  
D2/972-975, 978; D5/7, 15, 46, 47, 49,  
D5/53  
CPC ... A43B 13/181; A43B 13/141; A43B 13/186;  
A43B 13/188; A43B 23/00; A43B 23/02;  
A43B 5/00; A43B 23/26; A43B 1/04;  
A43B 11/14; A43B 7/00; A43B 3/12;  
A43C 3/00; A43C 5/00; A43C 7/00;  
A43C 11/004  
See application file for complete search history.

\* cited by examiner

*Primary Examiner* — Dominic V Simone  
(74) *Attorney, Agent, or Firm* — Lerner, David,  
Littenberg, Krumholz & Mentlik, LLP

(57) **CLAIM**

The ornamental design for a footwear upper, as shown and described.

**DESCRIPTION**

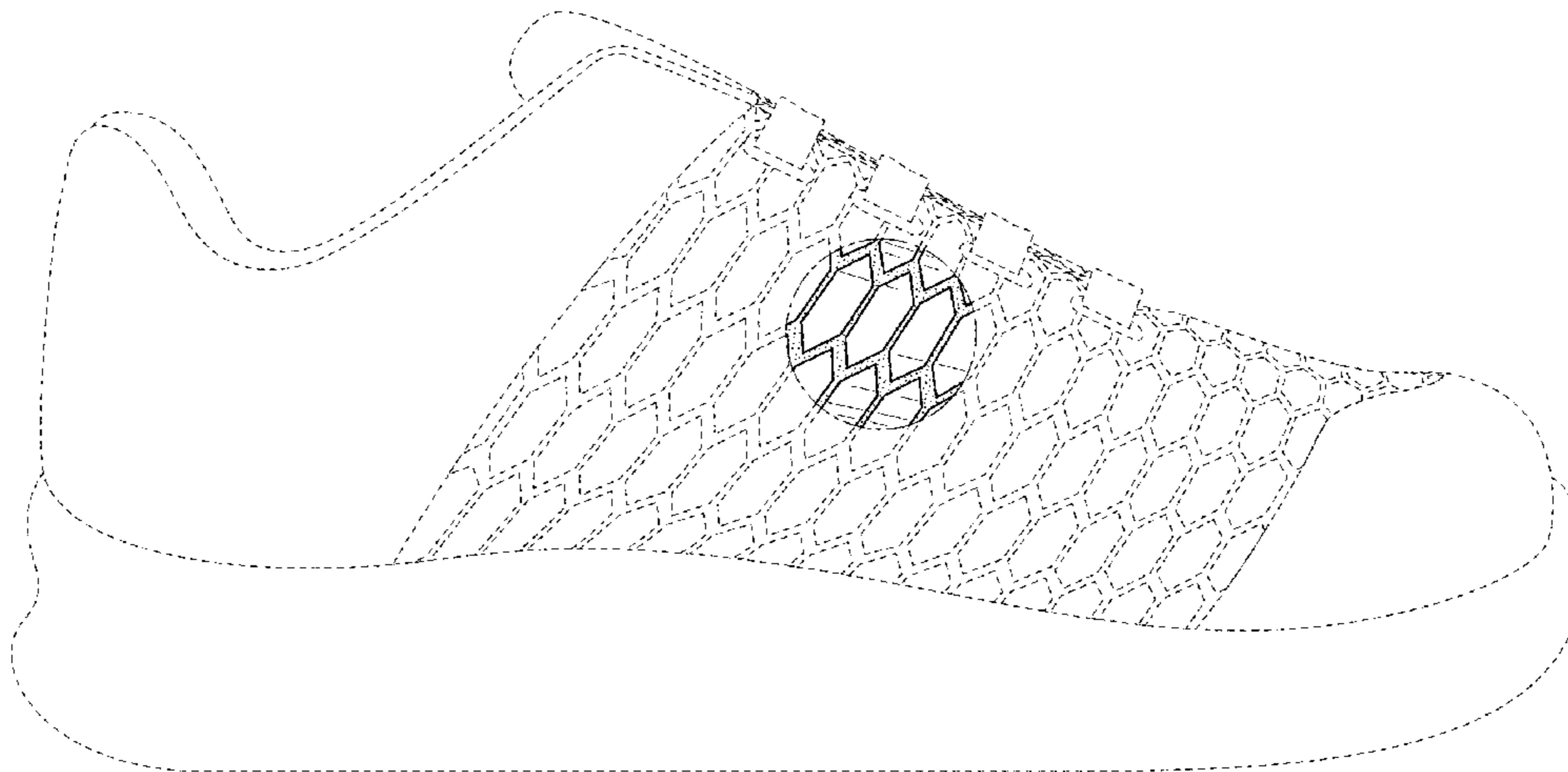
FIG. 1 is a perspective view of a footwear upper in accordance with a third embodiment of our design; FIG. 2 is a right side view of the footwear upper in accordance with the third embodiment; and, FIG. 3 is a top elevational view of the footwear upper in accordance with the third embodiment. Broken lines are environmental only and form no part of the claimed design. Broken lines adjacent shaded areas of the design represent the bounds of the claimed design and are not themselves a part of the claimed design.

**1 Claim, 3 Drawing Sheets**

(56) **References Cited**

**U.S. PATENT DOCUMENTS**

D11,563 S *	12/1879	Maertens	.....	D5/47
D11,670 S *	3/1880	Conde	.....	D5/47
D14,002 S *	6/1883	Conde	.....	D5/47



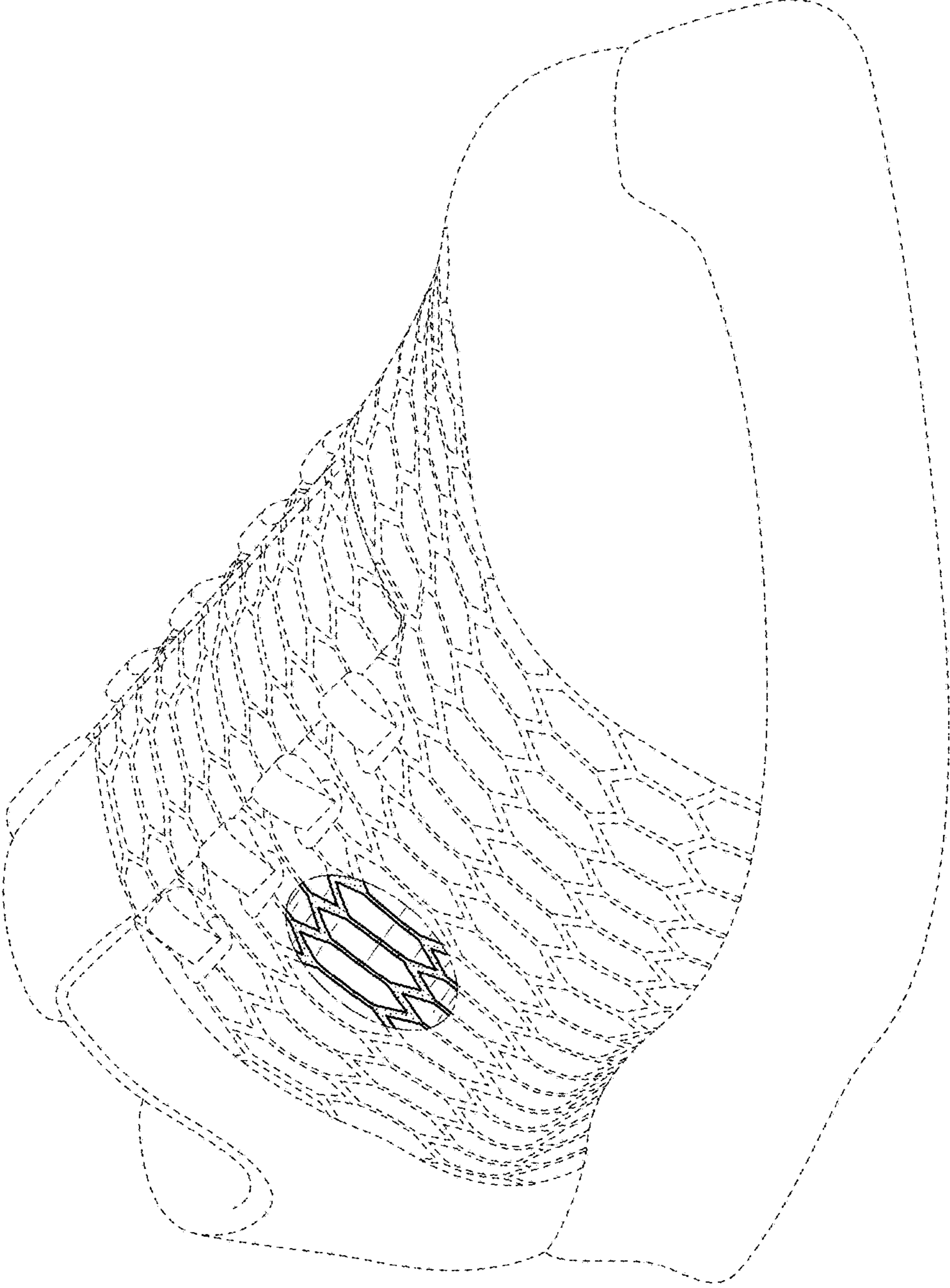


FIG. 1

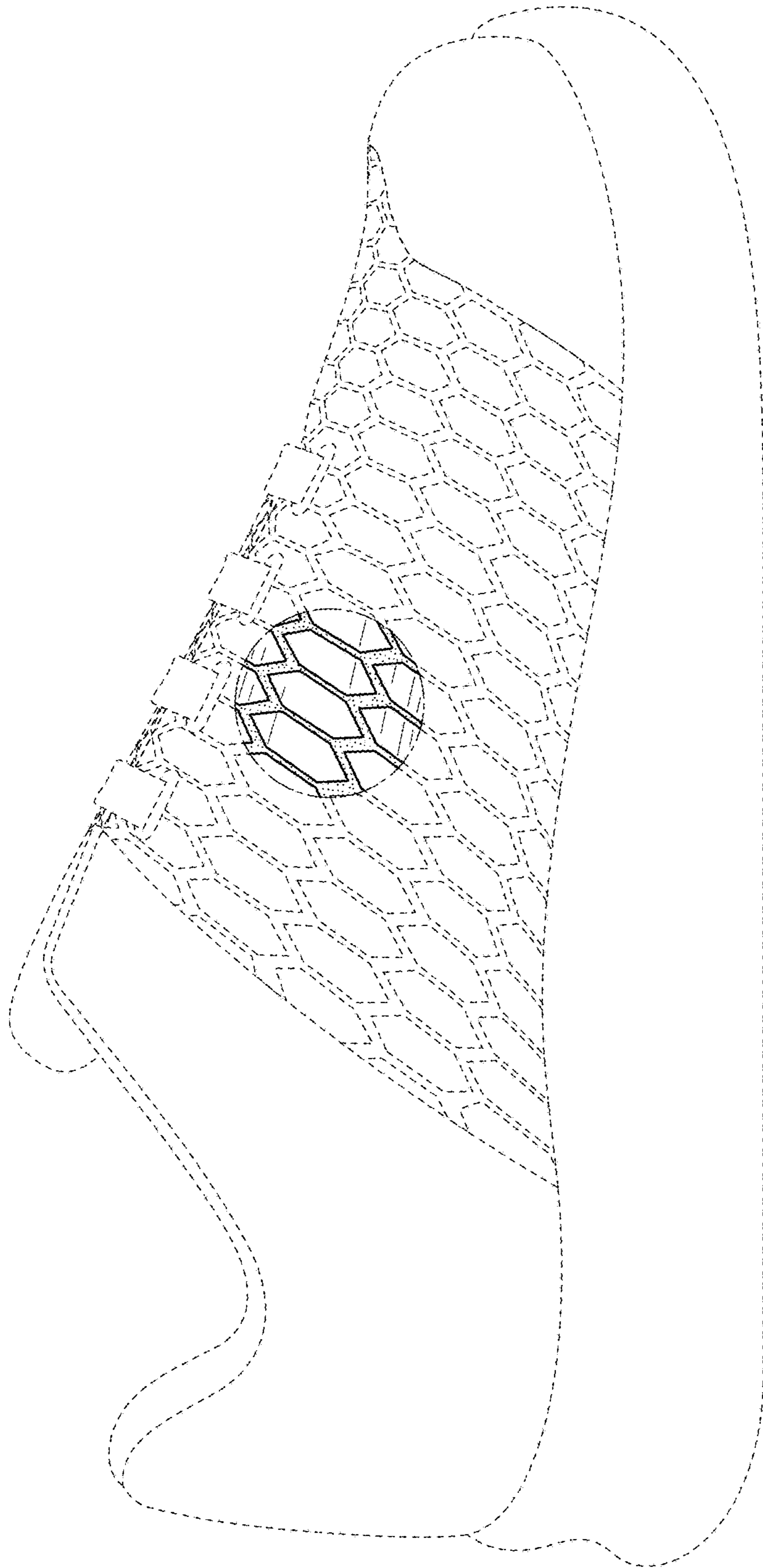


FIG. 2

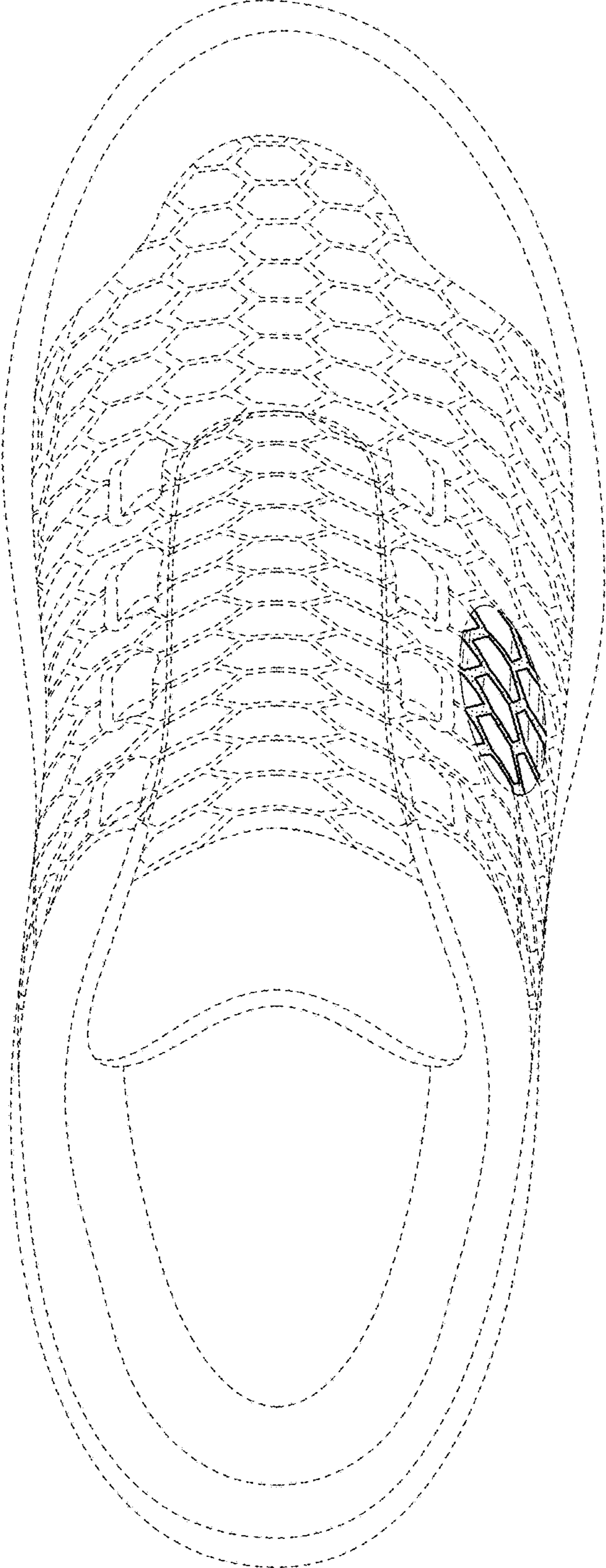


FIG. 3