



US00D838947S

(12) **United States Design Patent**  
**Dowson**

(10) **Patent No.:** **US D838,947 S**  
(45) **Date of Patent:** **\*\* Jan. 29, 2019**

(54) **SANDAL**  
(71) Applicant: **PUMA SE**, Herzogenaurach (DE)  
(72) Inventor: **Alexander John Dowson**, Nuremberg (DE)  
(73) Assignee: **PUMA SE**, Herzogenaurach (DE)  
(\*\*) Term: **15 Years**  
(21) Appl. No.: **29/615,756**

D548,431 S \* 8/2007 Jersey ..... D2/919  
D562,535 S \* 2/2008 Giorgio ..... D2/916  
D576,390 S \* 9/2008 del Biondi ..... D2/916  
D603,152 S 11/2009 Kovacs  
D614,836 S 5/2010 Kay et al.  
D615,737 S 5/2010 Feller  
D639,035 S 6/2011 Delavaldene et al.  
D639,036 S 6/2011 Delavaldene et al.  
D639,536 S 6/2011 Delavaldene et al.  
D642,771 S 8/2011 Tonkel et al.  
D680,717 S 4/2013 Rinaldi  
D680,718 S 4/2013 Rinaldi  
9,210,965 B2 \* 12/2015 O'Connor ..... A43B 3/108

(Continued)

(22) Filed: **Aug. 31, 2017**

(30) **Foreign Application Priority Data**

Jul. 28, 2017 (EM) ..... 004123974

(51) **LOC (11) Cl.** ..... **02-04**

(52) **U.S. Cl.**  
USPC ..... **D2/916**

(58) **Field of Classification Search**  
USPC ..... D2/896-900, 916-919, 946, 969, 972  
CPC .. A43B 3/12; A43B 3/10; A43B 3/128; A43B 3/00; A43B 3/101; A43B 3/106; A43B 3/107; A43B 3/28-3/30  
See application file for complete search history.

(56) **References Cited**

**U.S. PATENT DOCUMENTS**

D134,417 S 11/1942 Pfeiffer  
D275,145 S 8/1984 Glatz  
D292,441 S \* 10/1987 Gamm ..... D2/905  
D332,687 S 1/1993 Altman et al.  
D403,493 S \* 1/1999 McKinley ..... D2/900  
D446,002 S 8/2001 Leong et al.  
D471,346 S 3/2003 Bray, Jr. et al.  
D485,972 S 2/2004 Magro  
D495,474 S 9/2004 Dal Magro et al.  
D499,235 S 12/2004 Dal Magro et al.  
D535,090 S 1/2007 Belley et al.  
D543,345 S 5/2007 Andersen et al.

**OTHER PUBLICATIONS**

“The Scream Sandals in Nude Are Online Now,” Shop Ash Footwear Sandals, accessed on Jul. 12, 2018, 5 pages, URL: <https://www.ashfootwear.co.uk/women-c1/ash-scream-studded-chunky-soled-sandals-nude-p2289>.

(Continued)

*Primary Examiner* — Rashida C. Walshon  
(74) *Attorney, Agent, or Firm* — Quarles & Brady LLP

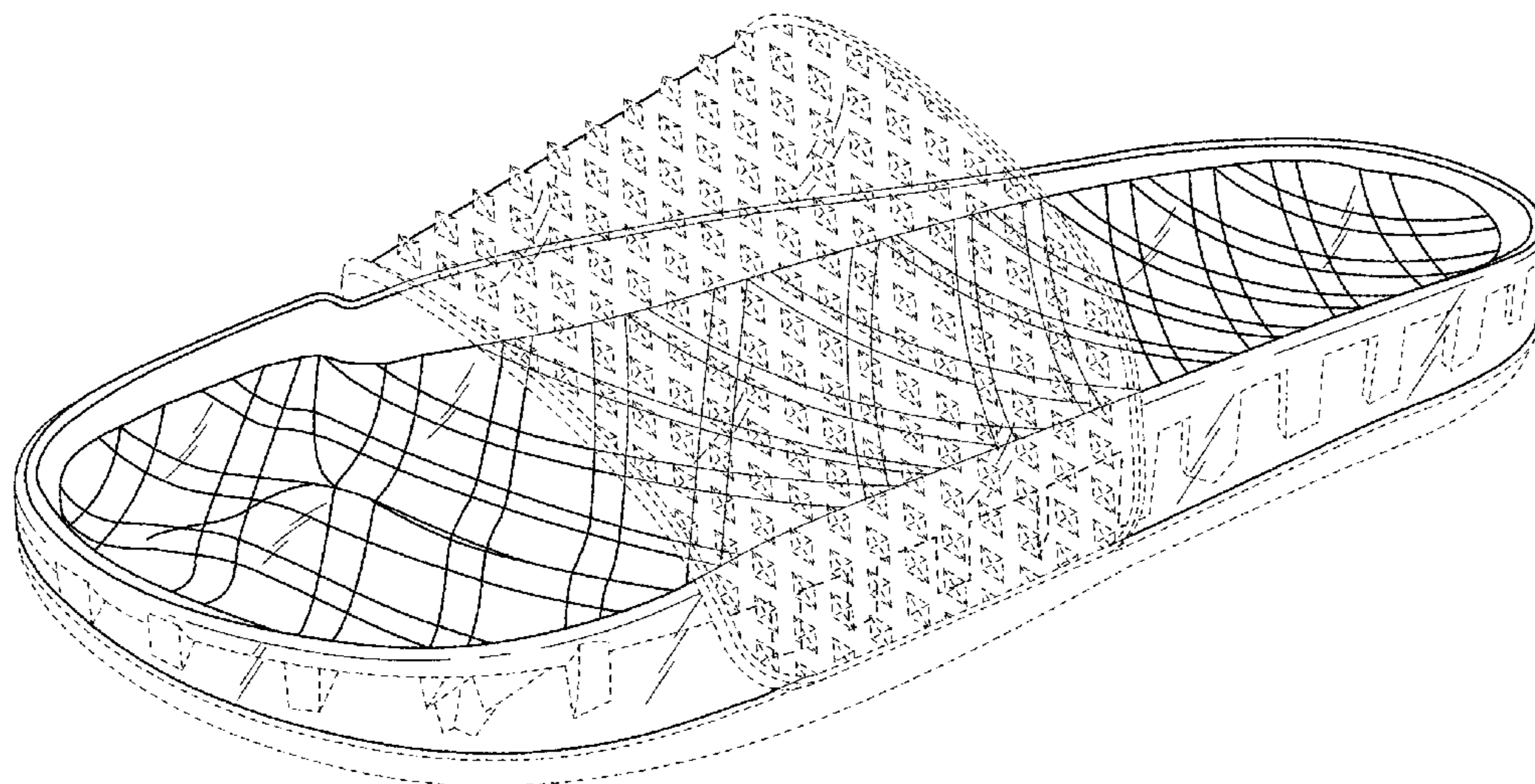
(57) **CLAIM**

The ornamental design for a sandal, as shown and described.

**DESCRIPTION**

FIG. 1 is a top, right, front perspective view of the sandal showing my new design;  
FIG. 2 is a front elevational view thereof;  
FIG. 3 is a rear elevational view thereof;  
FIG. 4 is a left side elevational view thereof;  
FIG. 5 is a right side elevational view thereof;  
FIG. 6 is a top plan view thereof; and,  
FIG. 7 is a bottom plan view thereof.  
The dashed lines illustrate portions of the sandal that form no part of the claimed design.

**1 Claim, 7 Drawing Sheets**



(56)

**References Cited**

U.S. PATENT DOCUMENTS

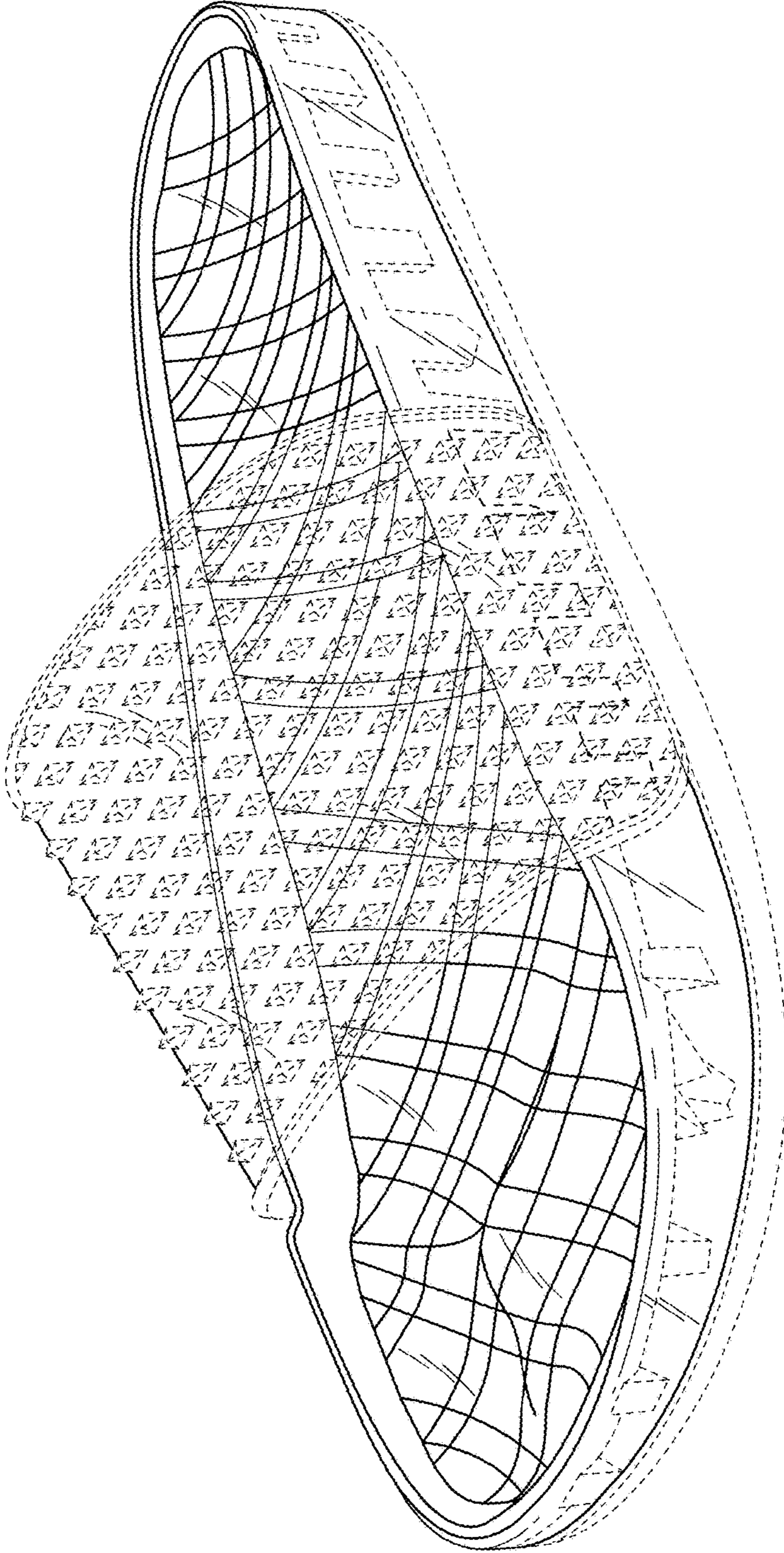
D766,554 S	9/2016	Doak	
D783,955 S	4/2017	Fullerton et al.	
D787,166 S	5/2017	Doak	
D793,039 S	8/2017	Reaux	
D817,607 S	5/2018	Morrison	
D819,306 S	6/2018	Pina	
2010/0088928 A1*	4/2010	Sarantakos .....	A43B 5/08 36/103

OTHER PUBLICATIONS

“Adidas Originals Men’s Adilette Sport Slide,” Amazon.co.uk: Shoes & Bags, Jul. 1, 2004, accessed on Jul. 12, 2018, 3 pages, URL: <<https://www.amazon.co.uk/adidas-Originals-Adilette-Sport-Slide/dp/B077TYQKX5>>.

\* cited by examiner

Fig. 1



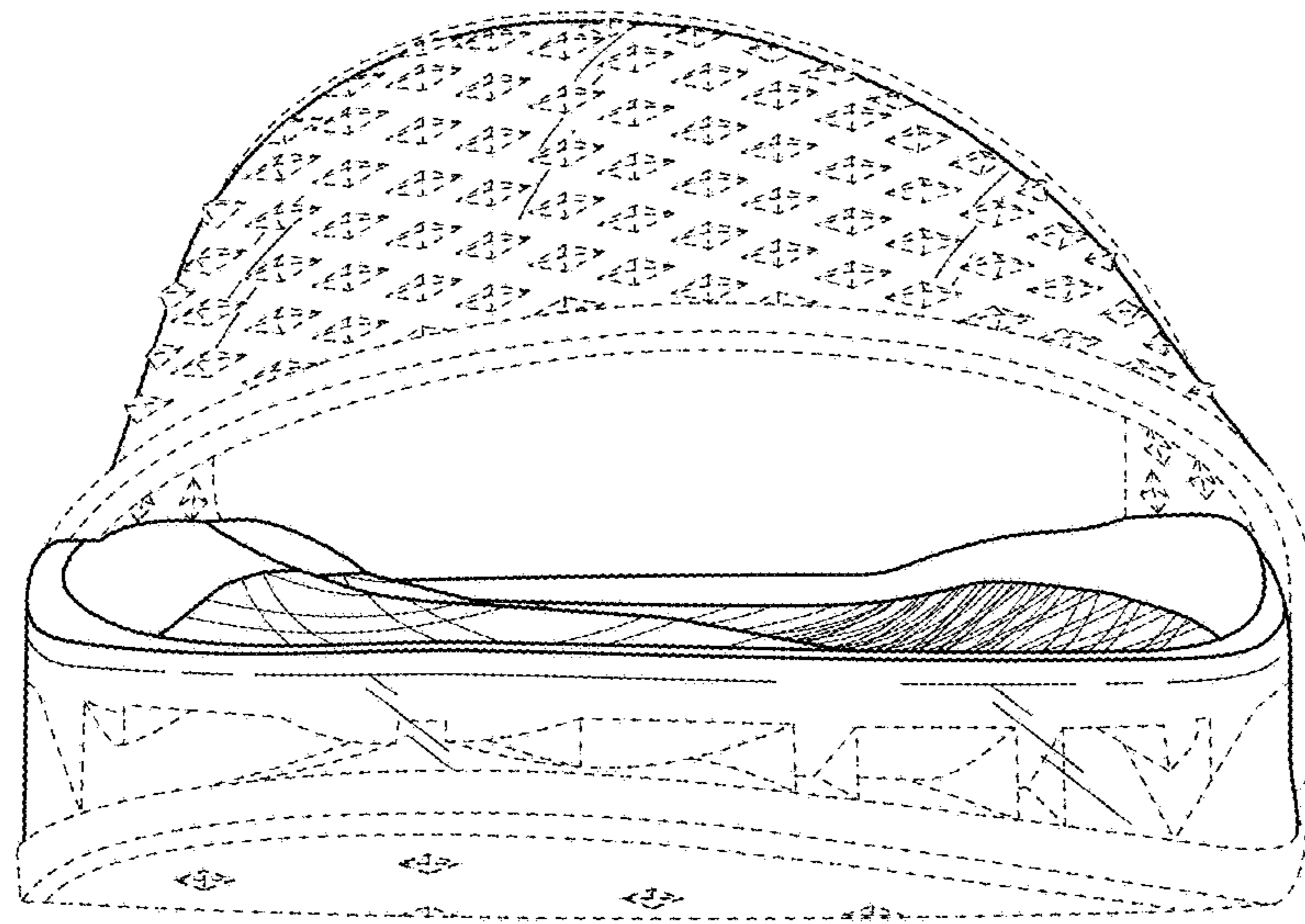


Fig. 2

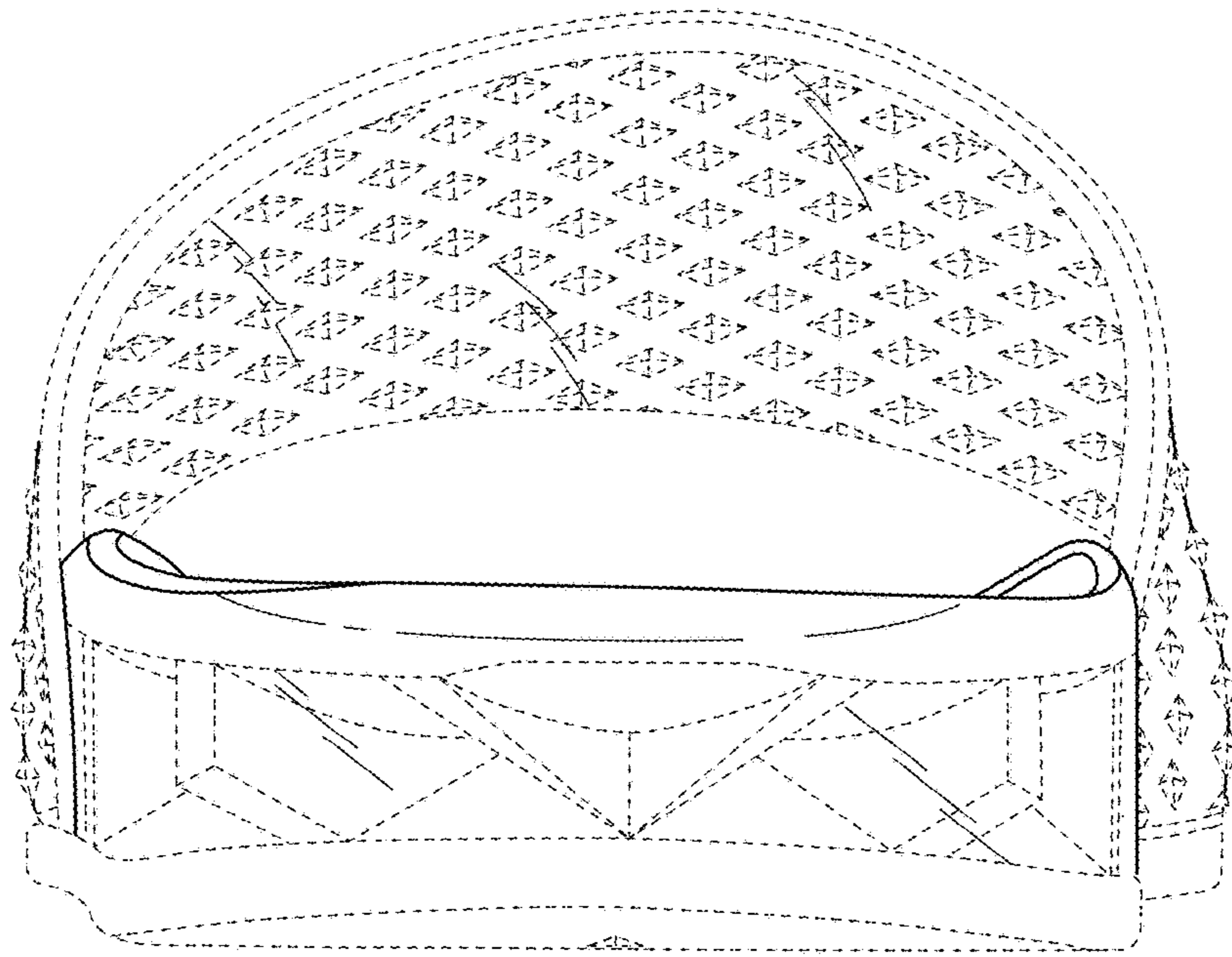


Fig. 3

Fig. 4

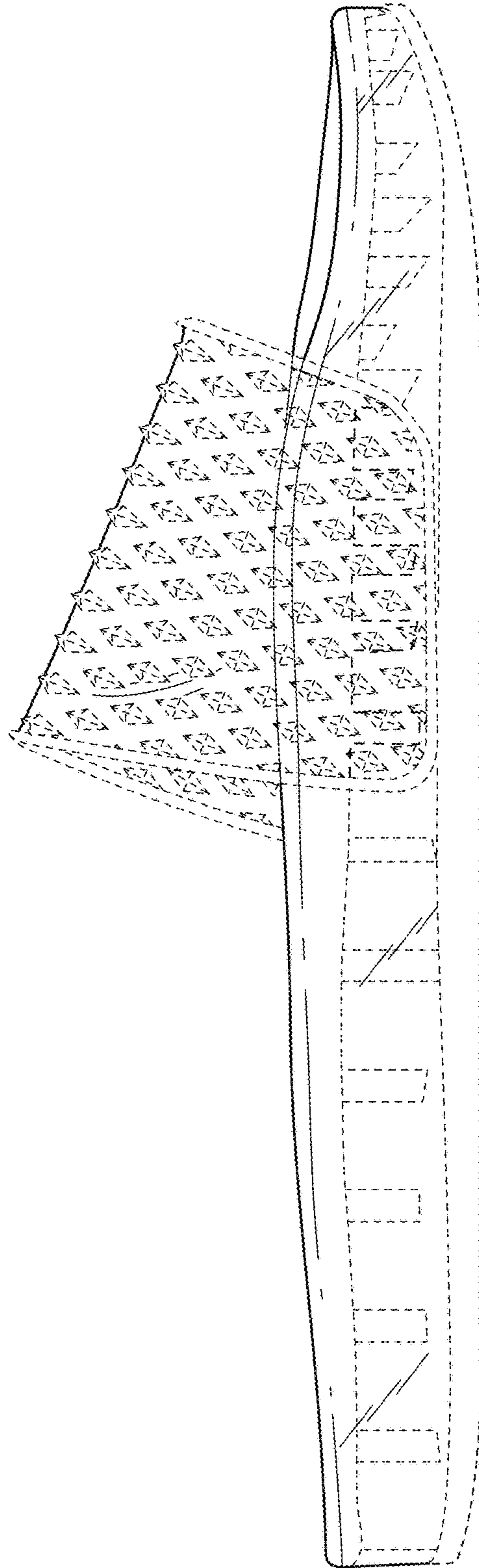
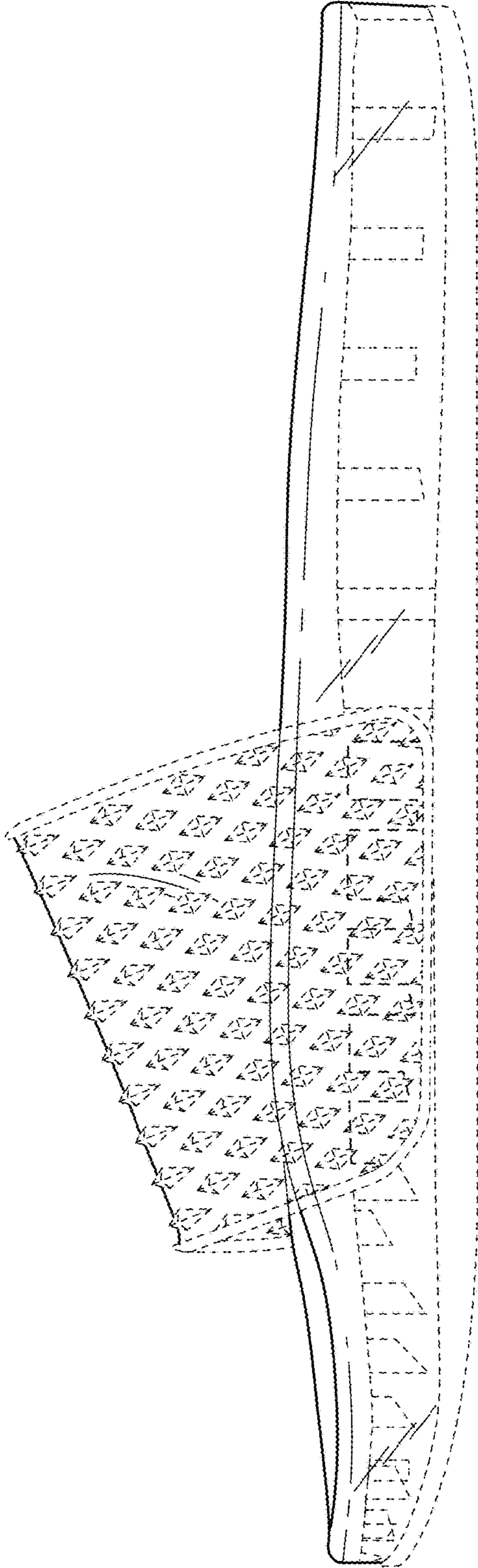


Fig. 5



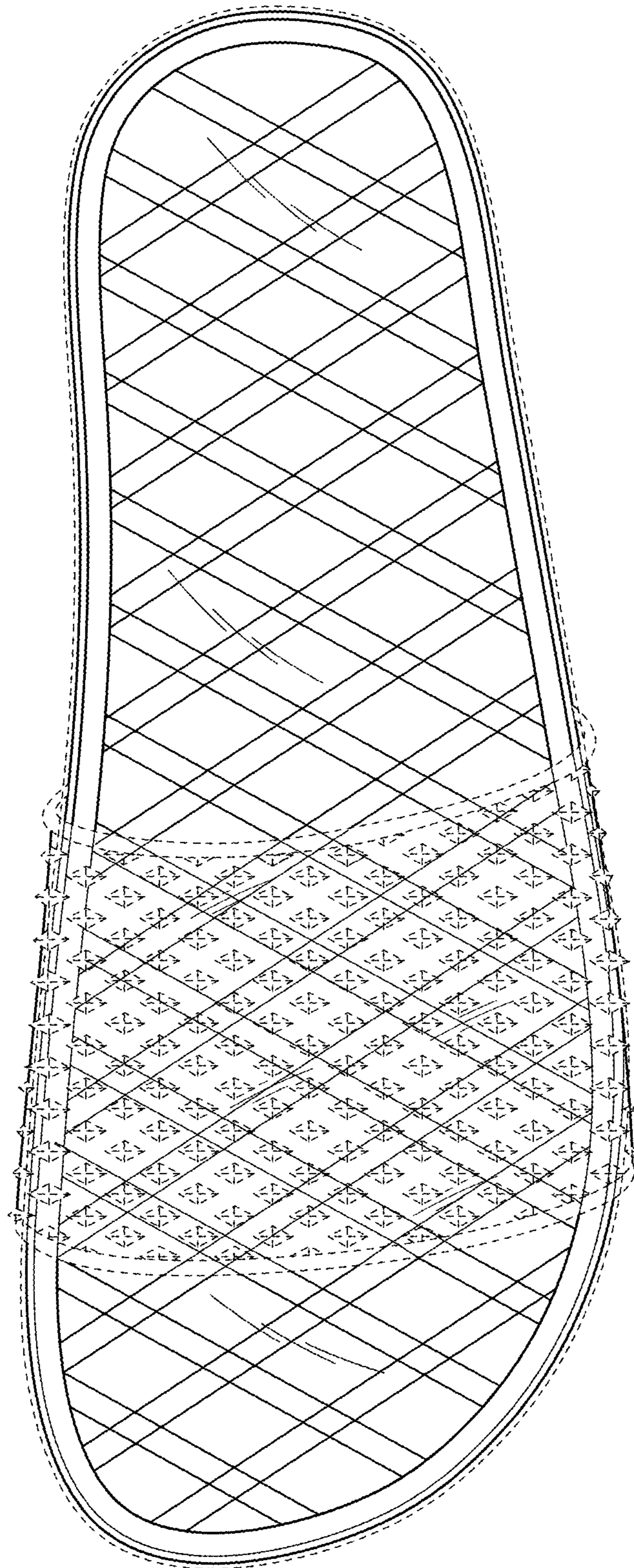


Fig. 6



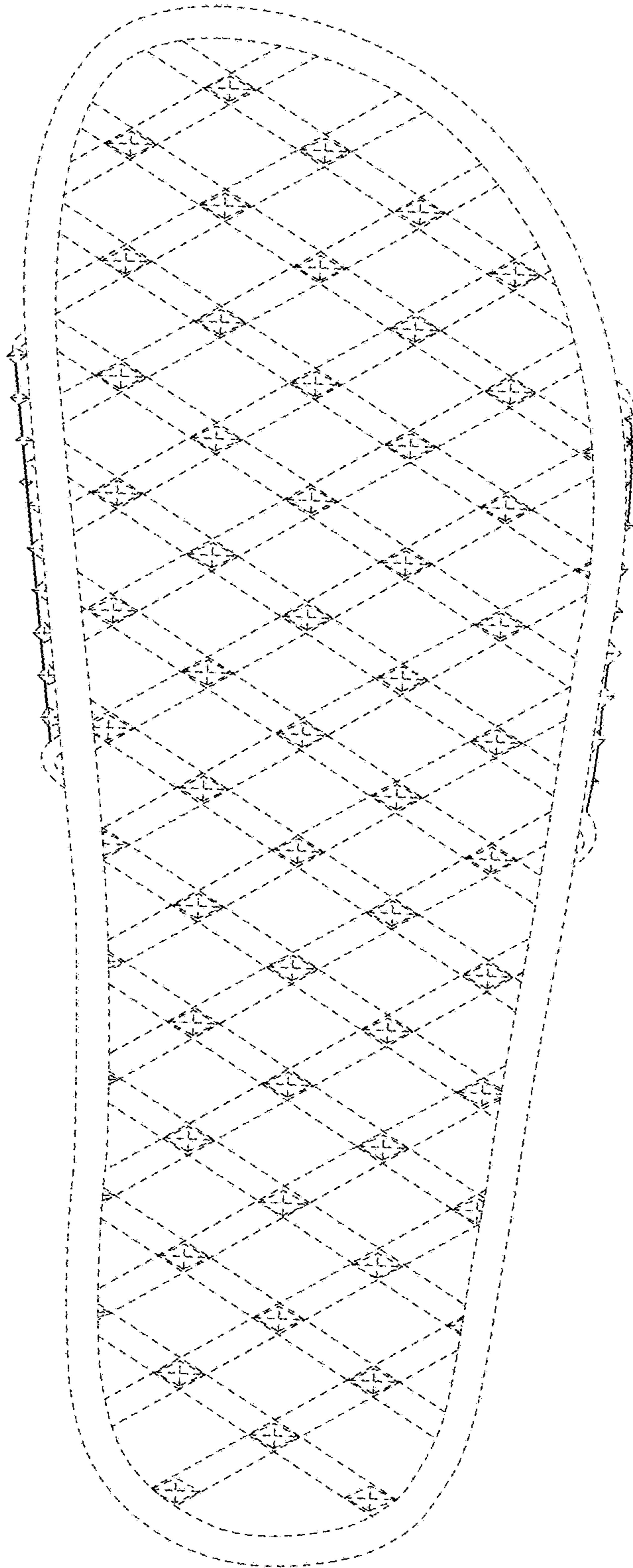


Fig. 7