



US00D838940S

(12) **United States Design Patent**  
**Oquendo**

(10) **Patent No.:** **US D838,940 S**

(45) **Date of Patent:** **\*\* Jan. 29, 2019**

(54) **HAT**  
(71) Applicant: **Dalila Oquendo**, Brooklyn, NY (US)  
(72) Inventor: **Dalila Oquendo**, Brooklyn, NY (US)  
(\*\*) Term: **15 Years**

(21) Appl. No.: **29/591,488**

(22) Filed: **Jan. 20, 2017**

(51) **LOC (11) Cl.** ..... **02-03**

(52) **U.S. Cl.**  
USPC ..... **D2/883**

(58) **Field of Classification Search**  
USPC ..... D2/865, 866, 867, 868, 869, 870, 872,  
D2/878, 879, 880, 881, 882, 883, 889,  
D2/891, 895  
CPC ..... A42B 1/00; A42B 1/002; A42B 1/004;  
A42B 1/02; A42B 1/04; A42B 1/041;  
A42B 1/06; A42B 1/062  
See application file for complete search history.

(56) **References Cited**

**U.S. PATENT DOCUMENTS**

911,126 A \* 2/1909 Harrison et al. .... A42C 5/04  
2/171.6  
1,040,727 A \* 10/1912 Minkoff et al. .... A42B 1/22  
2/195.3  
1,516,284 A \* 11/1924 Schneider ..... A42B 1/22  
2/195.2  
1,577,945 A \* 3/1926 Blumenthal ..... A42B 1/12  
132/333  
2,149,655 A \* 3/1939 Yamaguchi ..... A42B 1/06  
2/195.1  
D135,323 S \* 3/1943 Limberatore ..... 2/195.1  
D137,429 S \* 3/1944 Scott ..... D2/884  
2,345,407 A \* 3/1944 Marder ..... A42B 1/06  
2/195.3  
3,009,162 A \* 11/1961 Hori ..... A42B 1/004  
2/195.1

D277,426 S \* 2/1985 Eisinger ..... D2/879  
D298,481 S \* 11/1988 Collins ..... D2/879  
5,265,278 A \* 11/1993 Watanabe ..... A42B 1/04  
2/174  
D396,136 S \* 7/1998 Stein ..... D2/865  
D401,392 S \* 11/1998 DiGiglia ..... D2/865  
D404,541 S \* 1/1999 Danza ..... D2/866  
D404,892 S \* 2/1999 O'Brien ..... D2/865

(Continued)

**OTHER PUBLICATIONS**

US Trademark Application #86713185 (now Registered Trademark #5351019) for "Style Guard," filed Aug. 3, 2015 by Dalila Oquendo. First Use in Commerce Date: Aug. 27, 2017. Retrieved on Feb. 6, 2018. (4 pgs.).\*

(Continued)

*Primary Examiner* — Karen S Acker  
*Assistant Examiner* — Jasmine Mlinarcik  
(74) *Attorney, Agent, or Firm* — Dunlap Bennett & Ludwig PLLC

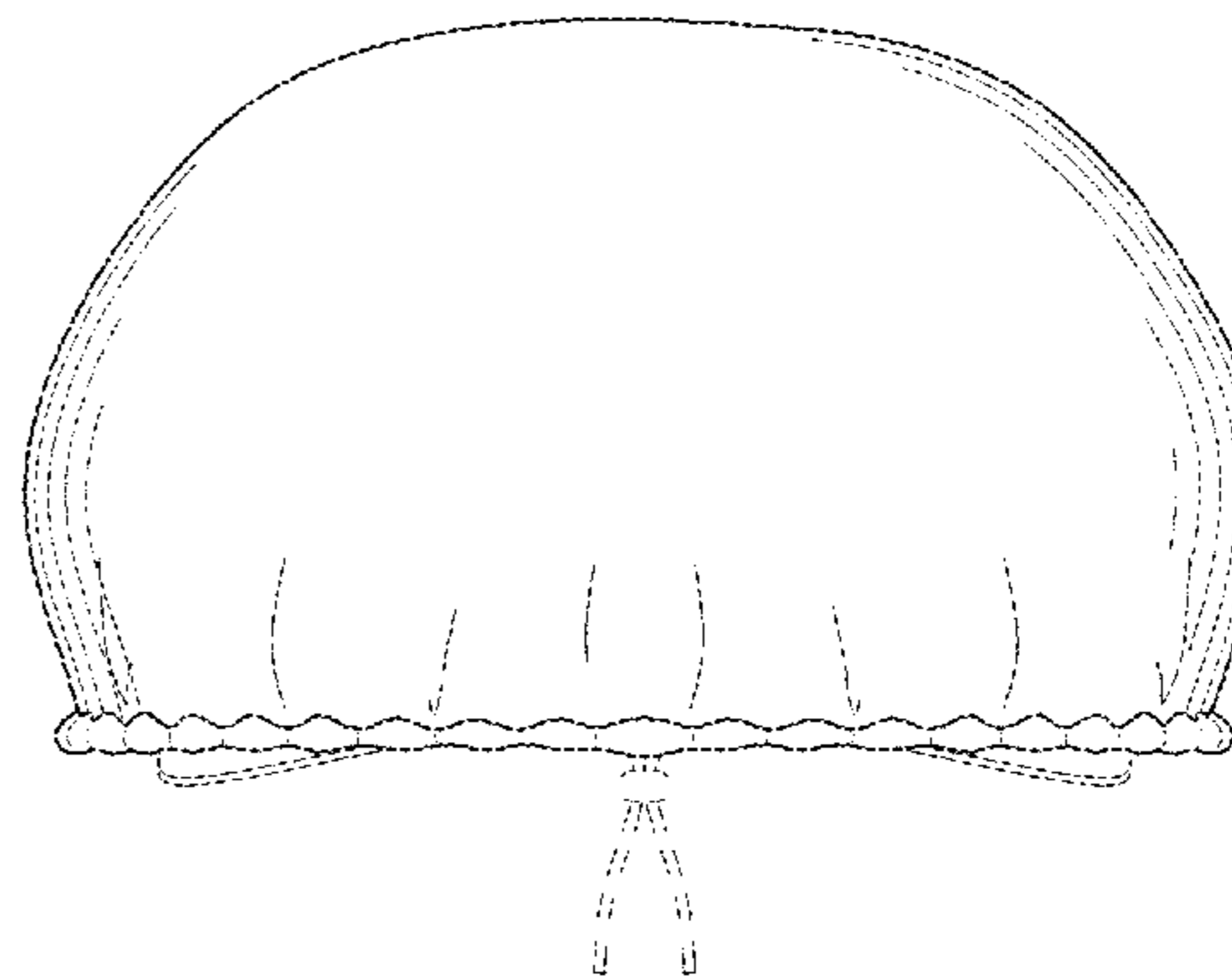
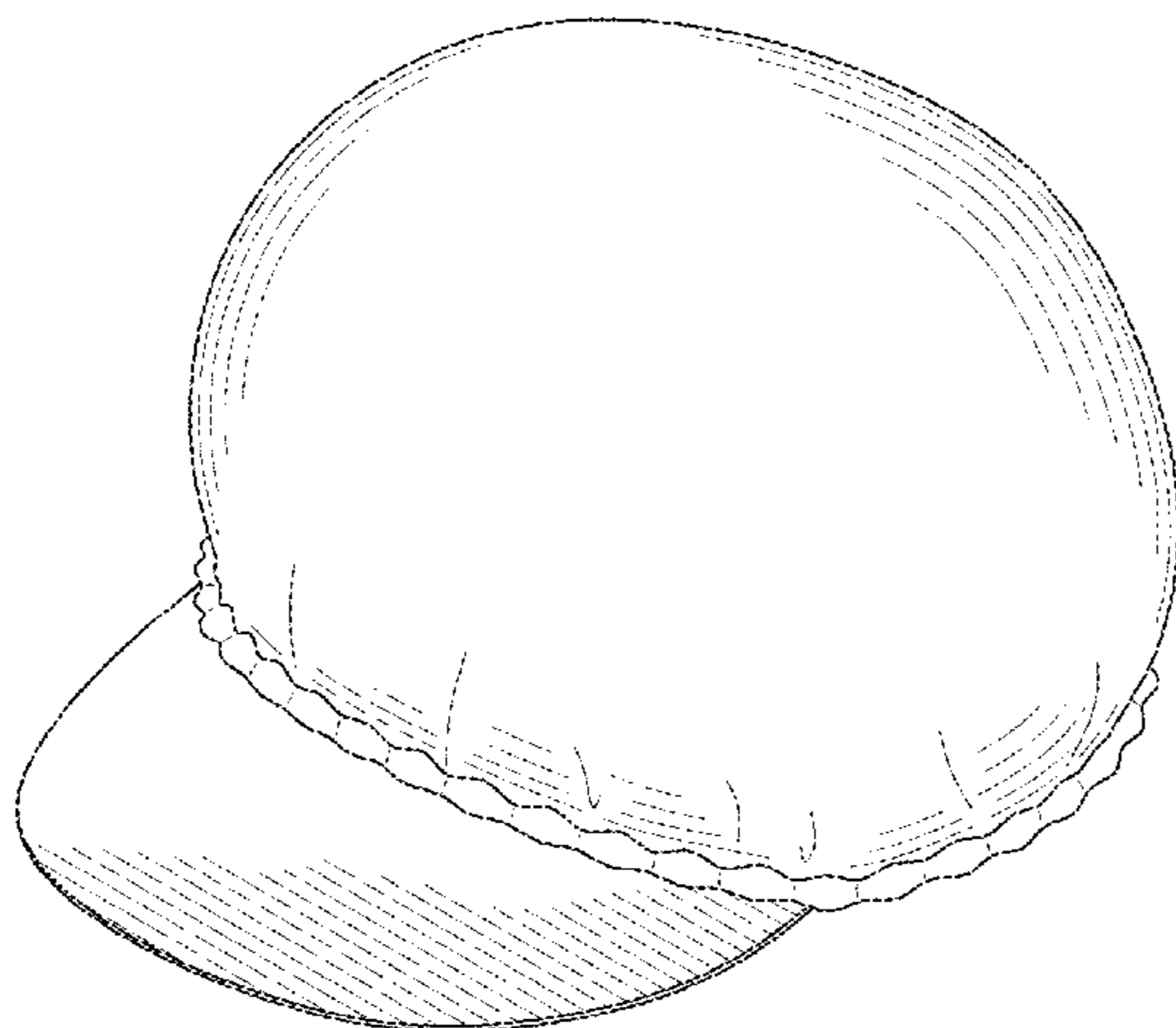
(57) **CLAIM**

The ornamental design for a hat, as shown and described.

**DESCRIPTION**

FIG. 1 is a top front perspective view of a hat;  
FIG. 2 is a right side elevation view thereof, the left side elevation view being a mirror image thereof;  
FIG. 3 is a front elevation view thereof;  
FIG. 4 is a rear elevation view thereof;  
FIG. 5 is a top plan view thereof; and,  
FIG. 6 is a bottom plan view thereof.  
The broken lines shown along and just inward of the opening of the hat in FIG. 6 defines the bounds of the claimed design and forms no part of the claim. The remaining broken lines shown in the drawings depict portions of the hat that form no part of the claimed design.

**1 Claim, 3 Drawing Sheets**



(56)

**References Cited**

U.S. PATENT DOCUMENTS

5,898,935 A \* 5/1999 Davis ..... A42B 1/247  
2/10  
D500,187 S \* 12/2004 Richardson ..... D2/884  
D527,455 S \* 8/2006 Witt ..... D24/128  
D636,561 S \* 4/2011 Lathem ..... D2/879  
D666,777 S \* 9/2012 Dhillon ..... D29/122  
D690,470 S \* 9/2013 Manson ..... D29/102  
D756,606 S \* 5/2016 Benjamin-Cintron ..... D2/867  
D759,352 S \* 6/2016 Palmer ..... D2/882

OTHER PUBLICATIONS

Photo published by Styleguardlady, [on-line]; [posted to the Internet approximately on Sep. 6, 2017]; [retrieved by the Internet on Feb. 6, 2018]; URL: <http://www.thepictaram.club/instagram/styleguardme>, (1 pg).\*

\* cited by examiner

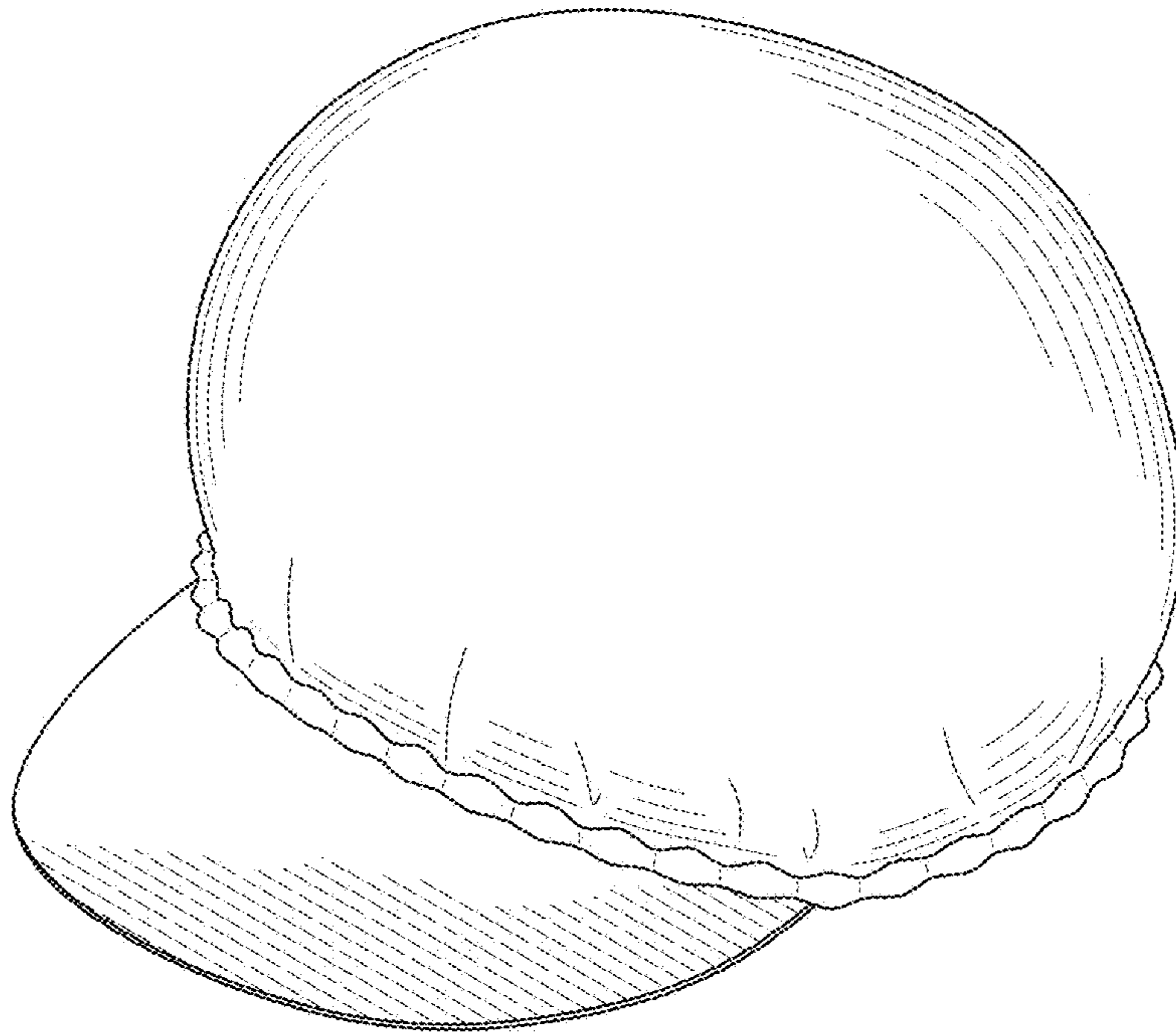


FIG. 1

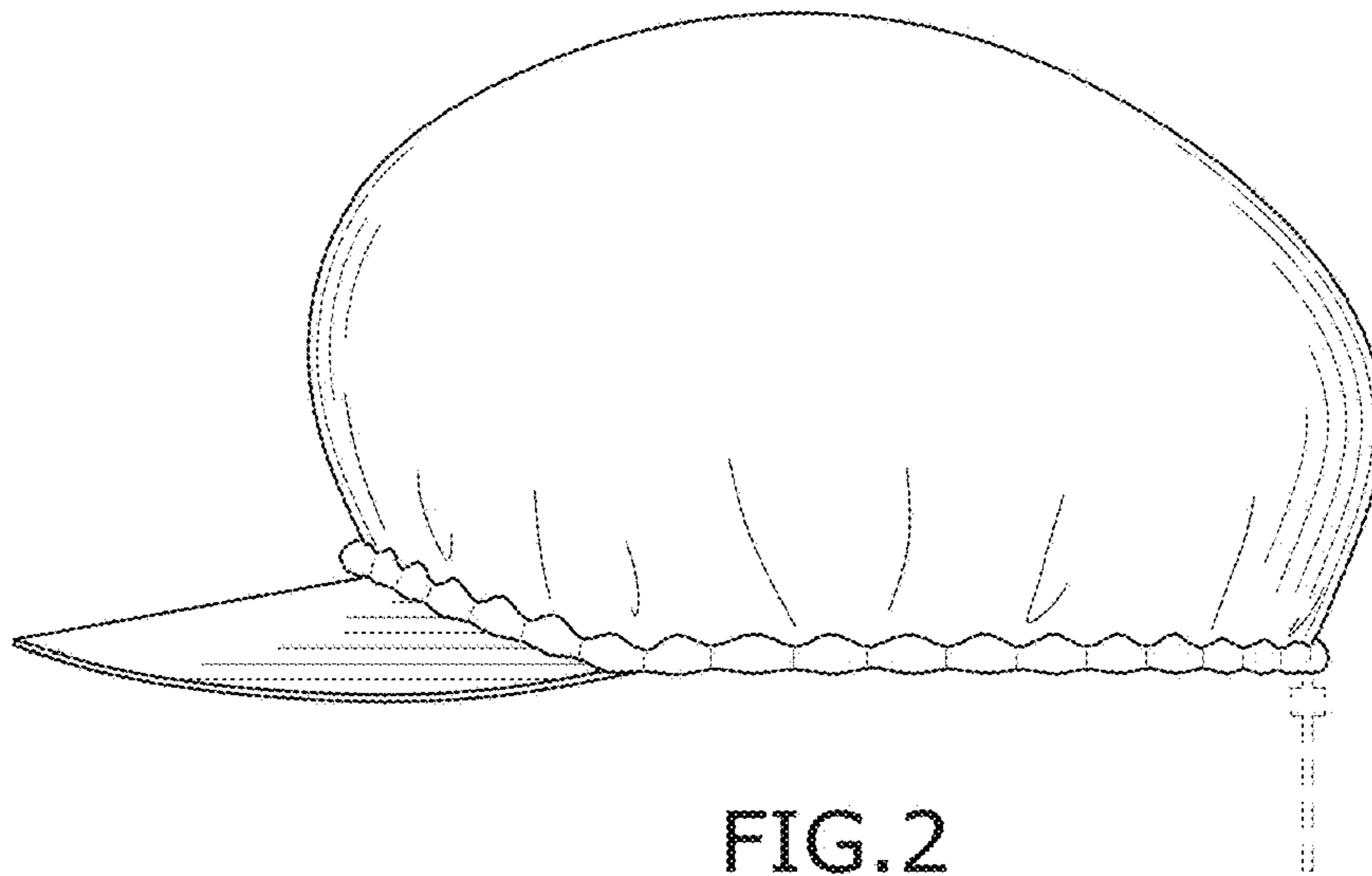


FIG. 2

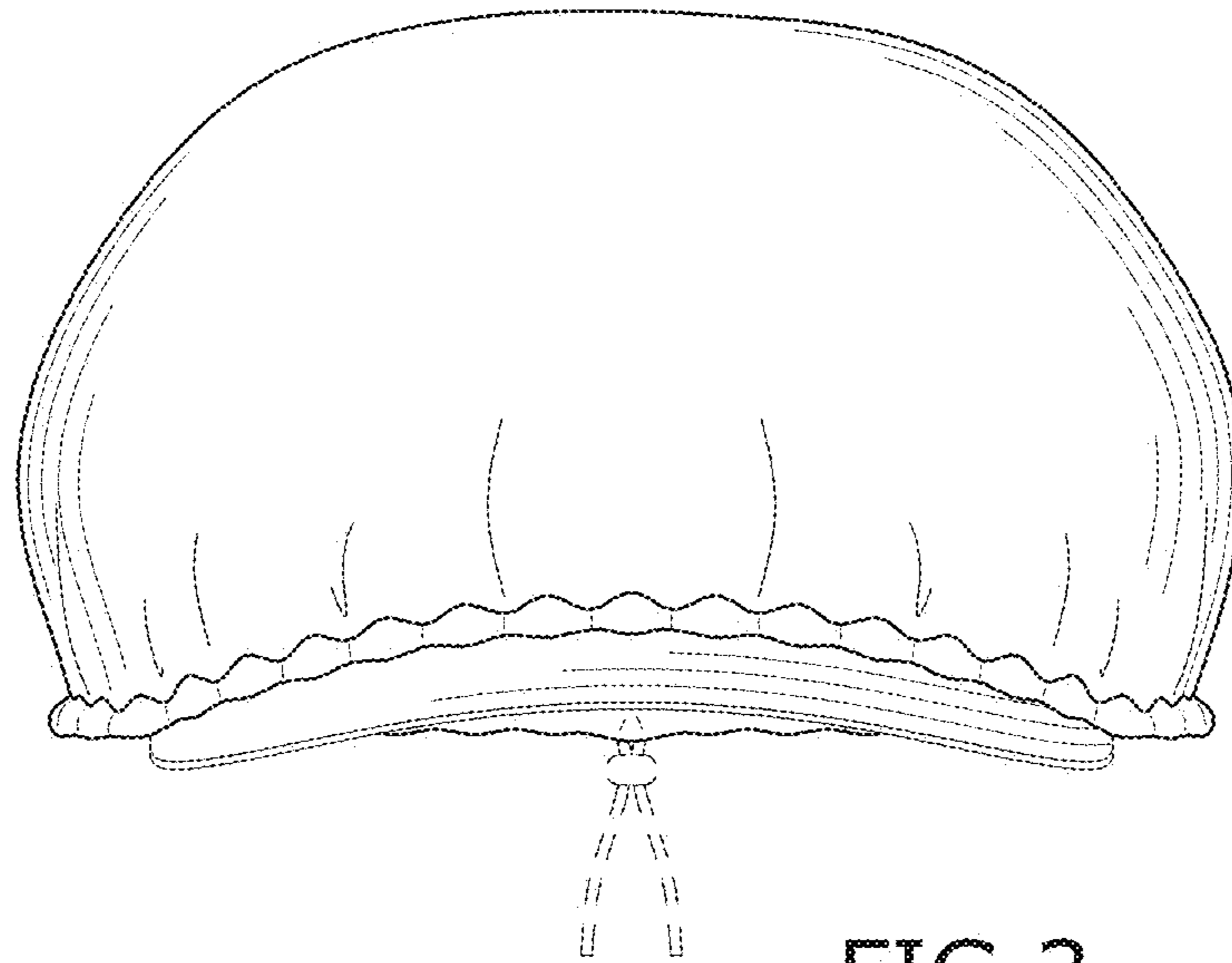


FIG. 3

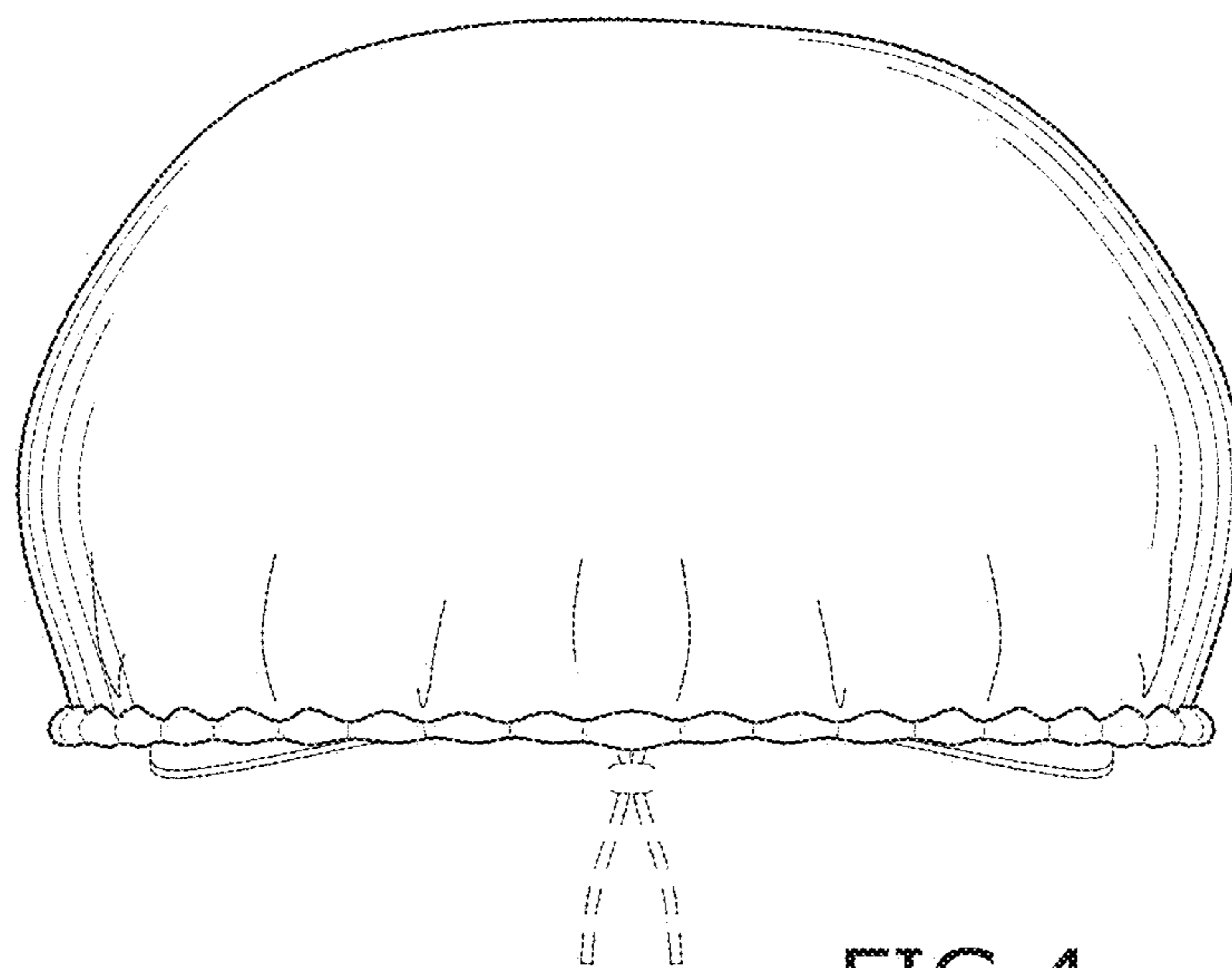


FIG. 4

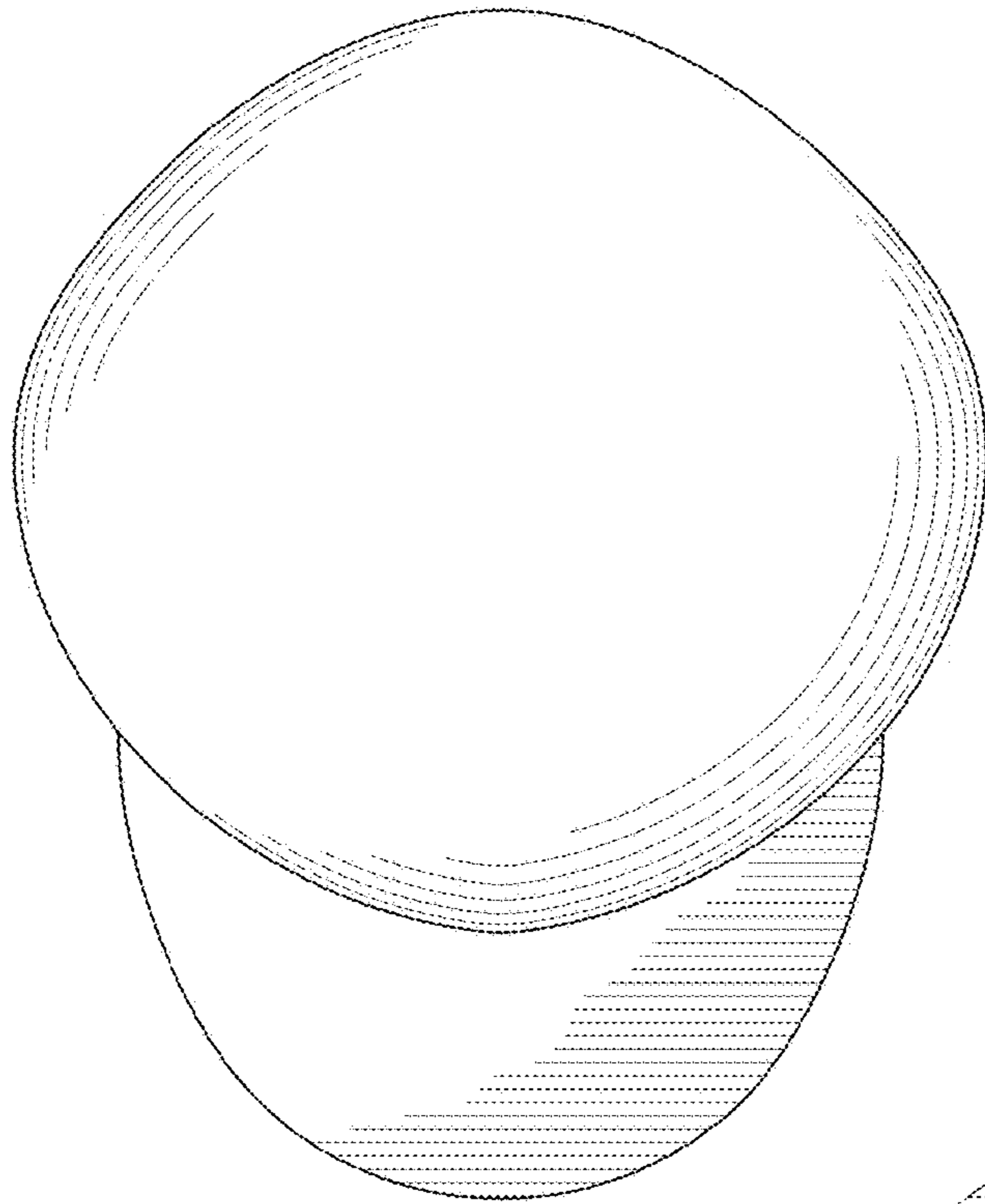


FIG. 5

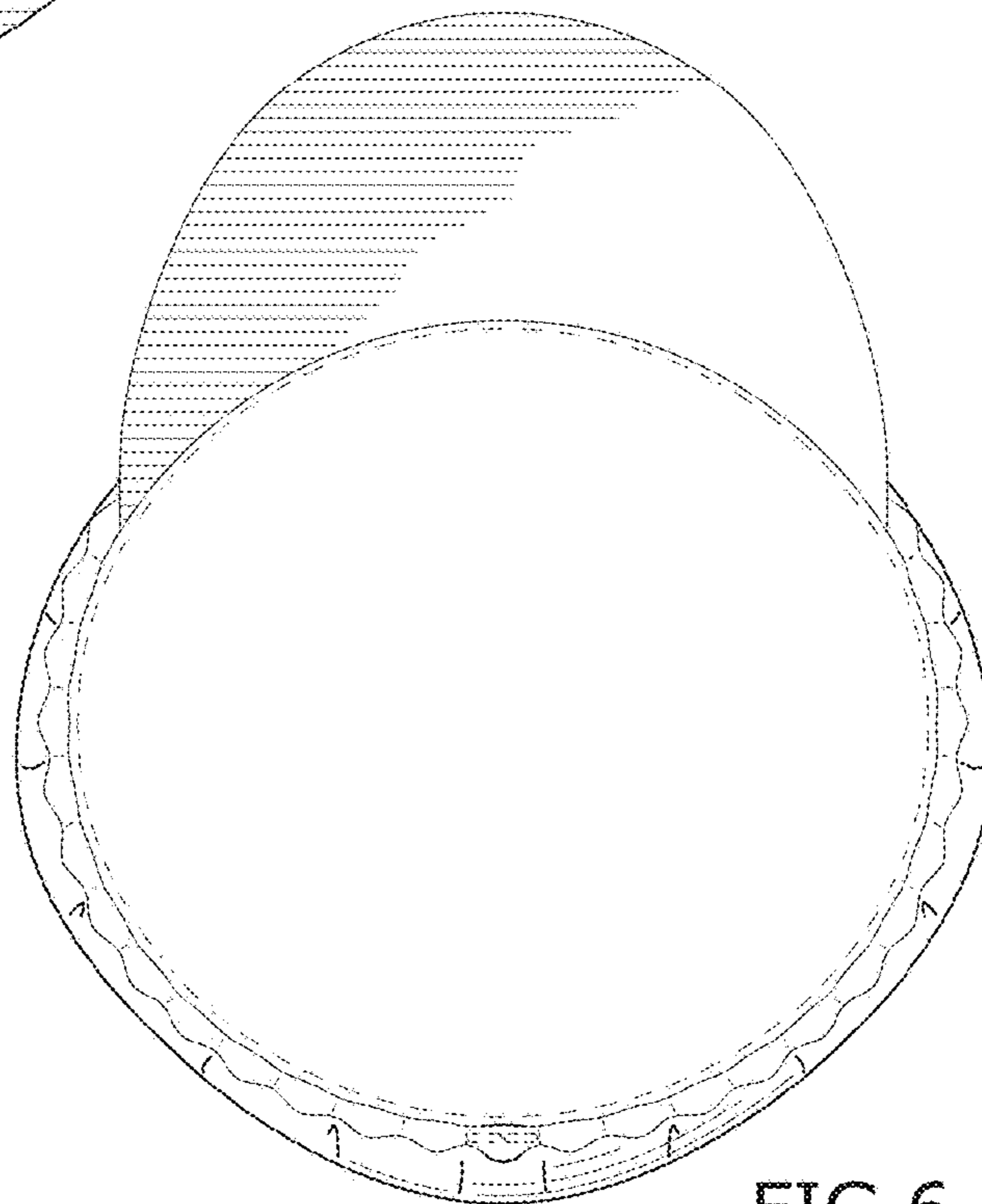


FIG. 6