

US00D838936S

(12) **United States Design Patent**
Kolb

(10) **Patent No.:** **US D838,936 S**

(45) **Date of Patent:** **** Jan. 29, 2019**

(54) **JACKET WITH ANGLED POCKETS**

8,904,564 B2 * 12/2014 Laycock A41D 27/10
2/270

(71) Applicant: **Earle W. Kolb**, Salem, NH (US)

D721,470 S 1/2015 Kolb

D757,397 S * 5/2016 Huang D2/828

(72) Inventor: **Earle W. Kolb**, Salem, NH (US)

D790,806 S * 7/2017 Grosbol D2/828

D794,912 S * 8/2017 Schneider D2/828

(**) Term: **15 Years**

D808,125 S * 1/2018 Crowe D2/828

D808,128 S * 1/2018 Blanchard D2/828

D812,858 S * 3/2018 Lamprey D2/831

(21) Appl. No.: **29/578,346**

2010/0306899 A1 12/2010 Kolb

* cited by examiner

(22) Filed: **Sep. 21, 2016**

(51) **LOC (11) Cl.** **02-02**

Primary Examiner — Robin V Webster

Assistant Examiner — J. Thorn, Sr.

(52) **U.S. Cl.**

(74) *Attorney, Agent, or Firm* — Finch & Maloney PLLC

USPC **D2/828**; D2/839

(58) **Field of Classification Search**

(57) **CLAIM**

USPC D2/828, 759–760, 831, 750, 836; 2/93,
2/115, 85

The ornamental design for a jacket with angled pockets, as shown and described.

CPC . A41D 3/00; A41D 3/02; A41D 27/20; A41D
27/201; A41D 27/202; A41D 2600/102

See application file for complete search history.

DESCRIPTION

(56) **References Cited**

FIG. 1 is a front view of a jacket with angled pockets showing my new design;

FIG. 2 is a rear view thereof;

FIG. 3 is an enlarged view of the right breast pocket thereof;

FIG. 4 is an enlarged view of the left breast pocket thereof;

FIG. 5 is an enlarged view thereof of the right waist pocket thereof;

FIG. 6 is an enlarged view of the left waist pocket thereof;

FIG. 7 is an enlarged view of the top of the jacket thereof;

and,

FIG. 8 is an enlarged rear view of the top portion of the jacket.

U.S. PATENT DOCUMENTS

3,381,307 A * 5/1968 Shingler A41D 13/01
2/252

D266,880 S * 11/1982 Luhtala D2/831

7,171,695 B2 * 2/2007 Braun A41D 27/28
2/247

D609,882 S * 2/2010 Holder D2/828

D639,528 S 6/2011 Kolb

8,341,766 B2 * 1/2013 Rodriguez A41D 3/00
2/93

8,430,204 B1 * 4/2013 Reynolds A62B 35/0006
182/3

D714,525 S * 10/2014 Payne D2/828

1 Claim, 6 Drawing Sheets

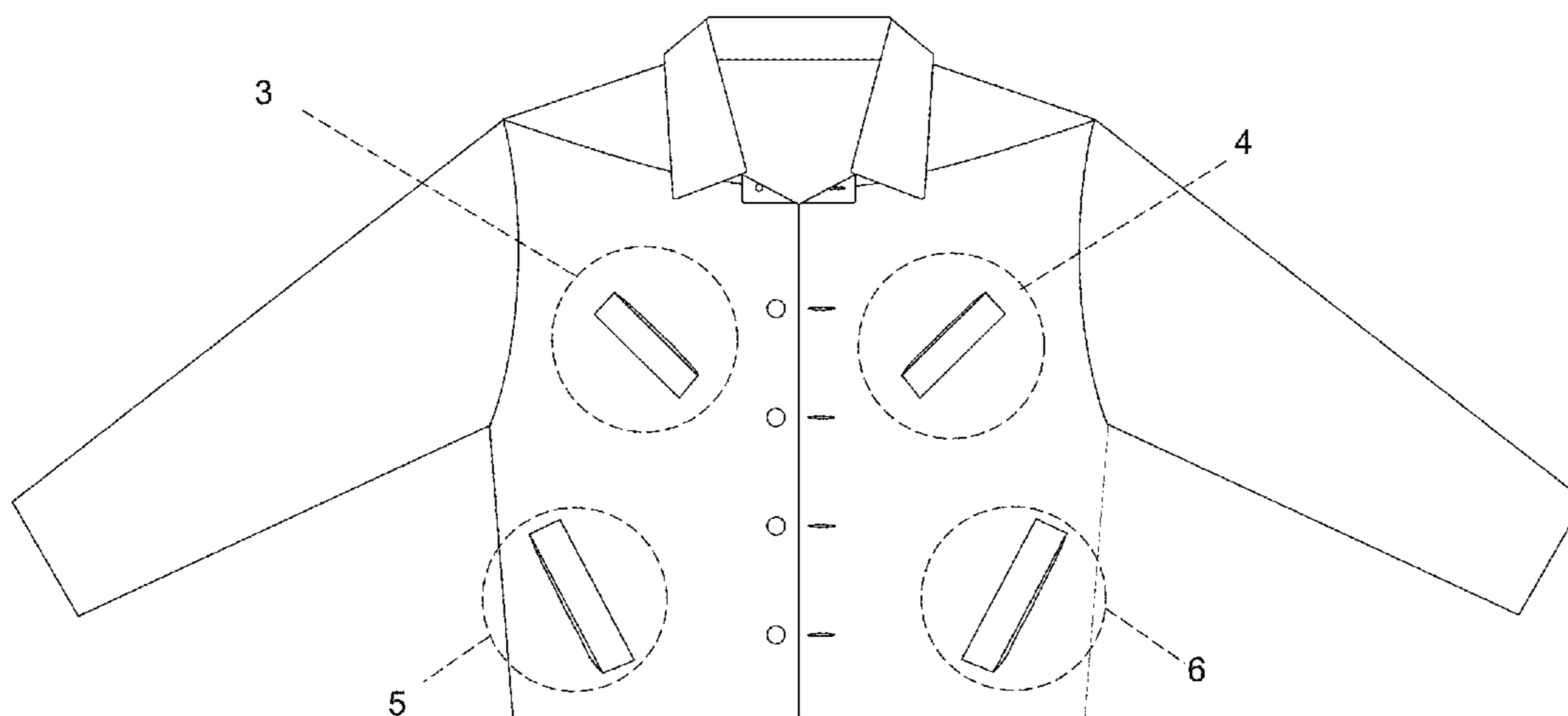


Fig. 1

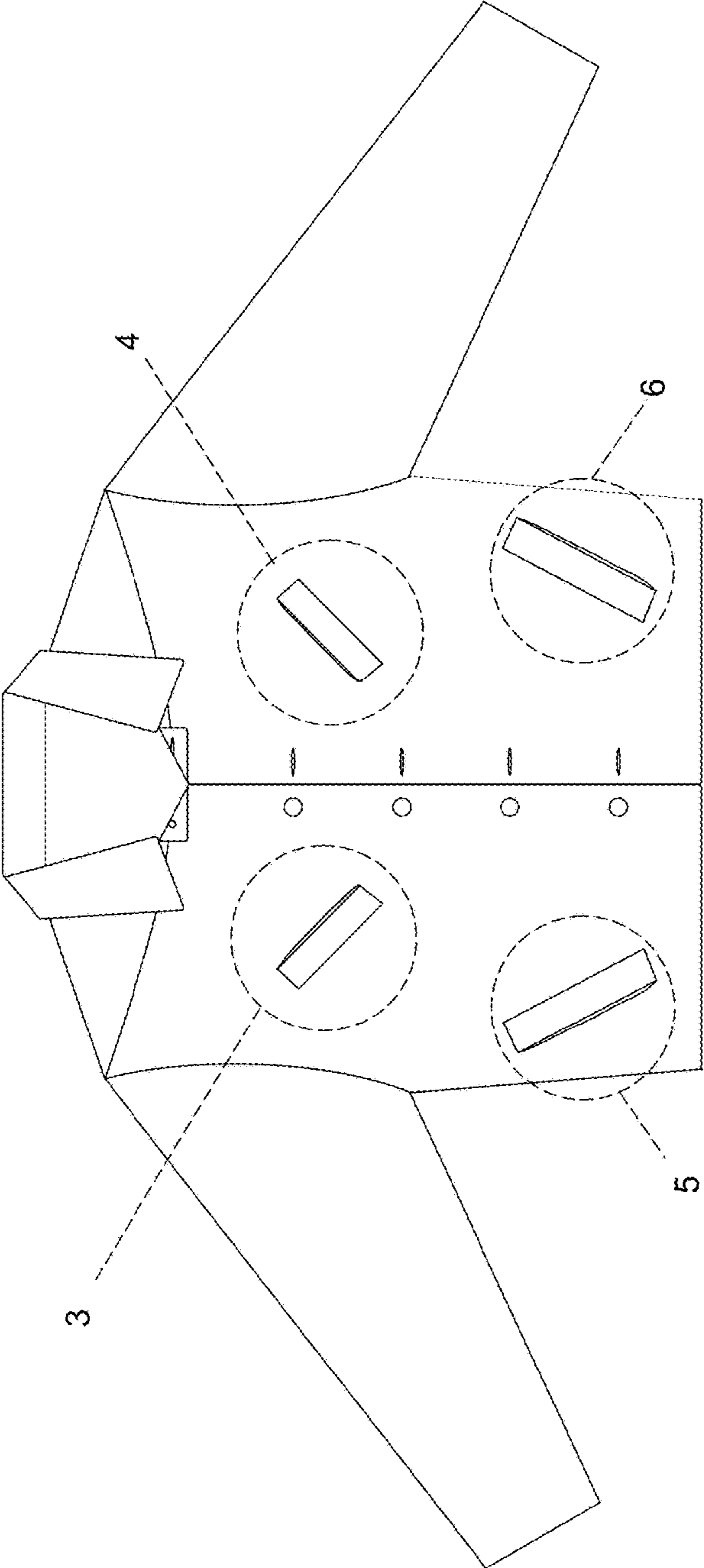


Fig. 2

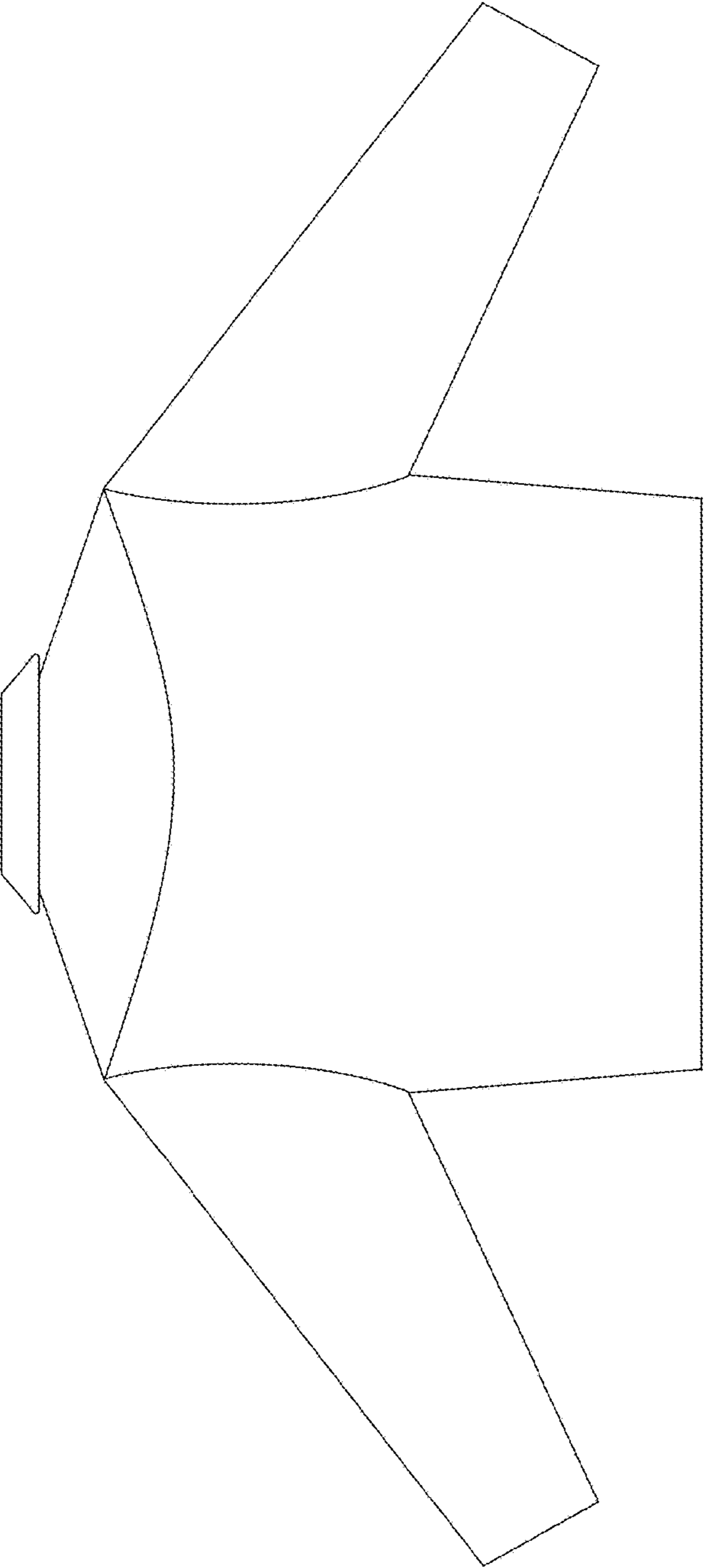


Fig. 4

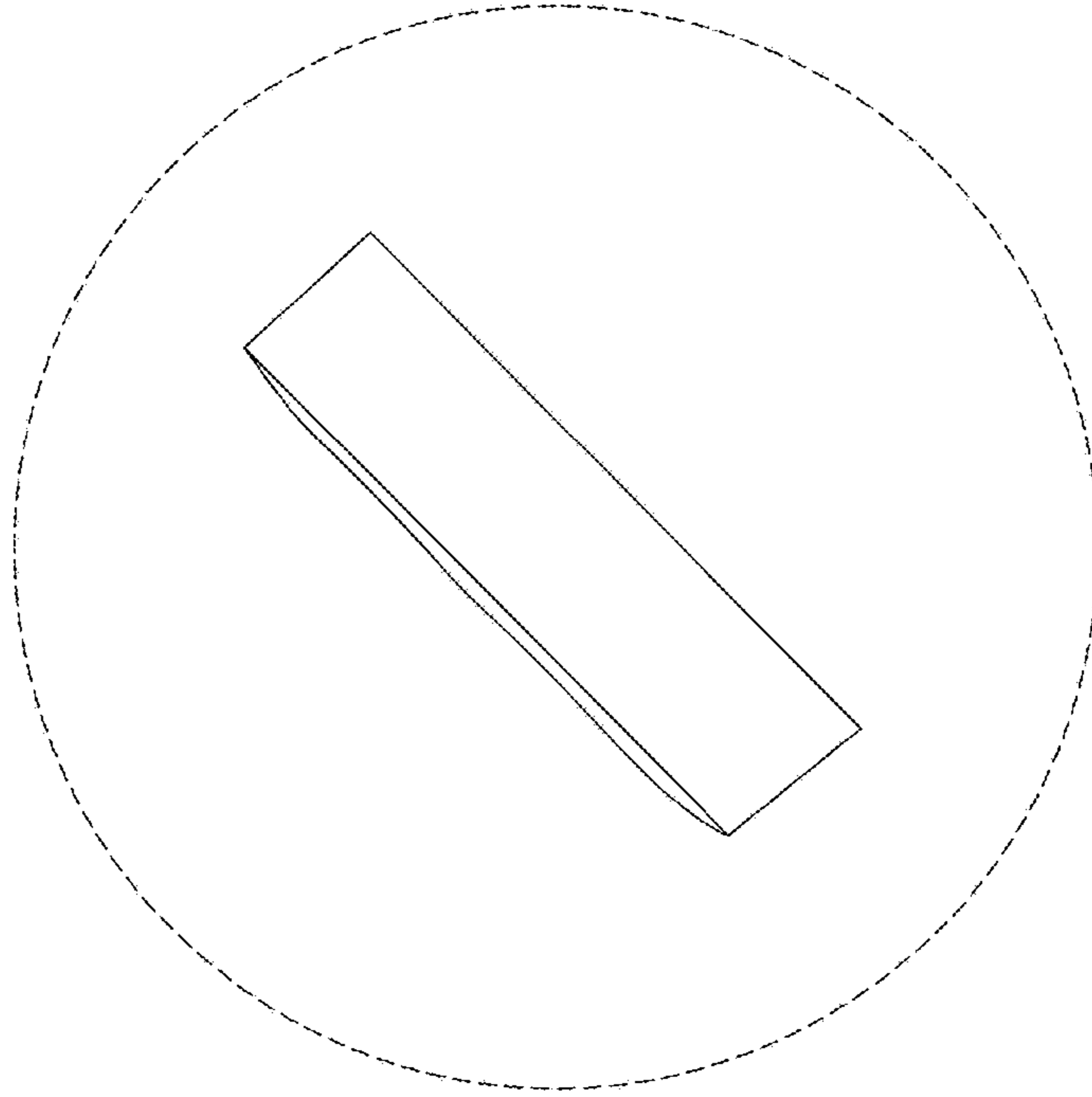


Fig. 3

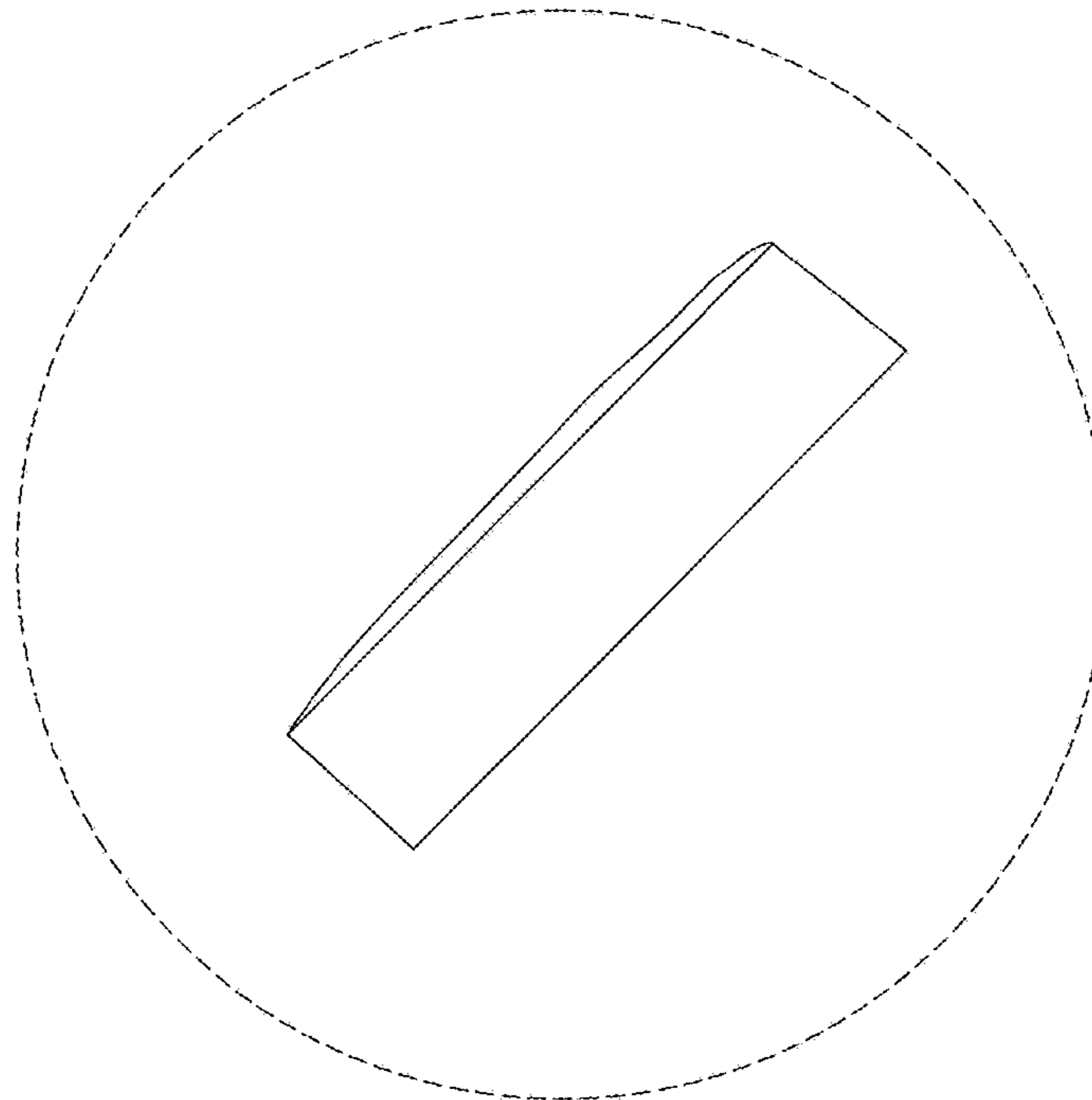


Fig. 6

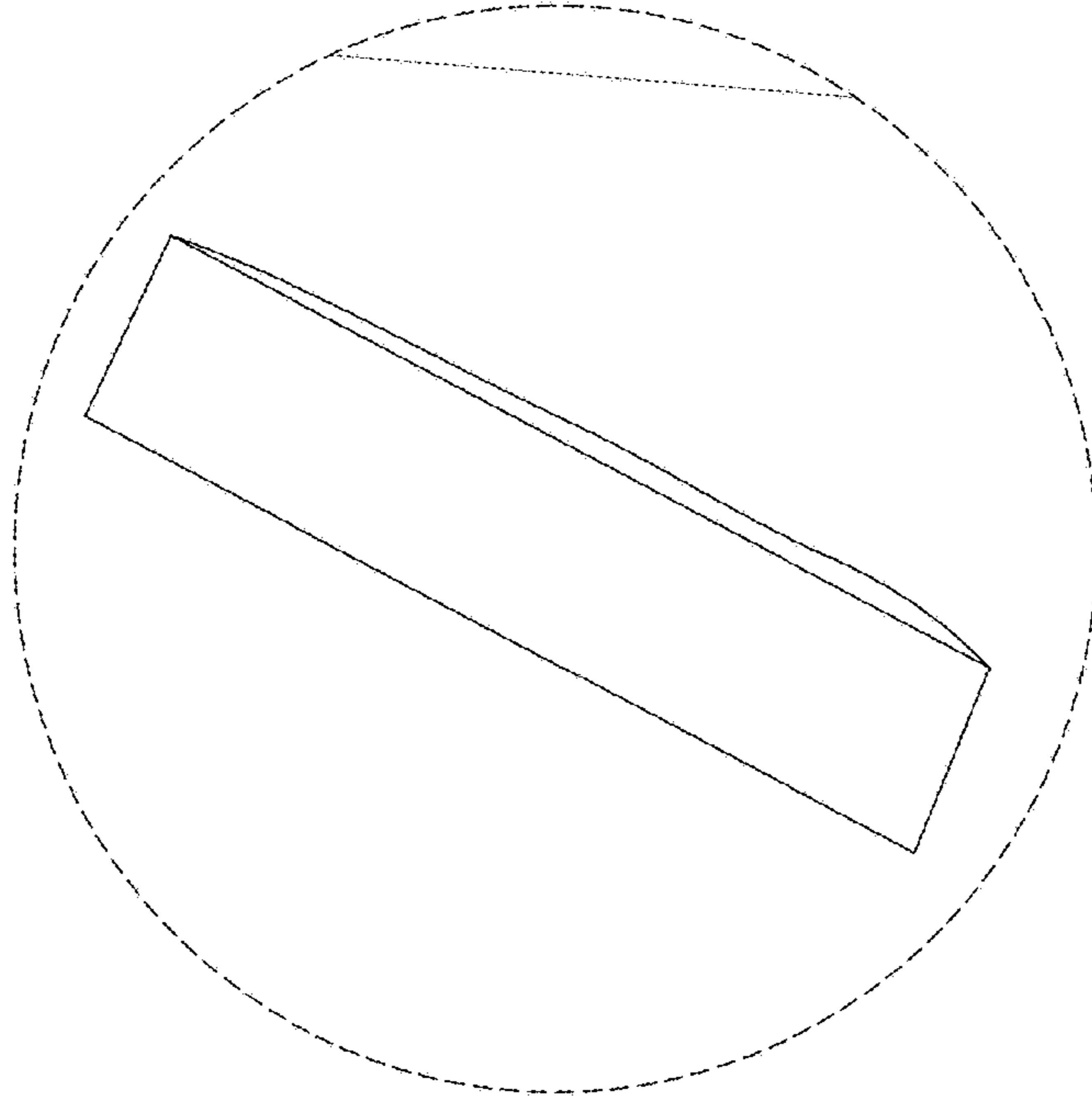


Fig. 5

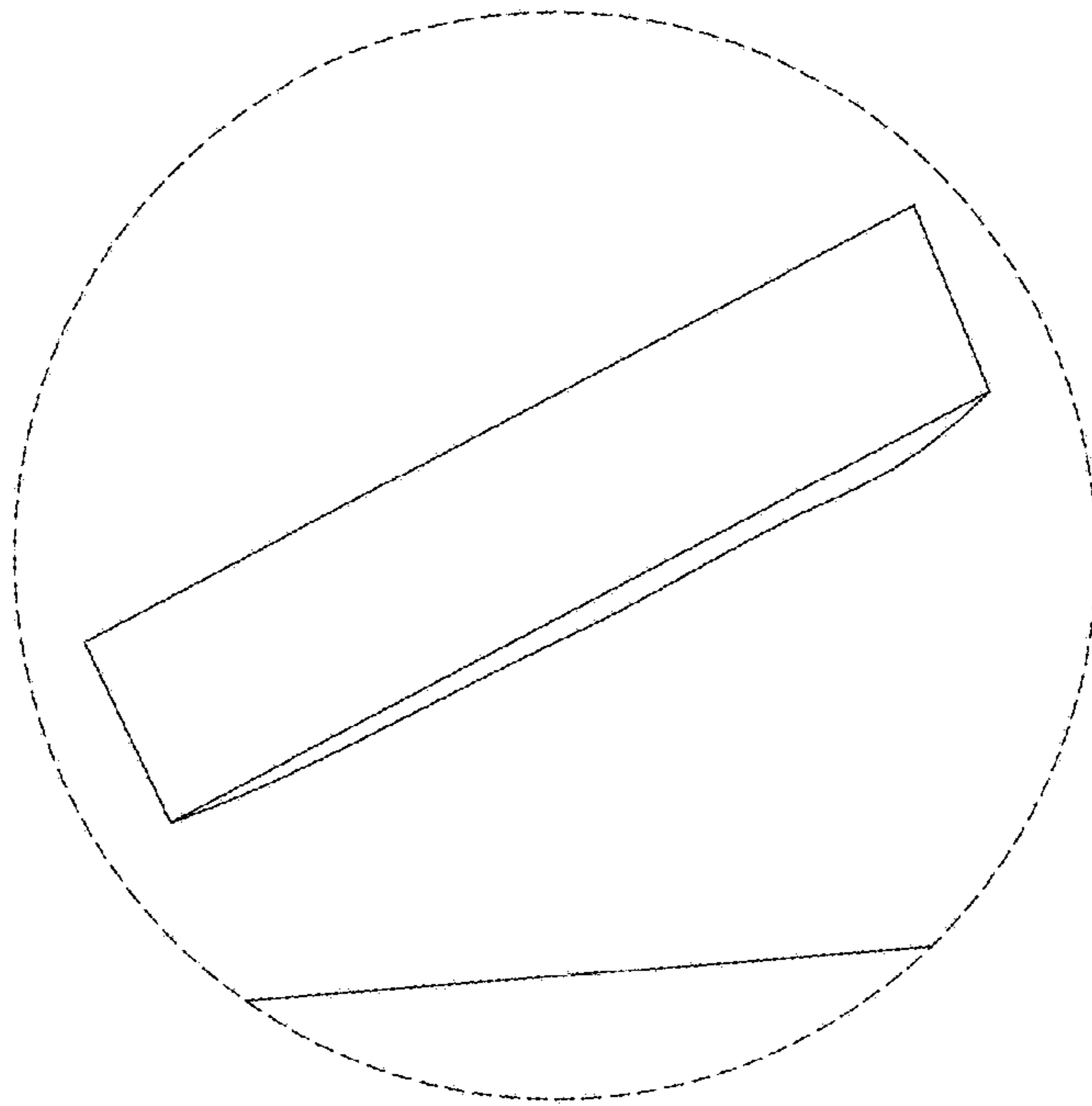


Fig. 7

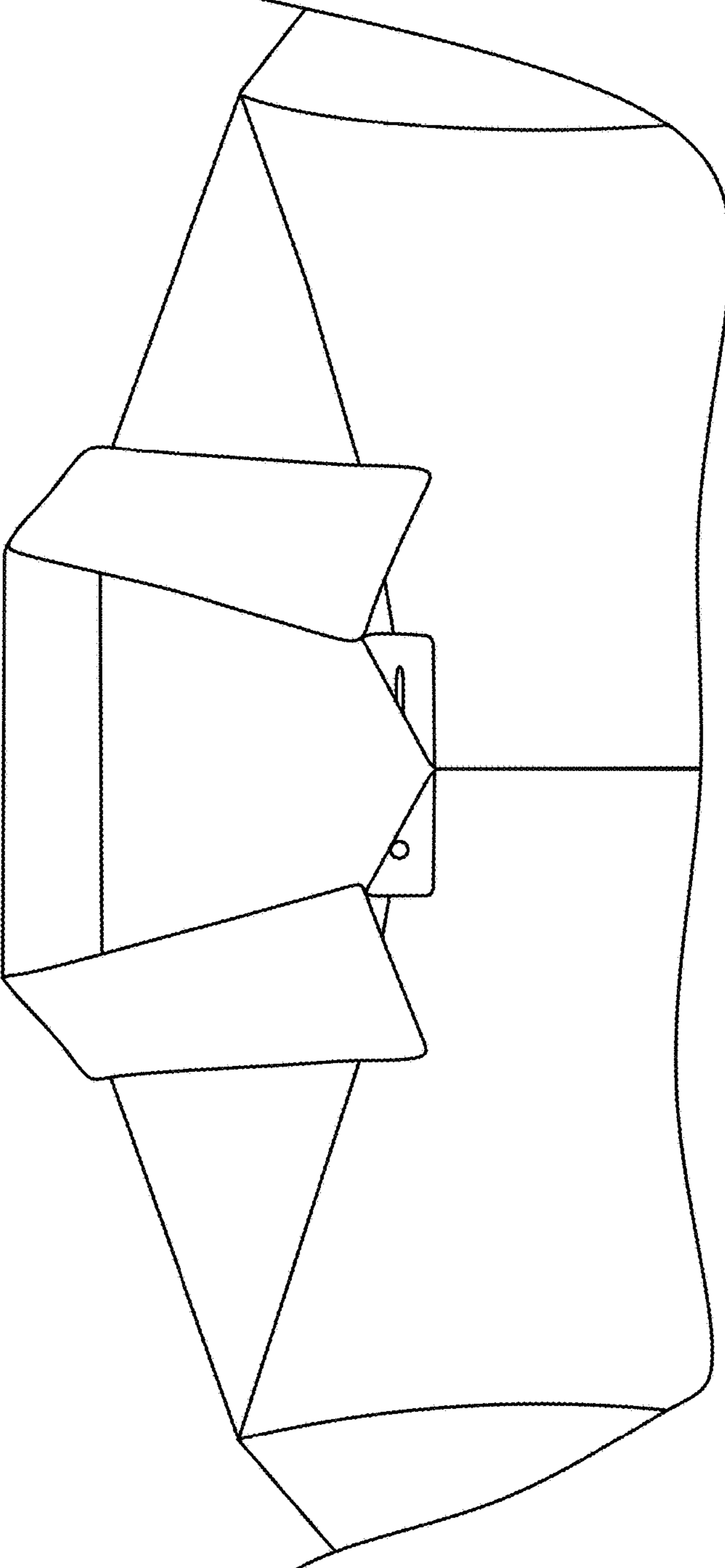


Fig. 8

