



US00D838931S

(12) **United States Design Patent**  
**Yan**

(10) **Patent No.:** **US D838,931 S**  
(45) **Date of Patent:** **\*\* Jan. 29, 2019**

- (54) **MALE UNDERWEAR**
- (71) Applicant: **Shenzhen Smashing Technology Co., Ltd.**, Zhongshan (CN)
- (72) Inventor: **Kaixuan Yan**, Zhongshan (CN)
- (73) Assignee: **Shenzhen Smashing Technology Co., Ltd.**, Zhongshan (CN)

3,621,846 A	11/1971	Lehman	
4,195,630 A	4/1980	Connery et al.	
4,526,167 A	7/1985	Ebenal et al.	
4,660,551 A	4/1987	Nishimura	
4,961,419 A	10/1990	Tribble et al.	
5,029,345 A	7/1991	Angheluta et al.	
5,070,869 A	12/1991	Zhang	
5,157,793 A	10/1992	Michels	
5,226,179 A	7/1993	Choi	
D339,902 S *	10/1993	Doherty	..... D2/738
5,283,912 A	2/1994	Chung	

(\*\*) Term: **15 Years**

(21) Appl. No.: **29/622,291**

(22) Filed: **Oct. 16, 2017**

**Related U.S. Application Data**

(63) Continuation-in-part of application No. 15/360,900, filed on Nov. 23, 2016.

**Foreign Application Priority Data**

Nov. 14, 2016 (CN) ..... 2016 2 1230874

(51) **LOC (11) Cl.** ..... **02-01**

(52) **U.S. Cl.**  
USPC ..... **D2/712**

(58) **Field of Classification Search**  
USPC ..... D2/712, 731, 704, 738, 711, 713  
CPC ..... A41D 7/00; A41D 7/005; A41D 1/062;  
A41B 9/00; A41B 9/02  
See application file for complete search history.

(56) **References Cited**

**U.S. PATENT DOCUMENTS**

2,235,849 A *	3/1941	Reis	.....	A41B 9/02	2/234
2,438,310 A *	3/1948	Ashe	.....	A41B 9/02	2/403
3,207,155 A	9/1965	Casey			
3,459,181 A	8/1969	Mann			

**FOREIGN PATENT DOCUMENTS**

CN	2405442 Y	11/2000
CN	202738819 U	8/2012

(Continued)

*Primary Examiner* — Robin V Webster  
*Assistant Examiner* — J. Thorn, Sr.

(74) *Attorney, Agent, or Firm* — DLA Piper LLP (US)

(57) **CLAIM**

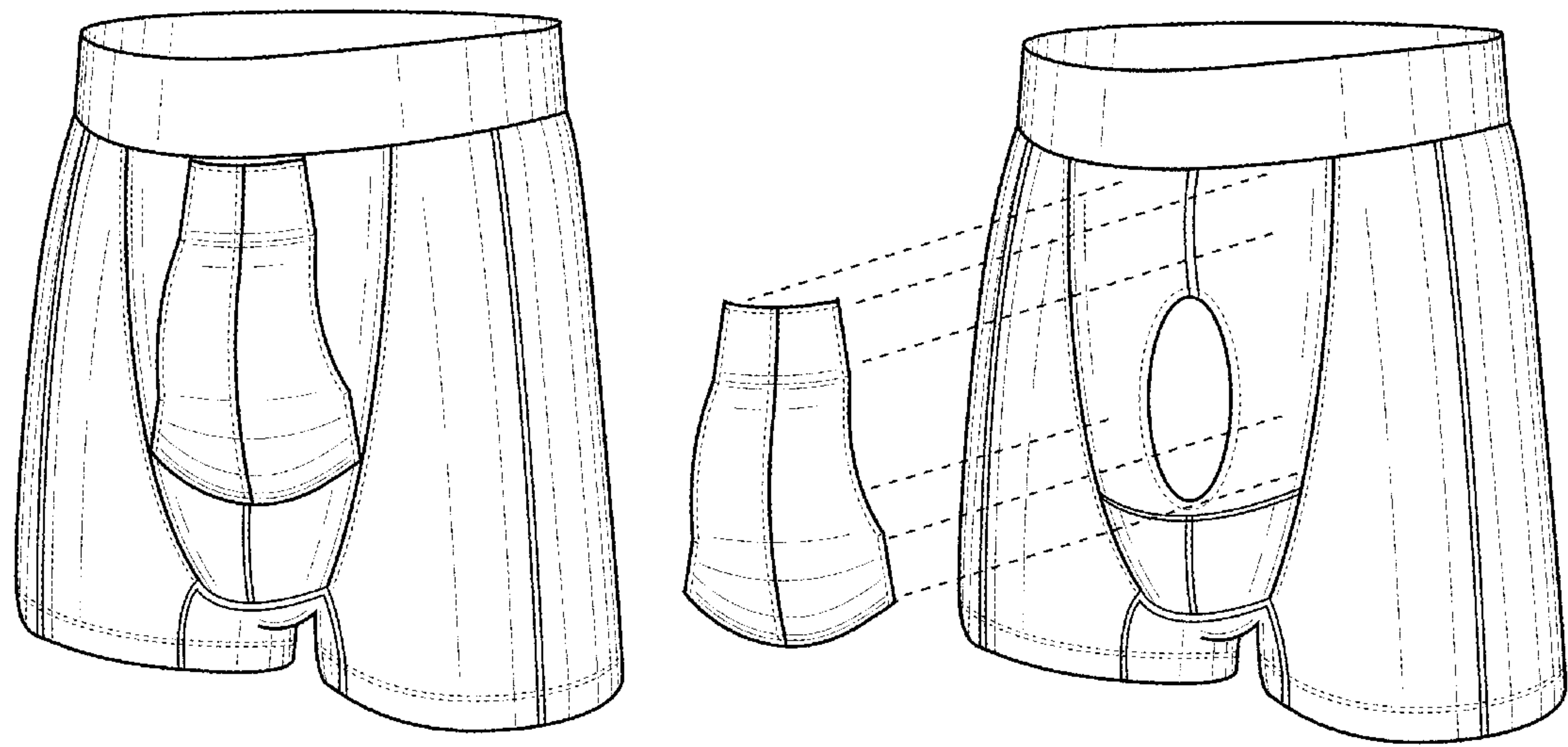
The ornamental design for male underwear, as shown and described.

**DESCRIPTION**

FIG. 1 is a front perspective of male underwear in accordance with the present invention;  
FIG. 2 is a front view thereof;  
FIG. 3 is a right view thereof;  
FIG. 4 is a left side view thereof;  
FIG. 5 is a back side view thereof;  
FIG. 6 is a top view thereof;  
FIG. 7 is a bottom view thereof; and,  
FIG. 8 is an exploded view thereof, illustrating openings between the front pouch and the main body of the underwear.

The broken lines in the drawings depict environmental subject matter and form no part of the claimed design.

**1 Claim, 4 Drawing Sheets**



(56)

References Cited

U.S. PATENT DOCUMENTS

5,290,270 A 5/1994 Fisher  
 5,524,298 A 6/1996 Plunkett  
 5,555,568 A 9/1996 Yon  
 5,598,587 A 2/1997 Wada  
 5,647,065 A 7/1997 Richerson  
 5,716,350 A 2/1998 Ryan  
 5,870,779 A 2/1999 Heron  
 5,875,495 A 3/1999 Thrower  
 6,038,703 A 3/2000 Chung  
 6,245,036 B1 6/2001 McRoberts et al.  
 6,295,651 B1 10/2001 Kang  
 6,820,284 B2 11/2004 Horikoshi et al.  
 6,862,746 B2 3/2005 Cym et al.  
 6,901,607 B1 6/2005 Elwell  
 7,024,703 B1 4/2006 Della Ratta  
 7,100,213 B2 9/2006 Krautbauer  
 D540,009 S \* 4/2007 Ceffalio ..... D2/712  
 D572,430 S \* 7/2008 Wong ..... D2/712  
 7,669,253 B2 3/2010 Lin  
 7,788,739 B1 9/2010 Della Ratta  
 7,810,173 B1 10/2010 Lambeth  
 7,958,571 B2 6/2011 Kitsch et al.  
 7,993,322 B2 8/2011 Brud et al.  
 D651,378 S 1/2012 Cho et al.  
 D657,937 S \* 4/2012 Jones ..... D2/712  
 D660,551 S 5/2012 Steele  
 D664,326 S 7/2012 Steele  
 D681,914 S 5/2013 Scott  
 8,555,422 B2 10/2013 Steele  
 8,615,815 B2 12/2013 Dahlquist  
 8,672,916 B2 3/2014 Brud et al.  
 8,726,423 B2 5/2014 Gu

8,782,817 B2 7/2014 Gu  
 8,800,064 B2 8/2014 Delija  
 D722,420 S \* 2/2015 Abrams ..... D2/712  
 8,997,264 B2 4/2015 Steele  
 D735,444 S \* 8/2015 Harris ..... D2/712  
 D759,345 S \* 6/2016 Astin ..... D2/712  
 D761,519 S \* 7/2016 Astin ..... D2/712  
 D762,045 S 7/2016 Popp et al.  
 9,451,794 B2 9/2016 Lin  
 D786,535 S \* 5/2017 Grosse ..... D2/738  
 9,687,030 B2 6/2017 Bigney et al.  
 D794,904 S \* 8/2017 Johnston ..... D2/700  
 D798,530 S \* 10/2017 Cook ..... D2/700  
 D809,242 S 2/2018 Kimel et al.  
 D809,243 S 2/2018 Kimel et al.  
 D810,398 S 2/2018 Kimel et al.  
 9,889,047 B2 2/2018 Mathison  
 D820,558 S \* 6/2018 Warman ..... D2/712  
 2013/0117911 A1 5/2013 Nam  
 2014/0331390 A1 \* 11/2014 Matsumoto ..... A41B 9/023  
 2/403  
 2015/0231482 A1 \* 8/2015 Ziehler ..... A63B 71/1216  
 2/403  
 2017/0238634 A1 \* 8/2017 Berns ..... A41D 27/207  
 2017/0290374 A1 \* 10/2017 Biodrowski ..... A41B 9/004  
 2017/0290375 A1 \* 10/2017 Walker ..... A41B 9/02  
 2018/0132538 A1 \* 5/2018 Yan ..... A41B 9/002

FOREIGN PATENT DOCUMENTS

CN 2002738819 U 8/2012  
 CN 202774143 U 3/2013  
 CN 204335838 U 5/2015

\* cited by examiner

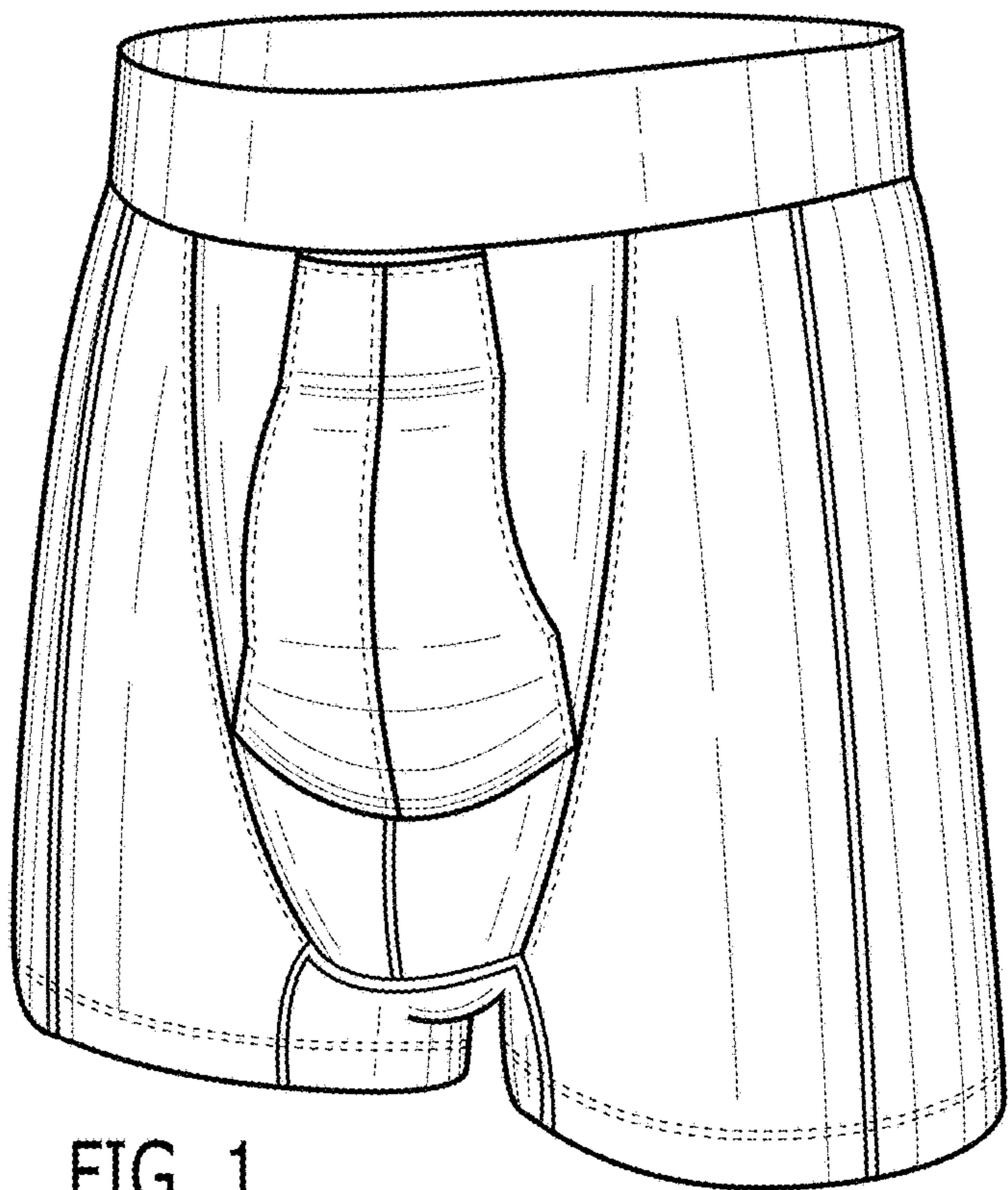


FIG. 1

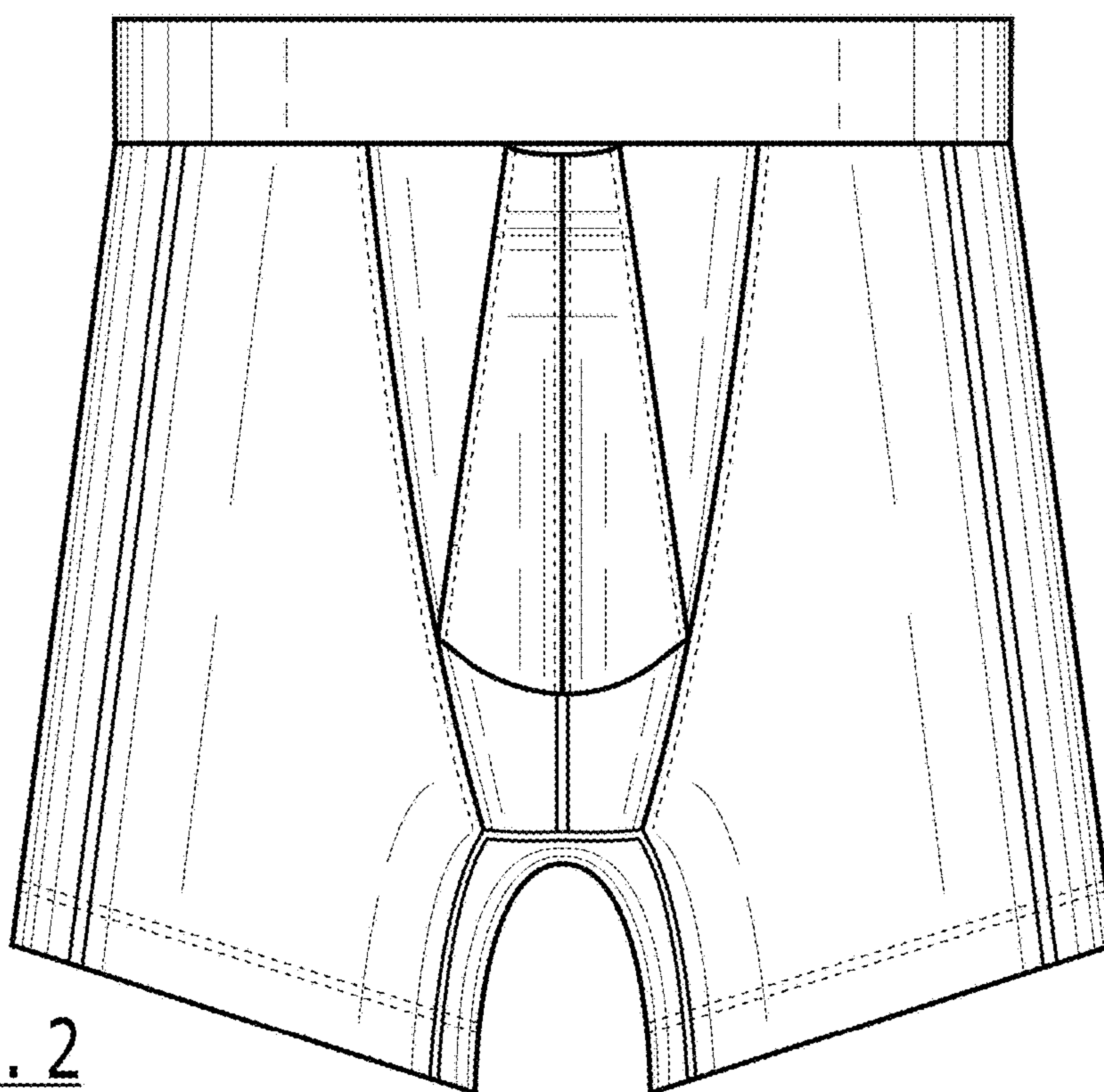


FIG. 2



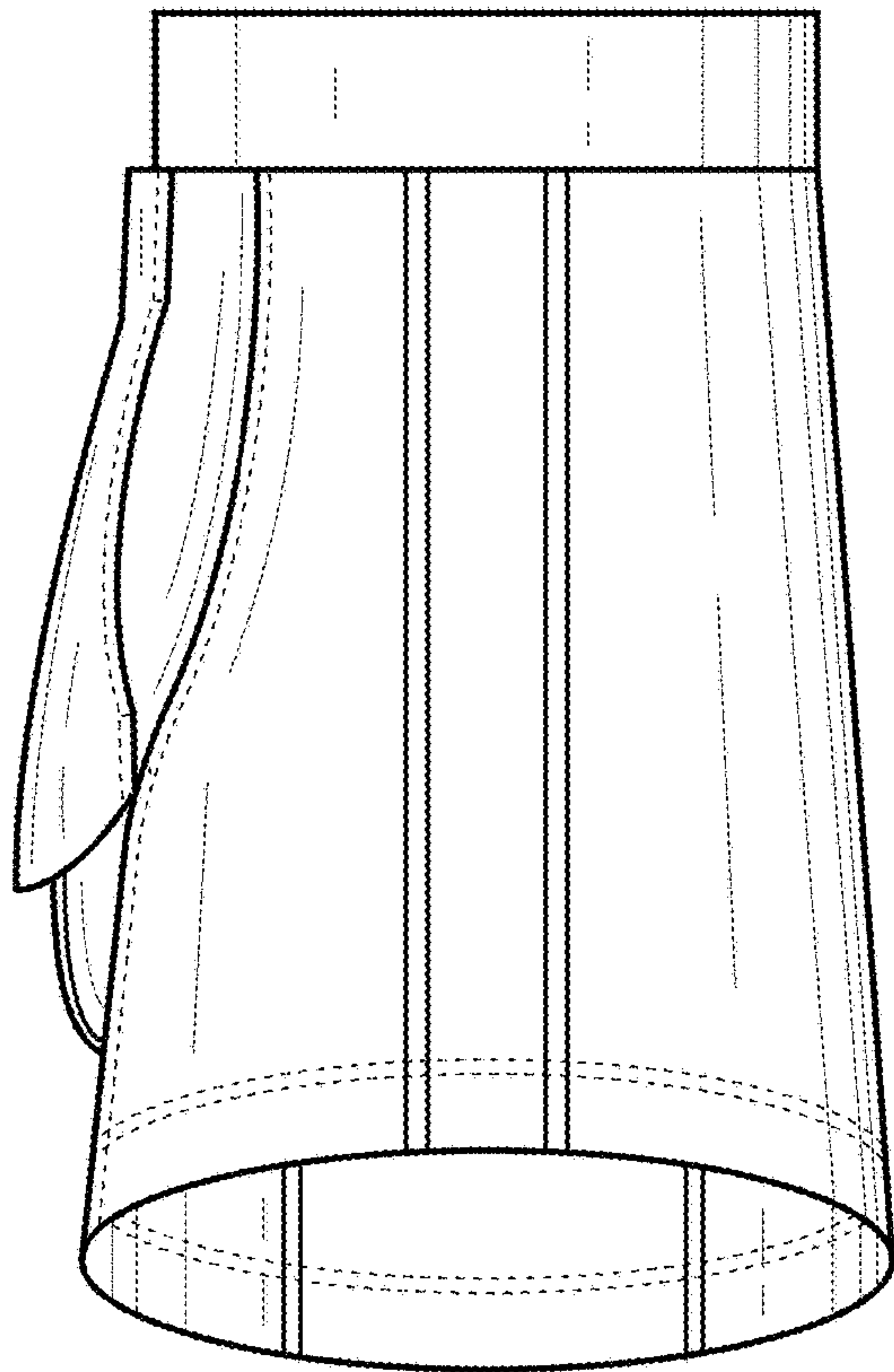


FIG. 3

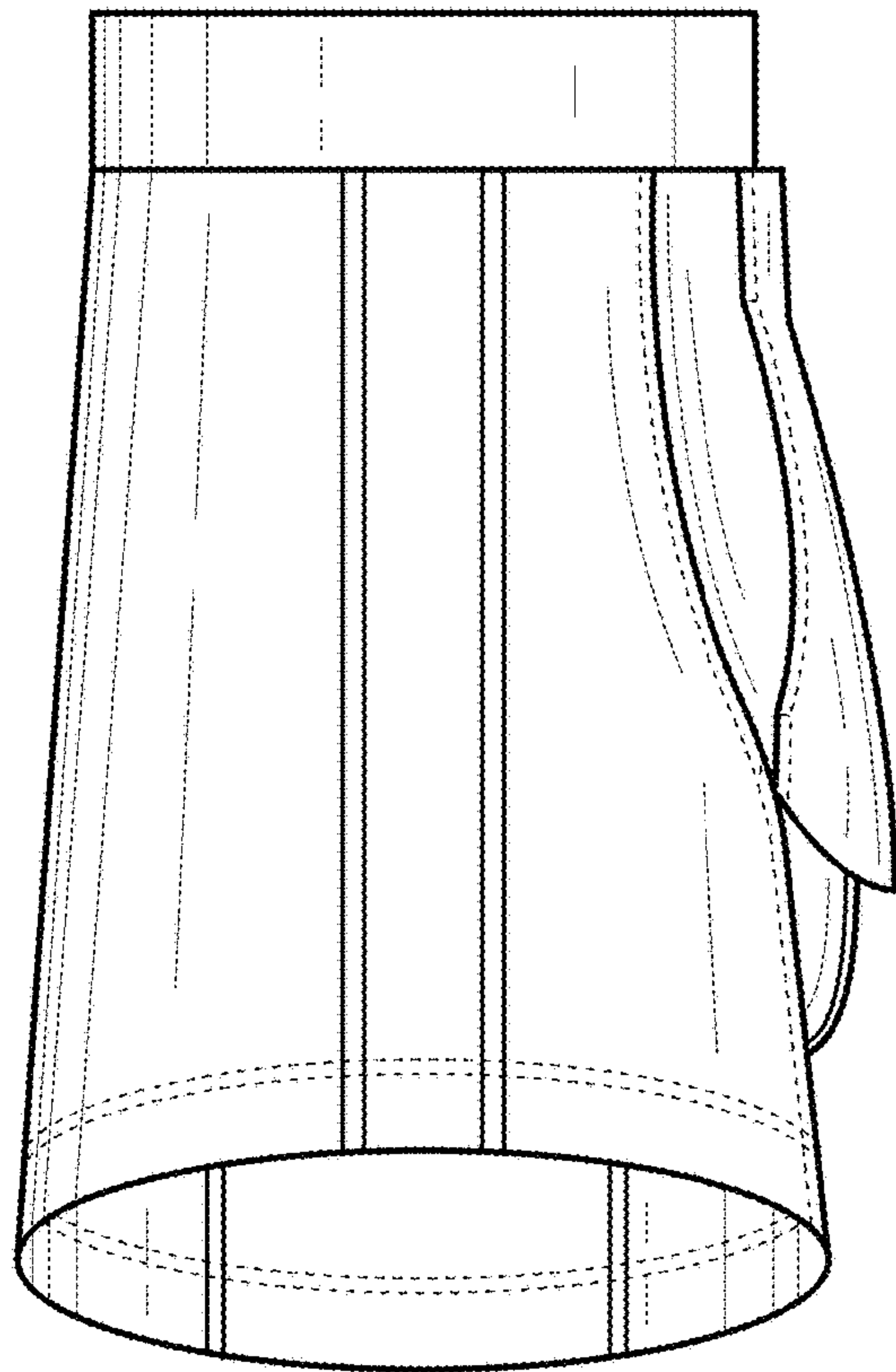


FIG. 4

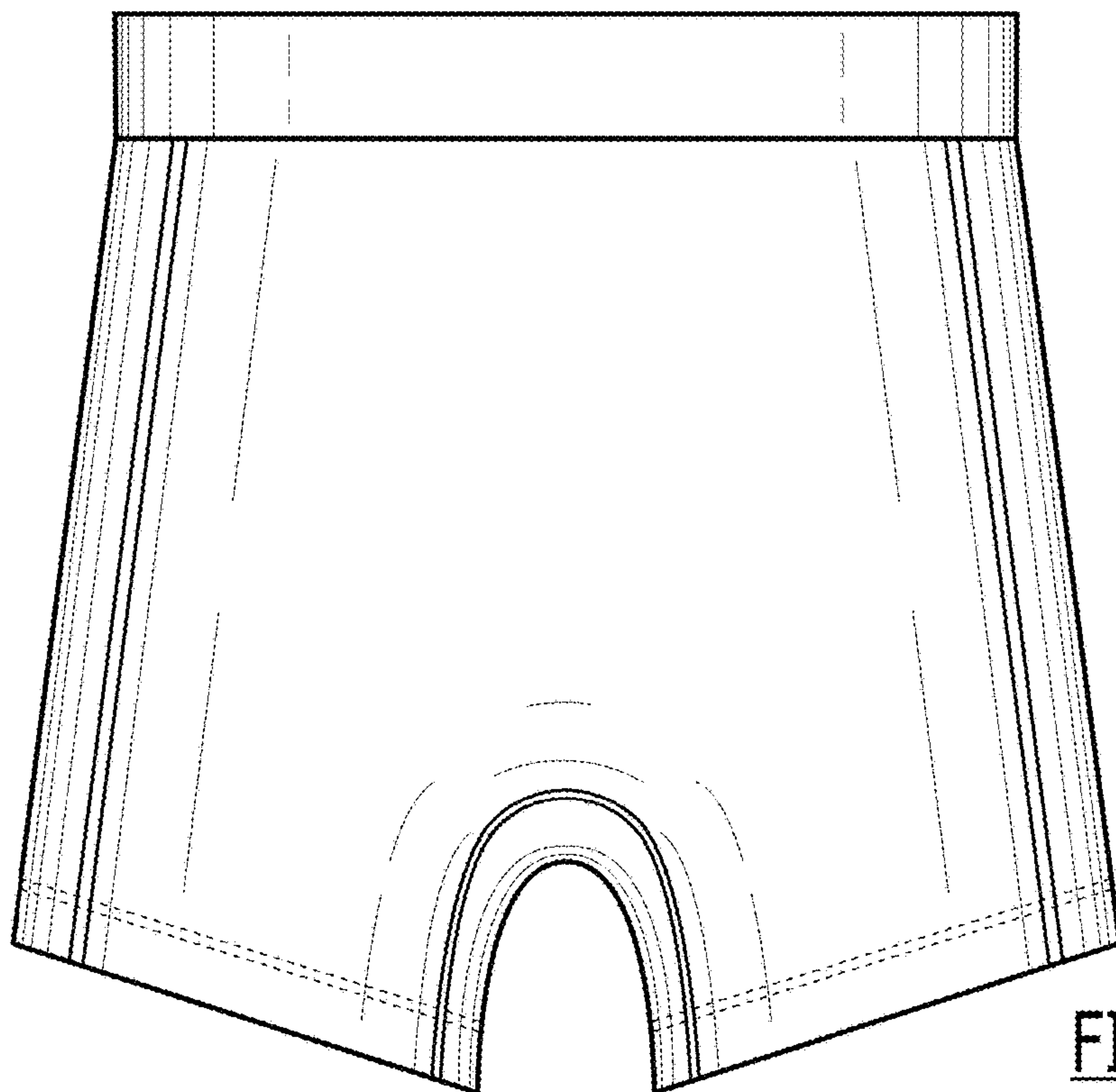


FIG. 5

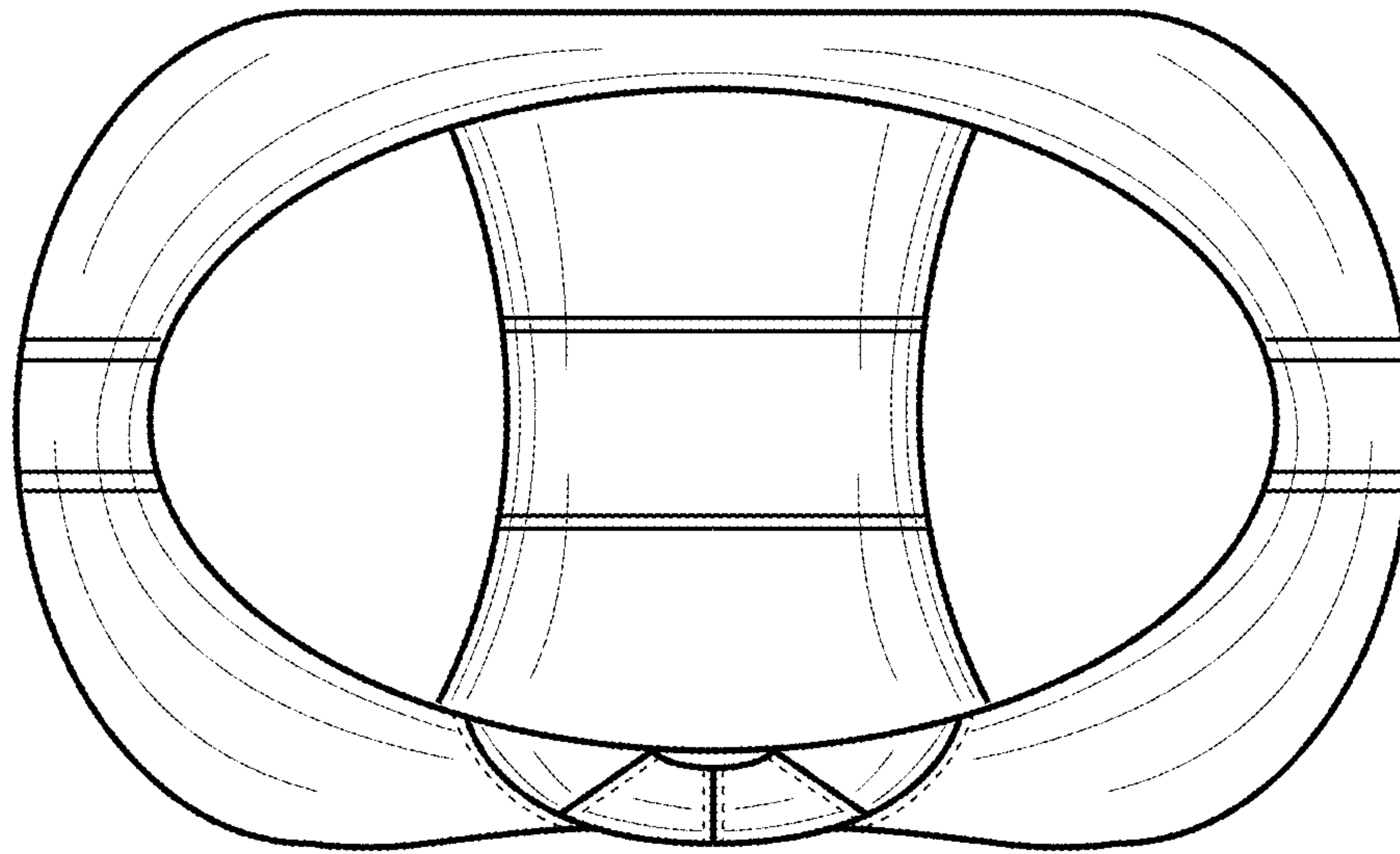


FIG. 6

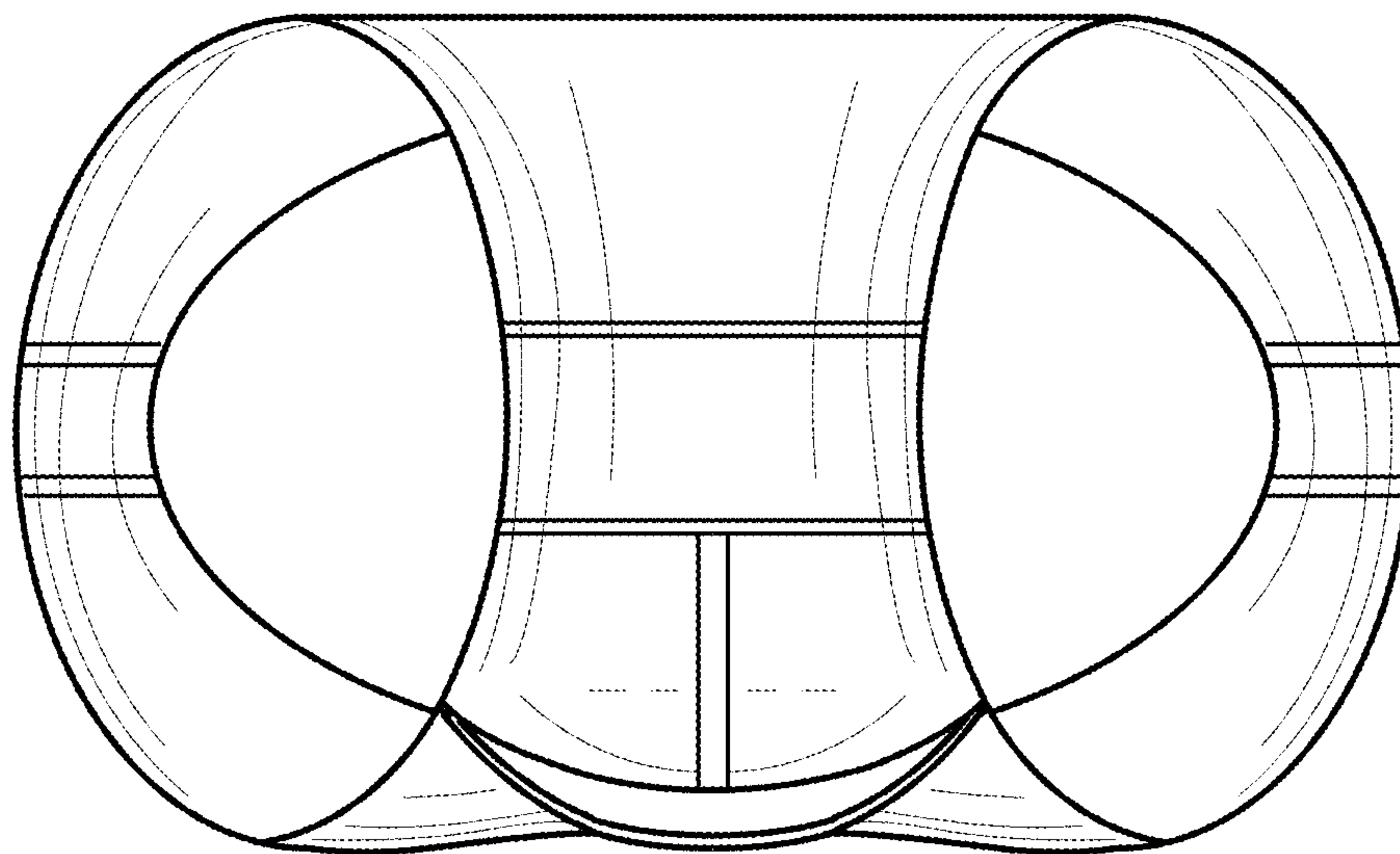


FIG. 7

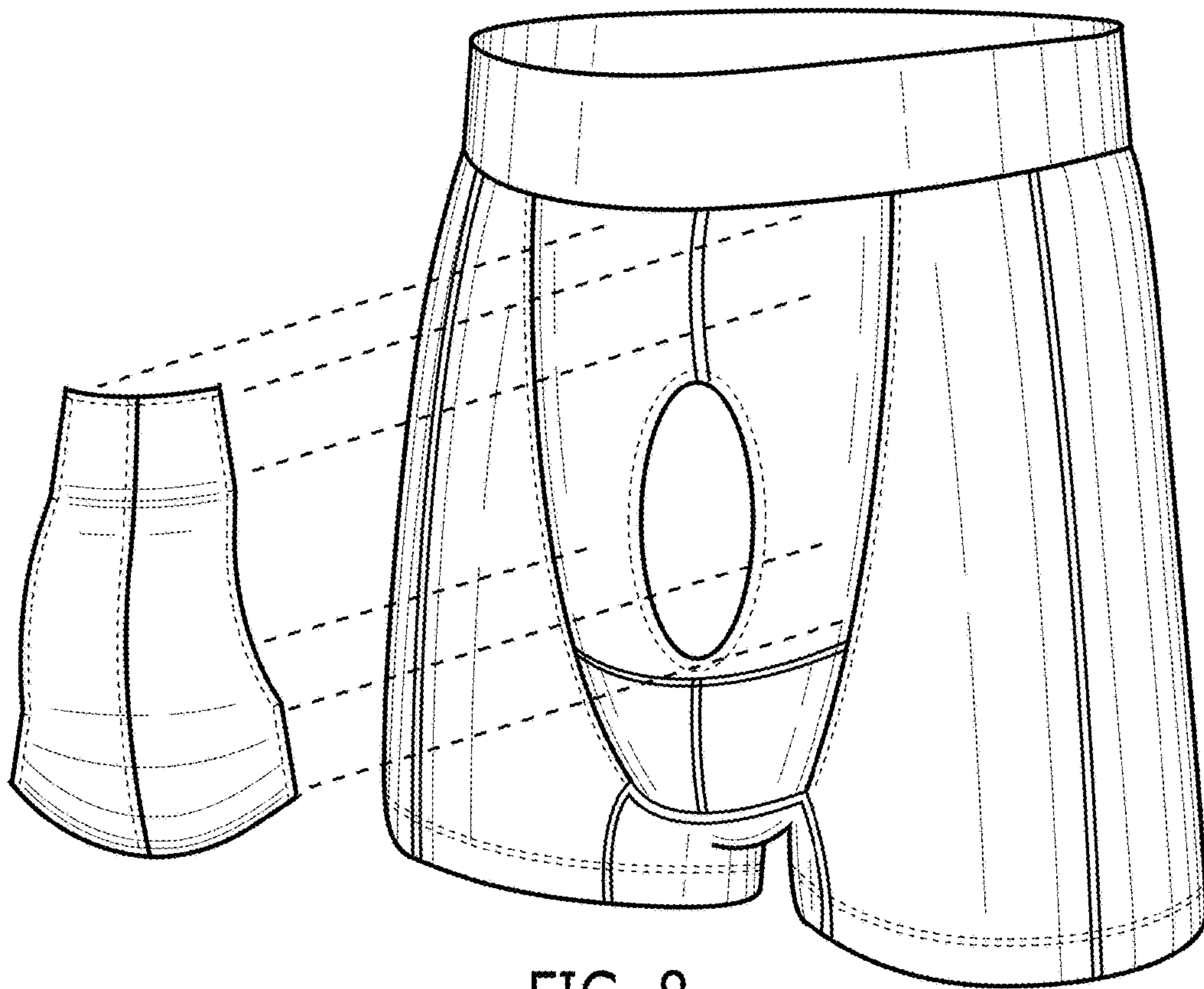


FIG. 8