



US00D838925S

(12) **United States Design Patent**
Qiu et al.

(10) **Patent No.:** **US D838,925 S**
(45) **Date of Patent:** **** Jan. 22, 2019**

(54) **BLOWER**

(71) Applicant: **CHERVON (HK) LIMITED**, Wanchai (HK)

(72) Inventors: **Xunzhuang Qiu**, Nanjing (CN); **Bowei Xu**, Nanjing (CN)

(73) Assignee: **Chevron (HK) Limited**, Wanchai (HK)

(**) Term: **15 Years**

(21) Appl. No.: **29/582,376**

(22) Filed: **Oct. 27, 2016**

(30) **Foreign Application Priority Data**

Apr. 27, 2016 (CN) 2016 3 0147833

(51) **LOC (11) Cl.** **15-05**

(52) **U.S. Cl.**
USPC **D32/15**

(58) **Field of Classification Search**
USPC D8/61-70; D3/216; D15/11, 12, 15, 17;
D23/213, 383; D32/1, 15-19, 21, 25
CPC ... A01G 1/125; A47L 5/14; A47L 9/32; F04B
17/00; F04B 35/04
See application file for complete search history.

(56) **References Cited**

U.S. PATENT DOCUMENTS

D359,603 S * 6/1995 Rakocy D32/15
D400,322 S * 10/1998 Webster D32/15
D427,394 S * 6/2000 Yamane D32/15
D468,874 S * 1/2003 Nawrozki D32/15
D469,931 S * 2/2003 Nawrozki D32/15
D481,497 S * 10/2003 Malmqvist D3/216
D558,939 S * 1/2008 Yuasa D32/15

D569,055 S * 5/2008 Bochmann D32/15
D584,461 S * 1/2009 Sweeney D32/15
D668,822 S * 10/2012 Tinius D32/15
D694,082 S * 11/2013 Wrobel D8/70
D696,823 S * 12/2013 Crawley D32/15
D711,056 S * 8/2014 Crawley D15/12
D711,057 S * 8/2014 Crawley D15/12
D719,307 S * 12/2014 Carl D15/12
D735,546 S * 8/2015 Bermudez D8/70
D735,960 S * 8/2015 Zhang D32/15
D741,917 S * 10/2015 Tinius D15/15
D748,876 S * 2/2016 Carl D15/12
D748,877 S * 2/2016 Tirone D15/12
D796,754 S * 9/2017 Hu D32/15
D798,513 S * 9/2017 Tinius D32/15
D798,515 S * 9/2017 Moriya D32/25
D800,400 S * 10/2017 Tinius D32/16

* cited by examiner

Primary Examiner — Darlington Ly

(74) *Attorney, Agent, or Firm* — Greenberg Traurig, LLP

(57) **CLAIM**

What is claimed is the ornamental design for a blower, as shown and described.

DESCRIPTION

FIG. 1 is a perspective view of a blower showing our new design;

FIG. 2 is a front elevational view thereof;

FIG. 3 is a rear elevational view thereof;

FIG. 4 is a left side elevational view thereof;

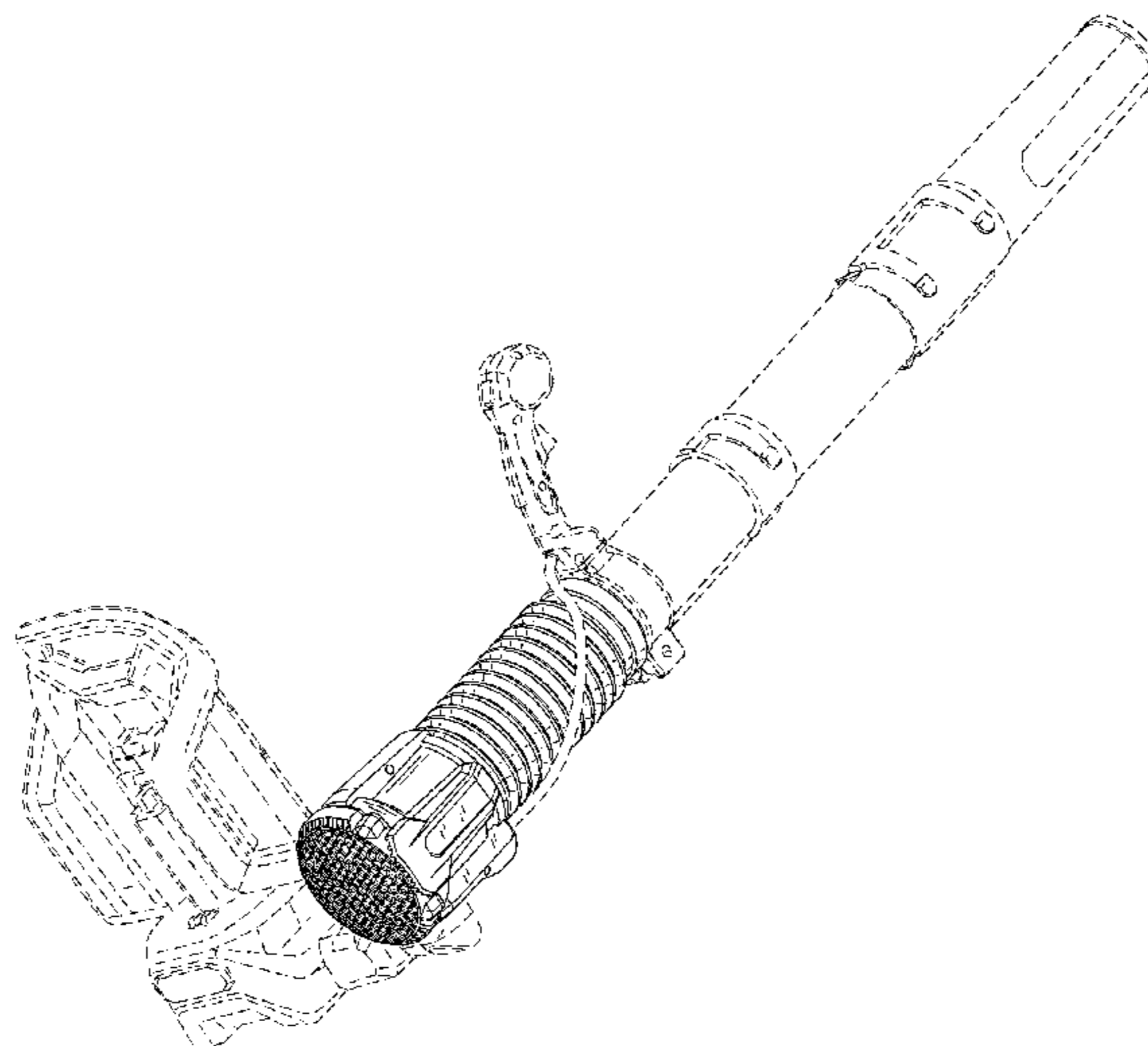
FIG. 5 is a right side elevational view thereof;

FIG. 6 is a top plan view thereof; and,

FIG. 7 is a bottom plan view thereof.

The broken lines in the drawings illustrate portions of the blower that form no part of the claimed design.

1 Claim, 7 Drawing Sheets



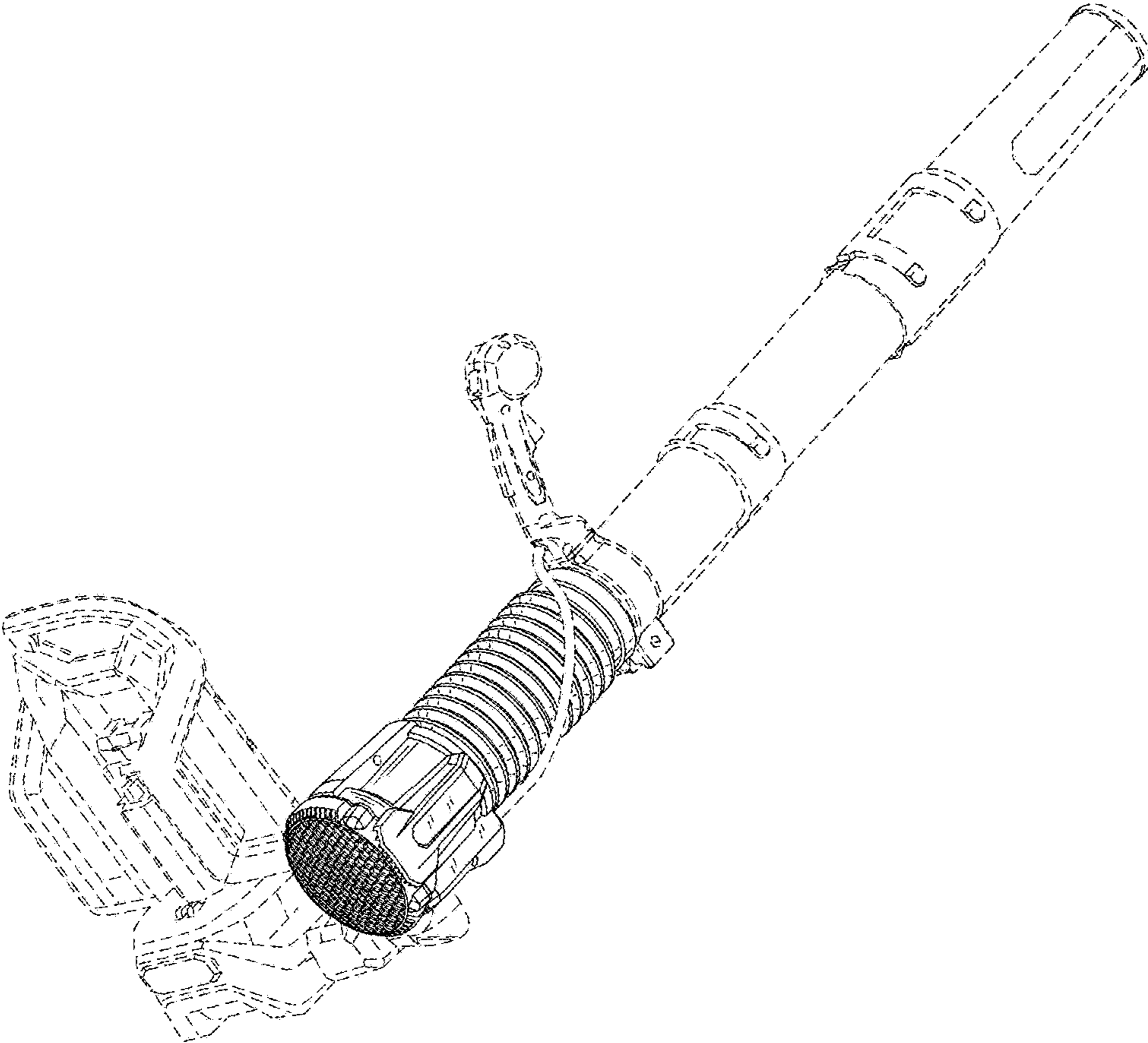


FIG. 1

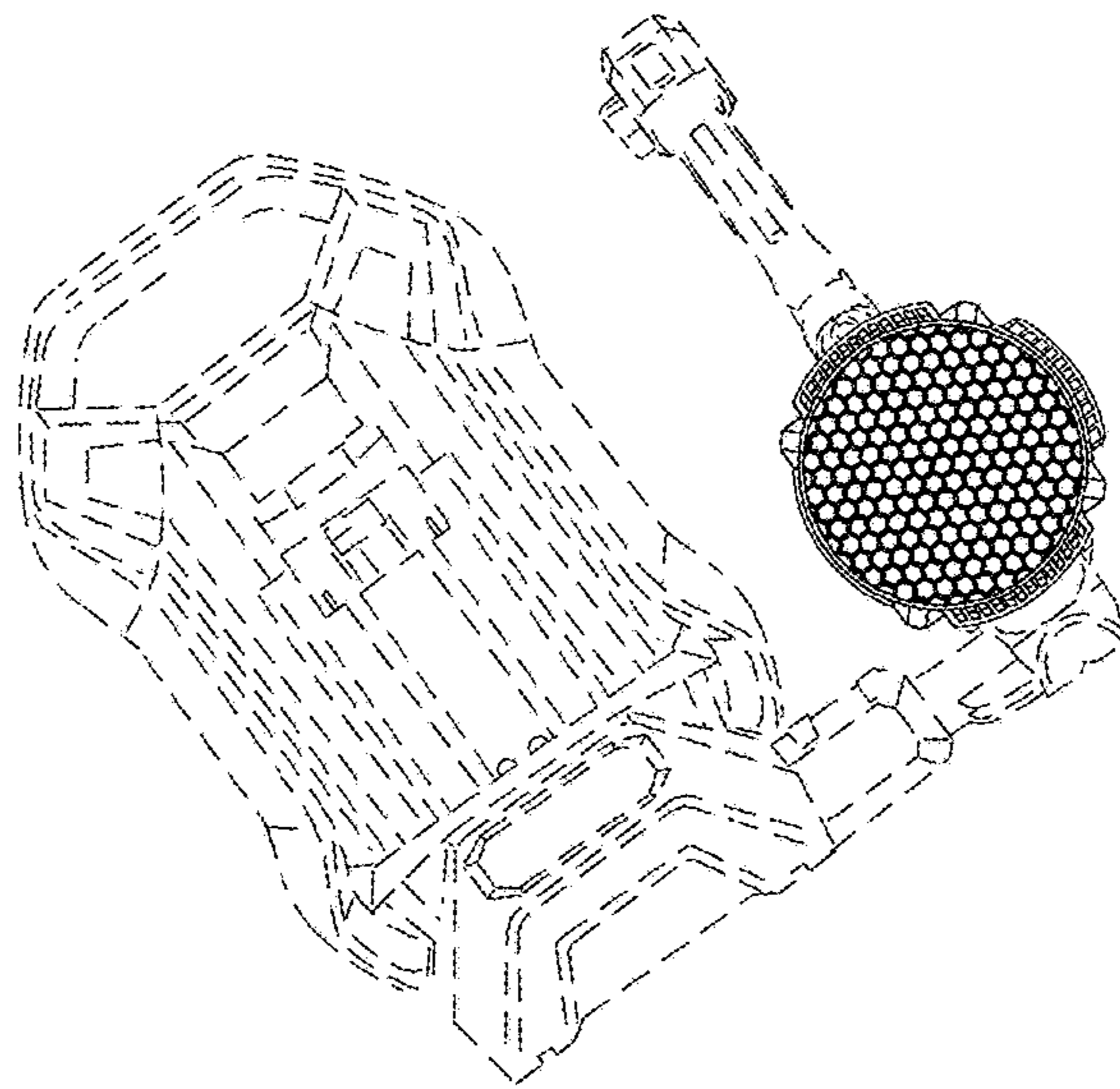


FIG. 2

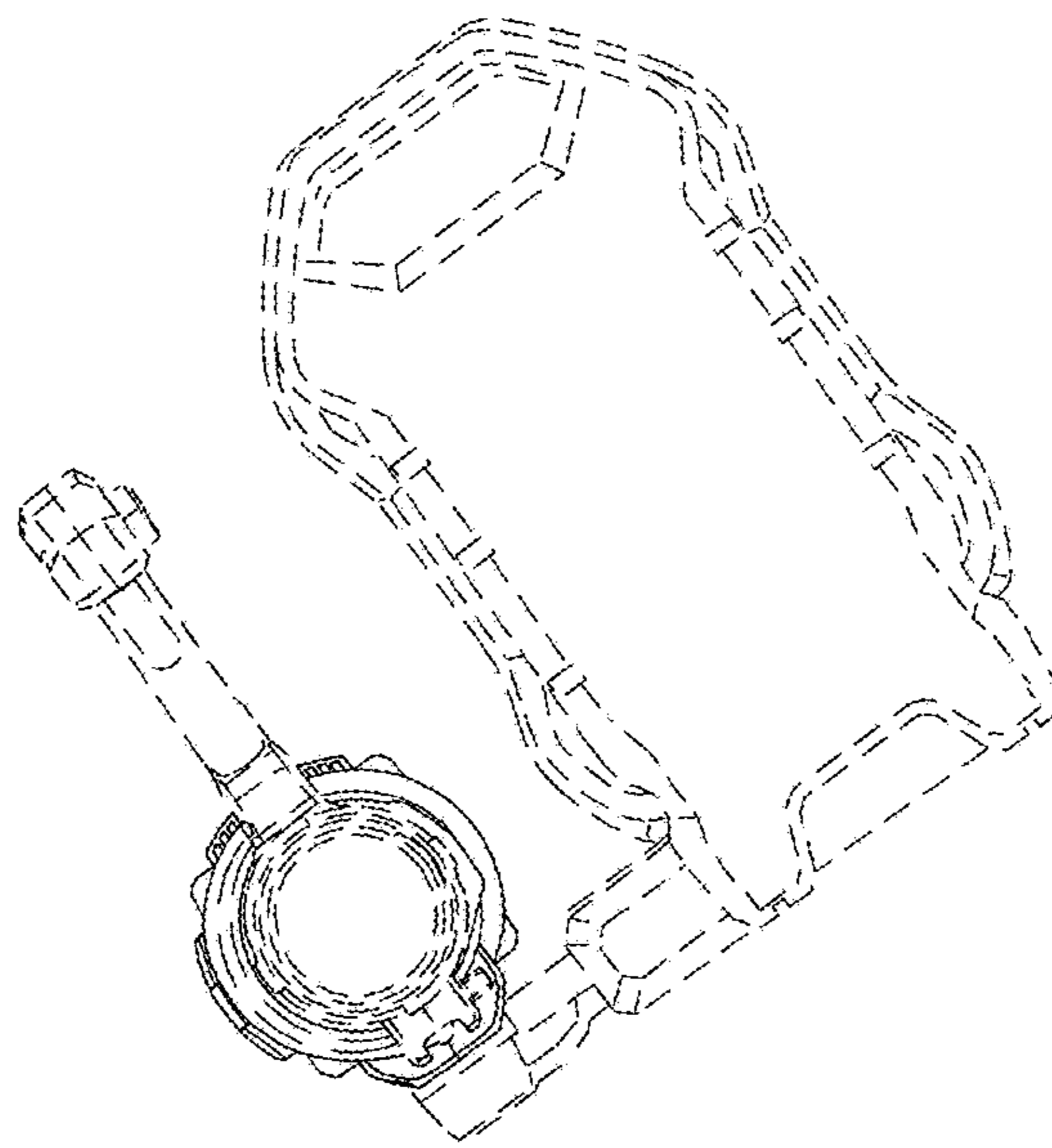


FIG. 3

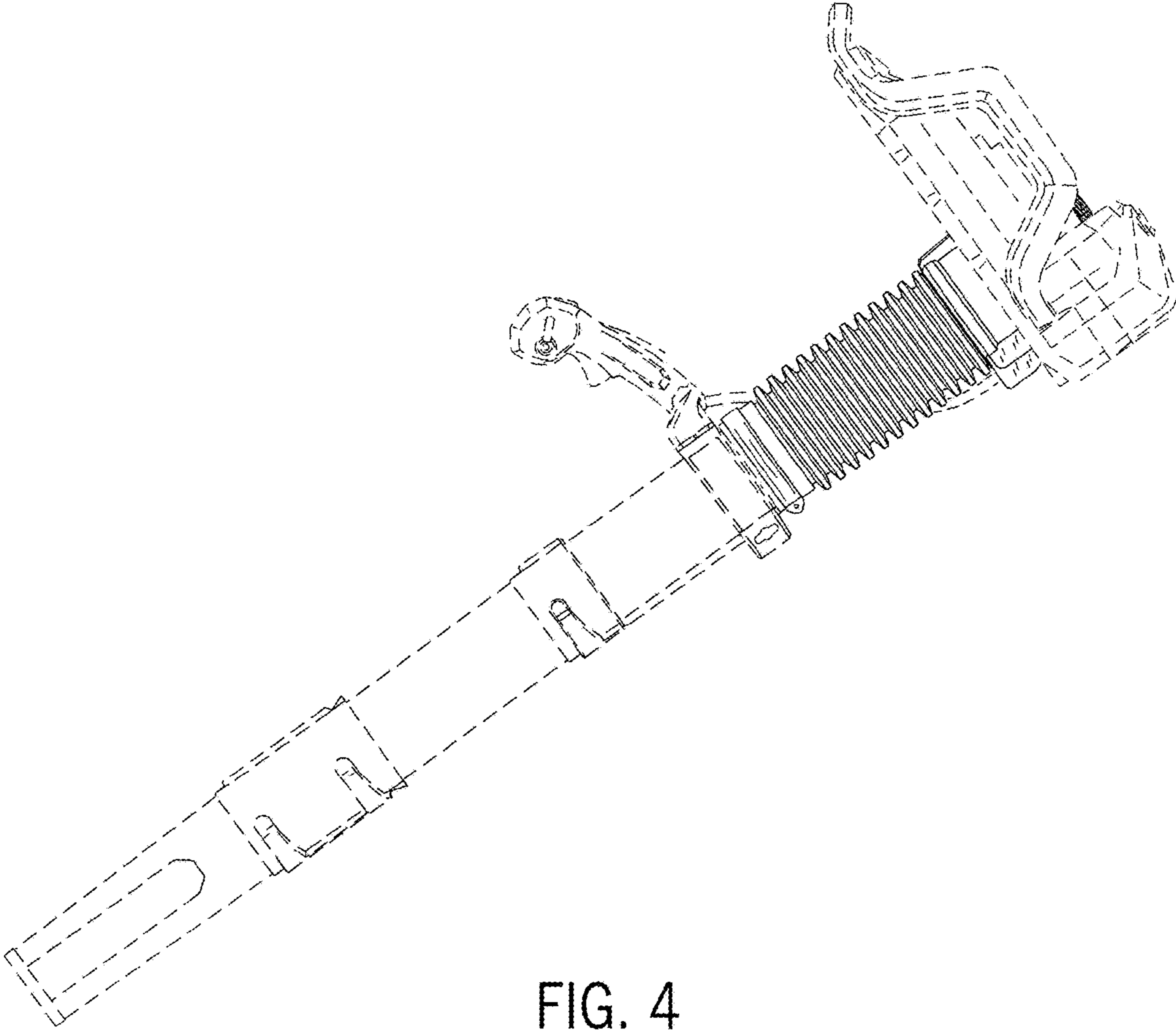


FIG. 4

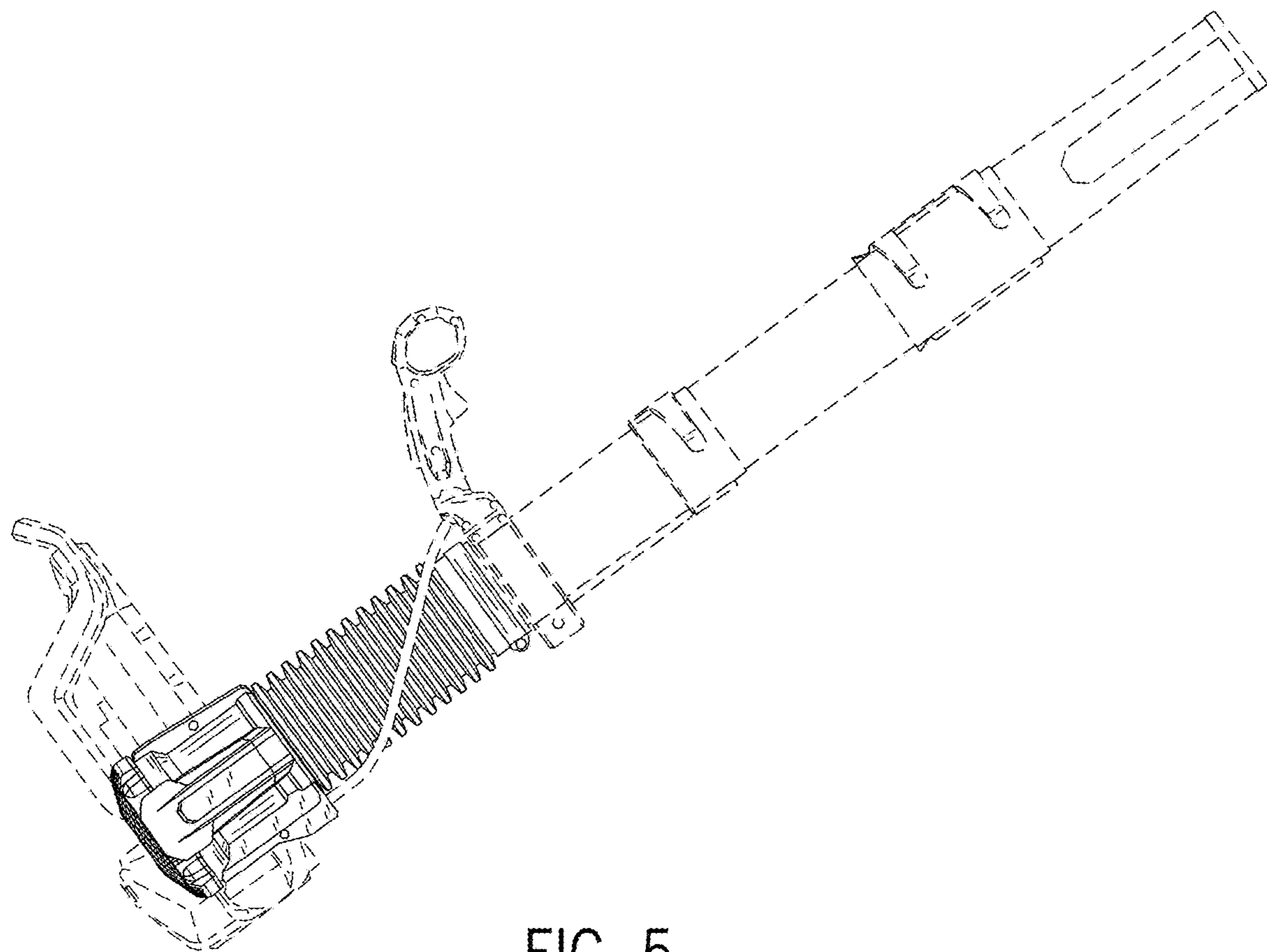


FIG. 5

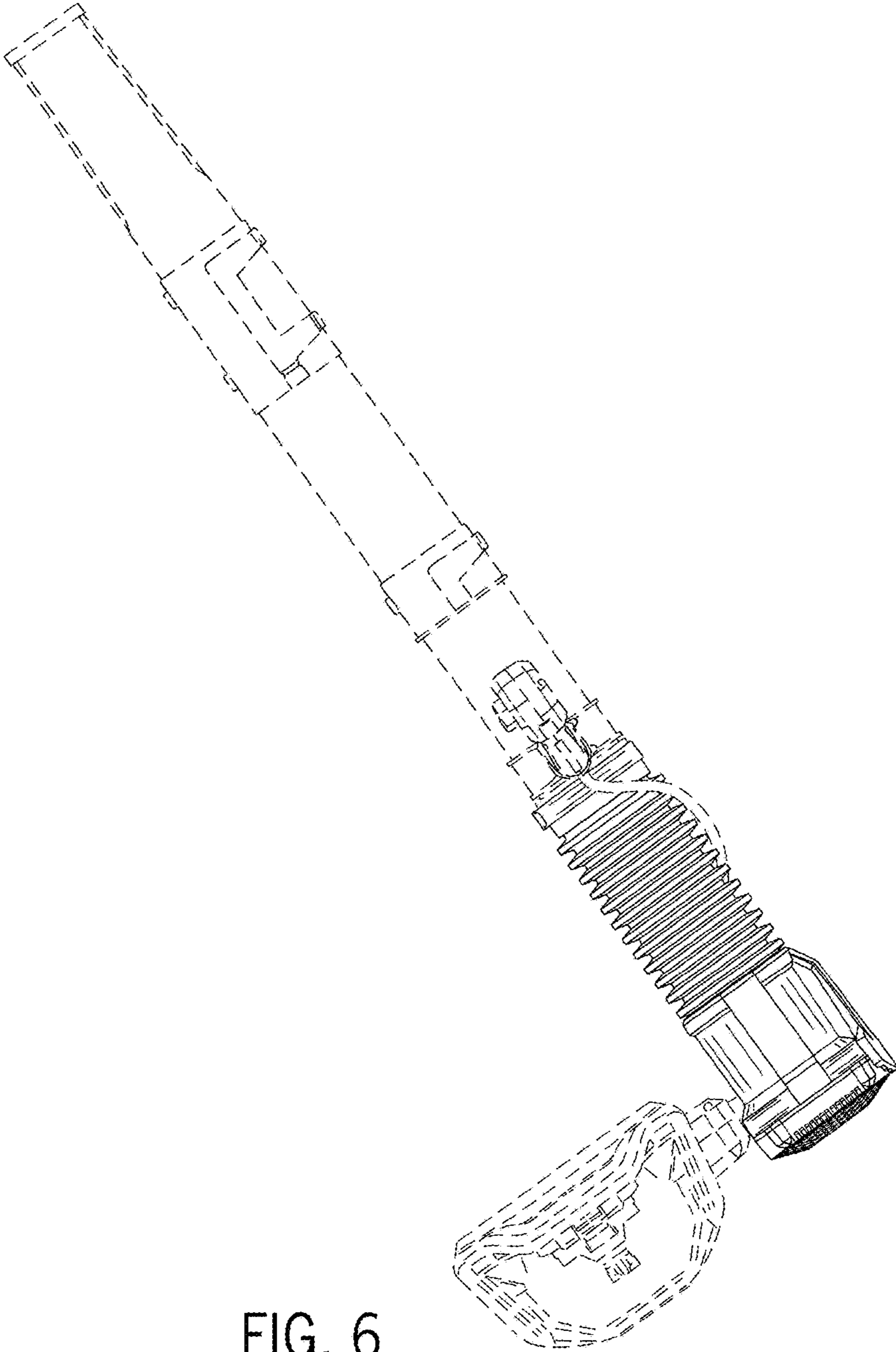


FIG. 6

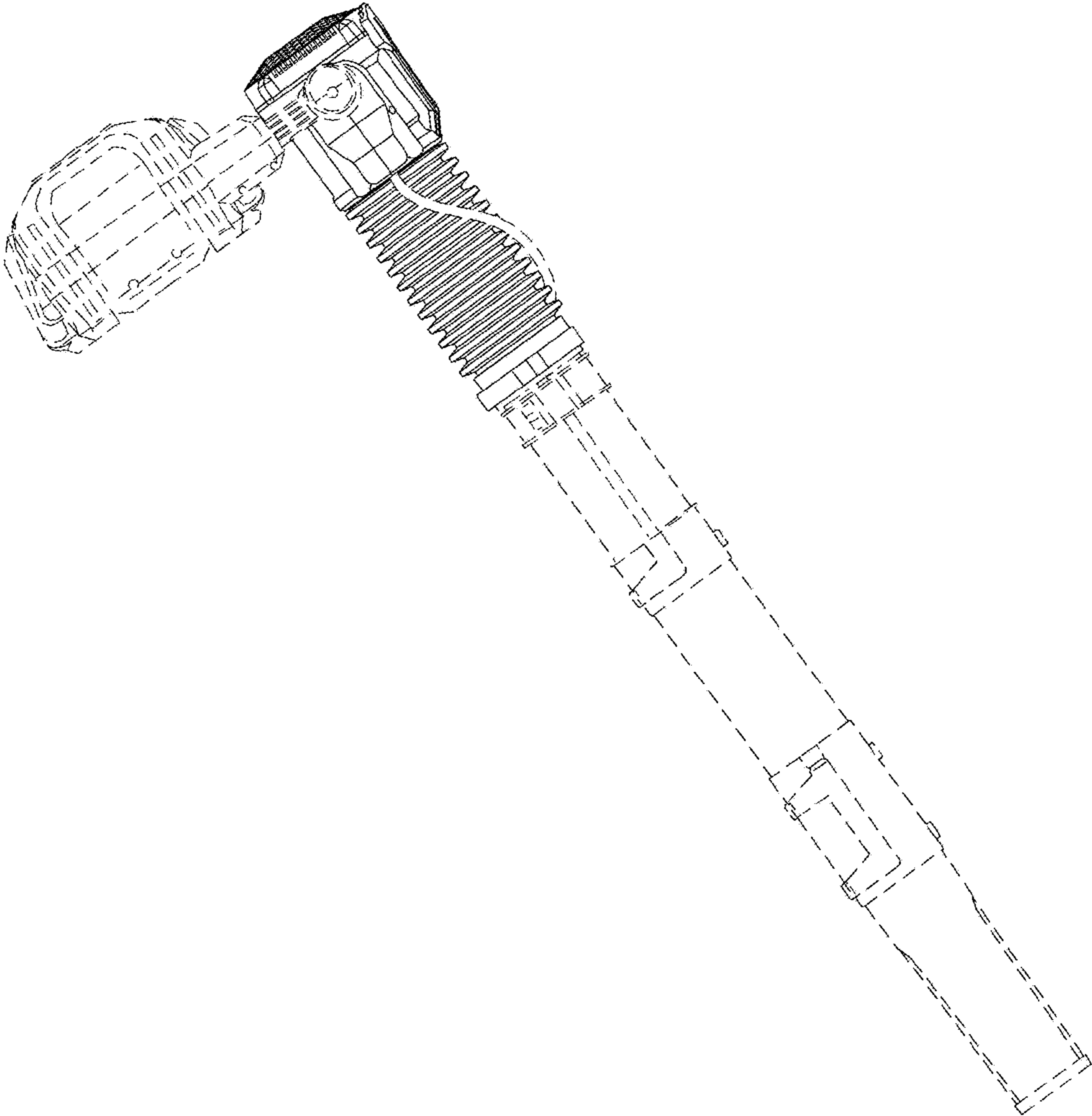


FIG. 7

UNITED STATES PATENT AND TRADEMARK OFFICE
CERTIFICATE OF CORRECTION

PATENT NO. : D838,925 S
APPLICATION NO. : 29/582376
DATED : January 22, 2019
INVENTOR(S) : Xunzhuang Qiu et al.

Page 1 of 1

It is certified that error appears in the above-identified patent and that said Letters Patent is hereby corrected as shown below:

On the Title Page

(73) Assignee: [Chevron] should be "Chervon"

Signed and Sealed this
Eighteenth Day of June, 2024
Katherine Kelly Vidal

Katherine Kelly Vidal
Director of the United States Patent and Trademark Office