



US00D838922S

(12) **United States Design Patent**
Withnall et al.

(10) **Patent No.:** **US D838,922 S**
(45) **Date of Patent:** **** Jan. 22, 2019**

(54) **FOOTBALL HELMET**
(71) Applicant: **Riddell, Inc.**, Rosemont, IL (US)
(72) Inventors: **Chris Withnall**, Nepean (CA); **Michael Wonnacott**, Ottawa (CA); **Vittorio Bologna**, Medinah, IL (US); **Thad M. Ide**, Chicago, IL (US); **Ralph Infusino**, Bloomingdale, IL (US); **Nelson Kraemer**, Mount Prospect, IL (US)

1,203,564 A 11/1916 April
1,262,818 A 4/1918 McGill
1,449,183 A 3/1923 Johnstone
1,522,952 A 1/1925 Goldsmith
1,602,727 A 10/1926 Turner
1,637,692 A 8/1927 Fitzpatrick
1,655,007 A 1/1928 Boettge
1,669,914 A 5/1928 Rogers
1,691,202 A 11/1928 La Van
1,705,879 A 3/1929 Rodgers

(Continued)

(73) Assignee: **Riddell, Inc.**, Des Plaines, IL (US)
(**) Term: **15 Years**
(21) Appl. No.: **29/653,358**
(22) Filed: **Jun. 14, 2018**

FOREIGN PATENT DOCUMENTS

CH 692011 1/2002
DE 3222681 6/1982

(Continued)

Related U.S. Application Data

(63) Continuation of application No. 16/007,635, filed on Jun. 13, 2018, which is a continuation of application No. 15/076,106, filed on Mar. 21, 2016, which is a continuation of application No. 13/068,104, filed on May 2, 2011, now Pat. No. 9,289,024.

(51) **LOC (11) Cl.** **29-02**
(52) **U.S. Cl.**
USPC **D29/122**
(58) **Field of Classification Search**
USPC D29/102-107, 122
CPC A42B 3/221-3/223; A42B 3/18; A42B 3/185; A42B 3/20; A42B 3/00; A42B 3/003; A42B 3/0406; A42B 3/0493; A42B 3/06; A42B 3/228
See application file for complete search history.

OTHER PUBLICATIONS

Defendant Schutt's First Supplemental Responses to Plaintiff Riddell's First Set of Interrogatories.

(Continued)

Primary Examiner — Ruth McInroy

(74) *Attorney, Agent, or Firm* — Barnes & Thornburg LLP

(57) **CLAIM**

We claim the ornamental design for a football helmet, as shown and described.

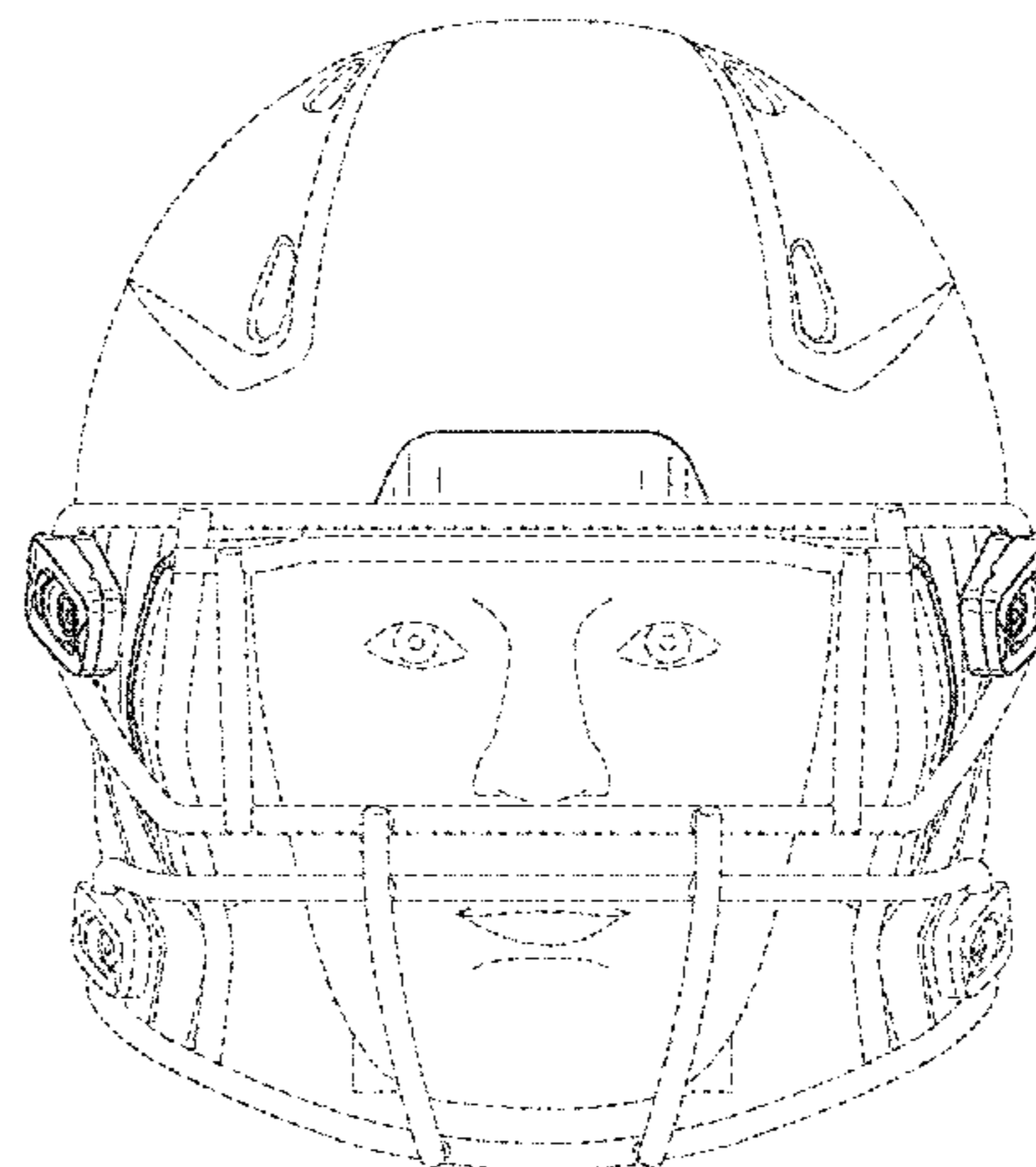
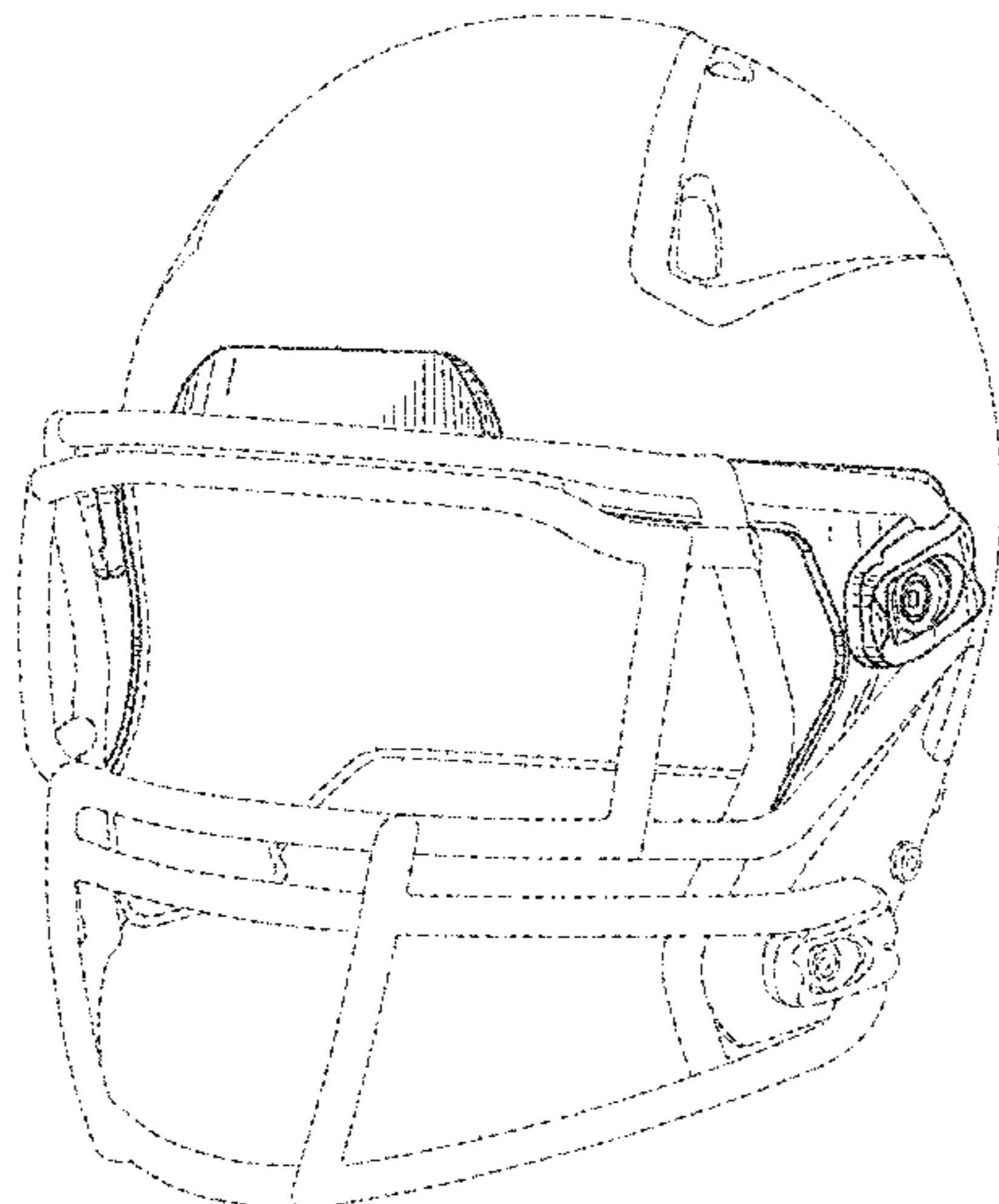
DESCRIPTION

FIG. 1 is a front perspective view of a football helmet showing our new design;
FIG. 2 is a front view thereof;
FIG. 3 is a side view thereof, the opposite side being a mirror image; and,
FIG. 4 is a top view thereof.
The details shown in broken lines form no part of the claimed design.

(56) **References Cited**
U.S. PATENT DOCUMENTS

622,677 A 4/1899 Gallagher
1,060,220 A 4/1913 White
1,080,690 A 12/1913 Hipkiss

1 Claim, 4 Drawing Sheets



(56)

References Cited

U.S. PATENT DOCUMENTS

1,714,275 A	5/1929	Mullins	3,292,180 A	12/1966	Marietta
D80,880 S	4/1930	Dickman	3,296,582 A	1/1967	Ide
D81,055 S	4/1930	Heater	3,315,272 A	4/1967	Olt
1,833,708 A	11/1931	Ford	3,323,134 A	6/1967	Swyers
1,839,657 A	1/1932	Duchek	3,327,313 A	6/1967	Oliver
1,841,232 A	1/1932	Wells	3,364,499 A	1/1968	Kwoka
1,842,953 A	1/1932	Turner	D212,582 S	11/1968	Hill
1,868,926 A	7/1932	Carmine	3,418,657 A	12/1968	Peter
1,892,943 A	1/1933	Geyer	D213,085 S	1/1969	Wyckoff
1,997,187 A	4/1935	Taylor	3,447,162 A	6/1969	Aileo
D100,972 S	8/1936	Pryale	3,462,763 A	8/1969	Gooding
2,081,335 A	5/1937	Levinson	3,478,365 A	11/1969	Varga
2,105,028 A	1/1938	Dickhoff	D216,988 S	3/1970	Je Rue
2,105,607 A	1/1938	McMillan	3,500,472 A	3/1970	Castellani
2,125,854 A	8/1938	Standley	D217,894 S	6/1970	Mikita
2,140,716 A	12/1938	Pryale	3,548,409 A	12/1970	Aileo
2,150,290 A	3/1939	Mulvey	3,548,410 A	12/1970	Parker
2,194,903 A	3/1940	Holstein	3,551,911 A	1/1971	Holden
D123,638 S	11/1940	Perrin	3,566,409 A	3/1971	Hopper
2,250,275 A	7/1941	Riddell	3,568,210 A	3/1971	Marietta
2,250,375 A	7/1941	Hegan	3,577,562 A	5/1971	Holt
2,293,308 A	8/1942	Riddell, Jr.	3,590,388 A	7/1971	Holt
2,296,335 A	9/1942	Brady	3,600,714 A	8/1971	Greathouse
2,354,840 A	8/1944	Seletz	D221,923 S	9/1971	Jones
2,359,387 A	10/1944	Riddell	3,605,113 A	9/1971	Marietta
2,373,083 A	4/1945	Brewster	3,616,463 A	11/1971	Summers
2,451,483 A	10/1948	Goldsmith	3,619,813 A	11/1971	Marchello
2,515,807 A	7/1950	Spooner	3,629,864 A	12/1971	Latina
2,525,389 A	10/1950	Zeller	3,713,640 A	1/1973	Margan
2,570,182 A	10/1951	Daly	3,720,955 A	3/1973	Rawlings
2,634,415 A	4/1953	Havey	3,729,744 A	5/1973	Rappleyea
D171,297 S	1/1954	D'Arbeloff	3,729,746 A	5/1973	Humphrey
2,679,046 A	5/1954	Dye	D228,211 S	8/1973	O'Connor
2,688,747 A	9/1954	Marx	3,751,728 A	8/1973	Thompkins
2,758,304 A	8/1956	McGowan	3,761,959 A	10/1973	Dunning
2,768,380 A	10/1956	Golomb	3,783,450 A	1/1974	Connor
2,777,127 A	1/1957	Marietta	3,787,895 A	1/1974	Belvedere
2,779,228 A	1/1957	Meepos	3,793,241 A	2/1974	Kistner
2,785,404 A	3/1957	Strohm	D230,911 S	3/1974	Ispas
2,785,405 A	3/1957	Snyder	3,815,152 A	6/1974	Bednarczuk
D180,239 S	5/1957	McMurry	3,818,508 A	6/1974	Lammers
2,793,365 A	5/1957	Kleinman	3,820,163 A	6/1974	Rappleyea
2,850,740 A	9/1958	Adams	3,843,970 A	10/1974	Marietta
2,861,272 A	11/1958	Huxtable	3,849,801 A	11/1974	Holt
2,863,151 A	12/1958	Morgan, Jr.	3,854,146 A	12/1974	Dunning
2,867,811 A	1/1959	Jones	3,860,966 A	1/1975	Brown
2,890,457 A	6/1959	Marietta	D234,549 S	3/1975	Bell
2,904,645 A	9/1959	Sarles	3,882,547 A	5/1975	Morgan
2,944,263 A	7/1960	Fischer	3,889,296 A	6/1975	Martin
2,969,546 A	1/1961	Morgan, Jr.	D235,941 S	7/1975	Stock
2,985,883 A	5/1961	Marietta	3,897,597 A	8/1975	Kasper
2,986,739 A	6/1961	Rozzi, Sr.	3,916,446 A	11/1975	Gooding
3,039,108 A	6/1962	Lohrenz	D237,844 S	12/1975	Stock
3,055,013 A	9/1962	Aileo	3,934,271 A	1/1976	Rhee
3,097,559 A	7/1963	Chapman	3,994,020 A	11/1976	Villari
3,106,716 A	10/1963	Beebe	3,994,022 A	11/1976	Villari
3,113,318 A	12/1963	Marietta	3,999,220 A	12/1976	Keltner
3,117,484 A	1/1964	Myers	4,023,209 A	5/1977	Frieder
3,122,752 A	3/1964	Marietta	4,023,213 A	5/1977	Rovani
3,139,624 A	7/1964	Humphrey	4,028,743 A	6/1977	Christensen
3,155,981 A	11/1964	McKissick	4,044,400 A	8/1977	Lewicki
3,166,761 A	1/1965	Strohm	4,060,855 A	12/1977	Rappleyea
3,167,783 A	2/1965	Wolfe	4,075,714 A	2/1978	Ryder
3,174,155 A	3/1965	Pitman	4,086,664 A	5/1978	Humphrey
3,186,004 A	6/1965	Carlini	4,101,983 A	7/1978	Dera
3,187,342 A	6/1965	Aileo	4,136,403 A	1/1979	Walther
3,189,917 A	6/1965	Sims	D254,100 S	2/1980	Breger
3,197,784 A	8/1965	Carlisle	4,204,566 A	5/1980	Kirrish
3,208,080 A	9/1965	Ernest	D255,394 S	6/1980	McNabb
3,216,023 A	11/1965	Morgan	D256,626 S	9/1980	Antonino
3,223,086 A	12/1965	Denton	D257,073 S	9/1980	Jenkins
3,263,236 A	8/1966	Humphrey	4,233,687 A	11/1980	Lancellotti
3,274,612 A	9/1966	Merriam	4,272,853 A	6/1981	Schuessler
3,274,613 A	9/1966	Sowle	4,279,038 A	7/1981	Bruckner
3,283,336 A	11/1966	Critser	4,282,610 A	8/1981	Steigerwald
			4,287,613 A	9/1981	Schulz
			4,307,471 A	12/1981	Lovell
			D265,520 S	7/1982	Gooding
			D266,626 S	10/1982	Gooding

(56)

References Cited

U.S. PATENT DOCUMENTS

D266,627 S	10/1982	Gooding	5,177,816 A	1/1993	Schmidt
4,354,284 A	10/1982	Gooding	5,203,034 A	4/1993	Foehl
D267,287 S	12/1982	Gooding	5,231,703 A	8/1993	Gameau
4,363,140 A	12/1982	Correale	D339,427 S	9/1993	Gentes
4,370,759 A	2/1983	Zide	5,263,203 A	11/1993	Kraemer
4,390,995 A	7/1983	Walck	5,263,204 A	11/1993	Butsch
4,398,306 A	8/1983	Gooding	5,267,353 A	12/1993	Milligan
4,404,690 A	9/1983	Farquharson	5,271,103 A	12/1993	Darnell
D271,249 S	11/1983	Farquharson	5,287,562 A	2/1994	Rush
D271,347 S	11/1983	Bourque	5,291,880 A	3/1994	Almovist
4,434,514 A	3/1984	Sundahl	5,293,649 A *	3/1994	Corpus A42B 3/20 2/424
4,461,044 A	7/1984	Reiterman	D347,300 S	5/1994	Gentes
4,463,456 A	8/1984	Hanson	D348,545 S	7/1994	Egger
4,475,248 A	10/1984	L'Abbe	D348,752 S	7/1994	Ho
4,477,929 A	10/1984	Mattsson	D350,710 S	9/1994	Keiffer
4,566,137 A	1/1986	Gooding	5,347,660 A	9/1994	Zide
D283,268 S	4/1986	Rebiskie	D352,802 S	11/1994	Jeng
4,587,677 A	5/1986	Clement	D352,803 S	11/1994	Sasaki
D285,980 S	10/1986	McNabb	D355,394 S	2/1995	Bezener
4,627,115 A	12/1986	Broersma	D357,554 S	4/1995	Garneau
4,633,531 A	1/1987	Nimmons	D357,555 S	4/1995	Brueckner
4,646,368 A	3/1987	Infusino	D358,003 S	5/1995	Losi, II
4,651,356 A	3/1987	Zide	D358,004 S	5/1995	Losi, II
4,665,569 A	5/1987	Santini	D358,232 S	5/1995	Hoshizaki
4,667,348 A	5/1987	Sundahl	D358,905 S	5/1995	Stinson
4,677,694 A	7/1987	Crow	5,412,814 A	5/1995	Pernicka
4,692,947 A	9/1987	Black	5,418,257 A	5/1995	Weisman
4,706,305 A	11/1987	Cho	D361,407 S	8/1995	Ho
D295,800 S	5/1988	Shelton, Jr.	D361,408 S	8/1995	Ho
D295,902 S	5/1988	Foulkes	D361,409 S	8/1995	Ho
4,741,054 A	5/1988	Mattes	D362,084 S	9/1995	Egger
4,744,107 A	5/1988	Fohl	5,448,780 A	9/1995	Gath
4,766,614 A	8/1988	Cantwell	5,450,631 A	9/1995	Egger
4,766,616 A	8/1988	Donahue	5,452,979 A	9/1995	Cosenza
4,774,729 A	10/1988	Coates	5,461,730 A	10/1995	Carrington
D298,367 S	11/1988	Ball	D364,487 S	11/1995	Tutton
4,794,652 A	1/1989	Piech von Planta	5,483,699 A	1/1996	Pernicka
D299,978 S	2/1989	Chiarella	5,493,736 A	2/1996	Allison
4,808,469 A	2/1989	Hiles	5,494,323 A	2/1996	Huang
4,831,668 A	5/1989	Schulz	5,502,843 A	4/1996	Strickland
4,837,866 A	6/1989	Rector	5,522,091 A	6/1996	Rudolf
4,853,980 A	8/1989	Zarotti	D371,867 S	7/1996	Losi, II
4,866,792 A	9/1989	Arai	D371,868 S	7/1996	Losi, II
D303,851 S	10/1989	Gentes	D371,869 S	7/1996	Chen
4,885,806 A	12/1989	Heller	D372,342 S	7/1996	Chen
4,885,807 A	12/1989	Snow	5,539,936 A	7/1996	Thomas
4,903,346 A	2/1990	Reddemann	5,553,330 A	9/1996	Carveth
4,903,350 A	2/1990	Gentes	D378,236 S	2/1997	Zanotto
4,903,381 A	2/1990	Fohl	D378,624 S	3/1997	Chartrand
4,916,759 A	4/1990	Arai	D380,870 S	7/1997	Szabados
4,926,503 A	5/1990	Wingo, Jr.	D382,671 S	8/1997	Shewchenko
D309,512 S	7/1990	Crow	5,655,227 A	8/1997	Sundberg
4,937,888 A	7/1990	Straus	D383,953 S	9/1997	DeFilippo
4,947,490 A	8/1990	Hayden	5,661,854 A	9/1997	March
5,014,365 A	5/1991	Schulz	5,675,875 A	10/1997	Servatius
5,023,958 A	6/1991	Rotzin	D387,501 S	12/1997	Cheng
5,035,009 A	7/1991	Wingo	D388,551 S	12/1997	Lu
D319,112 S	8/1991	Broersma	D389,280 S	1/1998	Ho
5,044,016 A	9/1991	Coombs	5,724,681 A	3/1998	Sykes
5,061,112 A	10/1991	Monford	5,732,414 A	3/1998	Monica
5,083,321 A	1/1992	Davidsson	5,734,994 A	4/1998	Rogers
5,090,061 A	2/1992	Kamata	5,737,770 A	4/1998	Chen
5,093,937 A	3/1992	Kamata	5,790,988 A	8/1998	Guadagnino
5,093,939 A	3/1992	Noyerie	5,794,274 A	8/1998	Kraemer
5,100,272 A	3/1992	Jadoul	5,799,337 A	9/1998	Brown
5,101,517 A	4/1992	Douglas	5,829,065 A	11/1998	Cahill
5,119,516 A	6/1992	Broersma	5,867,840 A	2/1999	Hirosawa
5,129,108 A	7/1992	Copeland	D406,399 S	3/1999	Hohdorf
5,136,728 A	8/1992	Kamata	5,883,145 A	3/1999	Hurley
5,142,700 A	8/1992	Reed	D408,236 S	4/1999	Rennick
5,165,116 A	11/1992	Simpson	5,913,412 A	6/1999	Huber
D331,645 S	12/1992	Gallet	5,915,537 A	6/1999	Dallas
D332,507 S	1/1993	Anderson	D412,376 S	7/1999	Jurga
5,175,889 A	1/1993	Infusino	D412,766 S	8/1999	Tang
5,177,815 A	1/1993	Andujar	5,930,840 A	8/1999	Arai
			5,938,878 A	8/1999	Hurley
			5,940,890 A	8/1999	Dallas
			5,943,706 A	8/1999	Miyajima

(56)

References Cited

U.S. PATENT DOCUMENTS

9,554,611 B2 1/2017 Arrouart
 D778,504 S * 2/2017 Collette D29/106
 D778,505 S * 2/2017 Daniel D29/106
 9,656,148 B2 * 5/2017 Bologna A42B 3/20
 9,788,593 B2 * 10/2017 Lebel A42B 3/326
 D807,587 S * 1/2018 Lebel D29/122
 2001/0032351 A1 10/2001 Nakayama
 2002/0104533 A1 8/2002 Kalhok
 2002/0174480 A1 11/2002 Lombard
 2003/0188375 A1 10/2003 Wilson
 2003/0209241 A1 11/2003 Fournier
 2004/0025231 A1 2/2004 Ide et al.
 2004/0139531 A1 7/2004 Moore, III
 2004/0181854 A1 9/2004 Primrose
 2005/0114975 A1 6/2005 Ide
 2005/0235403 A1 10/2005 Ide
 2005/0278835 A1 12/2005 Ide
 2006/0031978 A1 2/2006 Pierce
 2006/0038694 A1 2/2006 Naunheim
 2006/0112477 A1 6/2006 Schneider
 2007/0151003 A1 7/2007 Shih
 2007/0157370 A1 7/2007 Joubert Des Ouches
 2007/0163158 A1 7/2007 Bentz
 2007/0192944 A1 8/2007 Ide
 2008/0052808 A1 3/2008 Leick
 2008/0163410 A1 7/2008 Udelhofen
 2008/0250550 A1 10/2008 Bologna et al.
 2009/0178184 A1 7/2009 Brine, III et al.
 2009/0260133 A1 10/2009 Del Rosario
 2009/0265841 A1 10/2009 Ferrara
 2010/0005573 A1 1/2010 Rudd
 2011/0203038 A1 8/2011 Jones, Jr.
 2011/0209272 A1 9/2011 Drake
 2011/0214224 A1 9/2011 Maddux et al.
 2011/0277221 A1 11/2011 Ide
 2012/0011639 A1 1/2012 Beauchamp
 2012/0036619 A1 2/2012 Ytterborn
 2012/0060251 A1 3/2012 Schimpf
 2012/0079646 A1 4/2012 Belanger
 2013/0340146 A1 12/2013 Dekker
 2014/0007327 A1 1/2014 Ide
 2014/0150169 A1 6/2014 Ide
 2015/0135414 A1 5/2015 Ide

FOREIGN PATENT DOCUMENTS

DE 8321097 10/1983
 DE 3338188 5/1985
 DE 3603234 8/1987
 DE 3632525 8/1996
 DE 19745960 10/1997
 EP 512193 11/1992
 FR 1528113 6/1968
 GB 256430 8/1926
 GB 1354719 6/1974
 JP 56-53735 5/1981
 JP 57-205511 12/1982
 JP 6159631 4/1986
 JP 3-22024 3/1991
 JP 05-132809 5/1993
 JP 5-72922 U 10/1993
 JP 199421667 3/1994
 JP 6010204 4/1994
 JP 07-109609 4/1995
 JP 07-126908 5/1995
 JP 11189910 12/1997
 JP 1077521 3/1998
 JP 10-195707 7/1998
 JP 2000265315 9/2000
 JP 2001-020121 1/2001
 JP 20013220 1/2001
 JP 2002161426 6/2002
 JP 59-37323 9/2011
 WO 9534229 12/1995
 WO 1995034229 12/1995

WO 9911152 3/1999
 WO 9956572 11/1999
 WO 0152676 7/2001
 WO D152676 7/2001

OTHER PUBLICATIONS

Face-Off Lacrosse Yearbook 2003, Spring 2003, vol. 10 (3 pages).
 Four Photographs of Riddell, Inc.'s VSR4 football helmet which was commercially available prior to May 1, 2001.
 Newman, James, "A New Biochemical Assessment of Mild Traumatic Brain Injury Part 2—Results and Communications", published prior to (critical date) Sep. 8, 2005 (Abstract only).
 Schutt Photographs (Published Apr. 2001) (Exhibit 1 of Irvin Declaration).
 U.S. Appl. No. 10/151,245, filed May 21, 2002, Lombard.
 Claim Construction Opinion and Order; *Riddell, Inc. v. Schutt Sports, Inc.*; U.S. District Court for the W.D. of Wisconsin; 08-cv-711; dated Jul. 10, 2009.
 Decision, Institution of Inter Partes Review 37 C.F.R. 42.108, Entered Feb. 10, 2017, Case IPR2016-01649, Patent 8,813,269 B2 (33 Pages).
 Declaration of co-inventor Thad M. Ide, dated Oct. 28, 2004, 2 pages, with photographs of seven (7) helmets bearing labels A1-A6, B1-B5, C1-7, D1-D5, E1-E5, F1-F5, G1-G5, 22 pages, (commercially available prior to Apr. 29, 2003) see p. 2 of declaration.
 Declaration of Michael W. Irvin dated Aug. 30, 2012.
 Expert Report of Mr. Rovani filed Dec. 15, 2009, *Riddell, Inc. v. Schutt Sports, Inc.*; U.S. District Court for the W.D. of Wisconsin; 08-cv-711.
 Newman, James A., "A Proposed New Biochemical Head injury Assessment Function—The Maximum Power Index", Stapp Paper No. OOS-80, 44th Stapp Car Crash Conference Proceedings—Copyright 2000 The Staff Association; published prior to (critical date) Sep. 8, 2005 (Abstract only).
 Newman, James, "A New Biochemical Assessment of Mild Traumatic Brain Injury Part 1—Methodology", published prior to (critical date) Sep. 6, 2005 (Abstract only).
 Patent Owner's Preliminary Response, Case No. IPR2016-01649, U.S. Pat. No. 8,813,269 (61 Pages).
 Petition for Inter Partes Review of U.S. Pat. No. 8,813,269 filed Aug. 19, 2016 (90 Pages).
 Plaintiff Riddell's Brief in Support of Proposed Claim Constructions; dated Apr. 29, 2009.
 Plaintiff Riddell's Opinion Brief to Defendant Schutt's Proposed Claim Constructions; dated May 18, 2009.
 Rawlings Fall/Winter Sports Catalog 1926-1927.
 Schutt Sports, 2002 Football Catalog (Exhibit 2 of Irvin Declaration).
 Schutt's Answer and Affirmative Defenses; *Riddell, Inc. v. Schutt Sports, Inc.*; U.S. District Court for the W.D. of Wisconsin; 08-cv-711; dated Feb. 16, 2009.
 Schutt's Response to Riddell's First Set of Interrogatories; including patent invalidity contentions and exhibit with invalidity claim charts; dated Mar. 13, 2009.
 Supplemental Declaration of Michael W. Irvin Under 37 CFR 1.132 and MPEP 2616 Dated Dec. 27, 2012.
 Wilson Trade Price Edition Fall and Winter 1964 Catalog (152 pages).
 Wilson Trade Price Edition 1953 Football Catalog (56 pages).
 Wilson Trade Price Edition 1952-1953 Football Catalog (100 pages).
 Wilson Sporting Goods Company Fall and Winter 1976 Catalog (28 pages).
 Wilson Sporting Goods Company Fall and Winter 1972 Catalog (88 pages).
 Virginia Tech, Adult Football Helmet Detailed Ratings (May 2011).
 Stall & Dean Fall and Winter Catalog 1960-1961 (72 pages).
 Sports Review Football 1954, Rawlings HC20 and TH24 Helmet (2 pages).
 Sears Wish Book for the 1971 Christmas Season Catalog (11 pages).
 Sears Fall and Winter Catalog 1966 (2 pages).
 Sears Fall and Winter Catalog 1963 (2 pages).

(56)

References Cited

OTHER PUBLICATIONS

- Sears Fall and Winter 1968 Catalog T-Bar Helmet (4 pages).
 Sears Catalog, Cyclac Plastic Helmet (2 pages).
 Schutt 2009 Football Quick Guide (12 pages).
 Schutt 2009 Football Catalog (32 pages).
 Schutt 2007 Ion 4D Information Sheet (2 pages).
 Schutt 2005 Fitting Guide (32 pages).
 Schutt 2001 Football Catalog (46 pages).
 Scholastic Coach, MacGregor E700 Helmet, Jan. 1959 (2 pages).
 Robert Smith, Illustrated History of Pro Football (1970), cover illustration.
 Riddell Team Tested Tuff Catalog (31 pages).
 Riddell Institutional Football Catalog (33 pages).
 Riddell Inc., Screenshots of <http://www.riddell.com/history>, captured Feb. 20, 2014.
 Riddell Bio Lite Helmet, 1988 (3 pages).
 Riddell 2010 Speed Fitting Guide (4 pages).
 Riddell 2010 Football Catalog (140 pages).
 Riddell 2009 Football Catalog (132 pages).
 Riddell 2007 Football Catalog (108 pages).
 Riddell 2007 Catalog (192 pages).
 Riddell 2006 Football Catalog (84 pages).
 Riddell 2006 Catalog (160 pages).
 Riddell 2005 Catalog (164 pages).
 Riddell 2004 Football Catalog (88 pages).
 Riddell 2003 Football Catalog (92 pages).
 Riddell 2002 Football Catalog (88 pages).
 Riddell 2001 Football Catalog (94 pages).
 Riddell 2001 Baseball Catalog (79 pages).
 Riddell 2000 Football Catalog (76 pages).
 Riddell 2000 Baseball Catalog (52 pages).
 Riddell 1998-1999 Football Catalog (72 pages).
 Riddell 1998 Football Air Catalog (16 pages).
 Riddell 1997-1998 Football Catalog (55 pages).
 Riddell 1996-1997 Football Catalog (40 pages).
 Riddell 1996-1997 Baseball and Softball Catalog (24 pages).
 Riddell 1995 Factory Direct Savings Catalog (22 pages).
 Riddell 1994 Football Catalog (20 pages).
 Riddell 1993 Product Catalog (12 pages).
 Riddell 1993 Football Catalog (32 pages).
 Riddell 1992 Catalog (40 pages).
 Riddell 1991 Catalog (11 pages).
 Riddell 1990 Football Catalog (32 pages).
 Riddell 1989 Football Catalog (24 pages).
 Riddell 1989 Football Air Catalog (16 pages).
 Riddell 1988 Equipment Catalog (24 pages).
 Riddell 1987 Equipment Catalog (24 pages).
 Riddell 1986 Equipment Catalog (24 pages).
 Riddell 1985 Equipment Catalog (32 pages).
 Riddell 1984 Equipment Catalog (29 pages).
 Riddell 1983 Equipment Catalog (34 pages).
 Riddell 1980 Equipment Catalog (16 pages).
 Riddell 1979 Equipment Catalog (23 pages).
 Riddell 1978 Equipment Catalog (24 pages).
 Riddell 1977 Equipment Catalog (24 pages).
 Riddell 1976 Equipment Catalog (20 pages).
 Riddell 1975 Equipment Catalog (19 pages).
 Riddell 1974 Equipment Catalog (18 pages).
 Riddell 1973 Equipment Catalog (11 pages).
 Riddell 1972 Equipment Catalog (14 pages).
 Riddell 1970 Equipment Catalog (18 pages).
 Riddell 1969 Equipment Catalog (14 pages).
 Riddell 1967 Football Equipment Catalog (16 pages).
 Replacement Comments by Third-party Requester Pursuant to 35 U.S.C 314(b)(2) and 37 cfr 1.947 in Control No. 95/002,117.
 Rawlings Catalog Fall and Winter Retail Sher-wood Adirondack 1975 (28 pages).
 Rawlings Catalog Fall and Winter Institutional 1971 (92 pages).
 Rawlings Catalog Fall and Winter Equipment and Clothing 1981 (68 pages).
 Rawlings Catalog Fall and Winter Athletic Equipment 1964 (76 pages).
 Rawlings Catalog Fall and Winter Athletic Equipment 1963 (72 pages).
 Rawlings Catalog Fall and Winter Athletic Equipment 1959-1960 (84 pages).
 Rawlings Catalog Fall and Winter Athletic Equipment 1957-1958 (82 pages).
 Rawlings Catalog Fall and Winter Athletic Equipment 1955-1956 (83 pages).
 Rawlings Advance Football and Basketball Catalog 1957 (46 pages).
 Rawlings 1955-56 Advance Football and Basketball Catalog (36 pages).
 Photographs of 4 helmets bearing labels B1-B5, C1-C7, D1-D5, G1-G5, 13 pages, commercially available before Apr. 29, 2003.
 Photographs of 3 helmets bearing labels A1-A6, E1-E5, and F1-F5, 9 pages, commercially available before May 1, 2001.
 Midco Fall and Winter, H-400M Helmet, 1975 (8 pages).
 Micky Collins, et al., Examining Concussion Rates and Return to Play in High School Football Players Wearing Newer Helmet Technology, 58 Neurosurgery 275 (2006).
 Medalist Gladiator 1989 Fall and Winter Catalog (20 pages).
 Marvel Comics, Magneto Revolution (2000), cover illustration.
 MacGregor Sports Equipment Fall and Winter 1959 (84 pages).
 Kranos Corp.'s random collection of select catalog images, undated, (76 pages).
 J.A. Dubow Sporting Goods Corp., The Choice of Champions Serving the Sporting Goods Industry for Over 4 Decades 1912-1961 (32 pages).
 Hutch Catalog 1976 (40 pages).
 Great Atlantic C Lacrosse Company, Feb. 2000 (1 page).
 GB Lax Gait Brothers Lacrosse Magazine 2002 (24 pages).
 Declaration of Thad M. Ide Under 37 CFR 1.131 (with Exhibits A-G) in Control No. 95/002,117.
 David Bushing, Sports Equipment Price Guide (1995), pp. 236-238, 240-241, 243-244, 263.
 Bike Football Catalog 2002 (6 pages (includes 3 additional pages)).
 Bike Football Catalog 2002 (3 pages).
 Bike Catalog 1999 (2 pages).
 Athletic Journal Catalog Excerpt, vol. 65, No. 7, Mar. 1985 (2 pages).
 Athletic Journal Catalog Excerpt, vol. 59, No. 6, Feb. 1979 (3 pages).
 Athletic Journal Catalog Excerpt, vol. 57, No. 4, Dec. 1976 (2 pages).
 Athletic Journal Catalog Excerpt, vol. 55, No. 3, Nov. 1974 (2 pages).
 Athletic Journal Catalog Excerpt, vol. 53, No. 8, Apr. 1973 (2 pages).
 Athletic Journal Catalog Excerpt, vol. 51, No. 6, Feb. 1971 (2 pages).
 Athletic Journal Catalog Excerpt, vol. 50; No. 8, Apr. 1970 (2 pages).
 Athletic Journal Catalog Excerpt, vol. 49, No. 8, Apr. 1969 (2 pages).
 Athletic Journal Catalog Excerpt, vol. 48, vol. 10, Jun. 1968 (2 pages).
 Athletic Journal Catalog Excerpt, vol. 46, No. 3, Nov. 1967 (2 pages).
 Athletic Journal Catalog Excerpt, vol. 46, No. 3, Nov. 1965 (2 pages).
 Athletic Journal Catalog Excerpt, vol. 46, No. 10, Jun. 1966 (2 pages).
 Athletic Journal Catalog Excerpt, vol. 45, No. 9, May 1965 (2 pages).
 Athletic Journal Catalog Excerpt, vol. 45, No. 10, Jun. 1965 (3 pages).
 Athletic Journal Catalog Excerpt, vol. 44, No. 9, May 1964 (2 pages).
 Athletic Journal Catalog Excerpt, vol. 44, No. 2, Oct. 1964 (2 pages).
 Athletic Journal Catalog Excerpt, vol. 44, No. 10, Jun. 1964 (2 pages).

(56)

References Cited

OTHER PUBLICATIONS

- Athletic Journal Catalog Excerpt, vol. 43, No. 8, Apr. 1963 (2 pages).
- Athletic Journal Catalog Excerpt, Vol, 43, No. 5, Jan. 1963 (2 pages).
- Athletic Journal Catalog Excerpt, vol. 41, No. 9, May 1961 (2 pages).
- Athletic Journal Catalog Excerpt, vol. 41, No. 10, Jun. 1961 (2 pages).
- Athletic Journal Catalog Excerpt, vol. 40, No, 9, May 1960 (2 pages).
- Athletic Journal Catalog Excerpt, vol. 40, No. 4, Dec. 1959 (2 pages).
- Athletic Journal Catalog Excerpt, vol. 40, No. 10, Jun. 1960 (2 pages).
- Athletic Journal Catalog Excerpt, Vol, 38, No. 6, Feb. 1958 (2 pages).
- Athletic Journal Catalog Excerpt, vol. 38, No. 10, Jun. 1959 (2 pages).
- Athletic Journal Catalog Excerpt, vol. 37, No. 9, May 1957 (2 pages).
- Athletic Journal Catalog Excerpt, vol. 37, No, 7, Mar. 1957 (2 pages).
- Athletic Journal Catalog Excerpt, vol. 37, No. 6, Feb. 1957 (2 pages).
- Athletic Journal Catalog Excerpt, Vol, 37, No. 5, Jan. 1957 (2 pages).
- Athletic Journal Catalog Excerpt, vol. 37, No. 4, Dec. 1956 (2 pages).
- Athletic Journal Catalog Excerpt, vol. 37, No, 2, Oct. 1956 (2 pages).
- Athletic Journal Catalog Excerpt, vol. 36, No. 8, Apr. 1956 (2 pages).
- Athletic Journal Catalog Excerpt, Vol, 36, No. 7, Mar. 1956 (2 pages).
- Athletic Journal Catalog Excerpt, Vol, 36, No. 5, Jan. 1956 (2 pages).
- Athletic Journal Catalog Excerpt, vol. 35, No. 6, Feb. 1955 (2 page).
- Athletic Journal Catalog Excerpt, vol. 35, No, 9, May 1955 (2 pages).
- Athletic Journal Catalog Excerpt, vol. 35, No, 10, Jun. 1956 (2 pages).
- Athletic Journal Catalog Excerpt, vol. 48, No. 5, Jan. 1968 (2 pages).
- Athletic Journal Catalog Excerpt, vol. 36, No. 3, Nov. 1 (2 pages).
- 1997 JOFA Hockey Equipment Catalog (60 pages).
- Virginia Tech, Adult Football Helmet Evaluation Methodology (May 9, 2011).
- The Draper Maynard Co., D&M Sporting Goods Catalog, 1925-1926.
- Steven Rowson & Stefan M. Duma, Development of the Star Evaluation System for Football Helmets, 39 Ann. Of Biomedical Eng. 2130 (Aug. 2011).
- Shoei Catalog 1999 (16 pages).
- Screenshots from 1997 Starship Troopers Movie (12 pages).
- Scholastic Coach, Spalding No. 100, Dec. 1950 (2 pages).
- Scholastic Coach, Spalding Helmet, Mar. 1959 (2 pages).
- Rawlings Catalog Fall and Winter Athletic Equipment 1949-1950 (74 pages).
- Rawlings Catalog Fall and Winter Athletic Equipment 1948-1949 (2 pages).
- King-O'shea Turret Tenite Helmet 1954 (1 page).
- John Field, Patton of the Armored Force, LIFE Magazine, Nov. 30, 1942.
- Easton Bell Sports, Riddell Fact Sheet.
- Declaration of Dr. James Newman under 37 CFR 1.132 in Control No. 95/002,117.
- Declaration of Allison Boersma Under 37 CFR 1.132 in Control No. 95/002,117.
- Athletic Journal Catalog Excerpt, vol. 61, No. 4, Dec. 1980 (2 pages).
- Athletic Journal Catalog Excerpt, vol. 60, No. 8, Apr. 1980 (2 pages).
- Athletic Journal Catalog Excerpt, vol. 57, No. 5, Jan. 1977 (6 pages).
- Athletic Journal Catalog Excerpt, vol. 56, No. 5, Jan. 1976 (6 pages).
- Athletic Journal Catalog Excerpt, vol. 49, No. 10, Jun. 1969 (2 pages).
- Athletic Journal Catalog Excerpt, vol. 47, No. 3, Nov. 1966 (2 pages).
- Athletic Journal Catalog Excerpt, vol. 36, No. 6, Feb. 1956 (2 pages).
- Athletic Journal Catalog Excerpt, vol. 34, No. 7, Mar. 1954 (2 pages).
- Athletic Journal Catalog Excerpt, vol. 34, No. 10, Jun. 1954 (2 pages).
- Athletic Journal Catalog Excerpt, vol. 33, No. 9, May 1953 (2 pages).
- Athletic Journal Catalog Excerpt, vol. 33, No. 8, Apr. 1953 (2 pages).
- Athletic Journal Catalog Excerpt, vol. 32, No. 7, Mar. 1952 (2 pages).
- Athletic Journal Catalog Excerpt, vol. 32, No. 6, Feb. 1952 (2 pages).
- Athletic Journal Catalog Excerpt, vol. 32, No. 2, Oct. 1951 (2 pages).
- Athletic Journal Catalog Excerpt, vol. 32, No. 10, Jun. 1952 (2 pages).
- Athletic Journal Catalog Excerpt, vol. 31, vol. 6, Feb. 1951 (2 pages).
- Athletic Journal Catalog Excerpt, vol. 31, No. 7, Mar. 1951 (2 pages).
- Athletic Journal Catalog Excerpt, vol. 31, No. 4, Dec. 1950 (2 pages).
- Athletic Journal Catalog Excerpt, vol. 31, No. 10, Jun. 1951 (2 pages).
- Athletic Journal Catalog Excerpt, vol. 30, vol. 6, Feb. 1950 (2 pages).
- Athletic Journal Catalog Excerpt, vol. 30, No. 9, May 1950 (2 pages).
- Athletic Journal Catalog Excerpt, vol. 30, No. 7, Mar. 1950 (2 pages).
- Athletic Journal Catalog Excerpt, vol. 30, No. 4, Dec. 1949 (2 pages).
- Athletic Journal Catalog Excerpt, MacGregor E700 Helmet, Jan. 1959 (1 page).
- Schutt Final Invalidity Contentions Cover Document (104 pages).
- Schutt's Final invalidity Contentions Exhibit A '818 Patent (904 pages).
- Schutt's Final Invalidity Contentions Exhibit AB1—Alternate Combos Under 103—Ear Openings (29 pages).
- Schutt's Final Invalidity Contentions Exhibit AB2—Alternate Combos Under 103—Raised Central Band (58 pages).
- Schutt's Final Invalidity Contentions Exhibit AB3—Alternate Combos Under 103—Vent Openings (47 pages).
- Schutt's Final Invalidity Contentions Exhibit AB4—Alternate Combos Under 103—Chin Strap (31 pages).
- Schutt's Final Invalidity Contentions Exhibit AB5—Alternate Combos Under 103—Face Guard (32 pages).
- Schutt's Final Invalidity Contentions Exhibit AB6—Alternate Combos Under 103—Offset Band (11 pages).
- Schutt's Final Invalidity Contentions Exhibit AB7—Alternate Combos Under 103—Inflation (21 pages).
- Schutt's Final Invalidity Contentions Exhibit B '118 Patent (415 pages).
- Xenith's Final Invalidity Contentions—Cover Pleading (31 pages).
- Xenith's Invalidity Contentions C1-C11 818 chart (341 pages).
- Xenith's Invalidity Contentions D1-D11 118 chart (457 pages).
- Claim Construction Order, Case 1:16-cv-04496 (39 pages).

(56)

References Cited

OTHER PUBLICATIONS

Final Written Decision, 35 U.S.C. § 318(a) and 37 C.F.R. § 42.73, *Kranos Corporation v. Riddell, Inc.*, Entered Feb. 21, 2018, Case No. IPR2016-01650, U.S. Pat. No. 8,938,818 B2 (47 pages).

Final Written Decision, 35 U.S.C. § 318(a) and 37 C.F.R. § 42.73, *Kranos Corporation v. Riddell, Inc.*, Entered Feb. 5, 2018, Case No. IPR2016-01646, U.S. Pat. No. 8,528,118 C1 (84 pages).

Kranos Corp. d/b/a Schutt Sports' Expert Report of Dr. Posner (including Exhibits C-R); *Riddell Inc. v. Kranos Corp.*, N.D. IL, case 1:16-cv-04496 (686 pages).

Riddell Inc.'s Responsive Expert Report of Mr. Shewchenko; *Riddell Inc. v. Kranos Corp.*, N.D. IL, case 1:16-cv-04496 (142 pages).

* cited by examiner

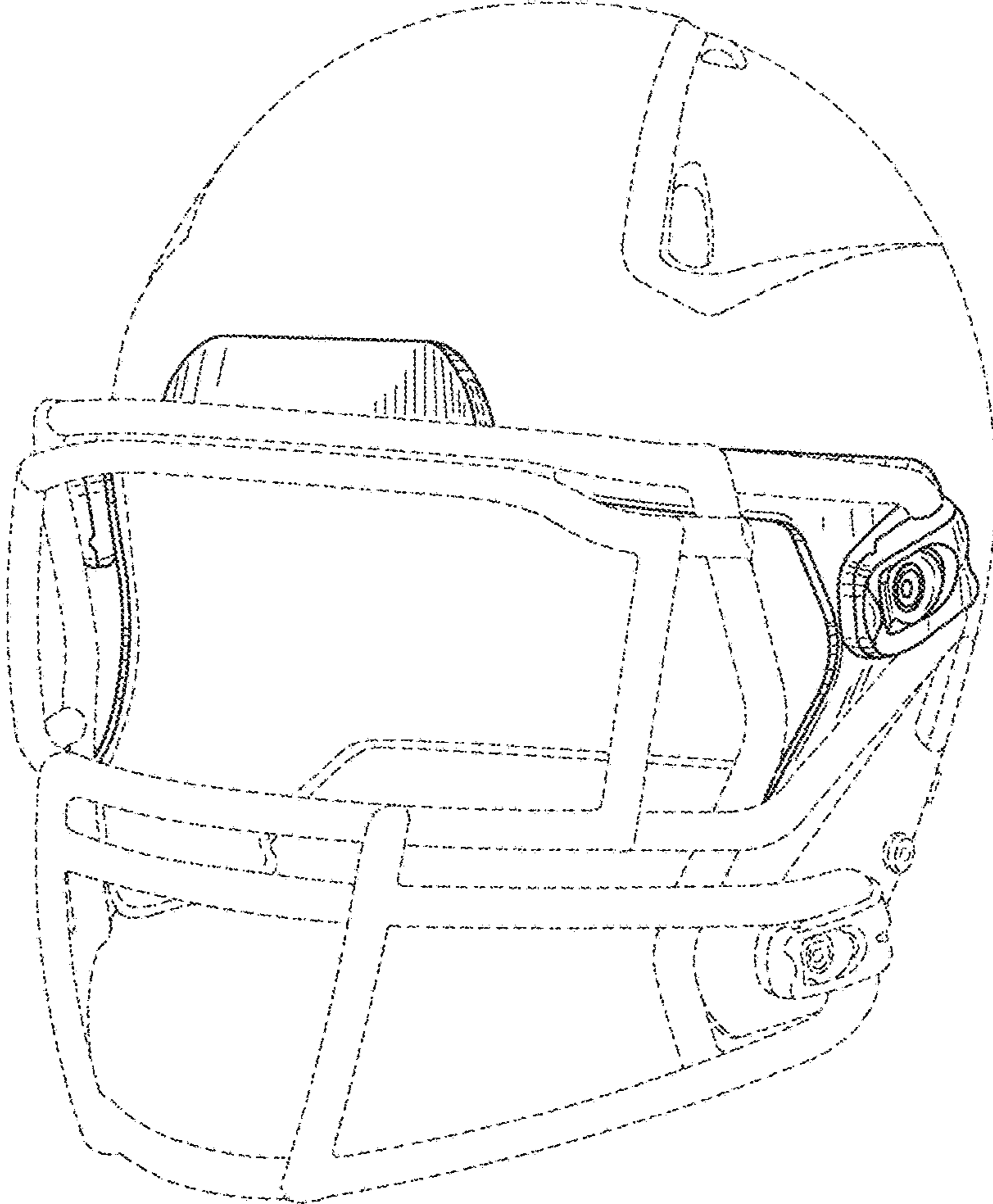


FIG. 1

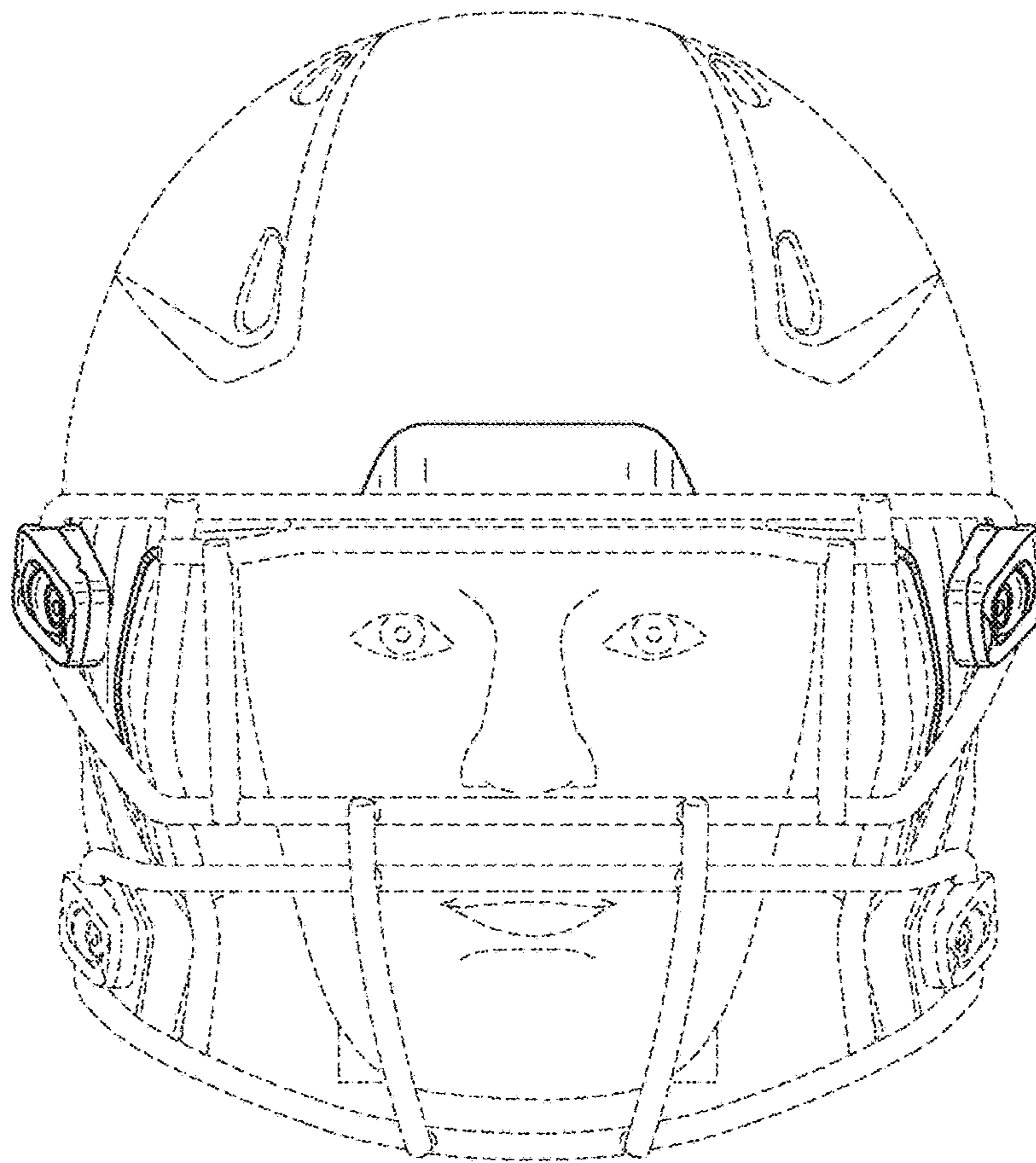
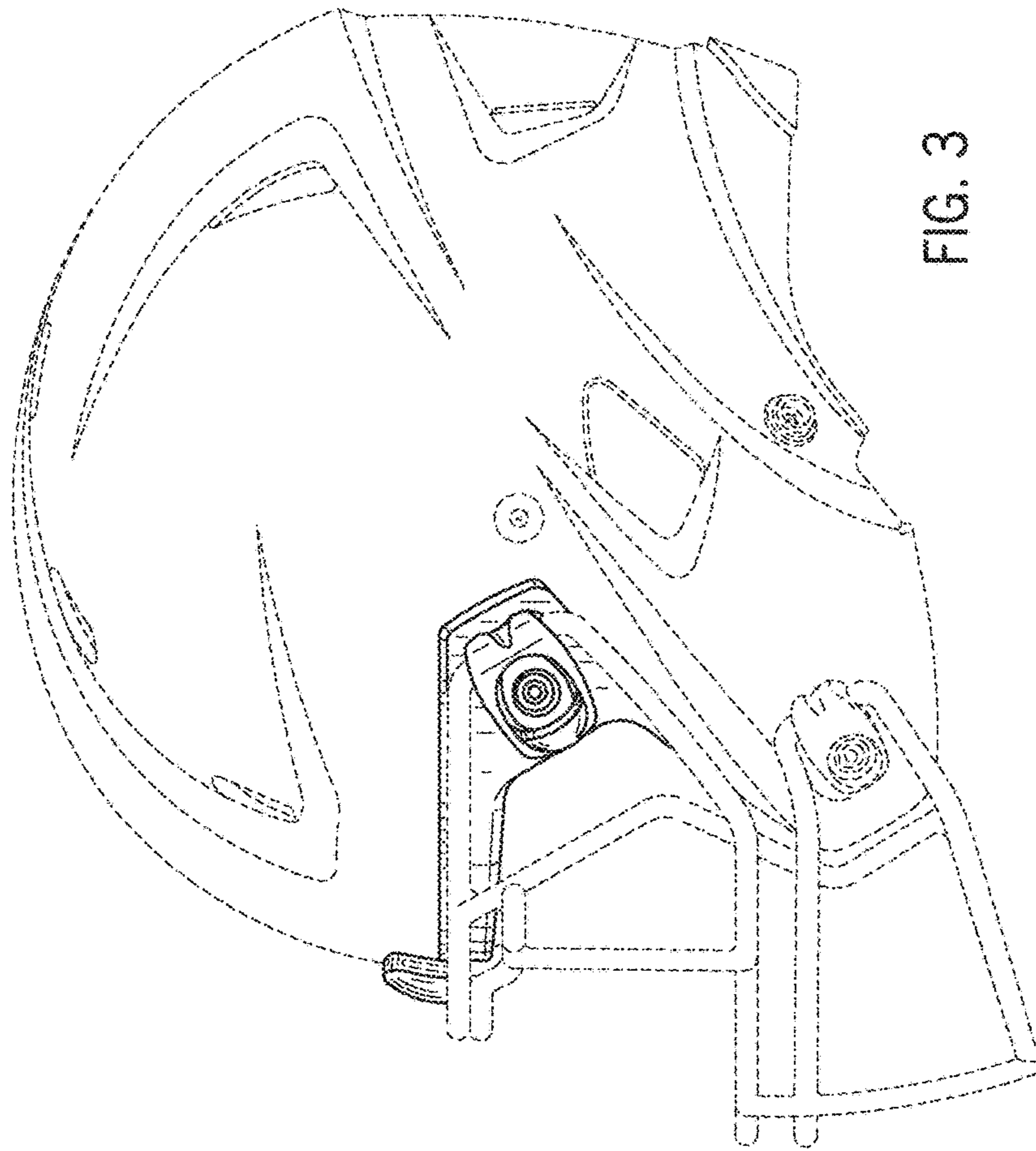


FIG. 2



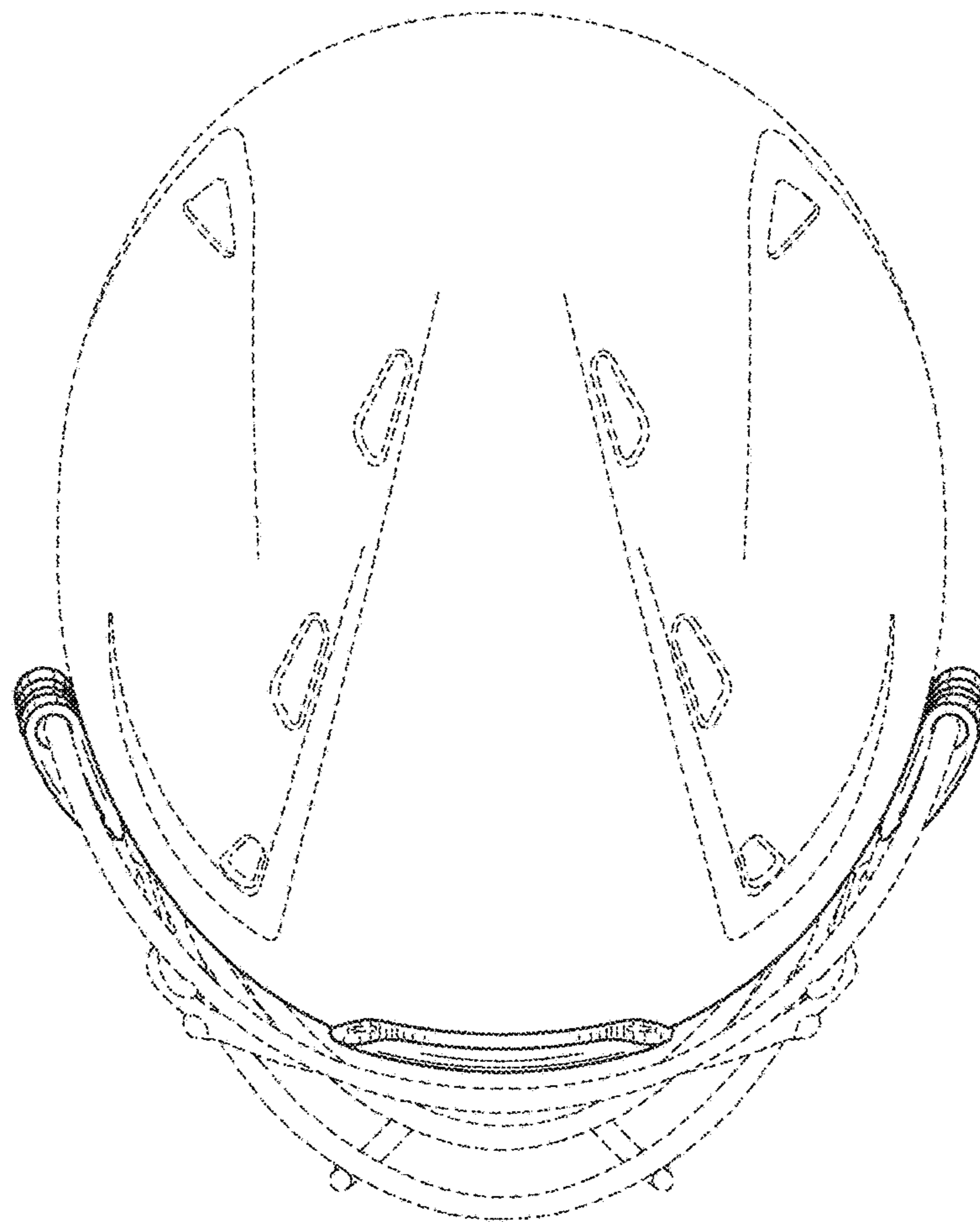


FIG. 4

UNITED STATES PATENT AND TRADEMARK OFFICE
CERTIFICATE OF CORRECTION

PATENT NO. : D838,922 S
APPLICATION NO. : 29/653358
DATED : January 22, 2019
INVENTOR(S) : Withnall et al.

Page 1 of 6

It is certified that error appears in the above-identified patent and that said Letters Patent is hereby corrected as shown below:

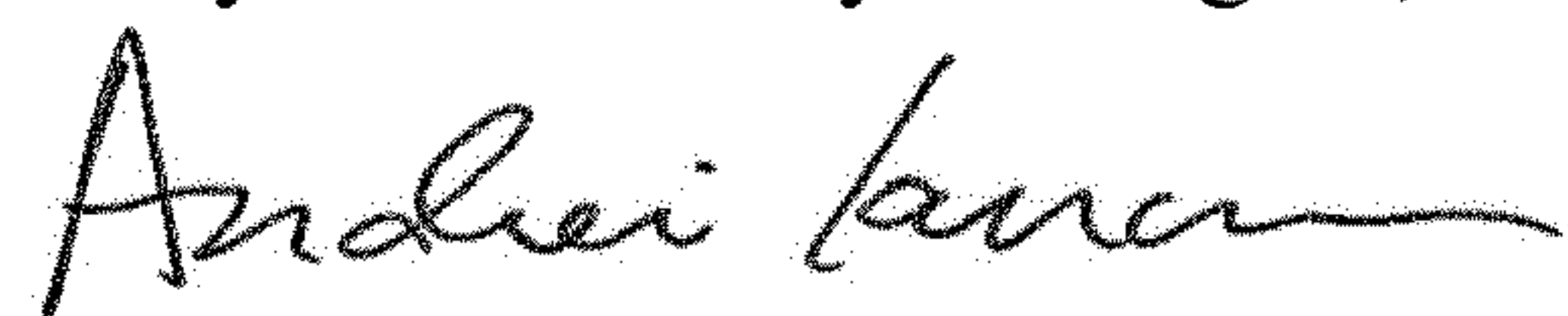
On the Title Page

Delete the title page and substitute therefore with the attached title page consisting of the corrected illustrative figure(s).

In the Drawings

Please replace FIGS. 1-4 with FIGS. 1-4 as shown on the attached pages.

Signed and Sealed this
Twenty-seventh Day of August, 2019



Andrei Iancu
Director of the United States Patent and Trademark Office

(12) **United States Design Patent** (10) Patent No.: **US D838,922 S**
 Withnall et al. (45) Date of Patent: **** Jan. 22, 2019**

(54) **FOOTBALL HELMET**
 (71) Applicant: **Riddell, Inc.**, Rosemont, IL (US)
 (72) Inventors: **Chris Withnall**, Nepean (CA); **Michael Wonnacott**, Ottawa (CA); **Vittorio Bologna**, Medinah, IL (US); **Thad M. Ide**, Chicago, IL (US); **Ralph Infusino**, Bloomington, IL (US); **Nelson Kraemer**, Mount Prospect, IL (US)
 (73) Assignee: **Riddell, Inc.**, Des Plaines, IL (US)
 (**) Term: **15 Years**
 (21) Appl. No.: **29/653,358**
 (22) Filed: **Jun. 14, 2018**

1,203,564 A	11/1916	April
1,262,818 A	4/1918	McGill
1,449,183 A	3/1923	Johnstone
1,522,952 A	1/1925	Goldsmith
1,602,727 A	10/1926	Turner
1,637,692 A	8/1927	Fitzpatrick
1,655,007 A	1/1928	Boettge
1,669,914 A	5/1928	Rogers
1,691,202 A	11/1928	La Van
1,705,879 A	3/1929	Rodgers

(Continued)

FOREIGN PATENT DOCUMENTS

CH	692011	1/2002
DE	3222681	6/1982

(Continued)

OTHER PUBLICATIONS

Defendant Schutt's First Supplemental Responses to Plaintiff Riddell's First Set of Interrogatories.
 (Continued)

Primary Examiner — Ruth McInroy
 (74) *Attorney, Agent, or Firm* — Barnes & Thornburg LLP

(57) **CLAIM**

We claim the ornamental design for a football helmet, as shown and described.

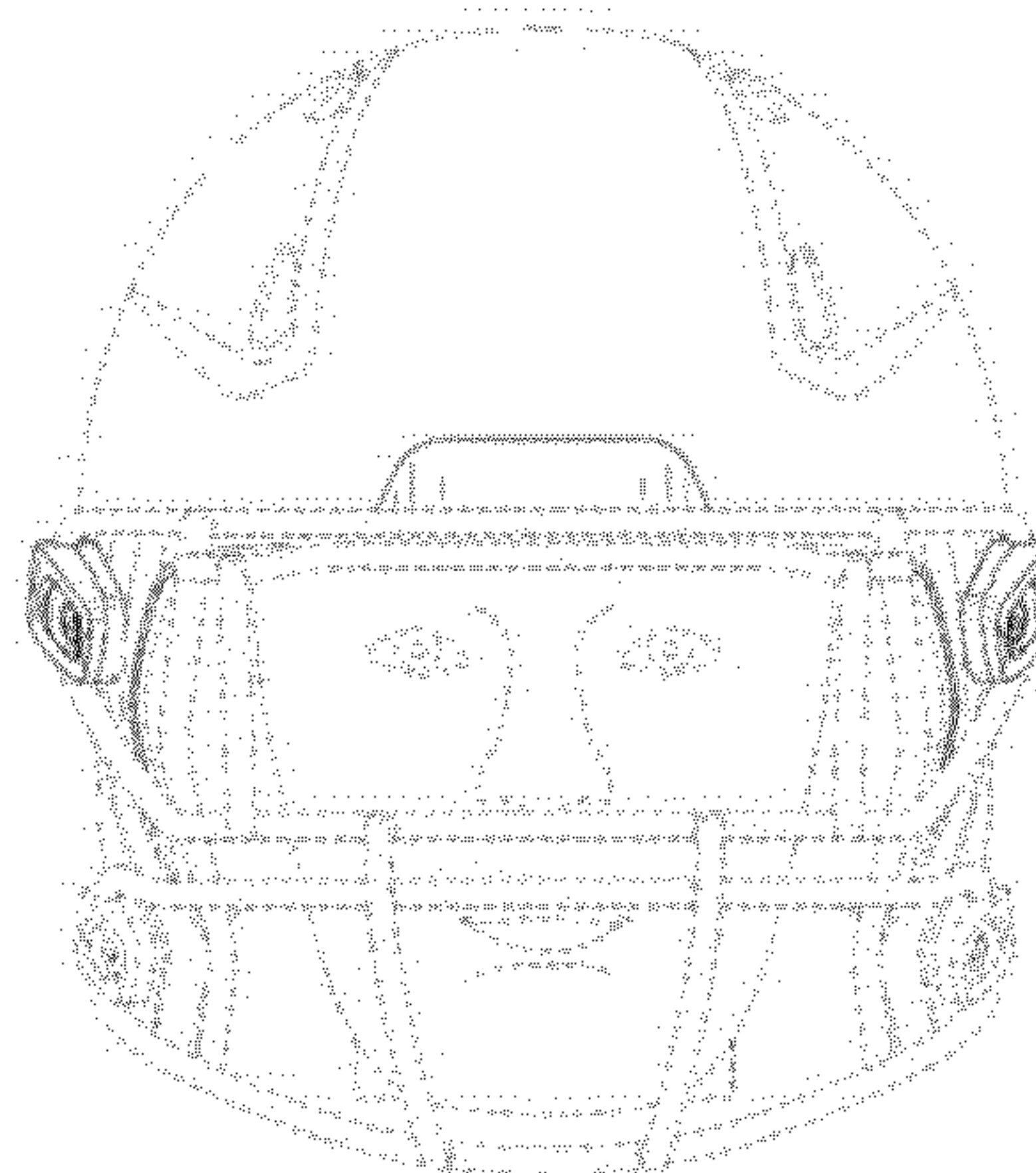
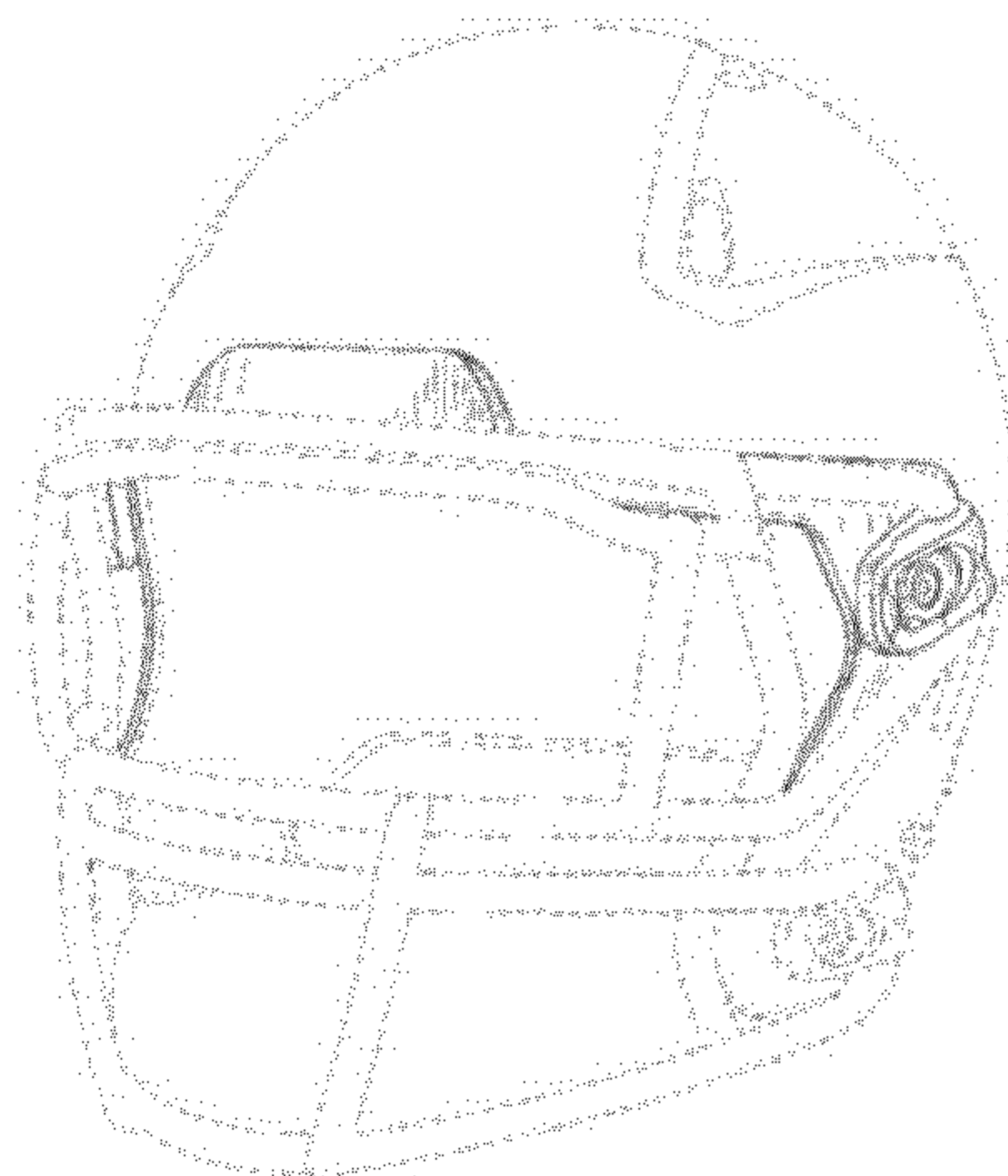
DESCRIPTION

FIG. 1 is a front perspective view of a football helmet showing our new design;
 FIG. 2 is a front view thereof;
 FIG. 3 is a side view thereof, the opposite side being a mirror image; and,
 FIG. 4 is a top view thereof.
 The details shown in broken lines form no part of the claimed design.

1 Claim, 4 Drawing Sheets

Related U.S. Application Data
 (63) Continuation of application No. 16/007,635, filed on Jun. 13, 2018, which is a continuation of application No. 15/076,106, filed on Mar. 21, 2016, which is a continuation of application No. 13/068,104, filed on May 2, 2011, now Pat. No. 9,289,024.
 (51) **LOC (11) CL** **29-02**
 (52) **U.S. CL**
 USPC **D29/122**
 (58) **Field of Classification Search**
 USPC D29/102-107, 122
 CPC A42B 3/221-3/223; A42B 3/18; A42B 3/185; A42B 3/20; A42B 3/00; A42B 3/003; A42B 3/0406; A42B 3/0493; A42B 3/06; A42B 3/228
 See application file for complete search history.

(56) **References Cited**
U.S. PATENT DOCUMENTS
 622,677 A 4/1899 Gallagher
 1,060,220 A 4/1913 White
 1,080,690 A 12/1913 Hipkiss



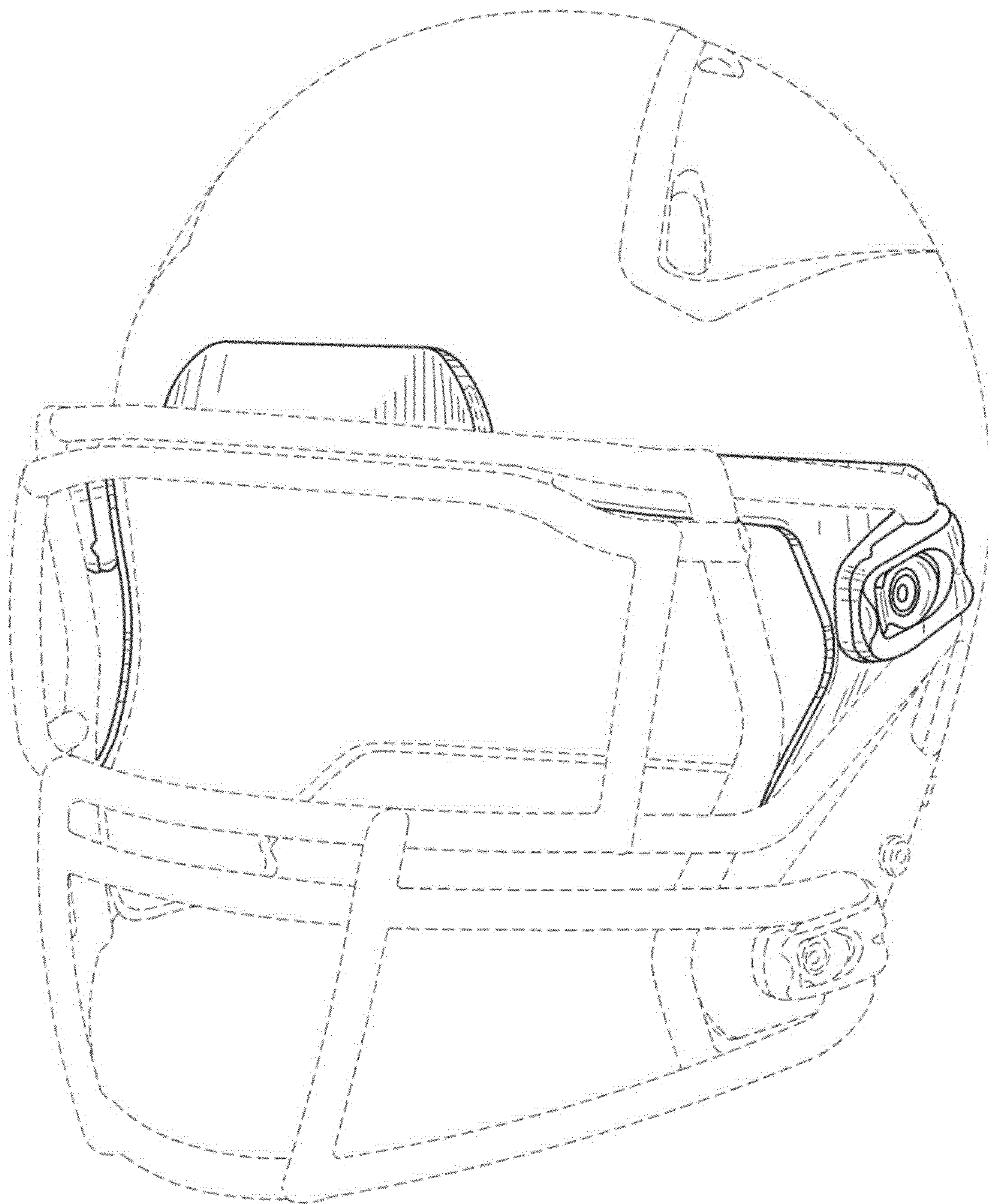


FIG. 1

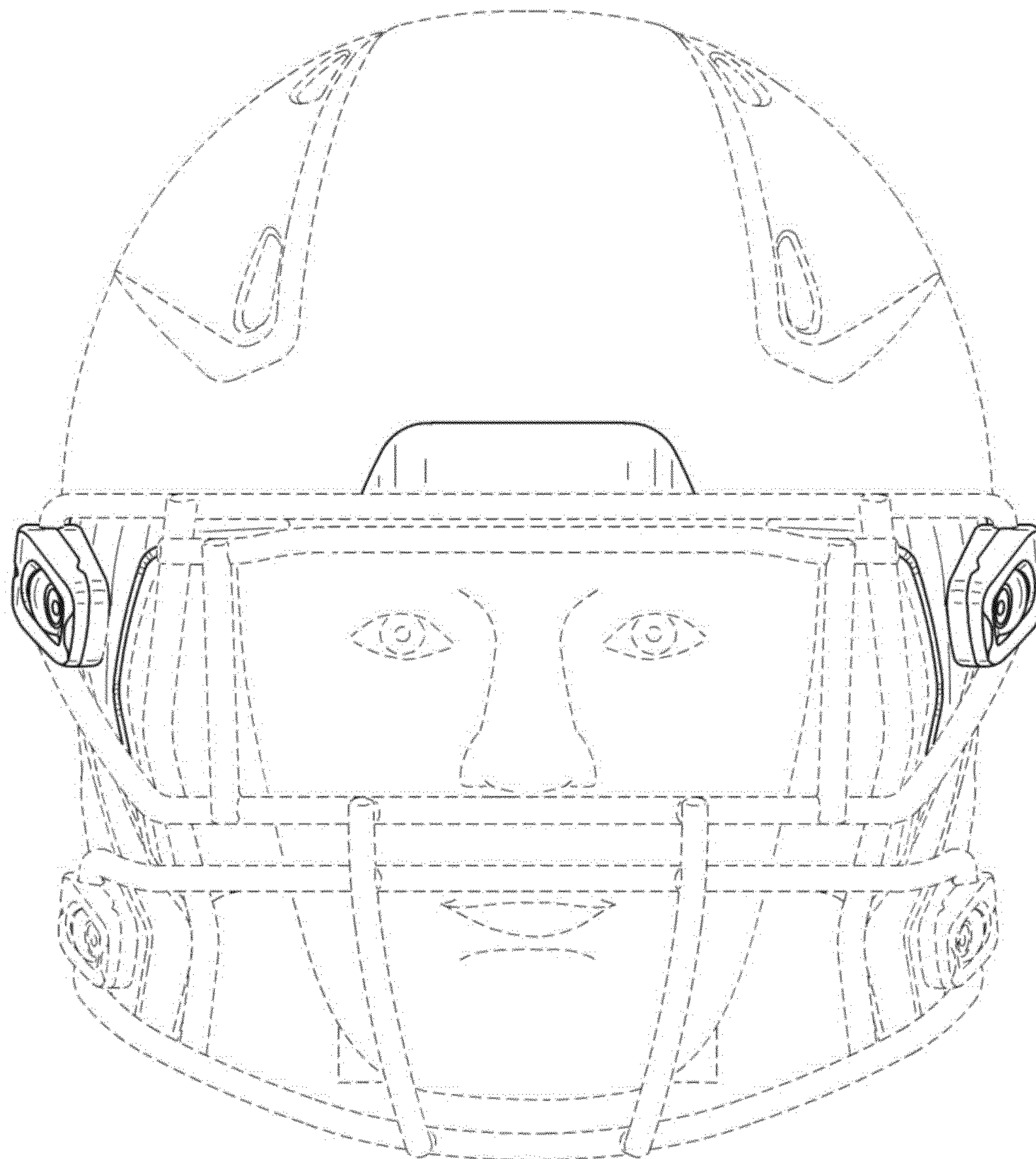


FIG. 2

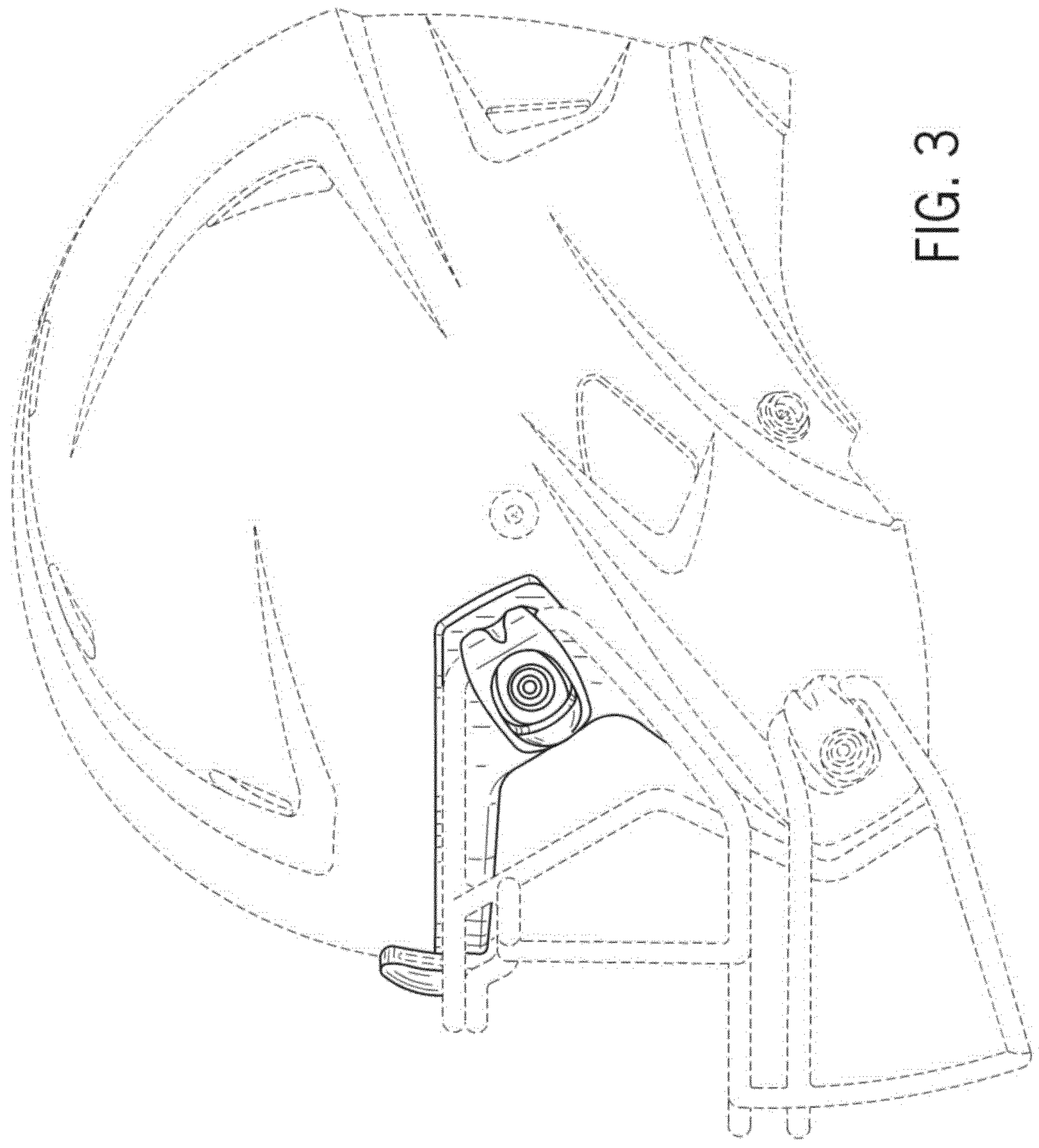


FIG. 3

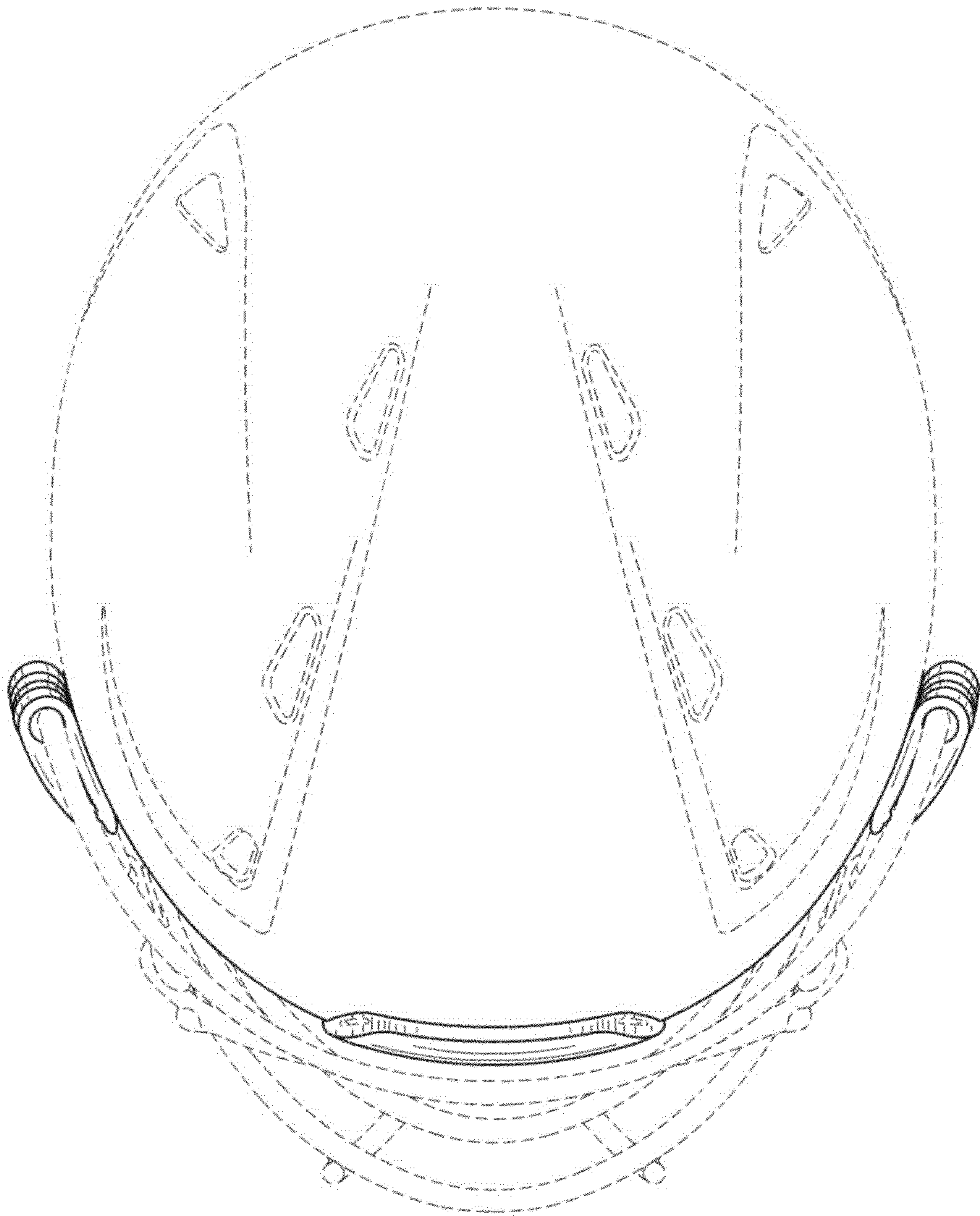


FIG. 4