



US00D838916S

(12) **United States Design Patent** (10) **Patent No.:** **US D838,916 S**  
**Piombino et al.** (45) **Date of Patent:** **\*\* Jan. 22, 2019**

(54) **PAD-LOCK BUCKLE FOR A SHOULDER PAD**

(71) Applicant: **BSN SPORTS, LLC**, Farmers Branch, TX (US)

(72) Inventors: **Don Piombino**, Farmers Branch, TX (US); **Bastien Jourde**, Montréal (CA)

(73) Assignee: **BSN Sports, LLC**, Farmers Branch, TX (US)

(\*\*) Term: **15 Years**

(21) Appl. No.: **29/622,265**

(22) Filed: **Oct. 16, 2017**

**Related U.S. Application Data**

(62) Division of application No. 29/561,478, filed on Apr. 15, 2016, now Pat. No. Des. 804,728.

(51) **LOC (11) Cl.** ..... **29-02**

(52) **U.S. Cl.**  
USPC ..... **D29/101.3**

(58) **Field of Classification Search**  
USPC ..... D29/10, 11, 99, 100, 101.2, 101.3; 2/2, 2/2.5, 27, 44, 45, 69, 92, 102, 108, 268, 2/326, 410, 411, 412, 413, 414, 455, 456, 2/461, 462, 463, 464, 465, 468, 94; 428/113, 911; 89/36.01, 36.02, 36.05; D24/64; 280/290, 808; 350/97, 98  
CPC ..... A41D 1/00  
See application file for complete search history.

(56) **References Cited**

U.S. PATENT DOCUMENTS

4,320,537 A	3/1982	Mitchell	
D286,946 S	12/1986	Parks et al.	
4,989,265 A	2/1991	Nipper et al.	
5,054,121 A	10/1991	Mitchell	
5,530,966 A	7/1996	West	
5,987,654 A	11/1999	Chartrand	
8,015,621 B2	9/2011	Udelhofen	
D694,956 S *	12/2013	Jourde	..... D29/101.3

\* cited by examiner

*Primary Examiner* — Randall H Gholson

(74) *Attorney, Agent, or Firm* — Finnegan, Henderson, Farabow, Garrett & Dunner LLP

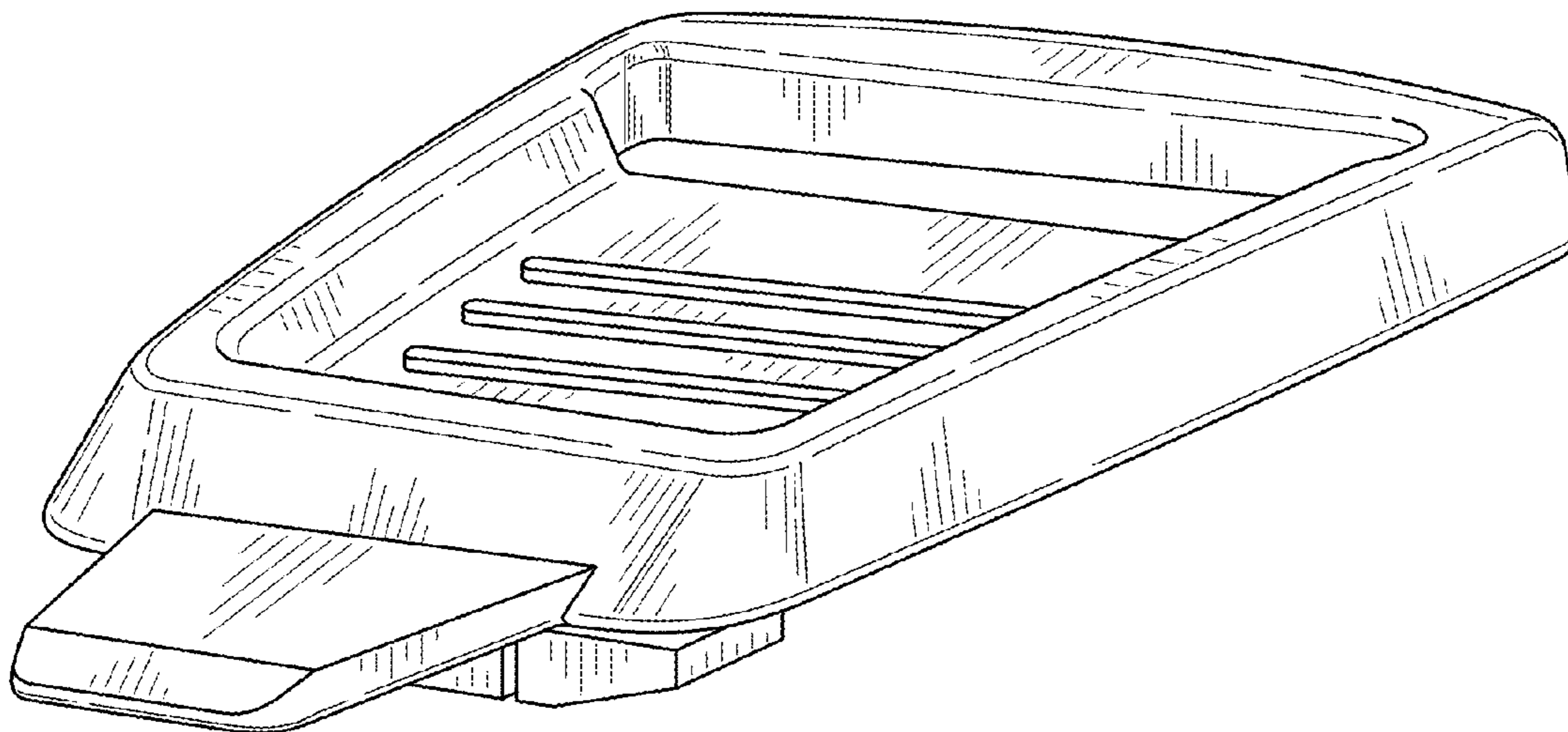
(57) **CLAIM**

The ornamental design for a pad-lock buckle for a shoulder pad, as shown and described.

**DESCRIPTION**

FIG. 1 is a top isometric view of a pad-lock buckle for a shoulder pad, showing our new design;  
FIG. 2 is a right side elevational view thereof;  
FIG. 3 is a left side elevational view thereof;  
FIG. 4 is a rear elevational view thereof;  
FIG. 5 is a front elevational view thereof;  
FIG. 6 is a top plan view thereof;  
FIG. 7 is a bottom plan view thereof; and,  
FIG. 8 is a partial isometric view thereof, showing the pad-lock buckle for a shoulder pad in use in a shoulder pad.

**1 Claim, 4 Drawing Sheets**



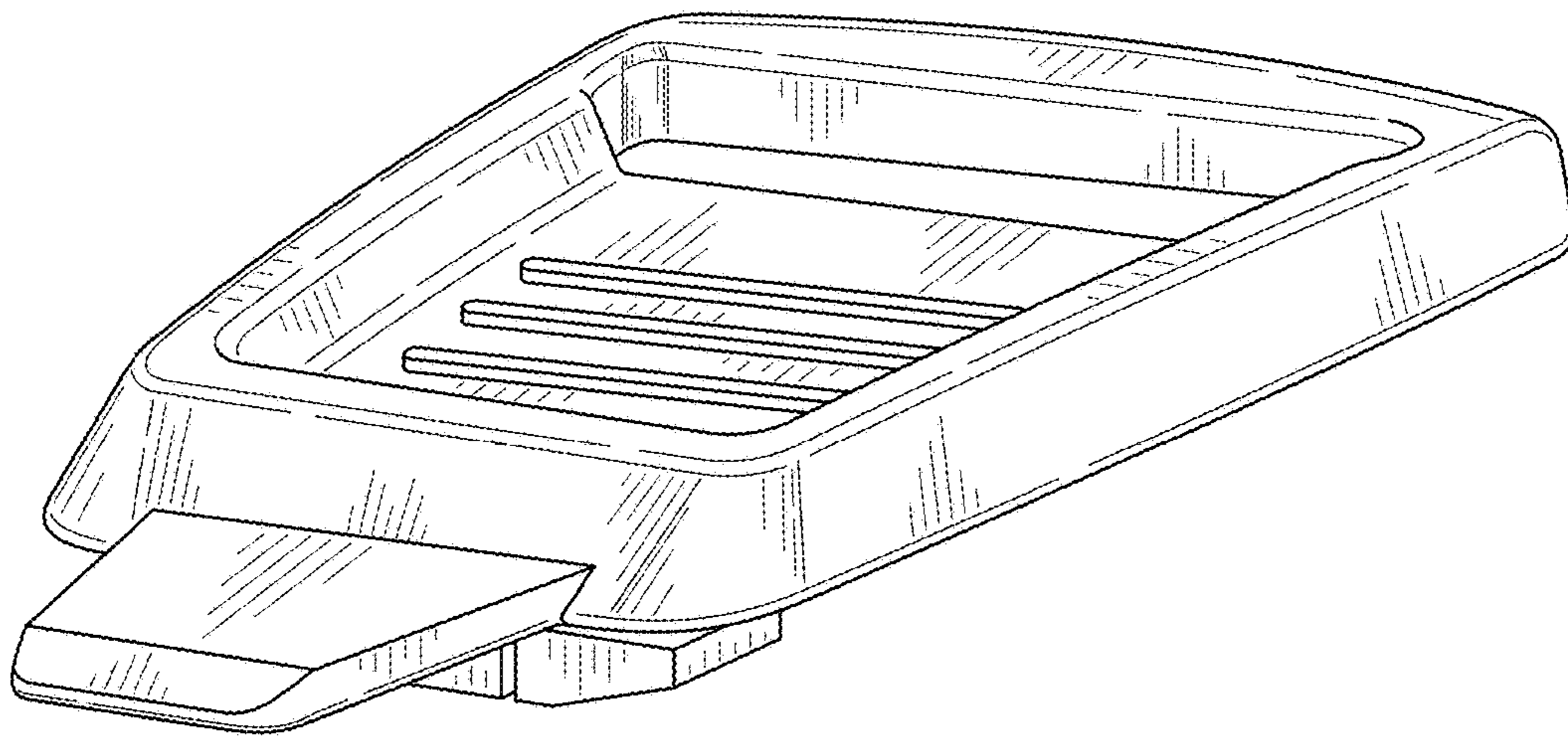


FIG. 1

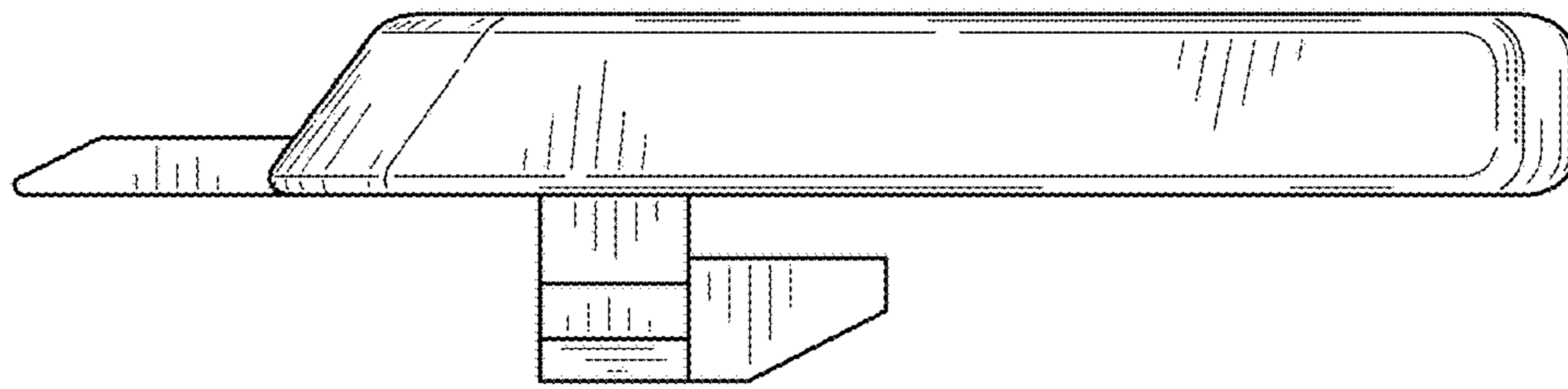


FIG. 2

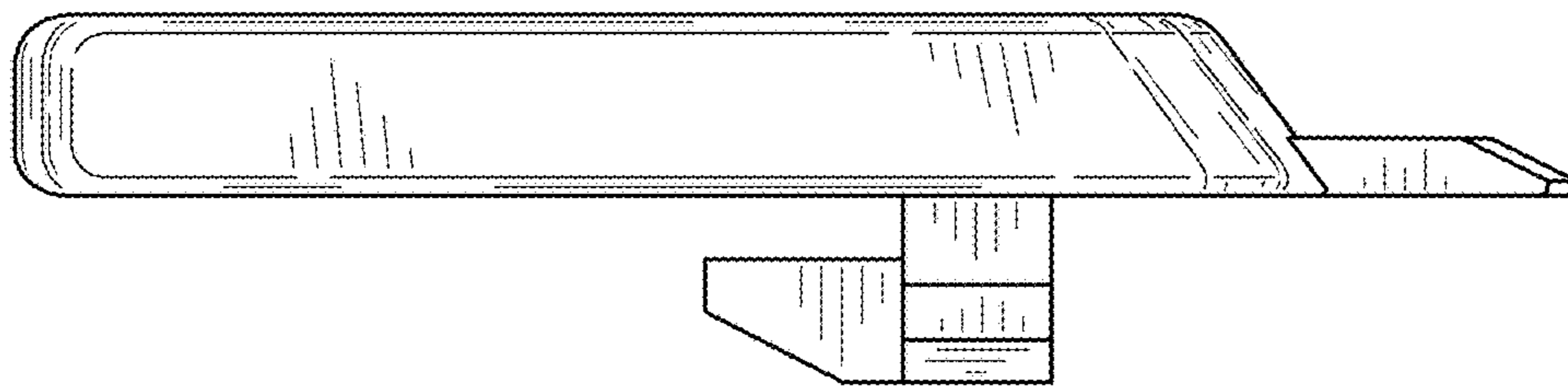


FIG. 3

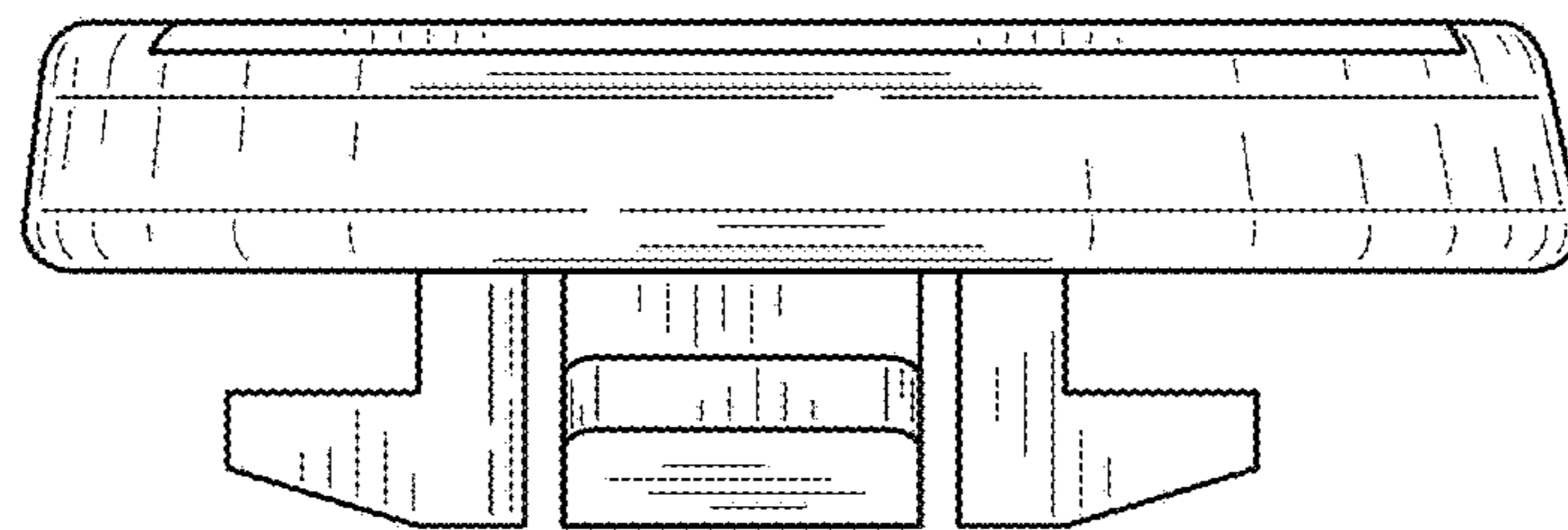


FIG. 4

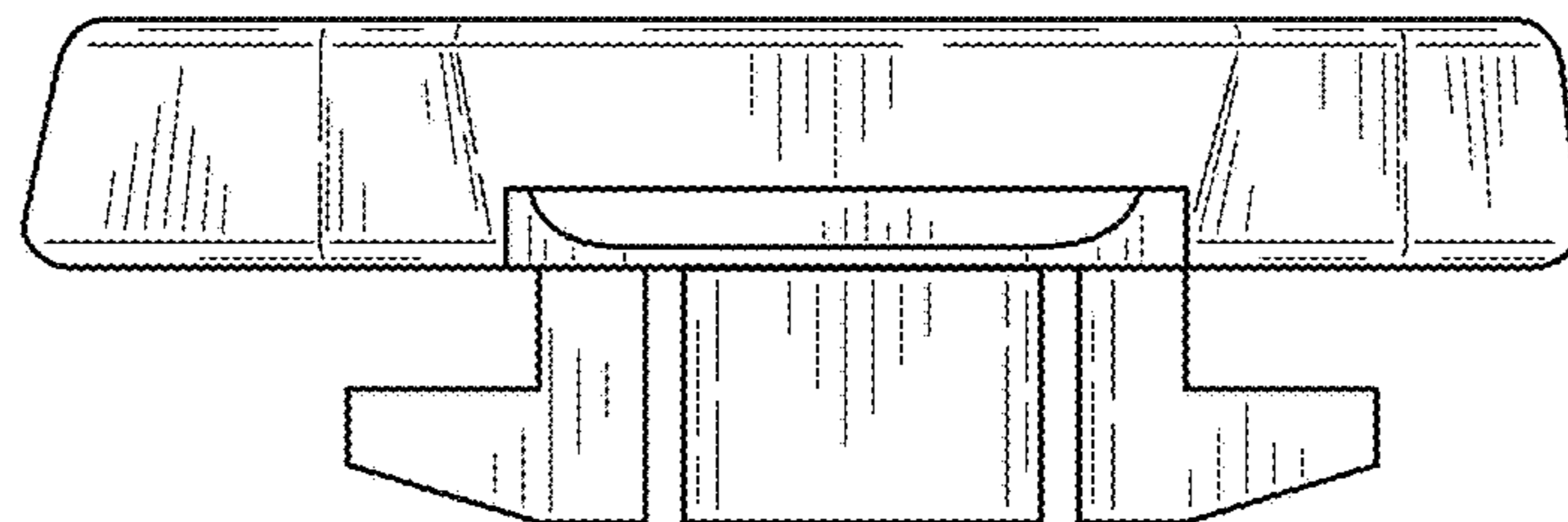


FIG. 5

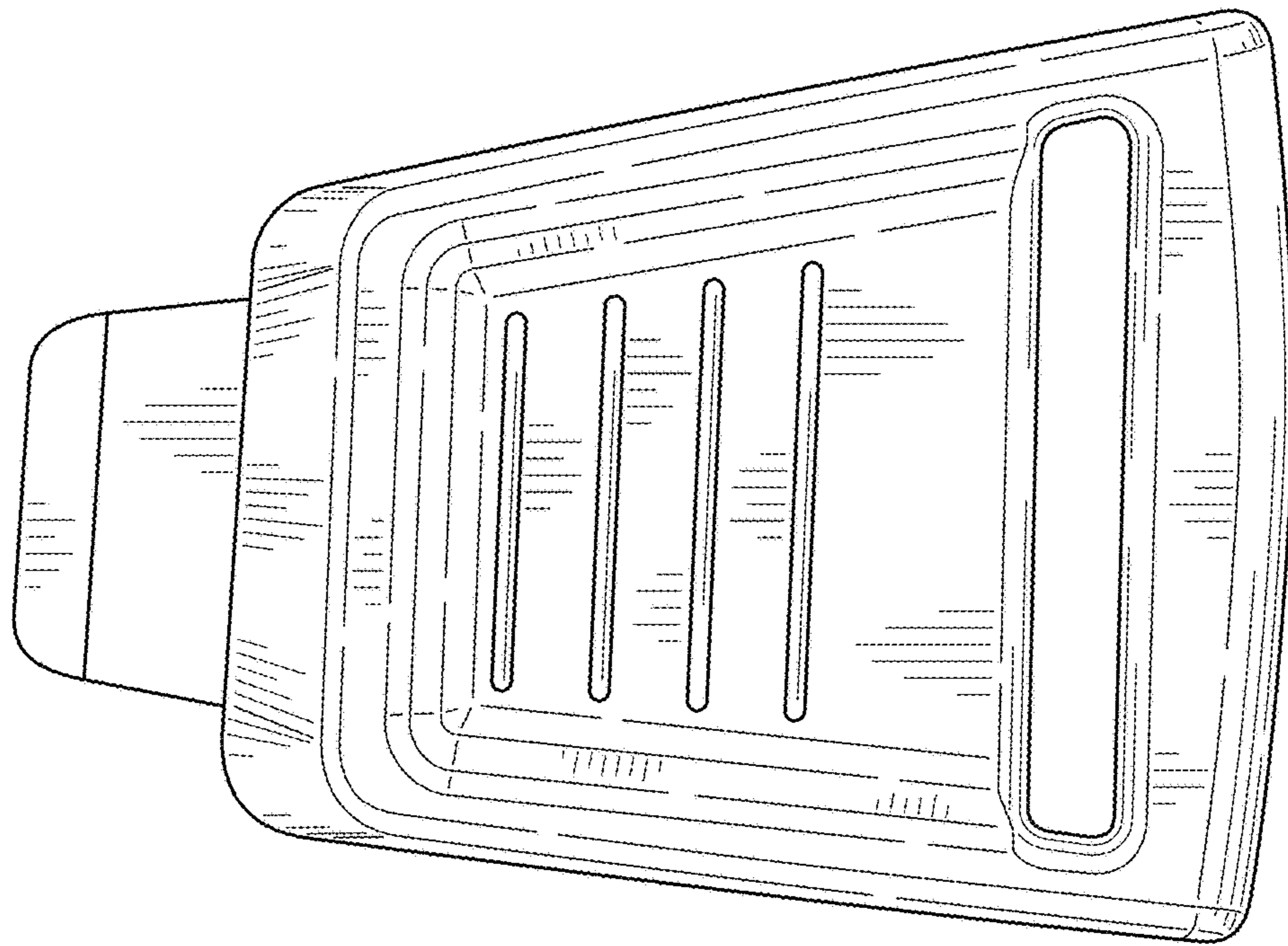


FIG. 6

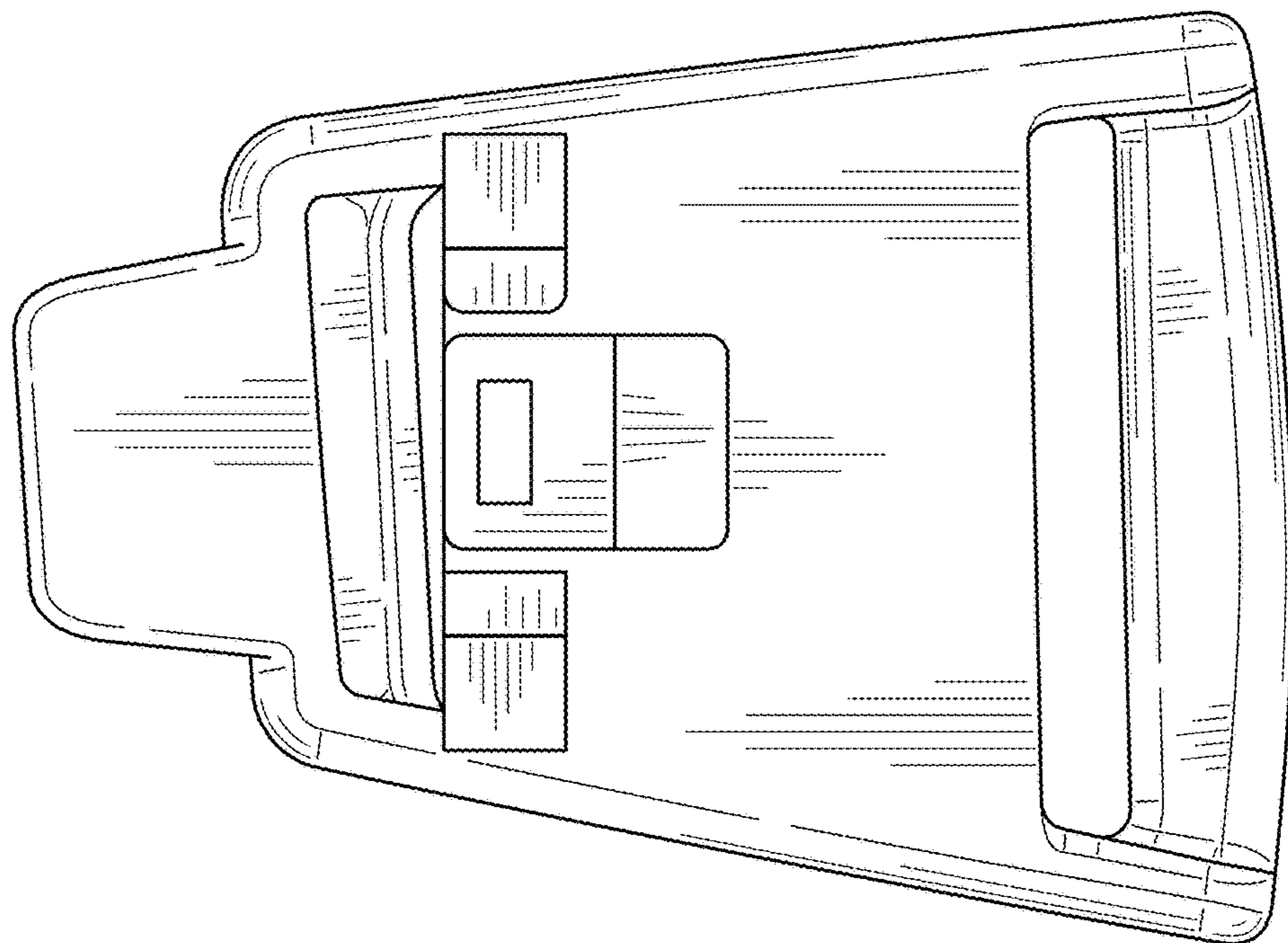


FIG. 7

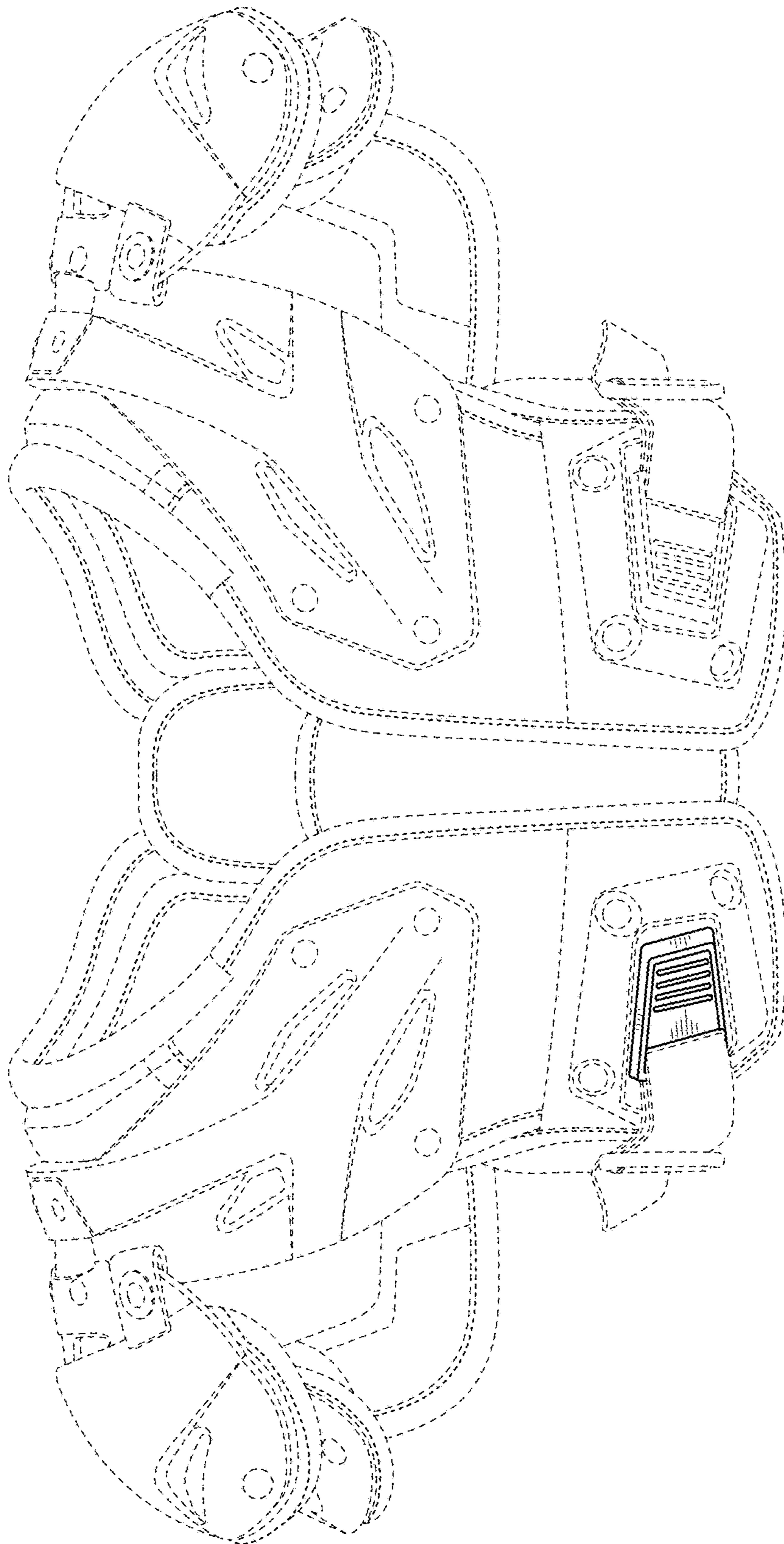


FIG. 8