



US00D838915S

(12) **United States Design Patent**
Piombino et al.

(10) **Patent No.:** **US D838,915 S**
(45) **Date of Patent:** **** Jan. 22, 2019**

(54) **PAD-LOCK BUCKLE HOUSING UNIT FOR A SHOULDER PAD**

(71) Applicant: **BSN SPORTS, LLC**, Farmers Branch, TX (US)

(72) Inventors: **Don Piombino**, Farmers Branch, TX (US); **Bastien Jourde**, Montréal (CA)

(73) Assignee: **BSN Sports, LLC**, Farmers Branch, TX (US)

(**) Term: **15 Years**

(21) Appl. No.: **29/622,262**

(22) Filed: **Oct. 16, 2017**

Related U.S. Application Data

(62) Division of application No. 29/561,478, filed on Apr. 15, 2016, now Pat. No. Des. 804,728.

(51) **LOC (11) Cl.** **29-02**

(52) **U.S. Cl.**
USPC **D29/101.3**

(58) **Field of Classification Search**
USPC D29/10, 11, 99, 100, 101.2, 101.3; 2/2, 2/2.5, 27, 44, 45, 69, 92, 102, 108, 268, 2/326, 410, 411, 412, 413, 414, 455, 456, 2/461, 462, 463, 464, 465, 468, 94; 428/113, 911; 89/36.01, 36.02, 36.05; D24/64; 280/290, 808; 350/97, 98
CPC A41D 1/00
See application file for complete search history.

(56) **References Cited**

U.S. PATENT DOCUMENTS

4,320,537 A	3/1982	Mitchell	
D286,946 S	12/1986	Parks et al.	
4,989,265 A	2/1991	Nipper et al.	
5,054,121 A	10/1991	Mitchell	
5,530,966 A	7/1996	West	
5,987,654 A	11/1999	Chartrand	
8,015,621 B2	9/2011	Udelhofen	
D694,956 S *	12/2013	Jourde D29/101.3

* cited by examiner

Primary Examiner — Randall H Gholson

(74) *Attorney, Agent, or Firm* — Finnegan, Henderson, Farabow, Garrett & Dunner LLP

(57) **CLAIM**

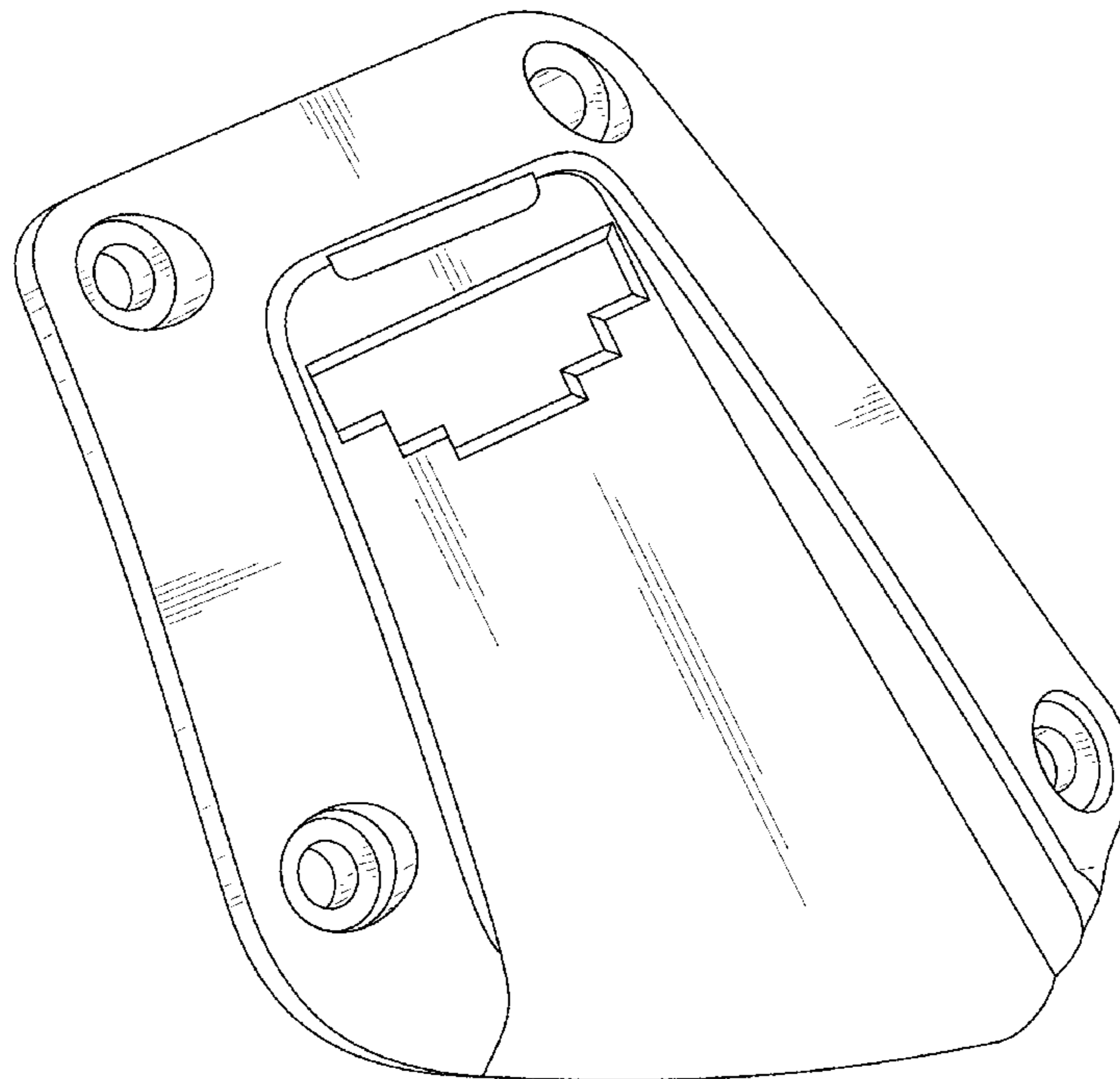
The ornamental design for a pad-lock buckle housing unit for a shoulder pad, as shown and described.

DESCRIPTION

FIG. 1 is a top, left isometric view of a pad-lock buckle housing unit for a shoulder pad, showing our new design; FIG. 2 is a right side isometric view thereof; FIG. 3 is a top, side isometric view thereof; FIG. 4 is a top, front isometric view thereof; FIG. 5 is a bottom plan view thereof; and, FIG. 6 is a partial isometric view thereof, showing the pad-lock buckle housing unit for a shoulder pad in use in a shoulder pad.

The broken lines showing the bottom plan view of the pad-lock buckle housing unit for a shoulder pad and a shoulder pad are included for the purpose of illustrating use and environment and form no part of the claimed design.

1 Claim, 6 Drawing Sheets



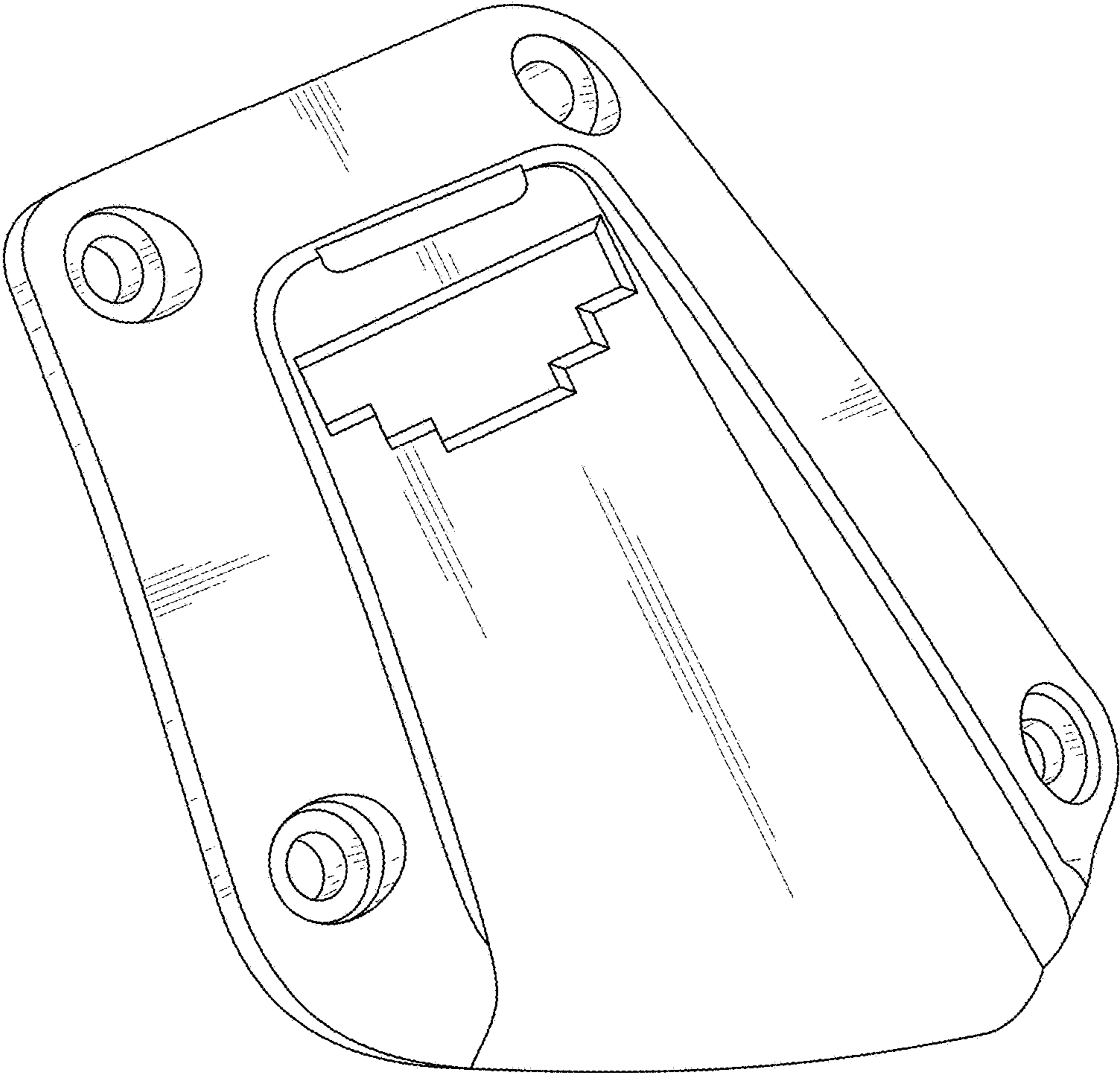


FIG. 1

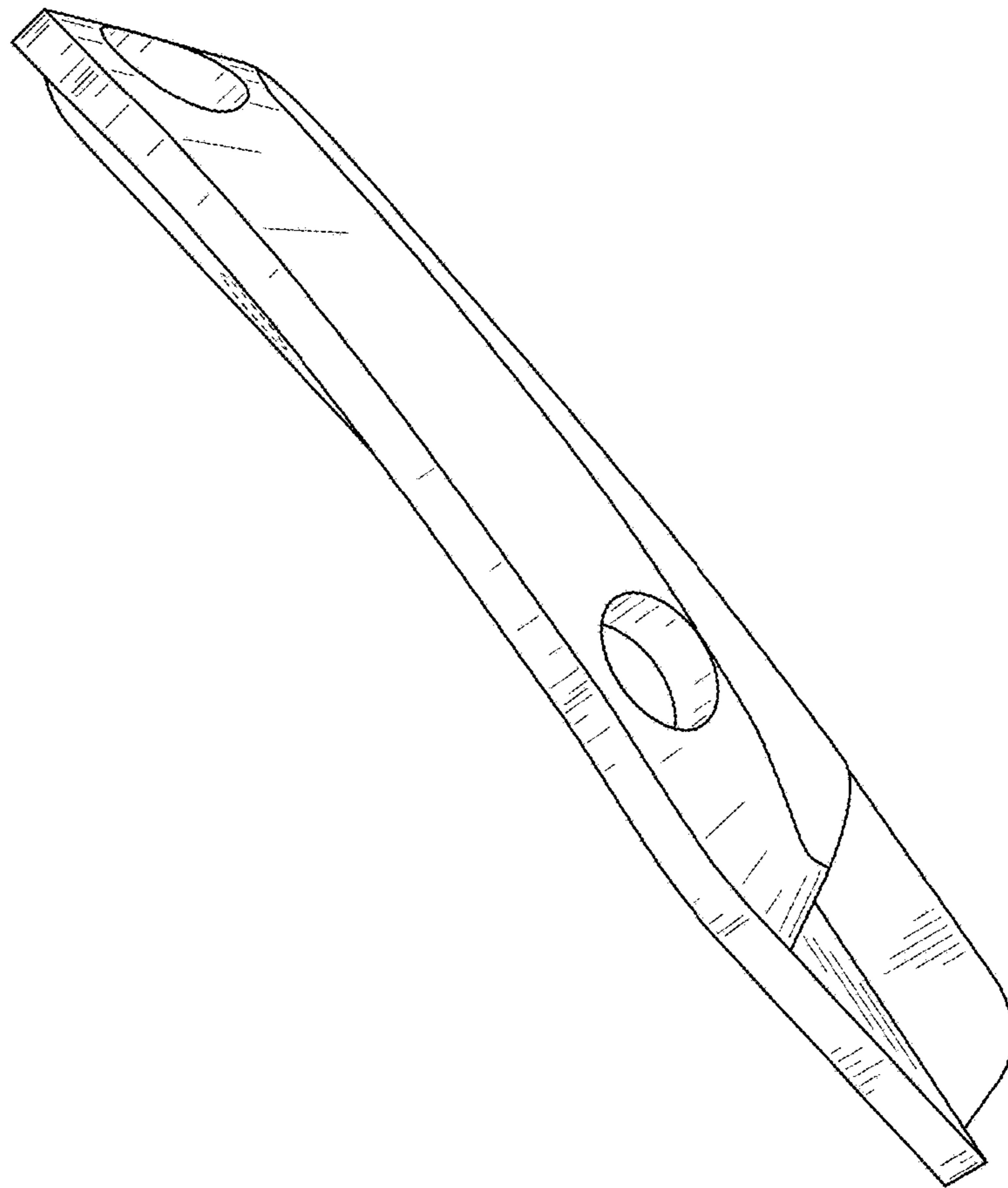


FIG. 2

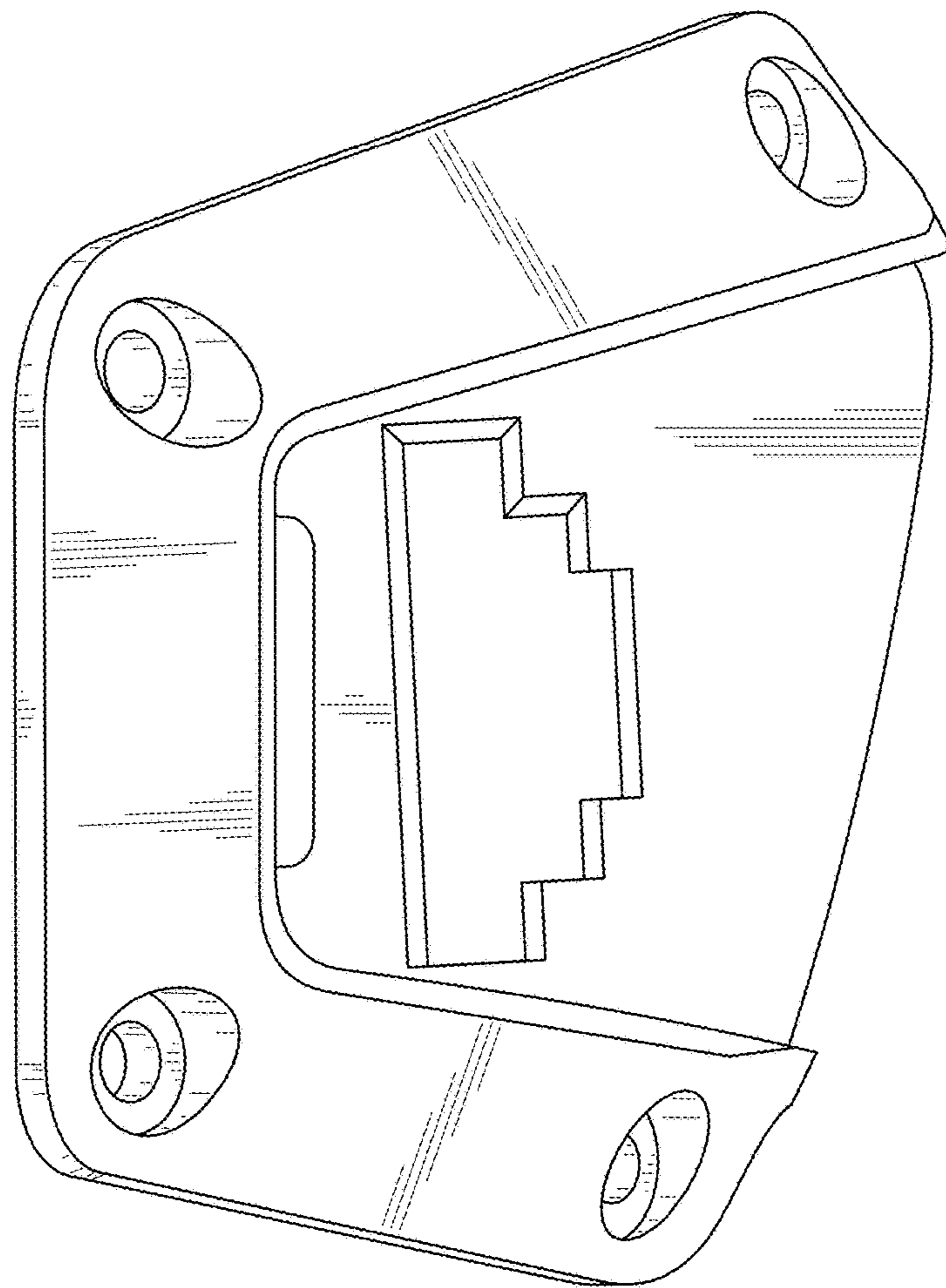


FIG. 3

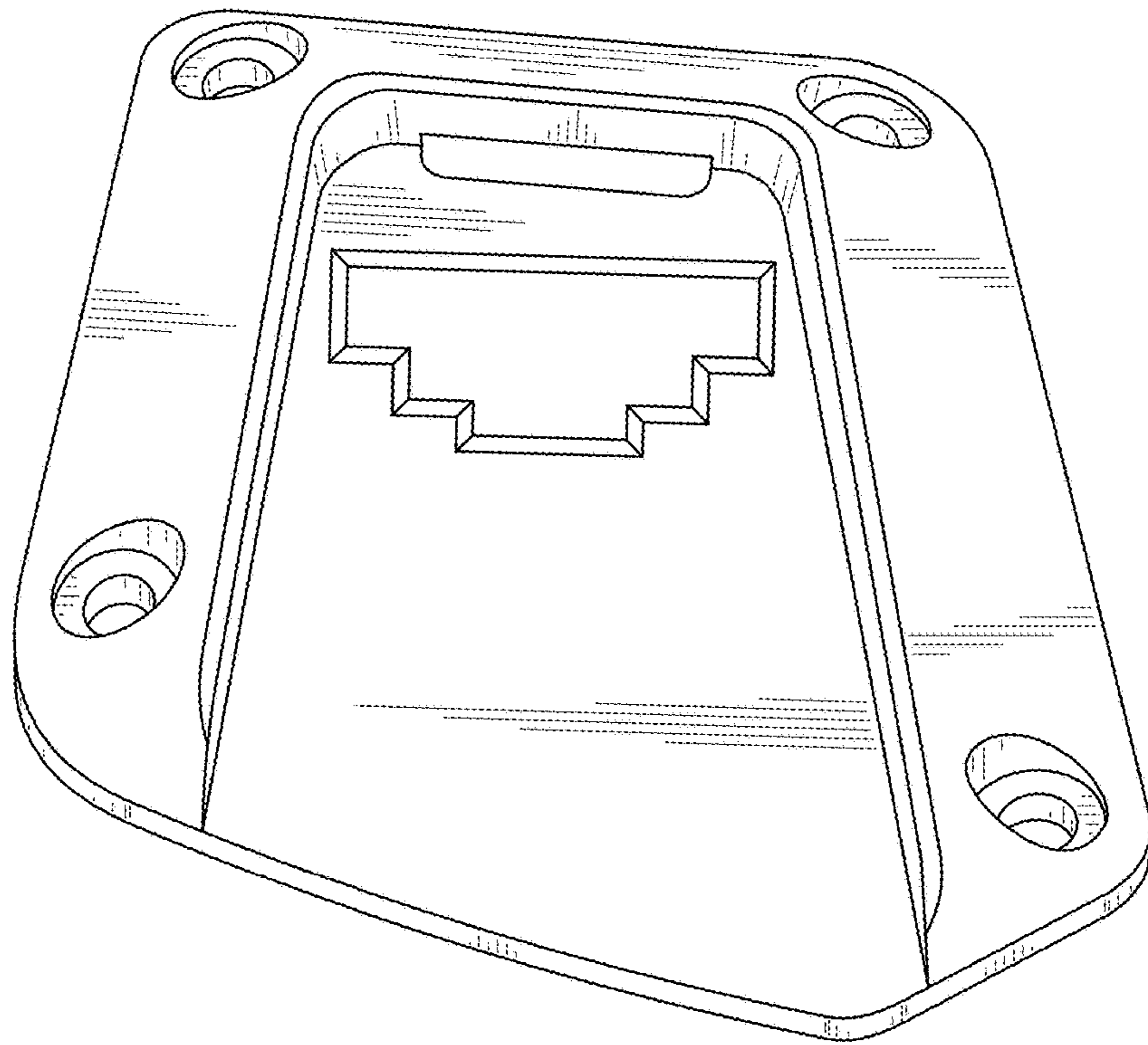


FIG. 4

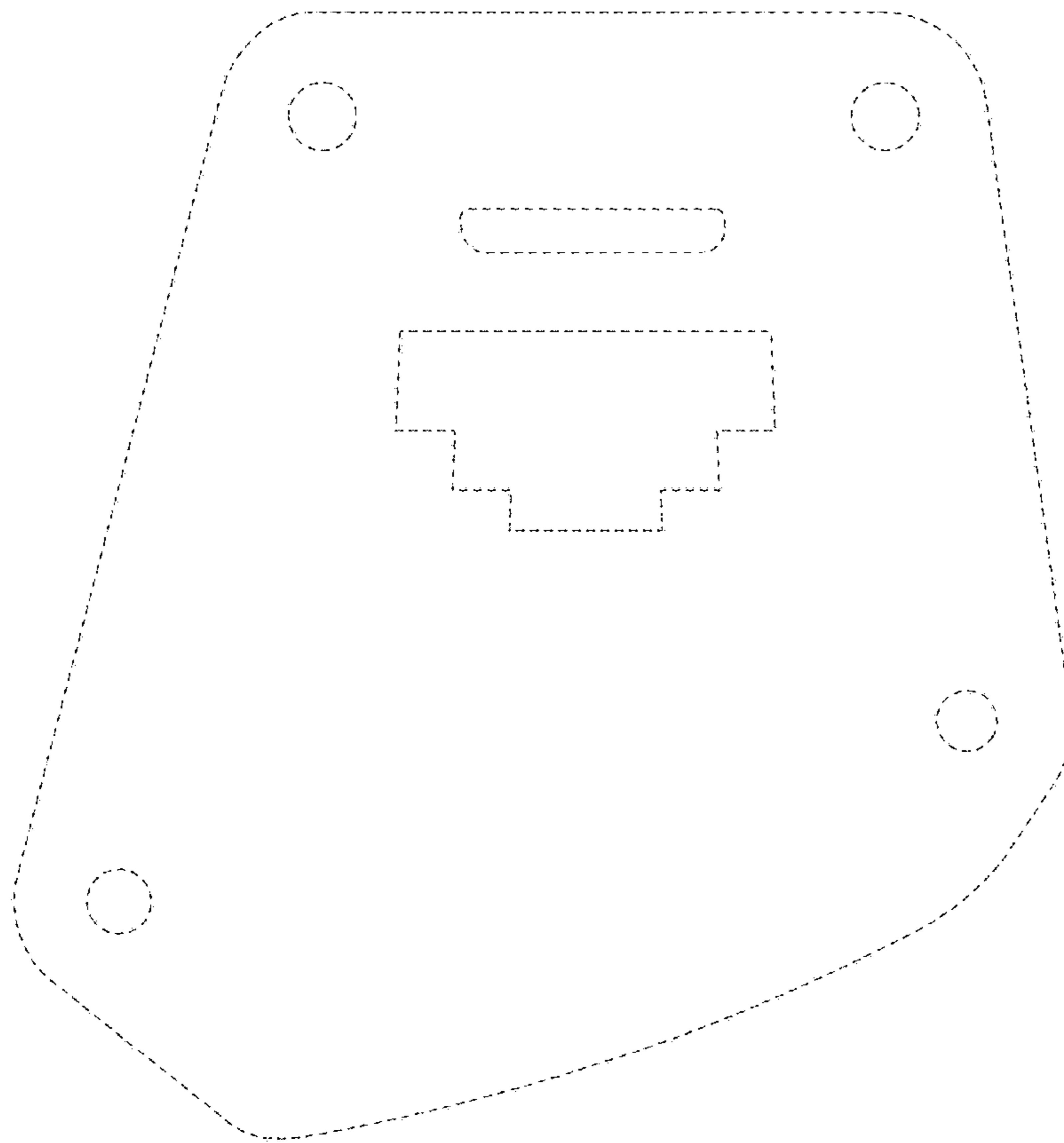


FIG. 5

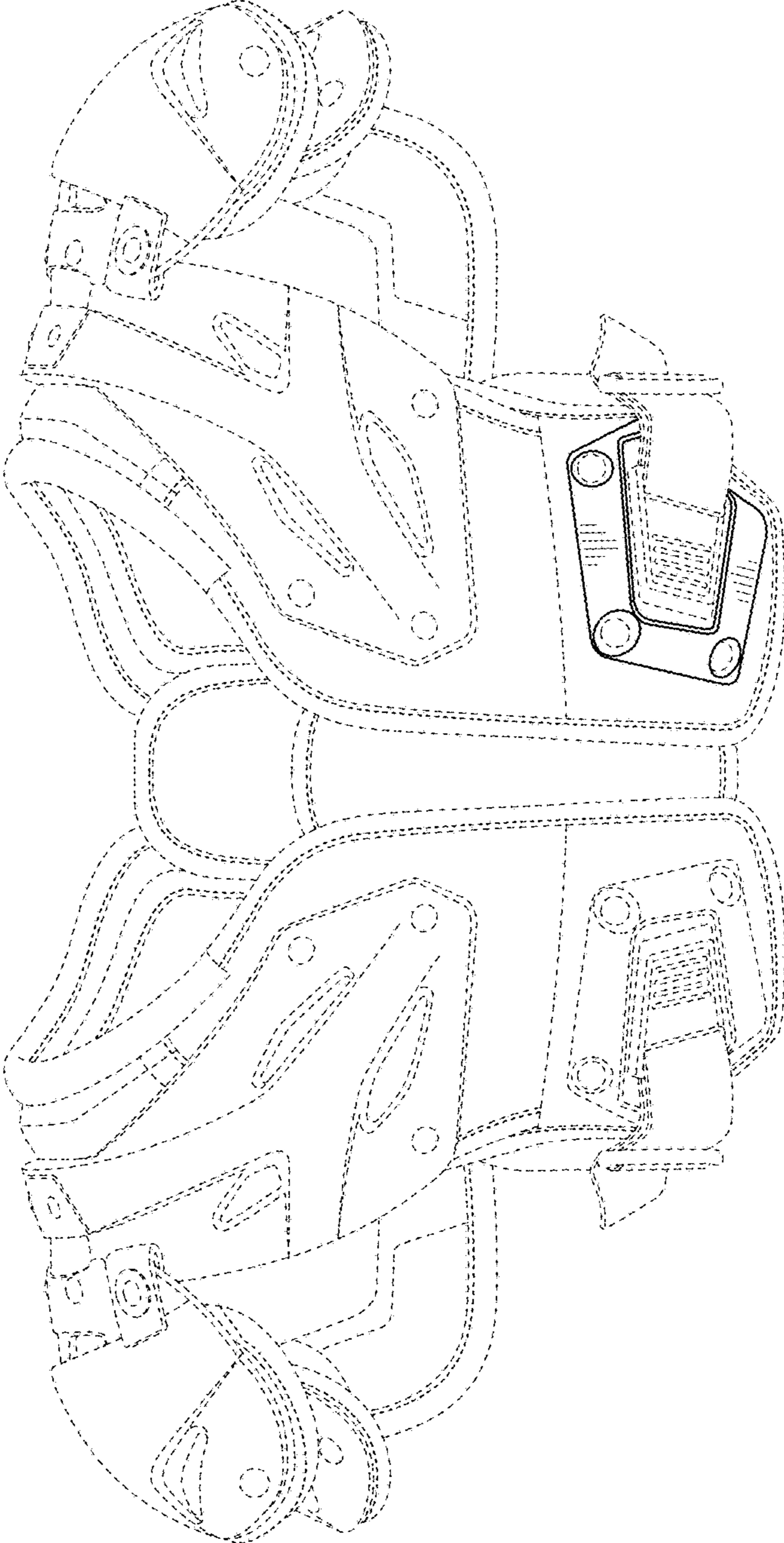


FIG. 6