



US00D838907S

(12) **United States Design Patent** (10) **Patent No.:** **US D838,907 S**  
**Bates et al.** (45) **Date of Patent:** **\*\* Jan. 22, 2019**

(54) **HAIR STRAIGHTENER**

2/40; A45D 1/00; A45D 1/02-1/04; A45D 1/06; A45D 1/10; A45D 1/16; A45D 1/28

See application file for complete search history.

(71) Applicant: **Dyson Technology Limited**, Wiltshire (GB)

(56) **References Cited**

(72) Inventors: **Adam James Bates**, Oxford (GB); **Alexander Stuart Knox**, Swindon (GB); **Andrea Ee-Va Lim**, Bristol (GB); **Robert Mark Brett Coulton**, Bristol (GB); **Frederick Stuart Grotrian**, Swindon (GB); **Oliver Andrew Charles Whittaker**, Fife (GB); **Peter David Gammack**, Gloucester (GB); **Samuel James Czerpak**, Reading (GB); **Stephen Benjamin Courtney**, Gloucester (GB); **Tom Vallance Hamilton Crawford**, Bristol (GB)

U.S. PATENT DOCUMENTS

D575,453	S	*	8/2008	Overend	.....	D28/35
D609,401	S	*	2/2010	Yang	.....	D28/35
D618,395	S	*	6/2010	Mau	.....	D28/35
8,232,505	B2	*	7/2012	Hottenrott	.....	A45D 1/06 132/232
D682,467	S	*	5/2013	Kim	.....	D28/35
D719,296	S	*	12/2014	Brady	.....	D28/35
D780,374	S	*	2/2017	Yu	.....	D28/35
D798,503	S	*	9/2017	Ceva	.....	D28/35
D825,848	S	*	8/2018	Brady	.....	D28/35
2017/0164707	A1	*	6/2017	Cowdry	.....	A45D 2/001

OTHER PUBLICATIONS

www.amazon.com, Furiden Professional Hair Straightener, reviewed as early as Nov. 2017, 1 page (Year: 2017).\*

\* cited by examiner

*Primary Examiner* — Jennifer Rivard

(74) *Attorney, Agent, or Firm* — Morrison & Foerster LLP

(73) Assignee: **Dyson Technology Limited**, Malmesbury, Wiltshire (GB)

(\*\*) Term: **15 Years**

(21) Appl. No.: **29/625,418**

(57) **CLAIM**

We claim the ornamental design for a hair straightener, as shown and described.

(22) Filed: **Nov. 9, 2017**

(30) **Foreign Application Priority Data**

**DESCRIPTION**

May 12, 2017 (EM) ..... 003999002-0002

(51) **LOC (11) Cl.** ..... **28-03**

(52) **U.S. Cl.**  
USPC ..... **D28/35**

(58) **Field of Classification Search**  
USPC ..... D28/35-38  
CPC ... A45D 2/12; A45D 2/14; A45D 2/36-2/367;  
A45D 2/001-2/002; A45D 2/06; A45D

FIG. 1 is a front perspective view of a hair straightener showing our new design in an open position;  
FIG. 2 is a rear perspective view thereof showing the hair straightener in a closed position;  
FIG. 3 is a side view thereof showing the hair straightener in the open position;  
FIG. 4 is a side view of the opposite side of FIG. 3 showing the hair straightener in the closed position;  
FIG. 5 is a top view thereof;

(Continued)

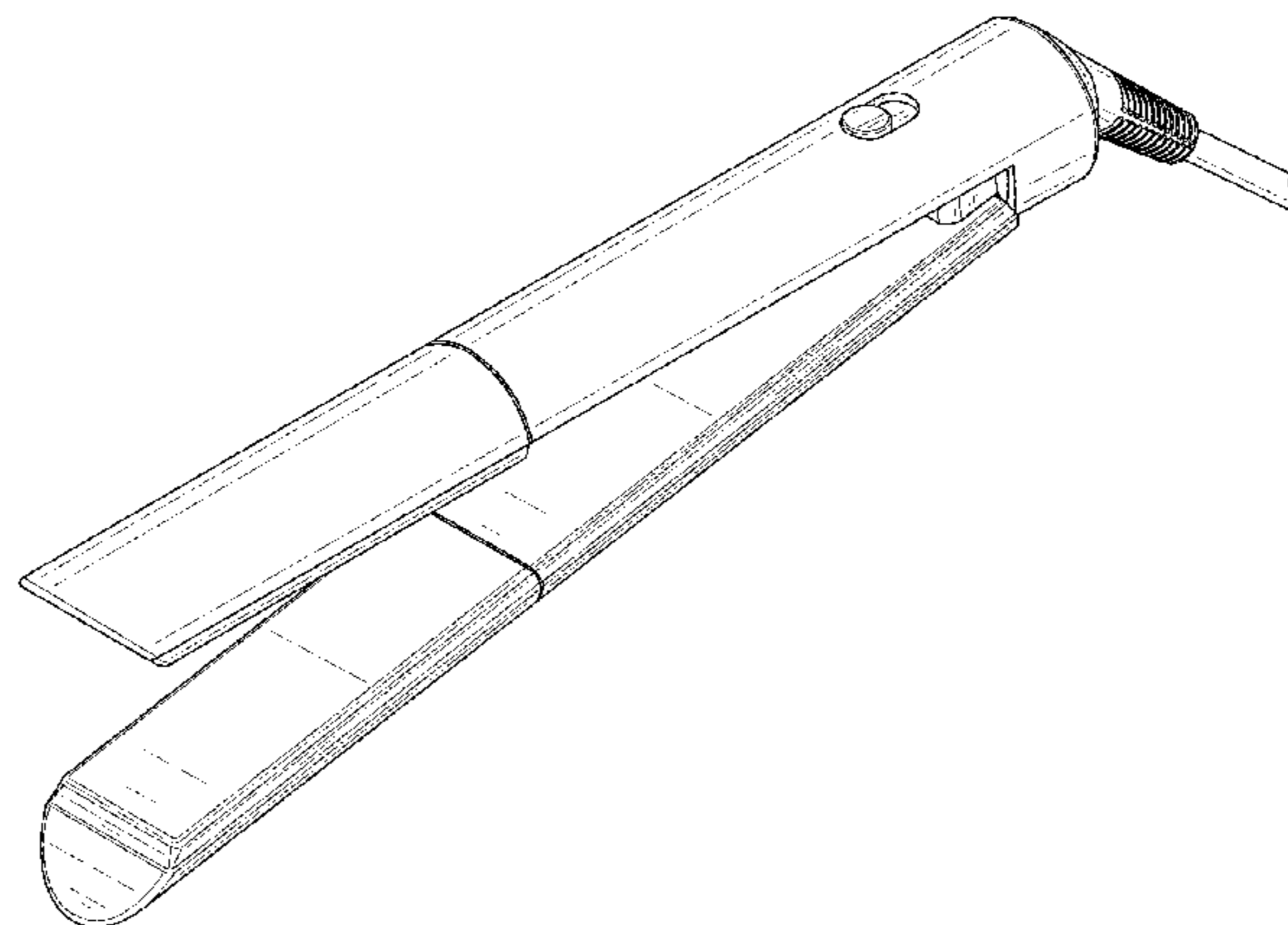


FIG. 6 is a bottom view thereof; and,  
FIG. 7 is a front view thereof showing the hair straightener  
in the closed position.

**1 Claim, 7 Drawing Sheets**

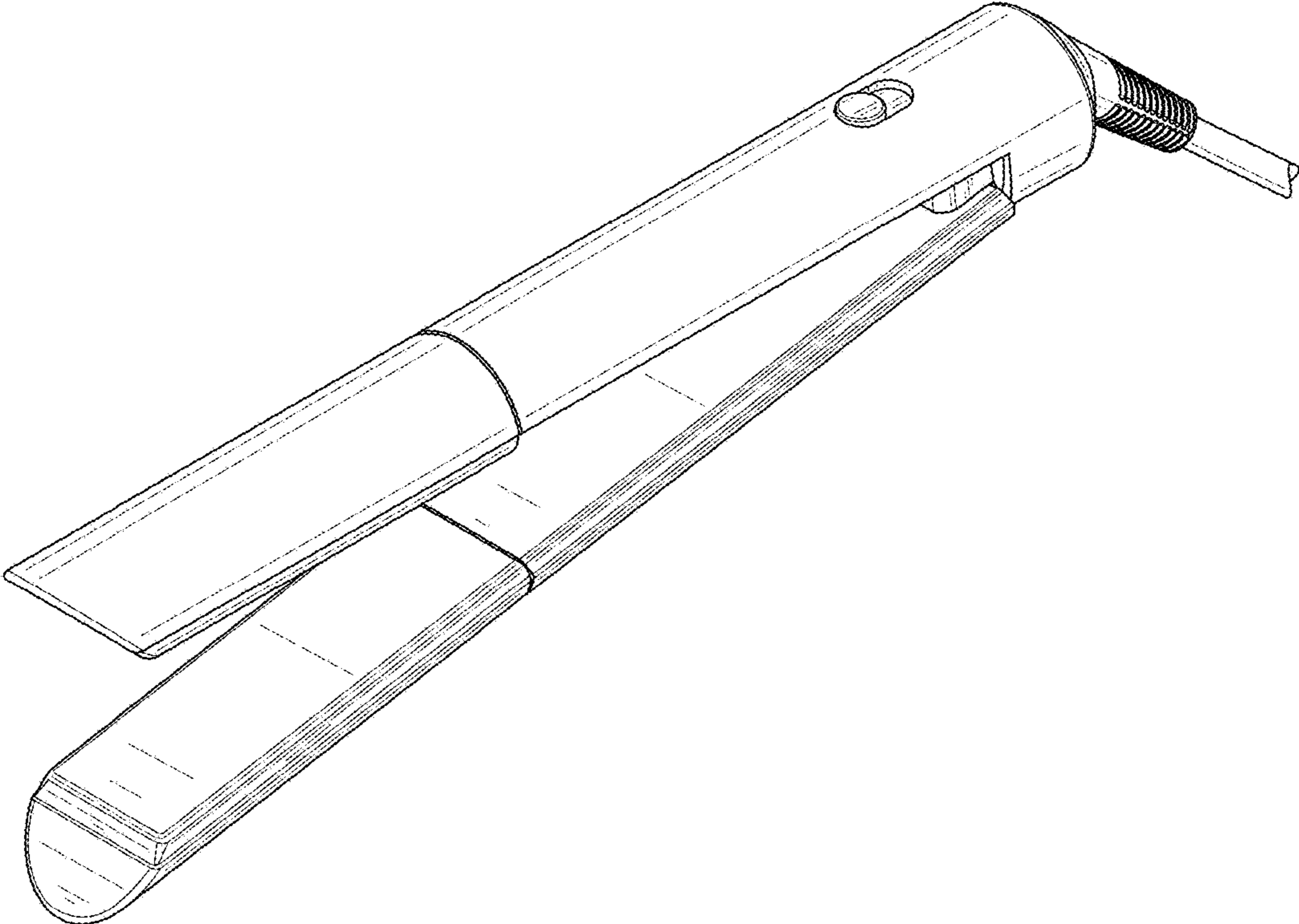


FIG. 1

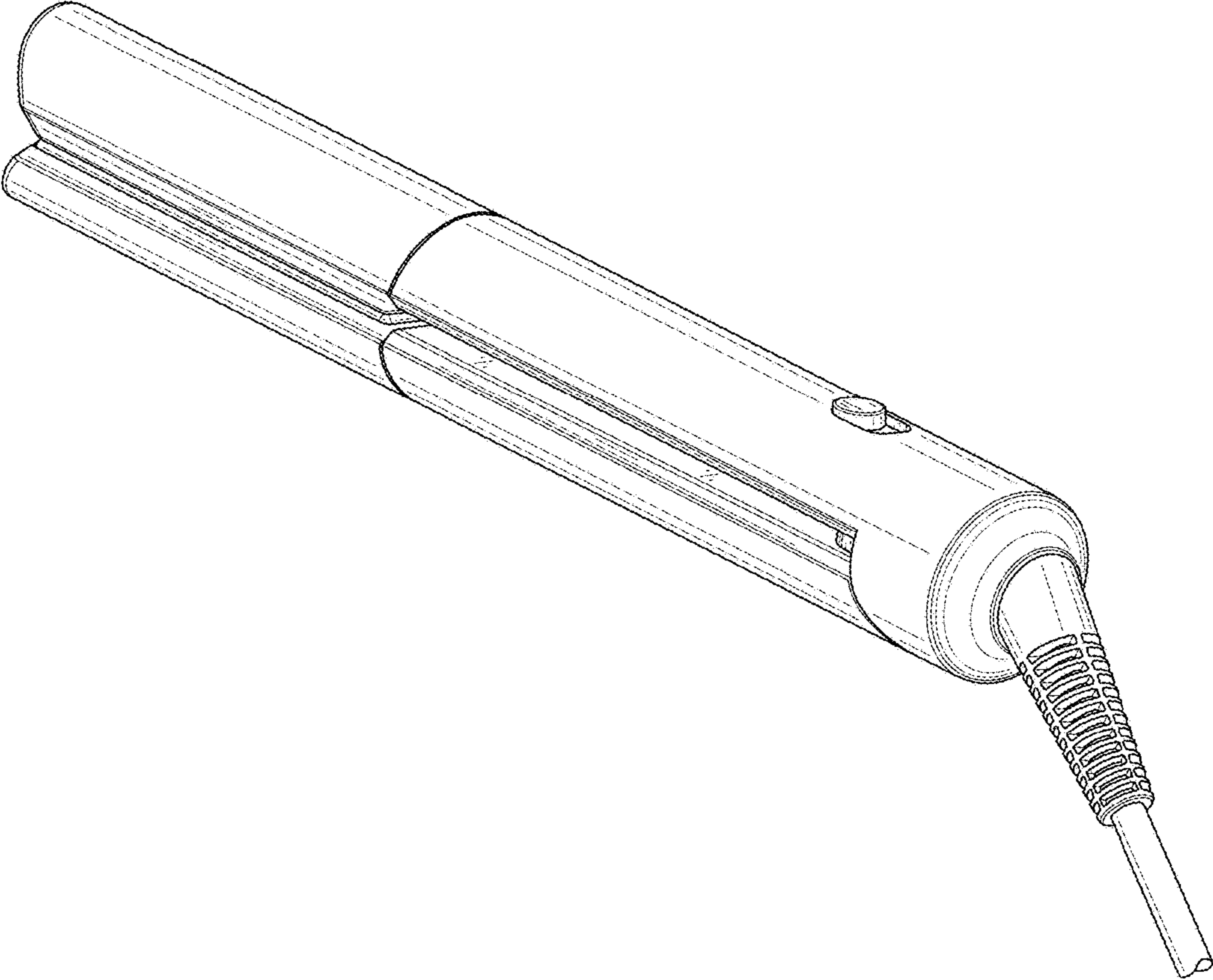


FIG. 2

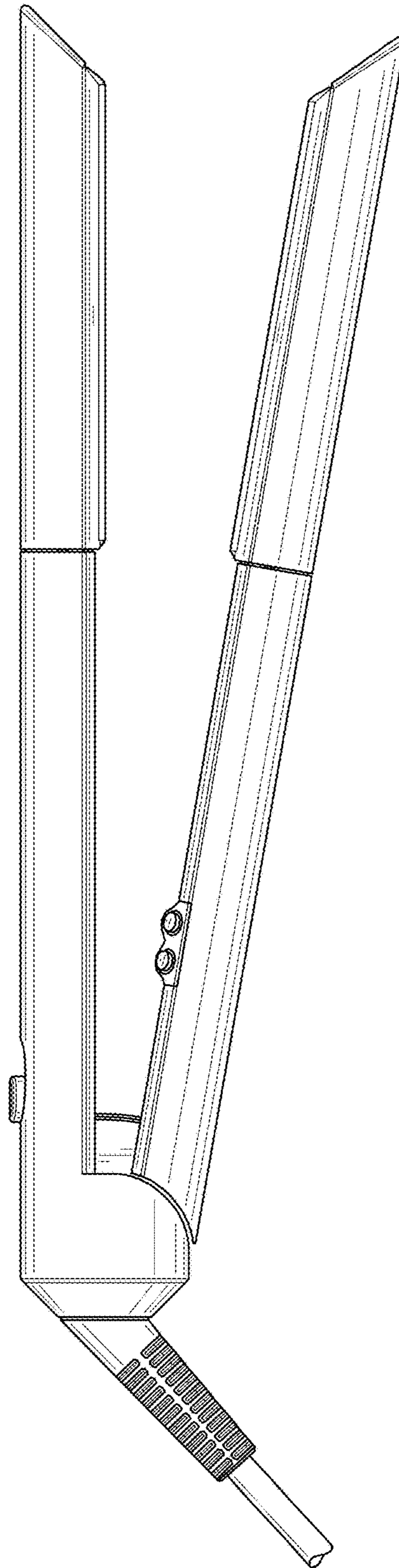


FIG. 3

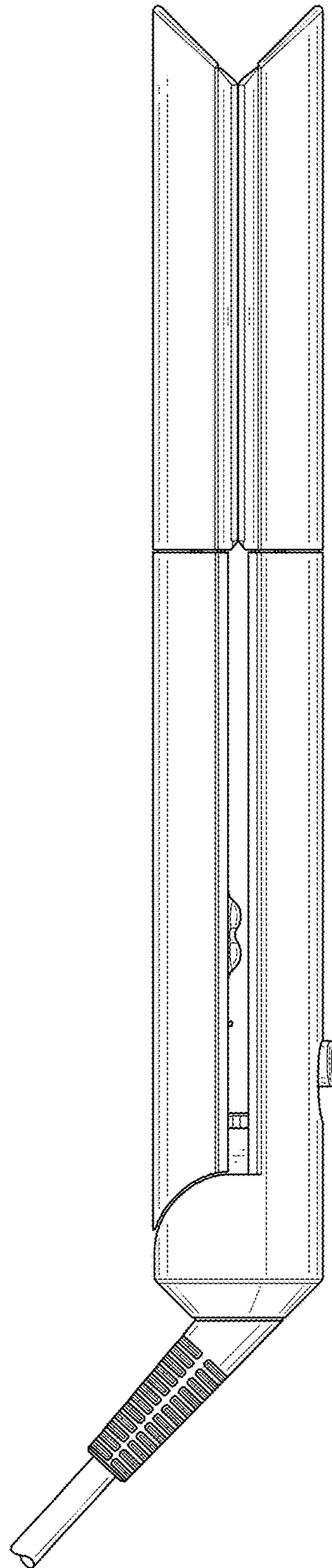


FIG. 4

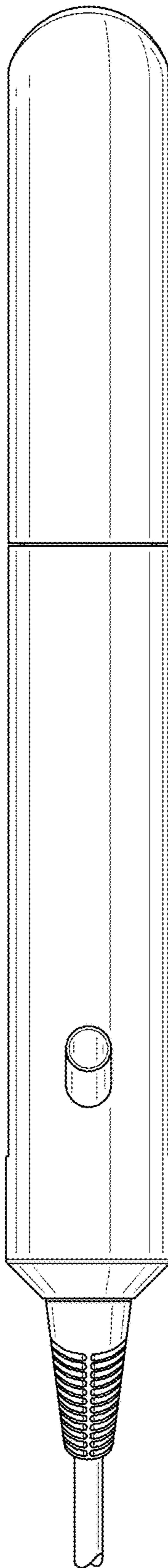


FIG. 5

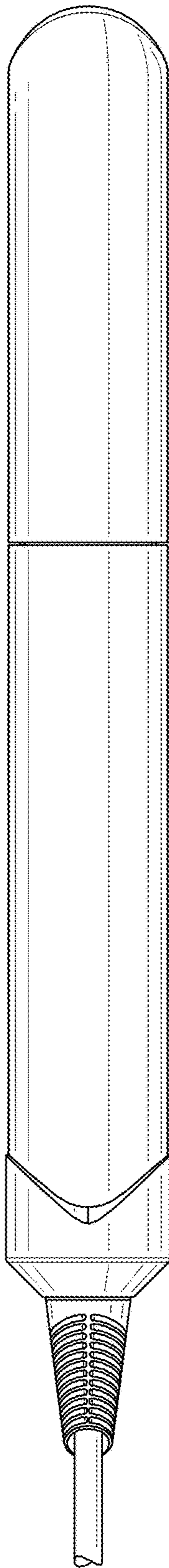


FIG. 6



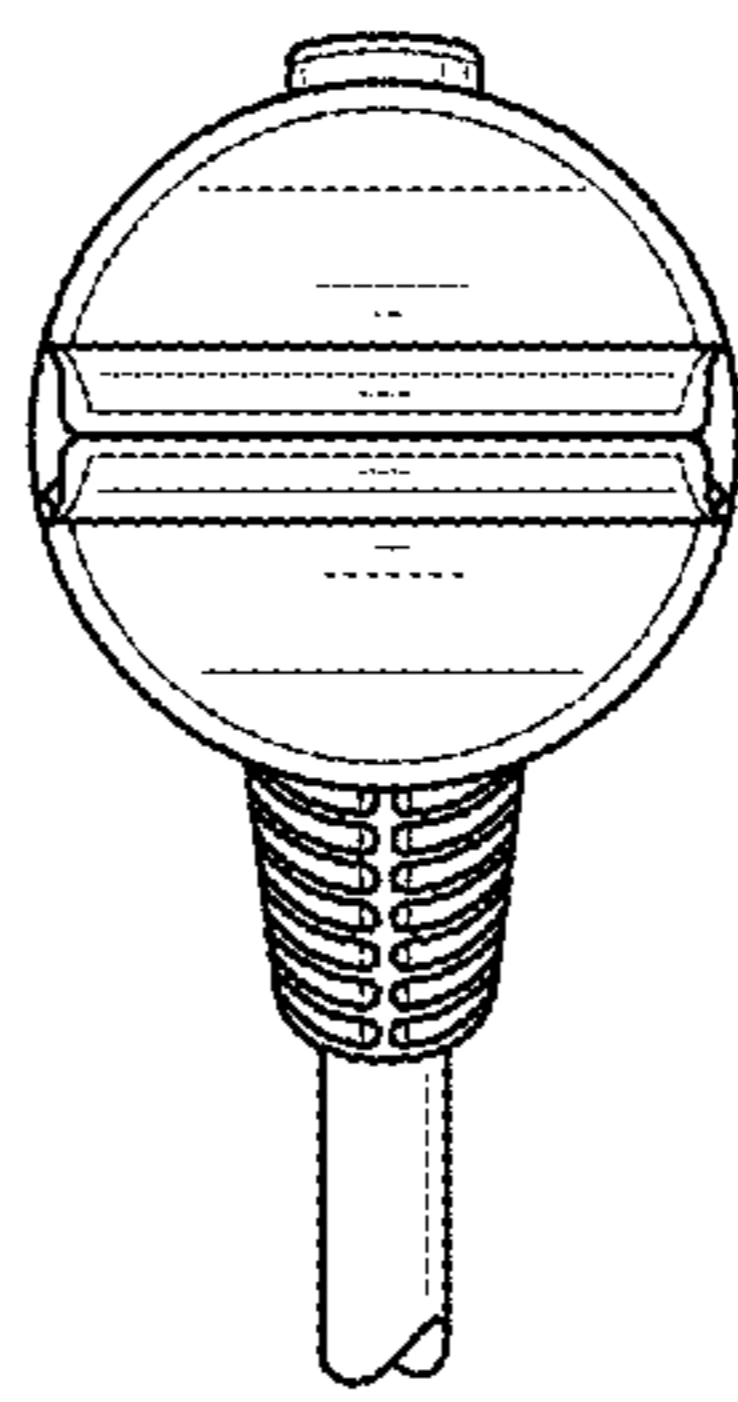


FIG. 7