

US00D838902S

(12) **United States Design Patent**
Suzuki

(10) **Patent No.:** **US D838,902 S**
(45) **Date of Patent:** **** Jan. 22, 2019**

(54) **DISPENSER**

(71) Applicant: **KOTOBUKI & CO., LTD.**,
Kawagoe-shi (JP)

(72) Inventor: **Tomoaki Suzuki**, Kawagoe (JP)

(73) Assignee: **KOTOBUKI & CO., LTD.**,
Saitama-Ken (JP)

(**) Term: **15 Years**

(21) Appl. No.: **29/596,929**

(22) Filed: **Mar. 13, 2017**

(30) **Foreign Application Priority Data**

Dec. 27, 2016 (JP) 2016-028234
Dec. 27, 2016 (JP) 2016-028235

(51) **LOC (11) Cl.** **28-02**

(52) **U.S. Cl.**
USPC **D28/7**; D19/190; D19/200

(58) **Field of Classification Search**
USPC D19/168–186, 117, 163–167, 901–934,
D19/108, 161, 190, 191; D4/138, 199;
D28/7; D9/727

CPC B43K 24/03; B43K 23/12; B43K 23/001;
G09B 5/04; G06F 3/03545

See application file for complete search history.

(56) **References Cited**

U.S. PATENT DOCUMENTS

1,325,070 A * 12/1919 Andrews B25B 15/02
81/437
2,299,296 A * 10/1942 Battle A45D 24/24
132/108
2,313,865 A * 3/1943 Dworkin A46B 11/0013
401/288

D158,554 S * 5/1950 Cady D28/91.1
3,061,868 A * 11/1962 Miller A46B 11/002
401/135
3,877,822 A * 4/1975 LaMura A45D 34/043
401/101

(Continued)

FOREIGN PATENT DOCUMENTS

JP 2000-327007 A 11/2000
JP 2001-048219 A 2/2001

(Continued)

Primary Examiner — Cynthia Ramirez

Assistant Examiner — Laura H Yu

(74) *Attorney, Agent, or Firm* — Frost Brown Todd LLC

(57) **CLAIM**

The ornamental design for a dispenser, as shown and described.

DESCRIPTION

FIG. 1 is perspective view of a dispenser, showing my new design;

FIG. 2 is a front view of the dispenser of FIG. 1;

FIG. 3 is a back view of the dispenser of FIG. 1;

FIG. 4 is a top view of the dispenser of FIG. 1;

FIG. 5 is a bottom view of the dispenser of FIG. 1;

FIG. 6 is a left side view of the dispenser of FIG. 1 (the right

view being a mirror image of the left side shown in FIG. 5);

FIG. 7 is an enlarged top view of the dispenser of FIG. 1;

FIG. 8 is an enlarged bottom view of the dispenser of FIG. 1;

FIG. 9 is an enlarged view of a portion of the dispenser of

FIG. 1, the portion being indicated by the broken line circle

in FIG. 6; and,

FIG. 10 is a cross-sectional end view of the dispenser of

FIG. 1, the cross section being taken along line 10-10 of

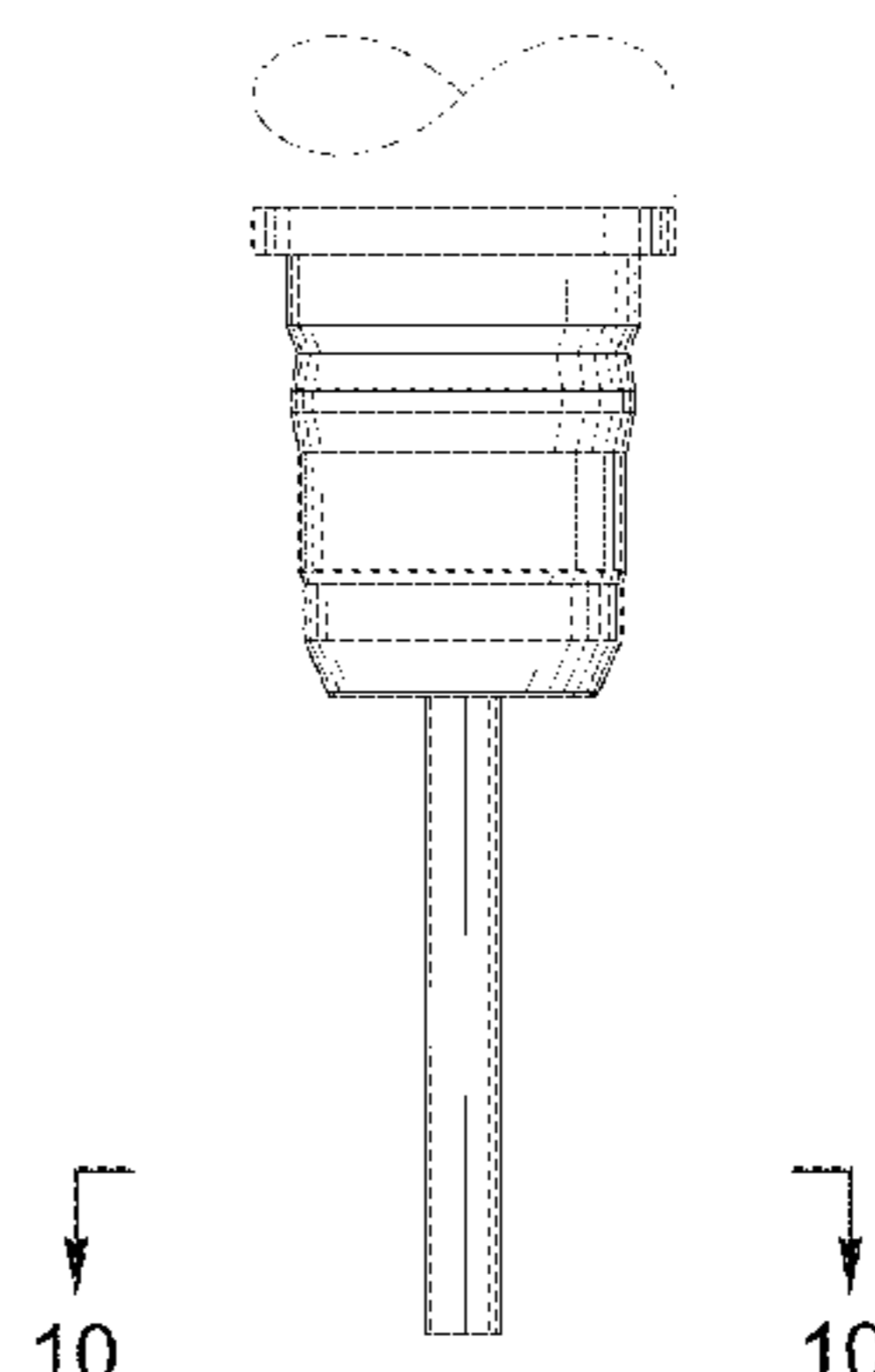
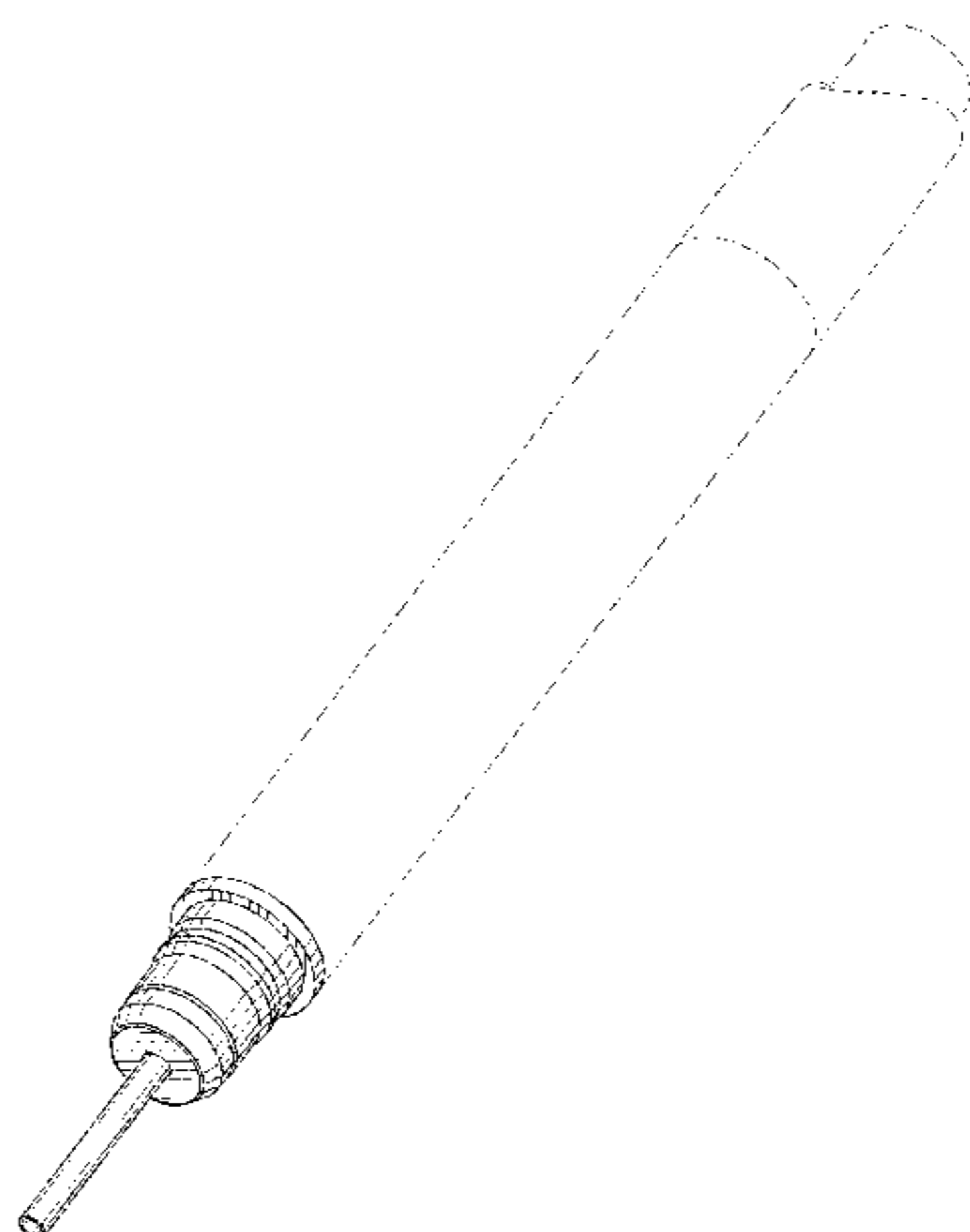
FIG. 9.

The structures shown in broken lines in FIGS. 1-4, 6-7, and

9 are unclaimed environment, and form no part of the

claimed design.

1 Claim, 6 Drawing Sheets



(56)

References Cited

U.S. PATENT DOCUMENTS

D299,973 S * 2/1989 Campello D28/7
 D389,867 S * 1/1998 Togawa D19/200
 6,102,602 A 8/2000 Kageyama et al.
 6,176,632 B1 1/2001 Kageyama et al.
 D460,485 S * 7/2002 Keda D19/163
 6,702,158 B2 3/2004 Kageyama et al.
 D502,506 S * 3/2005 Reichmann B43K 27/08
 D19/118
 6,918,515 B2 7/2005 Noguchi
 7,051,642 B2 5/2006 Kageyama
 D529,817 S * 10/2006 Francavilla G01F 11/025
 D9/724
 D551,569 S * 9/2007 Tanaka D9/724
 D555,831 S * 11/2007 Chan D28/7
 D557,745 S * 12/2007 Isono D19/194
 D566,331 S * 4/2008 Hartstock D28/7
 D589,555 S * 3/2009 Li D19/117
 D626,994 S * 11/2010 Gerules D19/117
 D639,998 S * 6/2011 Liu D19/901

D666,670 S * 9/2012 Dehne D19/108
 D675,540 S * 2/2013 Montminy D24/114
 D690,363 S * 9/2013 Yamanaka D19/200
 D692,319 S * 10/2013 Moreau D9/724
 D705,986 S * 5/2014 Pires D28/7
 D791,234 S * 7/2017 Vadenne D19/194
 D822,899 S * 7/2018 Corsi D28/7
 2007/0086830 A1 4/2007 Kageyama

FOREIGN PATENT DOCUMENTS

JP 2001-232273 A 8/2001
 JP 2002-068331 A 3/2002
 JP 2002-068332 A 3/2002
 JP 2003-174931 A 6/2003
 JP 2004-089592 A 3/2004
 JP 2005-192789 A 7/2005
 JP 2007-130437 A 5/2007
 JP 2010-274989 A 12/2010
 JP 2013-234001 A 11/2013

* cited by examiner

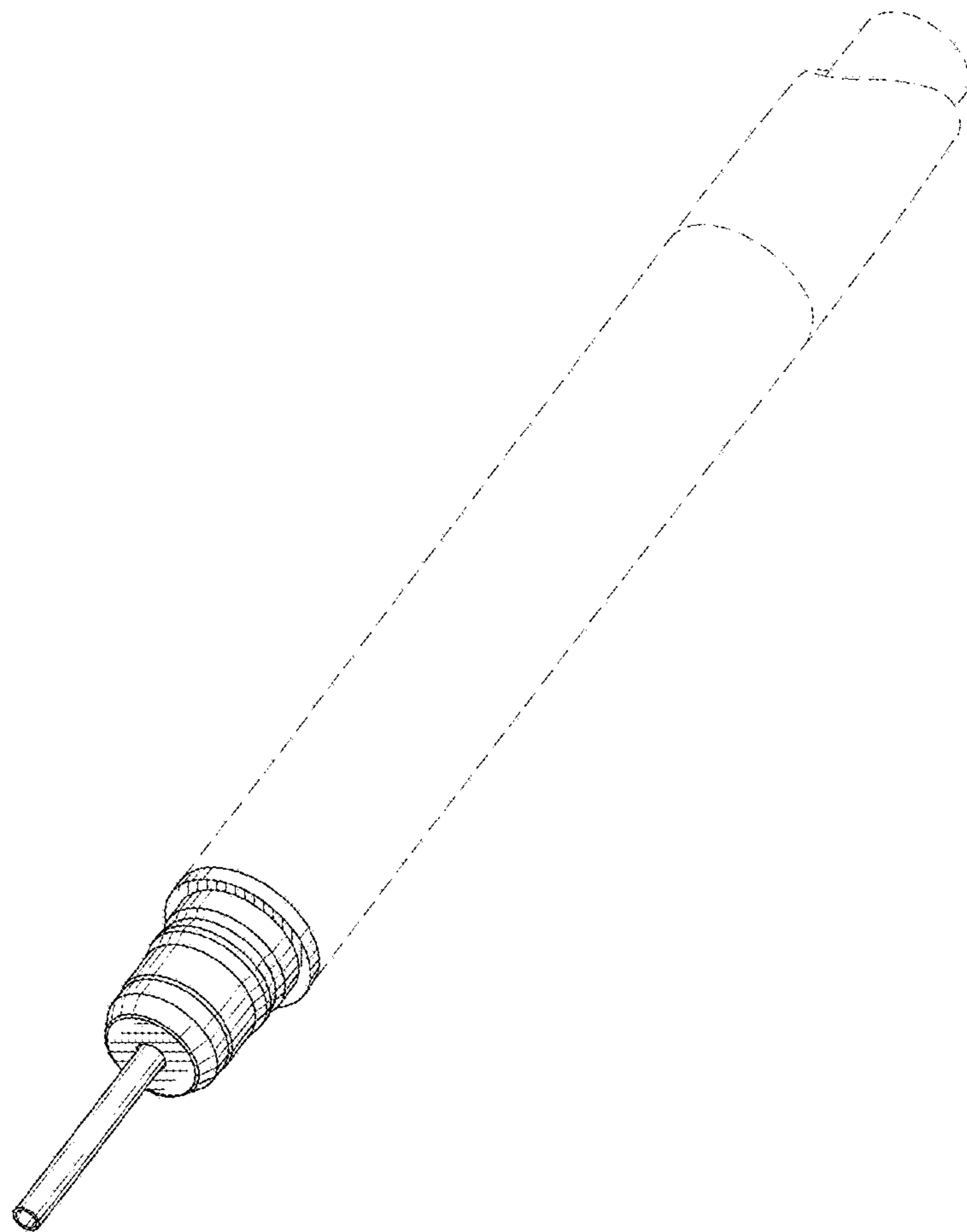


Fig. 1

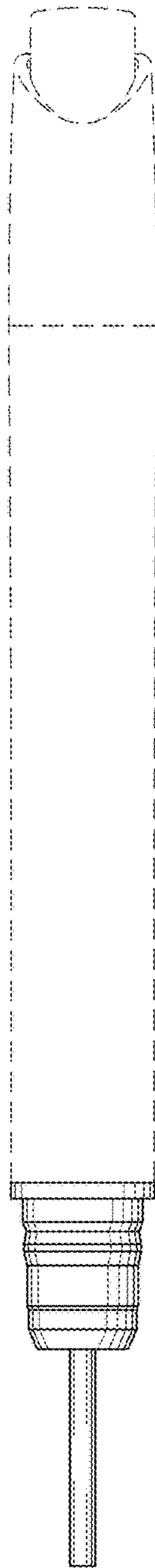


Fig. 2

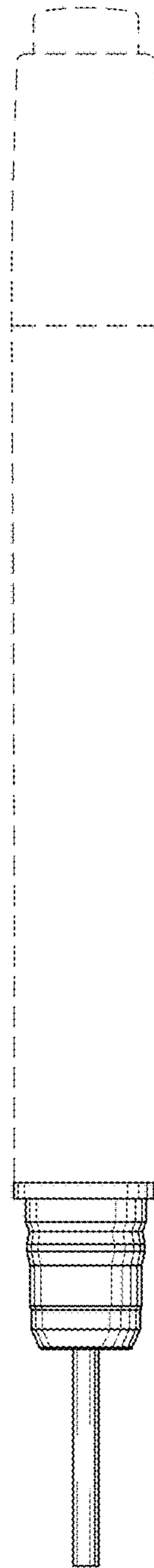


Fig. 3

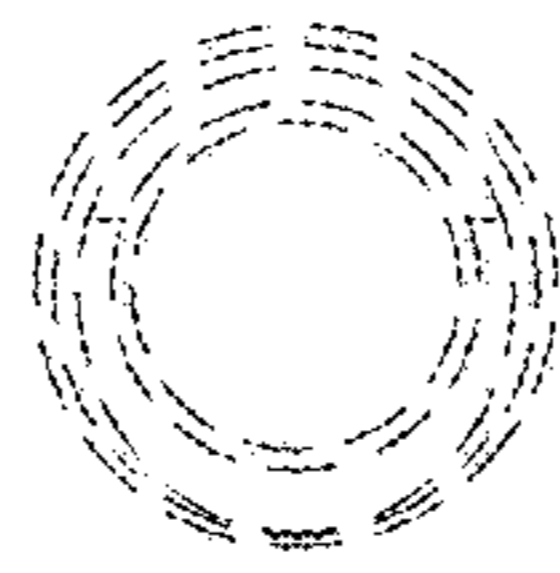


Fig. 4

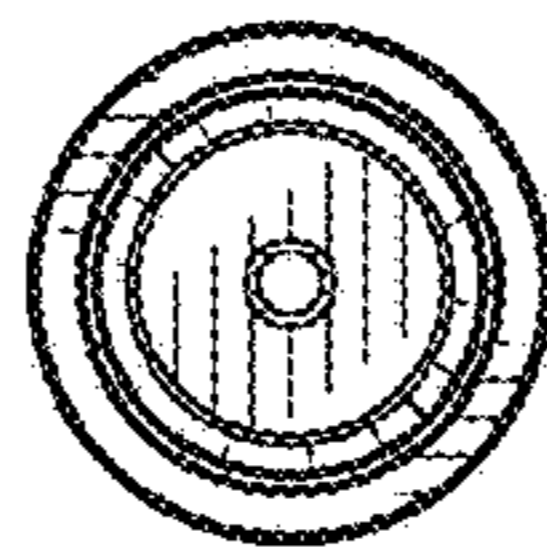


Fig. 5

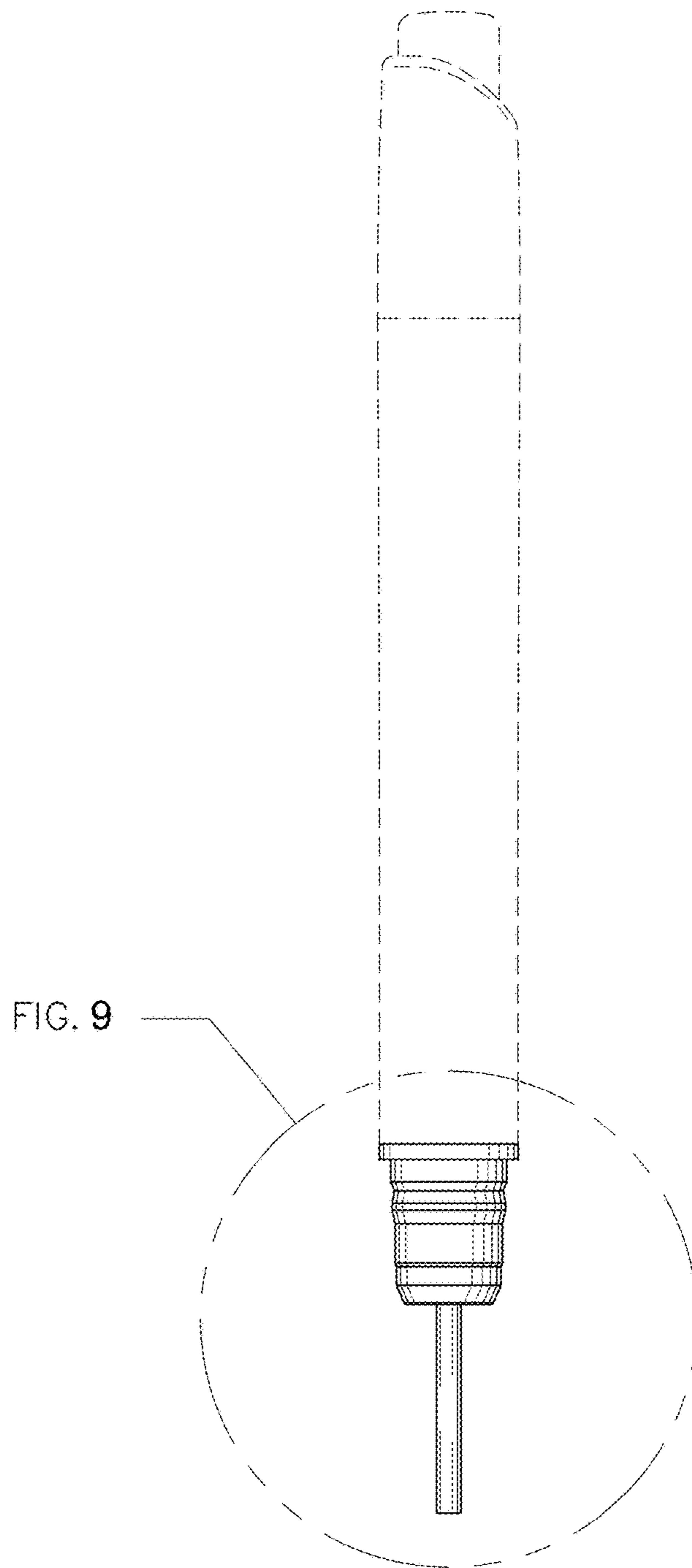


Fig. 6

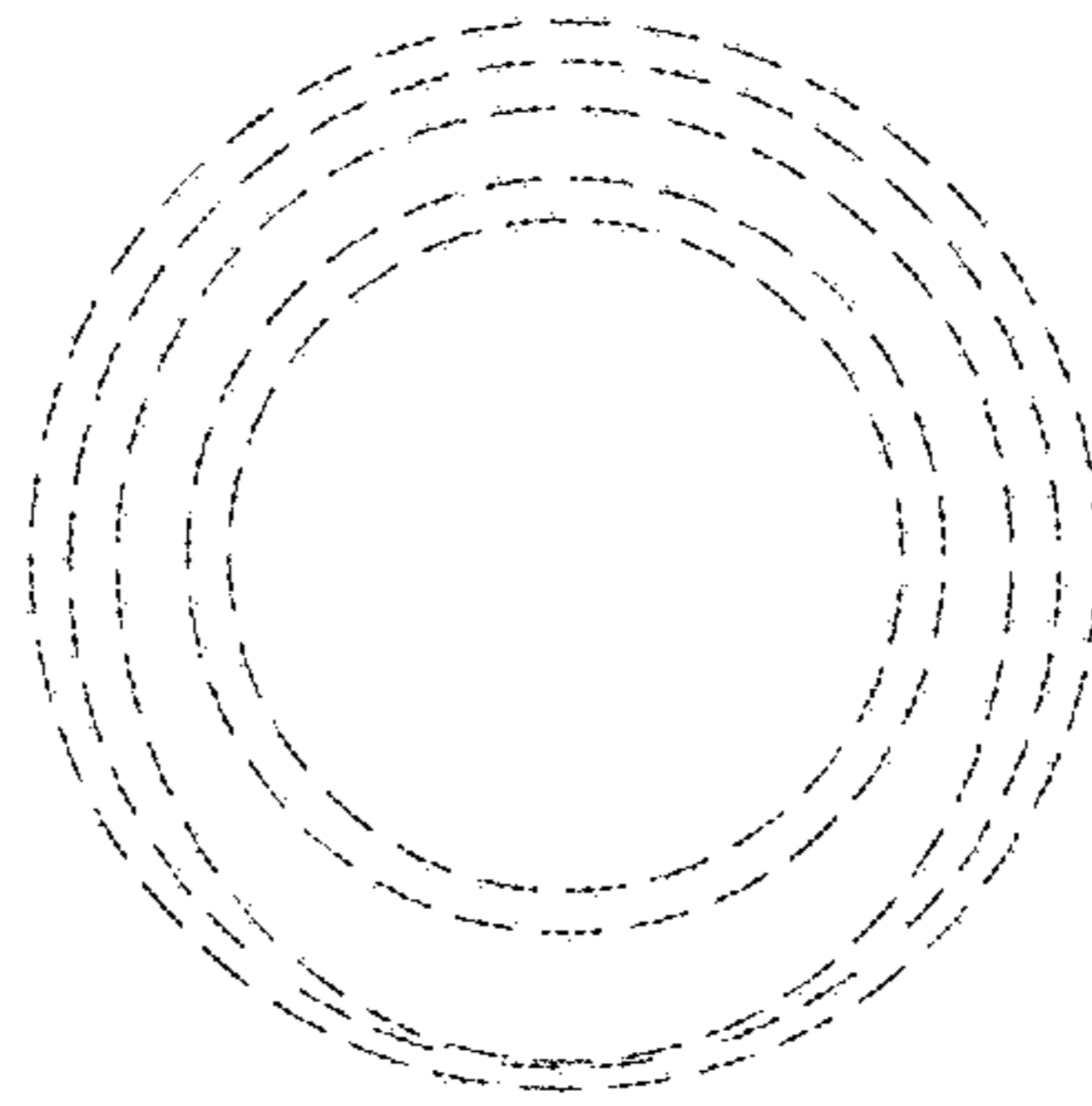


Fig. 7

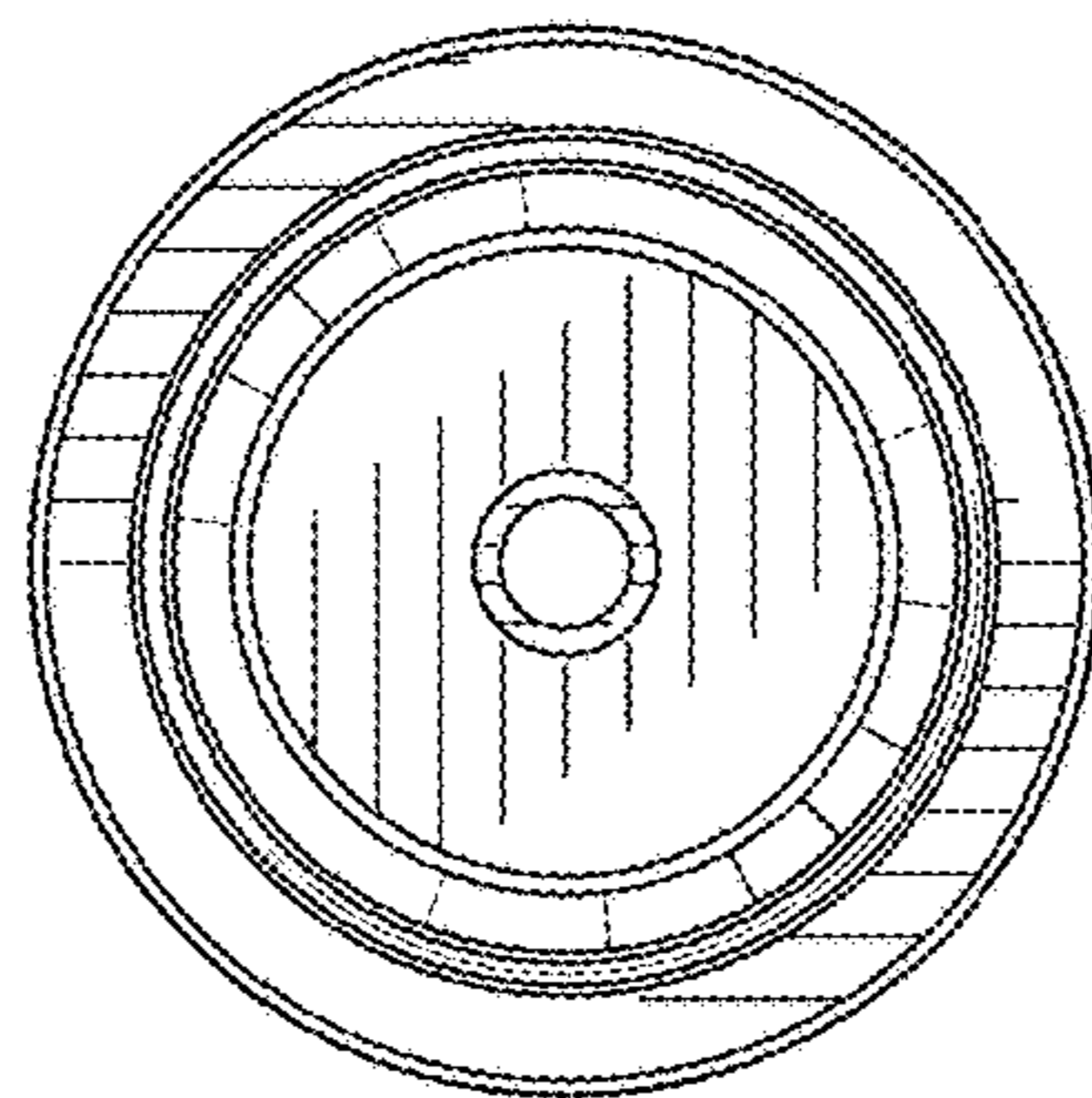


Fig. 8

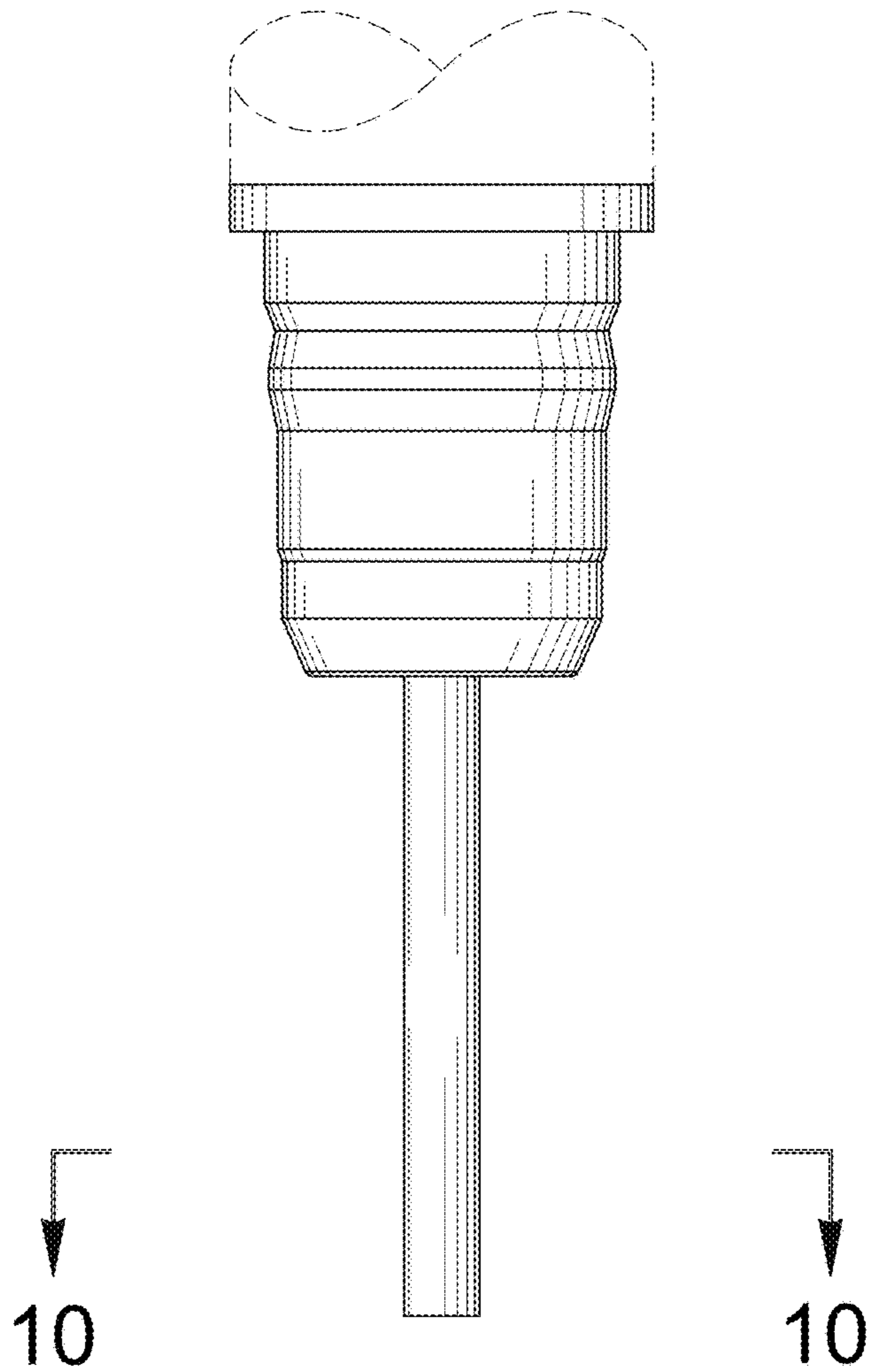


Fig. 9

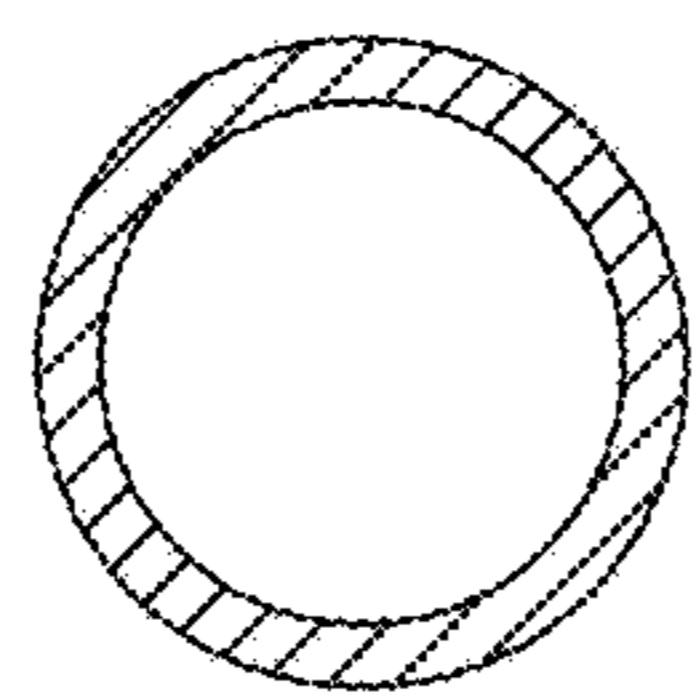


Fig. 10