



US00D838897S

(12) **United States Design Patent**
Harrod

(10) **Patent No.:** **US D838,897 S**

(45) **Date of Patent:** **** Jan. 22, 2019**

- (54) **BULB PROTECTOR**
- (71) Applicant: **Christina Harrod**, Marmora (CA)
- (72) Inventor: **Christina Harrod**, Marmora (CA)
- (**) Term: **15 Years**
- (21) Appl. No.: **29/610,273**
- (22) Filed: **Jul. 11, 2017**
- (51) **LOC (11) Cl.** **26-05**
- (52) **U.S. Cl.**
USPC **D26/140**
- (58) **Field of Classification Search**
USPC D7/213, 402-409; D8/370, 349;
D13/102, 101, 184, 199; D26/155, 152,
D26/154, 60, 74, 75, 76, 77, 78, 113,
D26/118, 119, 120, 121, 122, 128
CPC F21Y 2101/00; F21S 2/00; F21S 11/00;
F21K 2/00; H01L 31/00; F21V 3/0436
See application file for complete search history.

- 4,412,697 A * 11/1983 Verde A63B 47/02
294/19.2
- D555,461 S * 11/2007 Tincher D8/370
- 7,377,565 B1 * 5/2008 Beavin A63B 47/02
294/19.2
- 8,297,669 B2 * 10/2012 Matthews A63B 47/02
294/19.2
- 8,534,726 B2 * 9/2013 Bulatao A63B 47/002
294/19.2
- 9,839,816 B2 * 12/2017 Qiu A63B 47/02
- 2004/0227365 A1 * 11/2004 Hellerson A63B 47/02
294/19.2

* cited by examiner

Primary Examiner — Mark A Goodwin
Assistant Examiner — Benjamin M Weeks
(74) *Attorney, Agent, or Firm* — Angela Lyon

(57) **CLAIM**

The ornamental design for a bulb protector, as shown and described.

DESCRIPTION

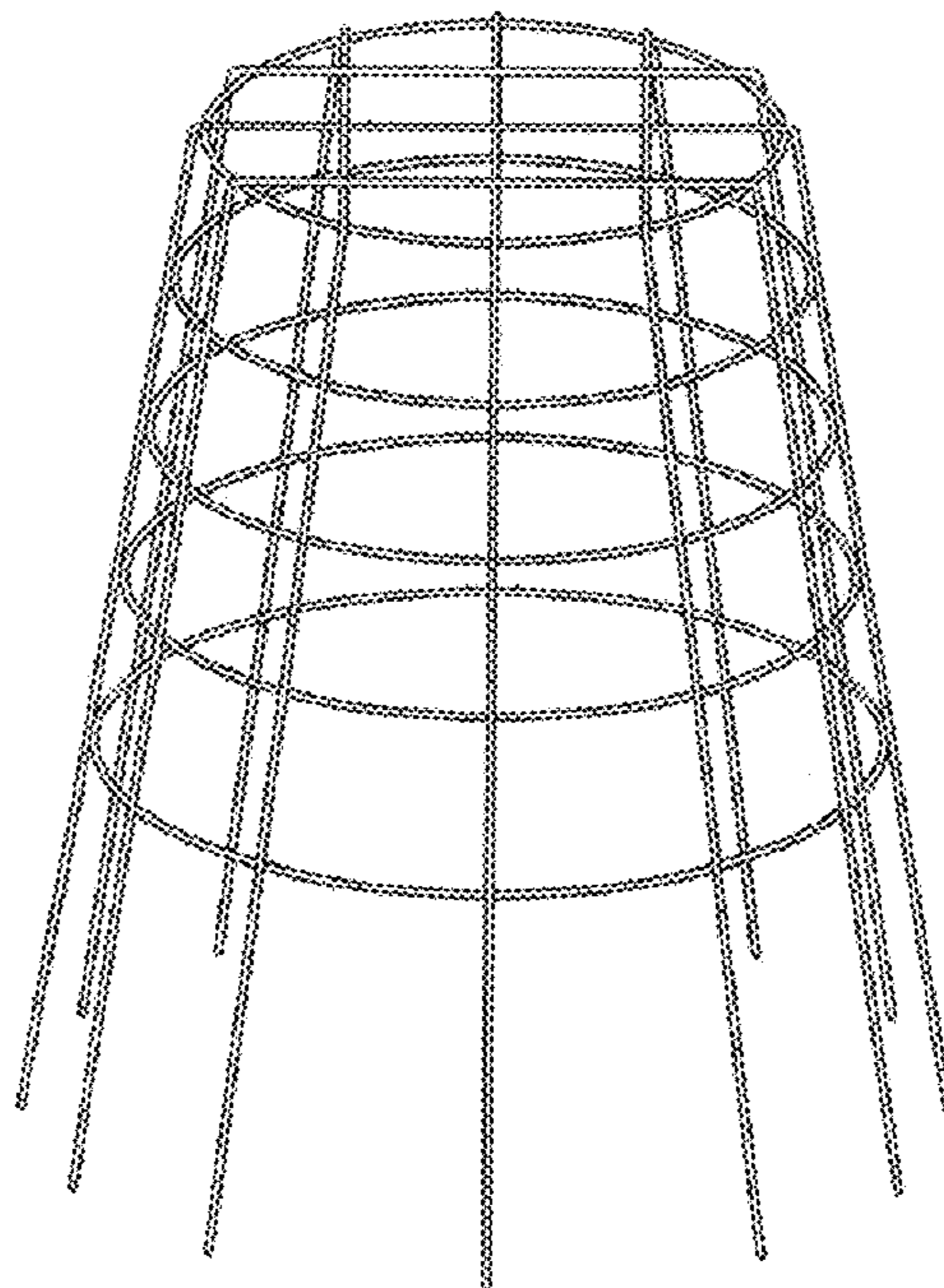
FIG. 1 is a perspective view of the bulb protector according to the design;
FIG. 2 is a side view of the bulb protector illustrated in FIG. 1;
FIG. 3 is a top view of the bulb protector illustrated in FIG. 1; and,
FIG. 4 is a bottom view of the bulb protector illustrated in FIG. 1.

1 Claim, 3 Drawing Sheets

(56) **References Cited**

U.S. PATENT DOCUMENTS

- D25,574 S * 6/1896 Wright D26/141
- D56,474 S * 10/1920 Rainaud D26/141
- 3,889,996 A * 6/1975 Campbell A63B 47/02
294/19.2
- 3,926,465 A * 12/1975 Hoagland A63B 47/02
294/19.2



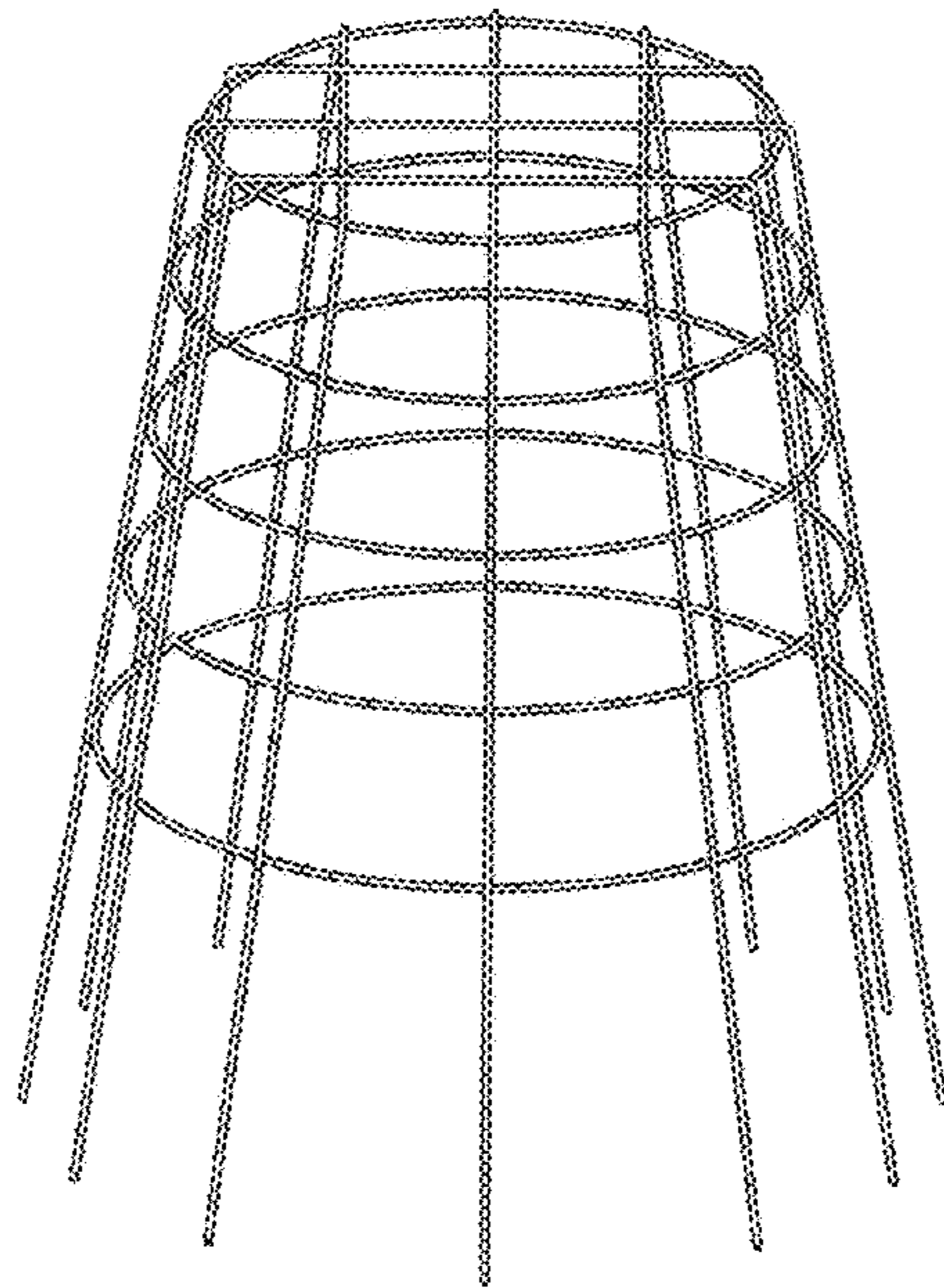


FIG. 1

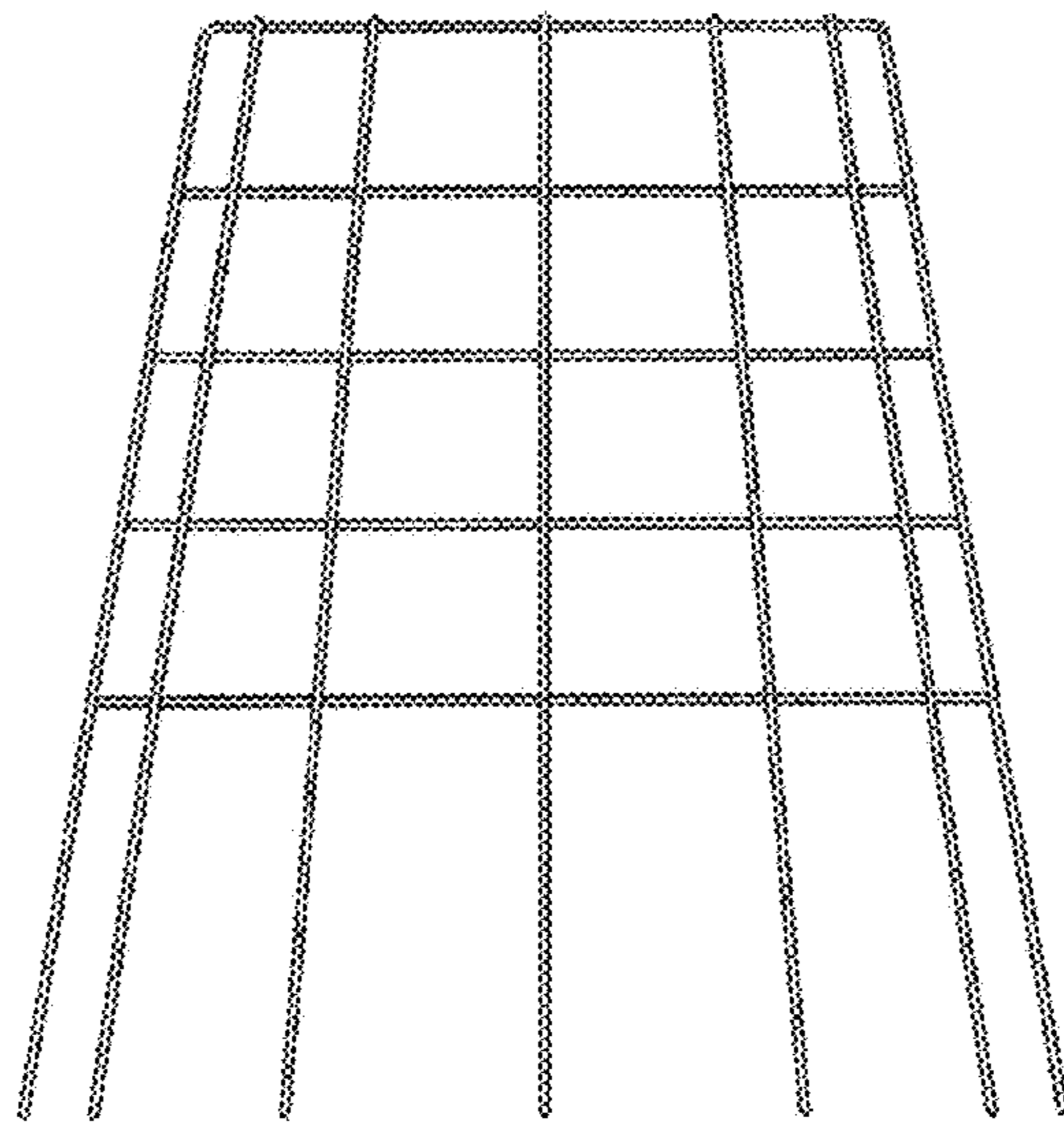


FIG. 2

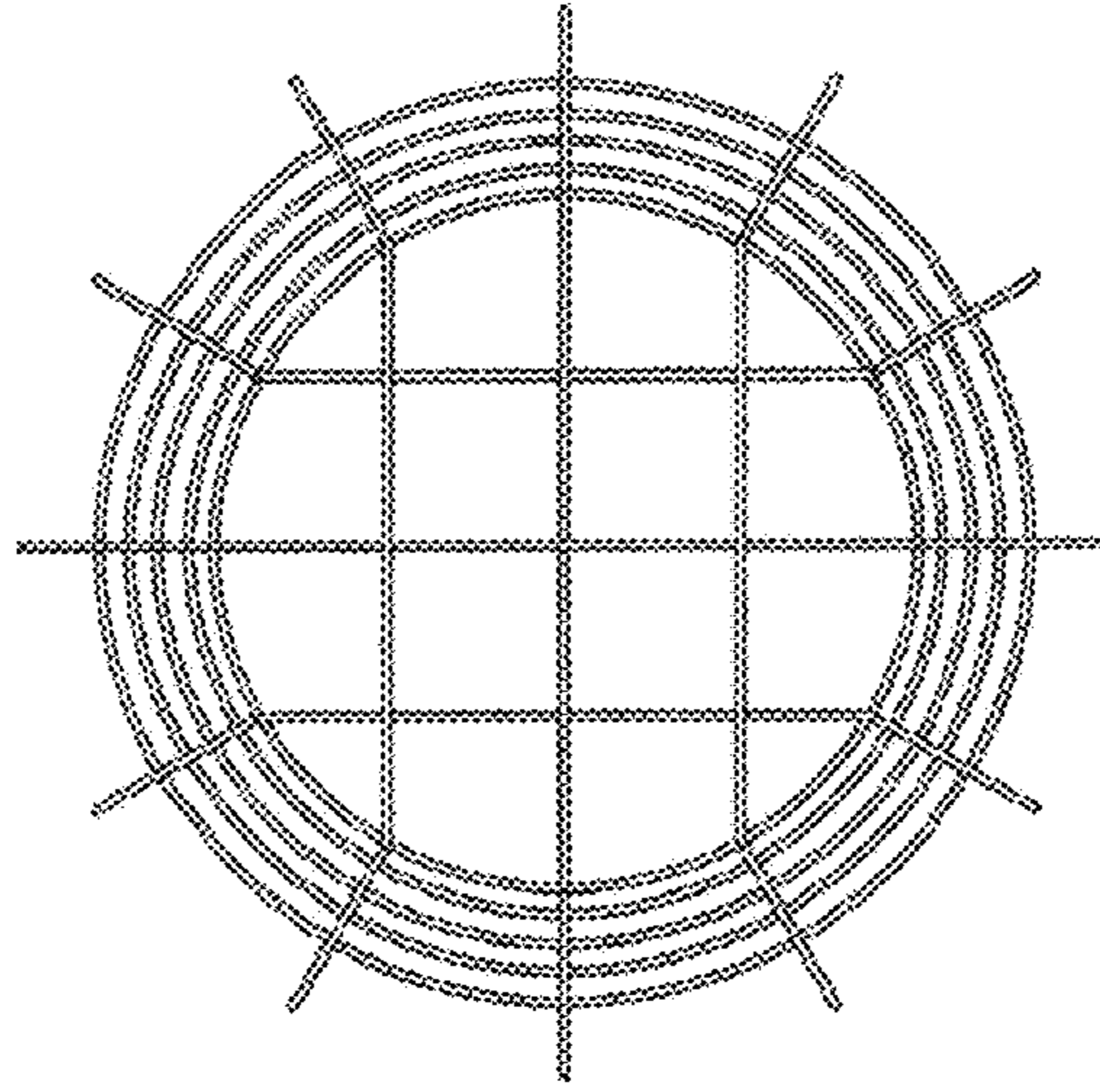


FIG. 3

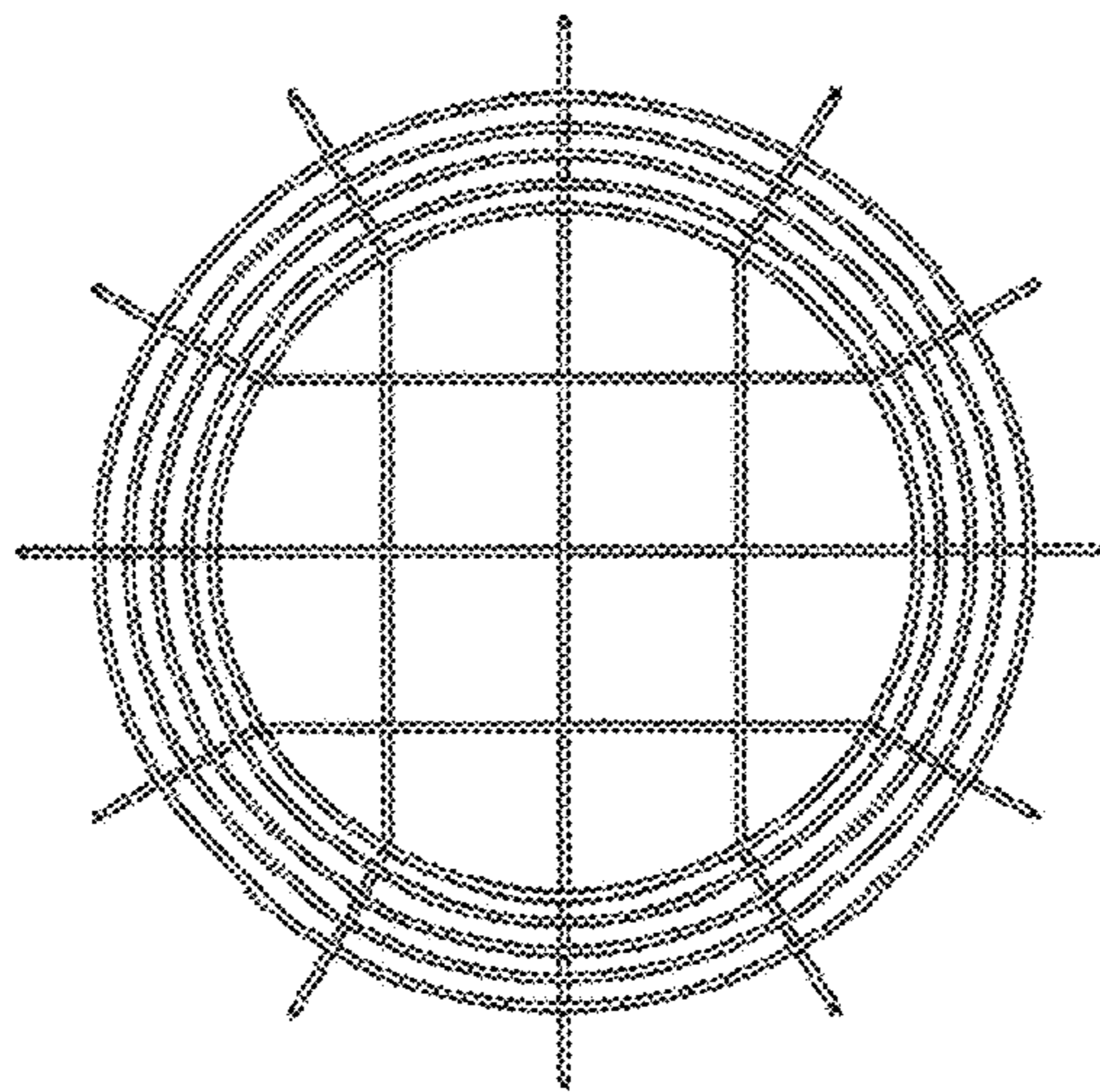


FIG. 4