



US00D838895S

(12) **United States Design Patent**
Huang

(10) **Patent No.:** **US D838,895 S**

(45) **Date of Patent:** **** Jan. 22, 2019**

(54) **TABLE LAMP**

(71) Applicant: **Joining Free Technology Co., Ltd.**,
Songgang, Baoan Dist., Shenzhen (CN)

(72) Inventor: **Wenxuan Huang**, Songgang (CN)

(73) Assignee: **JOINING FREE TECHNOLOGY CO., LTD.**, Shenzhen (CN)

(**) Term: **15 Years**

(21) Appl. No.: **29/598,090**

(22) Filed: **Mar. 23, 2017**

(51) **LOC (11) Cl.** **26-03**

(52) **U.S. Cl.**
USPC **D26/93**

(58) **Field of Classification Search**
USPC D26/24, 93, 107, 108, 111
CPC F21S 6/00; F21S 6/002; F21S 6/004; F21S
6/006; F21S 8/00; F21S 10/00; F21V
21/02; F21W 2131/30; F21Y 2105/00
See application file for complete search history.

(56) **References Cited**

U.S. PATENT DOCUMENTS

D483,900 S * 12/2003 Lam D26/108
D608,046 S * 1/2010 Chien D26/107

D664,888 S * 8/2012 Villiers D26/111
D685,126 S * 6/2013 Ogg D26/93
D736,445 S * 8/2015 Jahnke D26/93
D763,497 S * 8/2016 Yang D26/107
D804,704 S * 12/2017 Xia D26/107

* cited by examiner

Primary Examiner — Brian N. Vinson

(57) **CLAIM**

The ornamental design for a table lamp, as shown and described.

DESCRIPTION

FIG. 1 is a perspective view of a table lamp showing my new design;

FIG. 2 is a front elevational view thereof;

FIG. 3 is a rear elevational view thereof;

FIG. 4 is a left side elevational view thereof;

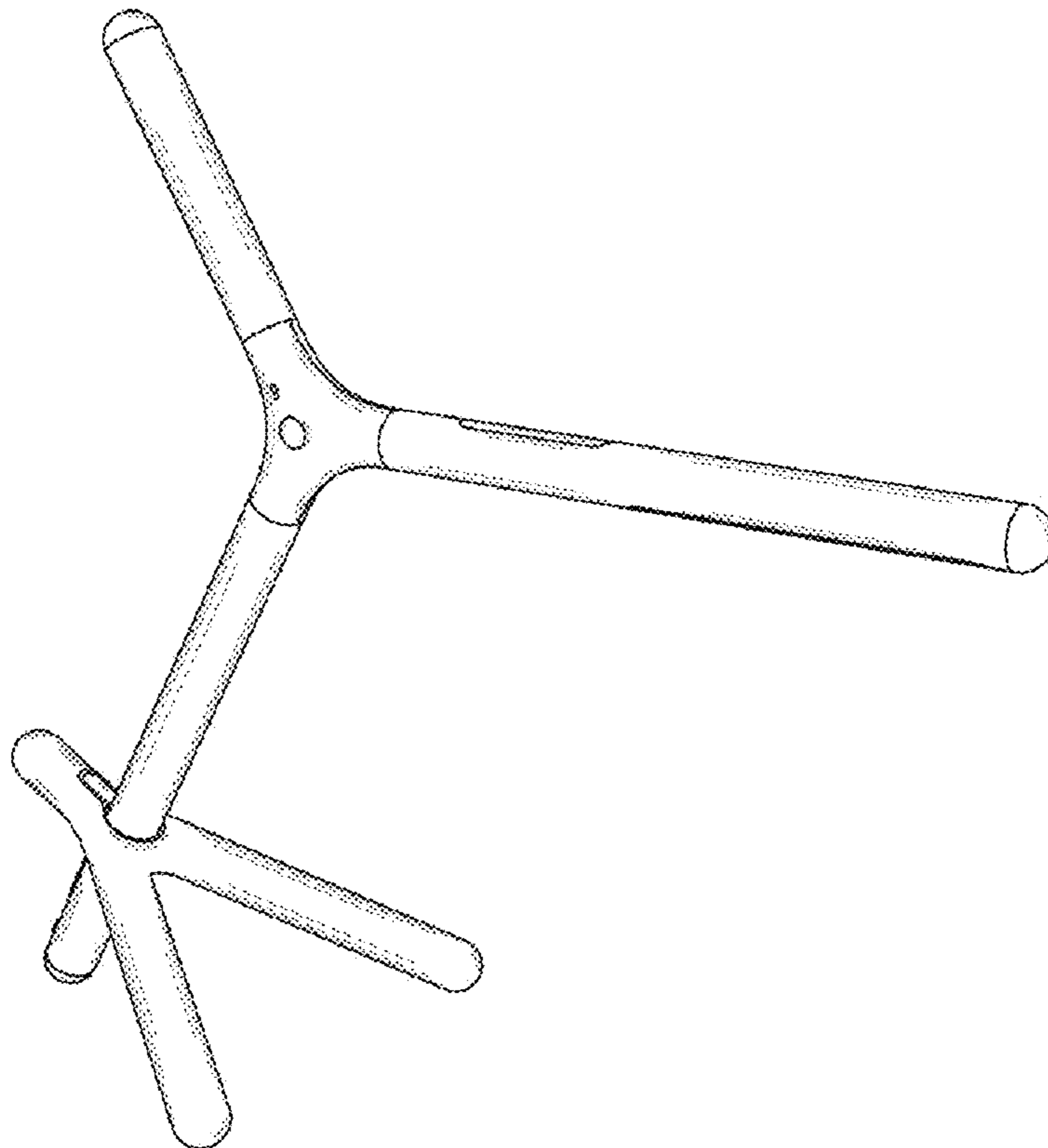
FIG. 5 is a left side elevational view thereof;

FIG. 6 is a top plan view thereof; and,

FIG. 7 is a bottom plan view thereof.

The broken line disclosure represents portions of the table lamp which form no part of the claimed design.

1 Claim, 7 Drawing Sheets



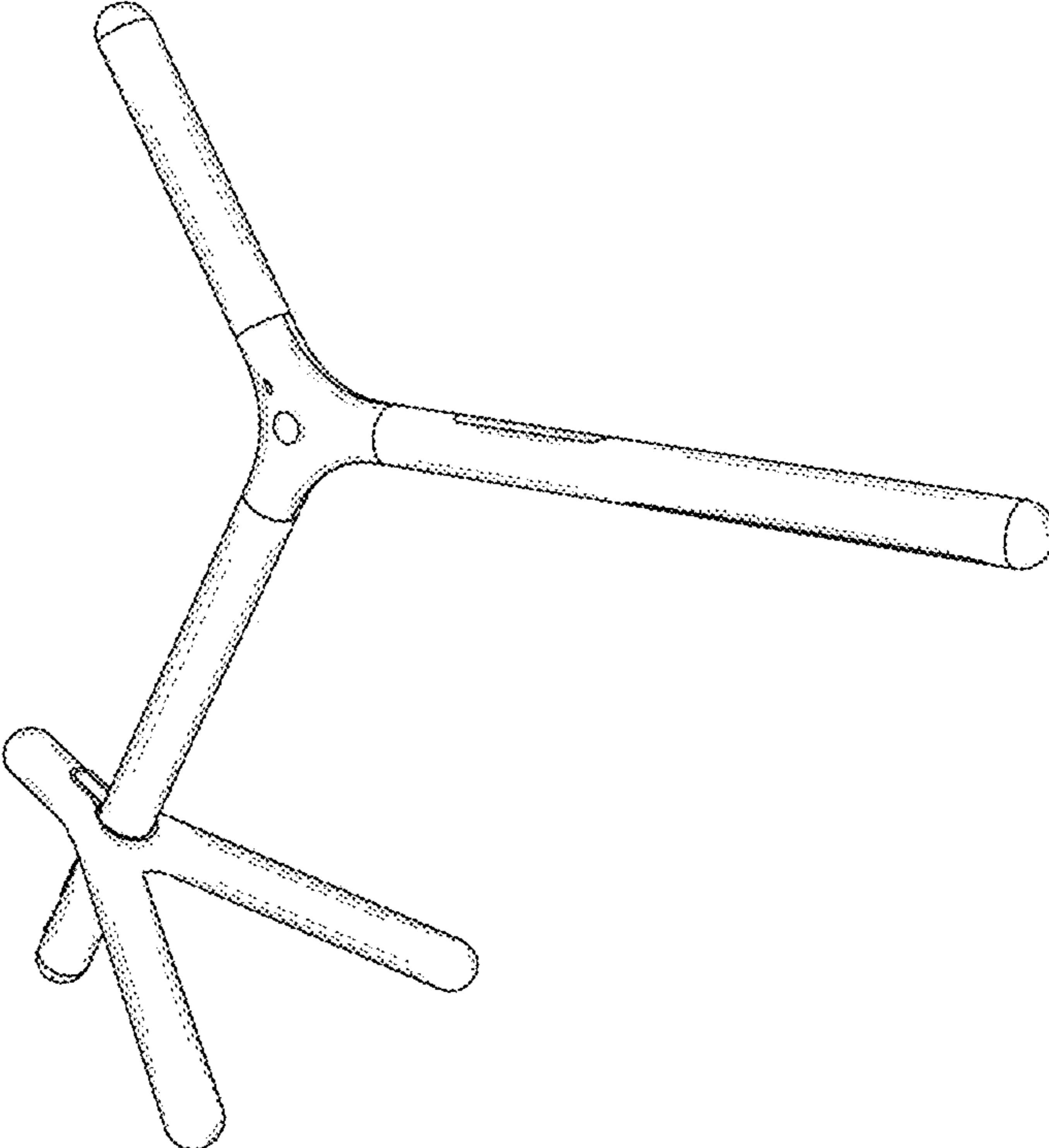


Fig. 1

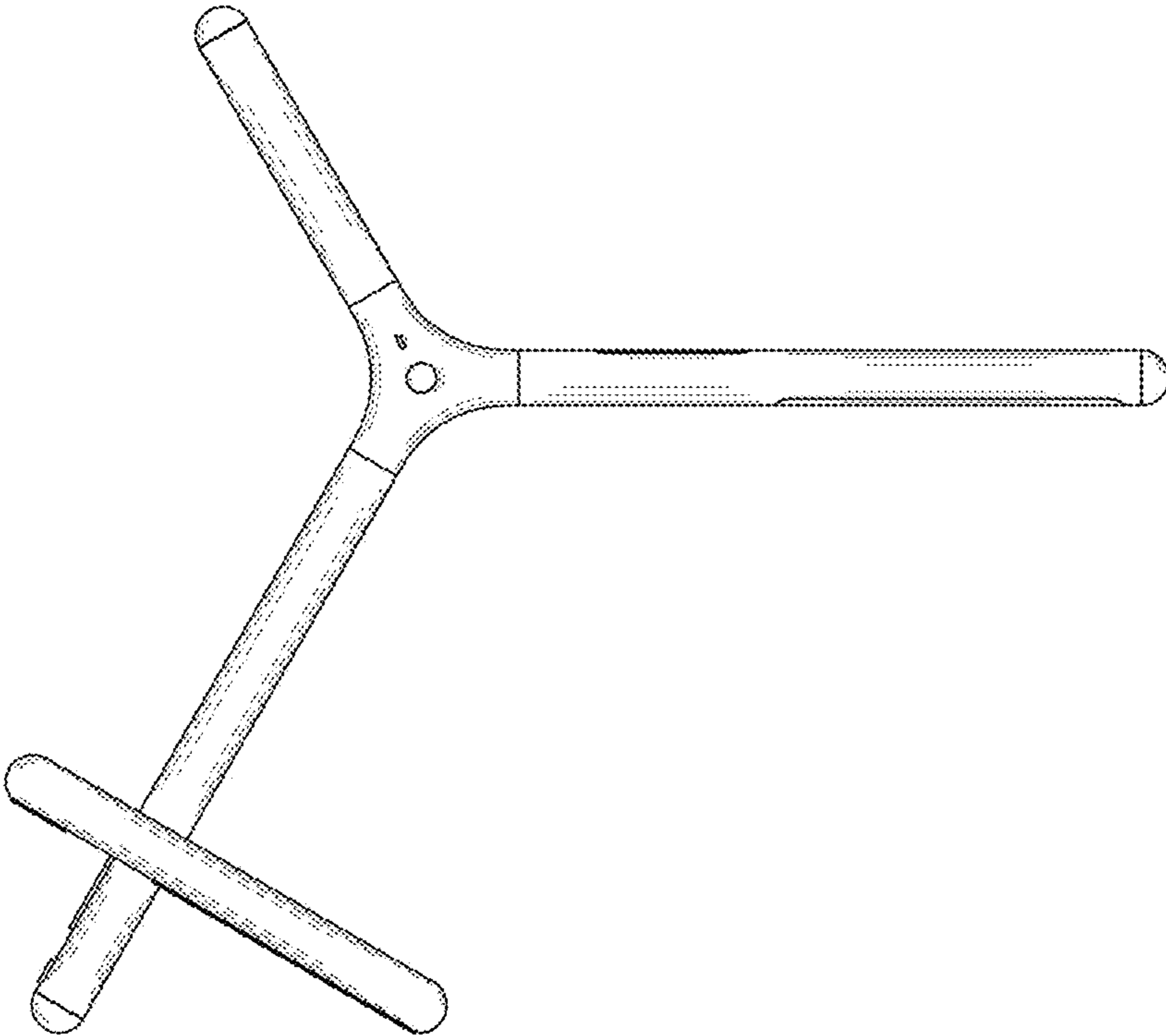


Fig. 2

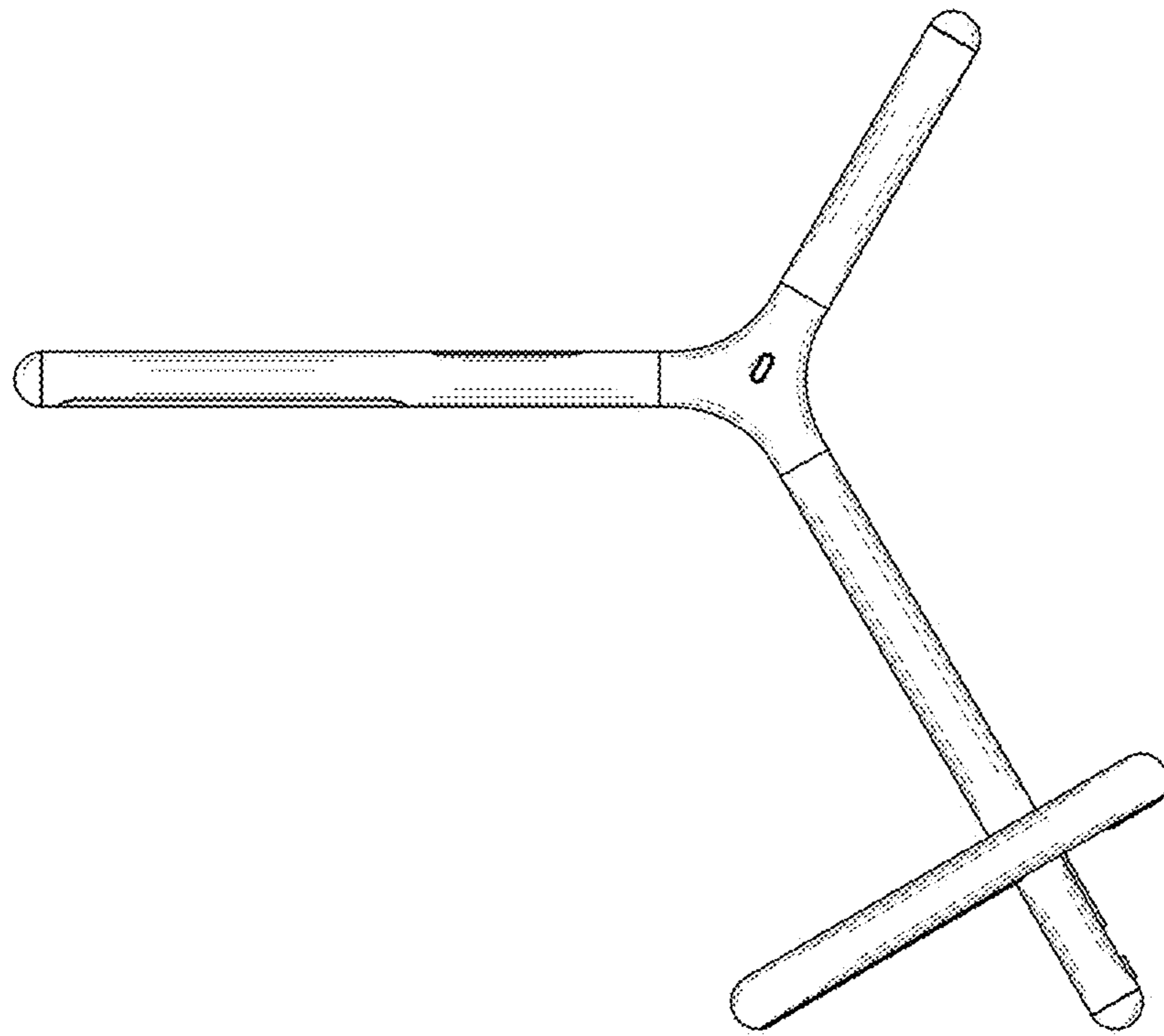


Fig. 3

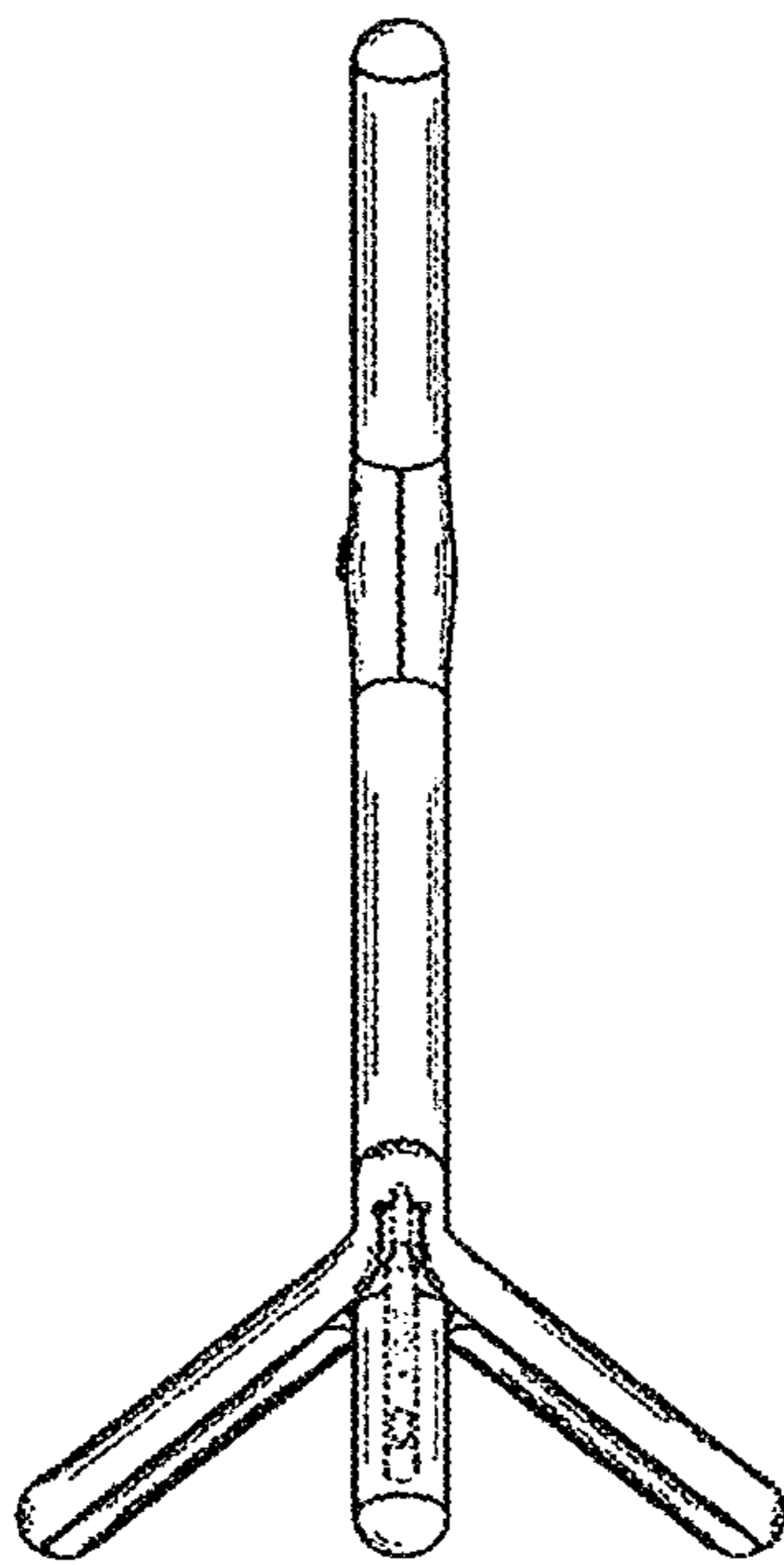


Fig.4

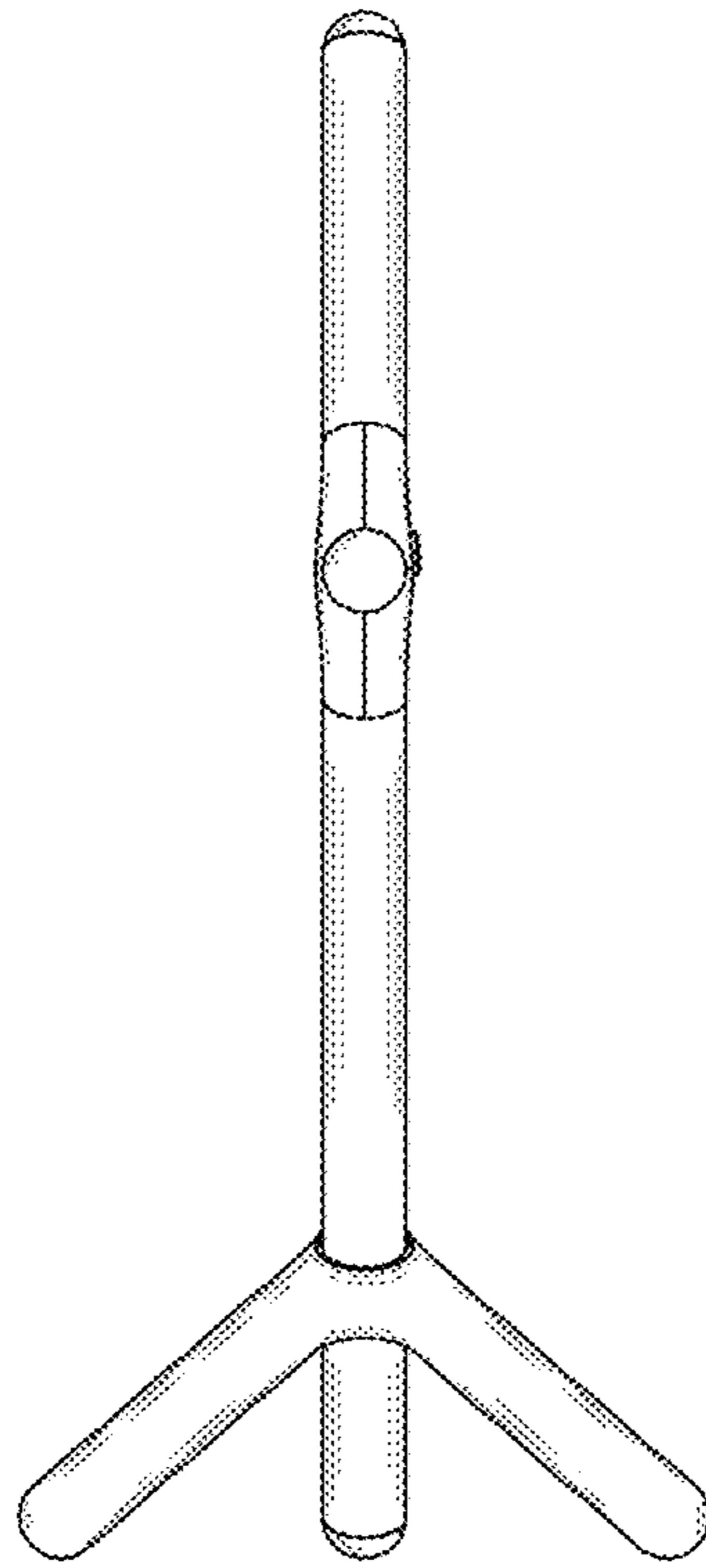


Fig. 5

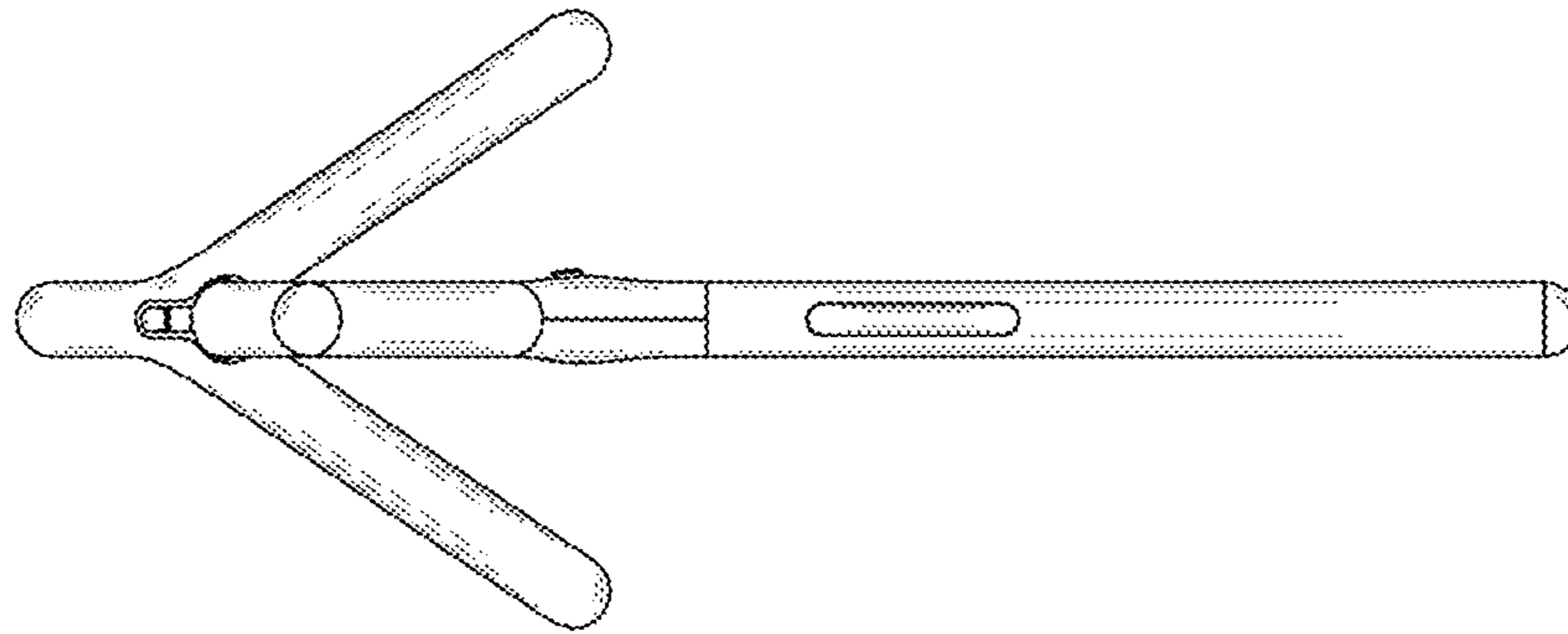


Fig. 6

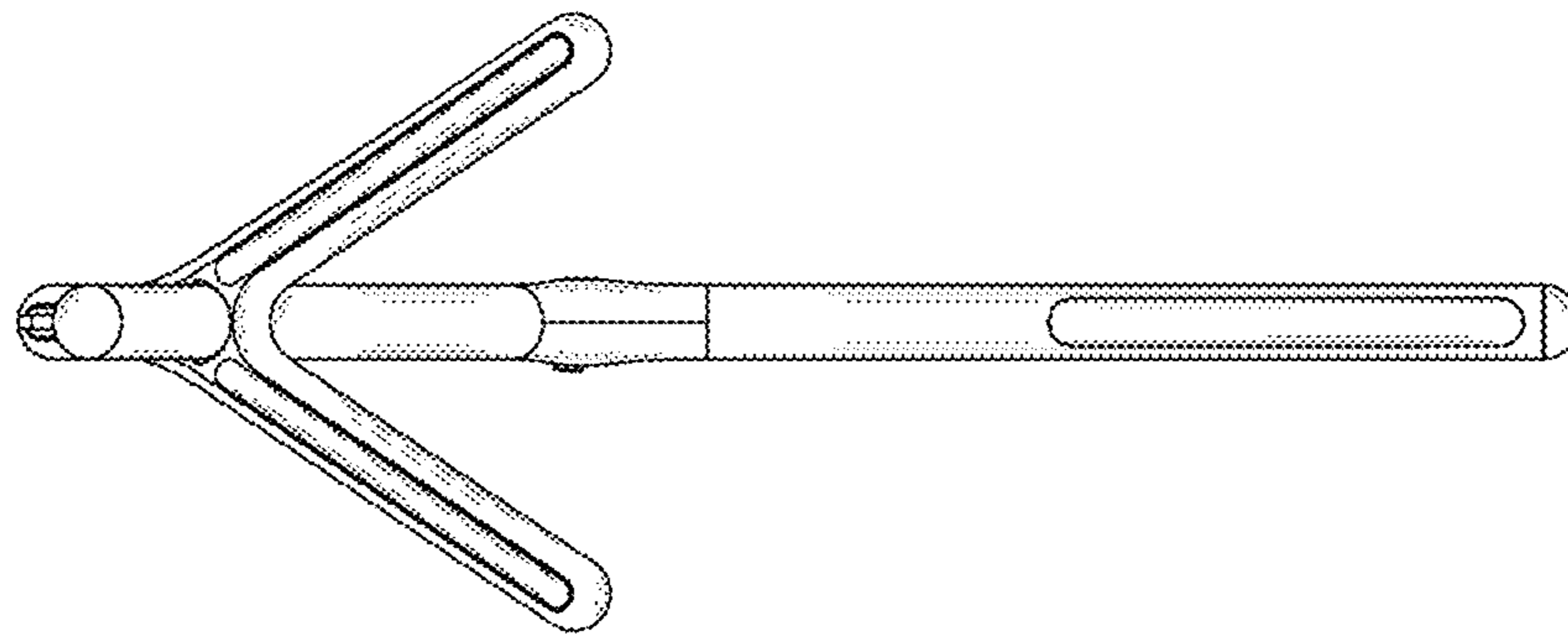


Fig. 7