



US00D838892S

(12) **United States Design Patent**  
**Redfern**

(10) **Patent No.:** **US D838,892 S**

(45) **Date of Patent:** **\*\* Jan. 22, 2019**

(54) **LUMINAIRE**

(71) Applicant: **ZUMTOBEL LIGHTING GMBH,**  
Lemgo (DE)

(72) Inventor: **Christopher Redfern,**  
Henley-on-Thames (GB)

(73) Assignee: **ZUMTOBEL LIGHTING GMBH,**  
Lemgo (AT)

(\*\*) Term: **15 Years**

(21) Appl. No.: **29/547,668**

(22) Filed: **Dec. 7, 2015**

(30) **Foreign Application Priority Data**

Jun. 5, 2015 (EM) ..... 002 713 701

(51) **LOC (11) Cl.** ..... **26-05**

(52) **U.S. Cl.**  
USPC ..... **D26/74**

(58) **Field of Classification Search**  
USPC ..... D26/72, 74, 118  
CPC ..... F21S 8/026; F21S 8/02  
See application file for complete search history.

(56) **References Cited**

**U.S. PATENT DOCUMENTS**

D569,024 S	*	5/2008	Redfern	.....	D26/74
D696,447 S	*	12/2013	Huh	.....	D26/74
D698,970 S	*	2/2014	Guzzini	.....	D26/74
D698,974 S	*	2/2014	Aniserowicz	.....	D26/74
D740,996 S	*	10/2015	Tragatschnig	.....	D26/118
D777,968 S	*	1/2017	Redfern	.....	D26/74
D779,101 S	*	2/2017	Redfern	.....	D26/74
D785,227 S	*	4/2017	Guzzini	.....	D26/74
D789,586 S	*	6/2017	Guzzini	.....	D26/74

2015/0252988	A1*	9/2015	Rashidi Doust	.....	F21V 21/049 362/285
2015/0276185	A1*	10/2015	Bailey	.....	F21V 13/04 362/294
2016/0018098	A1*	1/2016	Kim	.....	F21V 29/2212 362/373

**OTHER PUBLICATIONS**

“Tesla Pro.” Found online Apr. 18, 2018 at [www.lightology.com](http://www.lightology.com). Image dated Dec. 16, 2015. Retrieved from URL: [https://tineye.com/search/701f87a5053a970787550b8e5b5db8a59ad08408/?extension\\_ver=chrome-1.2.0](https://tineye.com/search/701f87a5053a970787550b8e5b5db8a59ad08408/?extension_ver=chrome-1.2.0) (Year: 2015).\*

“Zumtobel.” Found online Apr. 19, 2018 at [www.amazon.de](http://www.amazon.de). Page dated Feb. 10, 2016. Retrieved from URL: <https://goo.gl/2A9wCZ> (Year: 2016).\*

“Ciata Lighting.” Found online Apr. 19, 2018 at [www.amazon.com](http://www.amazon.com). Page dated Mar. 18, 2018. Retrieved from URL: <https://goo.gl/HyEGMD> (Year: 2018).\*

\* cited by examiner

*Primary Examiner* — Garth Rademaker

*Assistant Examiner* — Katelin G Kloberg

(74) *Attorney, Agent, or Firm* — Scully, Scott, Murphy & Presser

(57) **CLAIM**

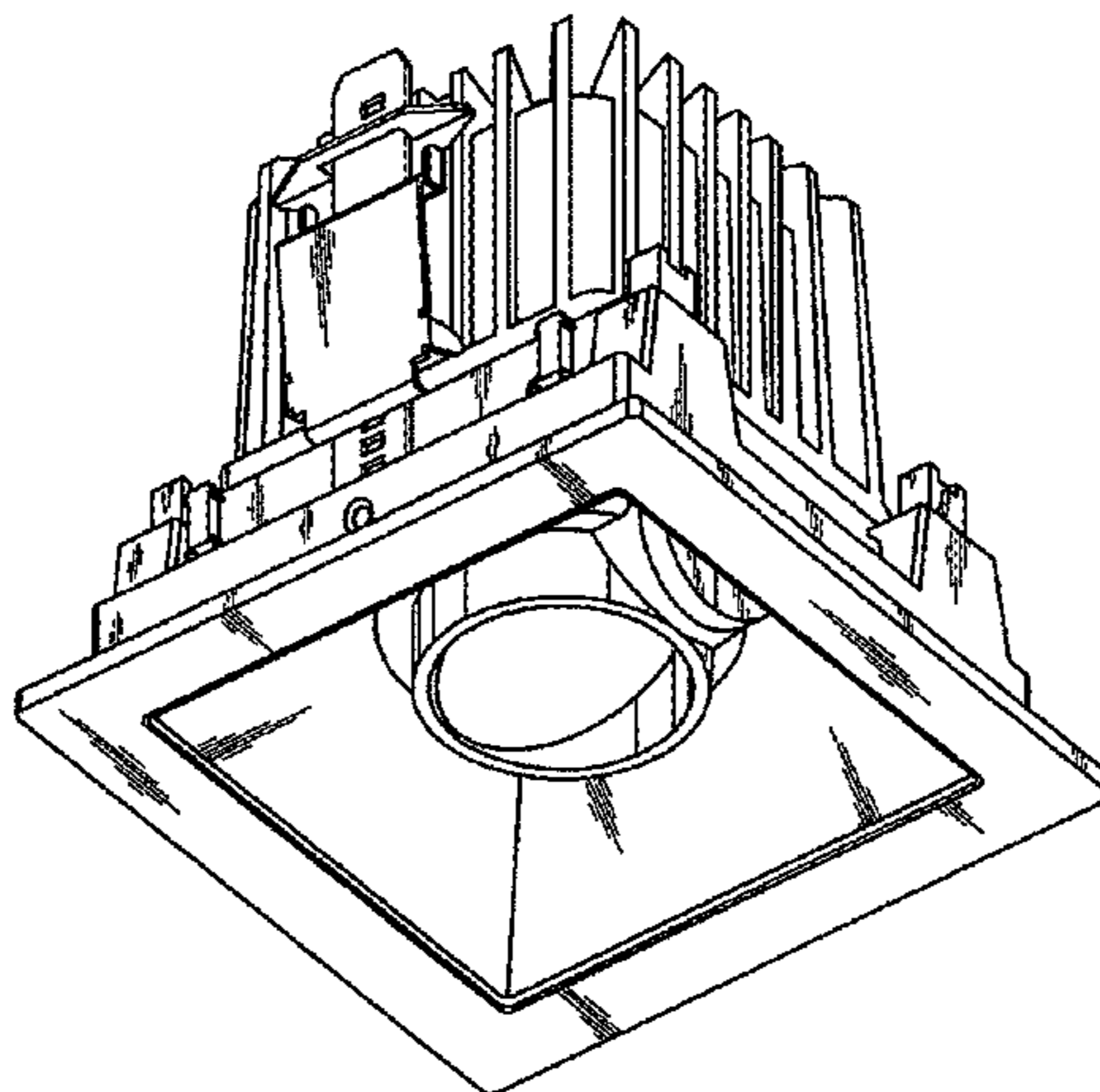
The ornamental design for a luminaire, as shown and described.

**DESCRIPTION**

FIG. 1 is a bottom, front, left side perspective view of a luminaire, showing my new design;  
FIG. 2 is a left side view thereof;  
FIG. 3 is a right side view thereof;  
FIG. 4 is a front view thereof;  
FIG. 5 is a rear view thereof;  
FIG. 6 is a bottom view thereof; and,  
FIG. 7 is a top view thereof.

The portions of the luminaire shown in the figures, in broken lines, attached hereto, form no part of the claimed design.

**1 Claim, 7 Drawing Sheets**



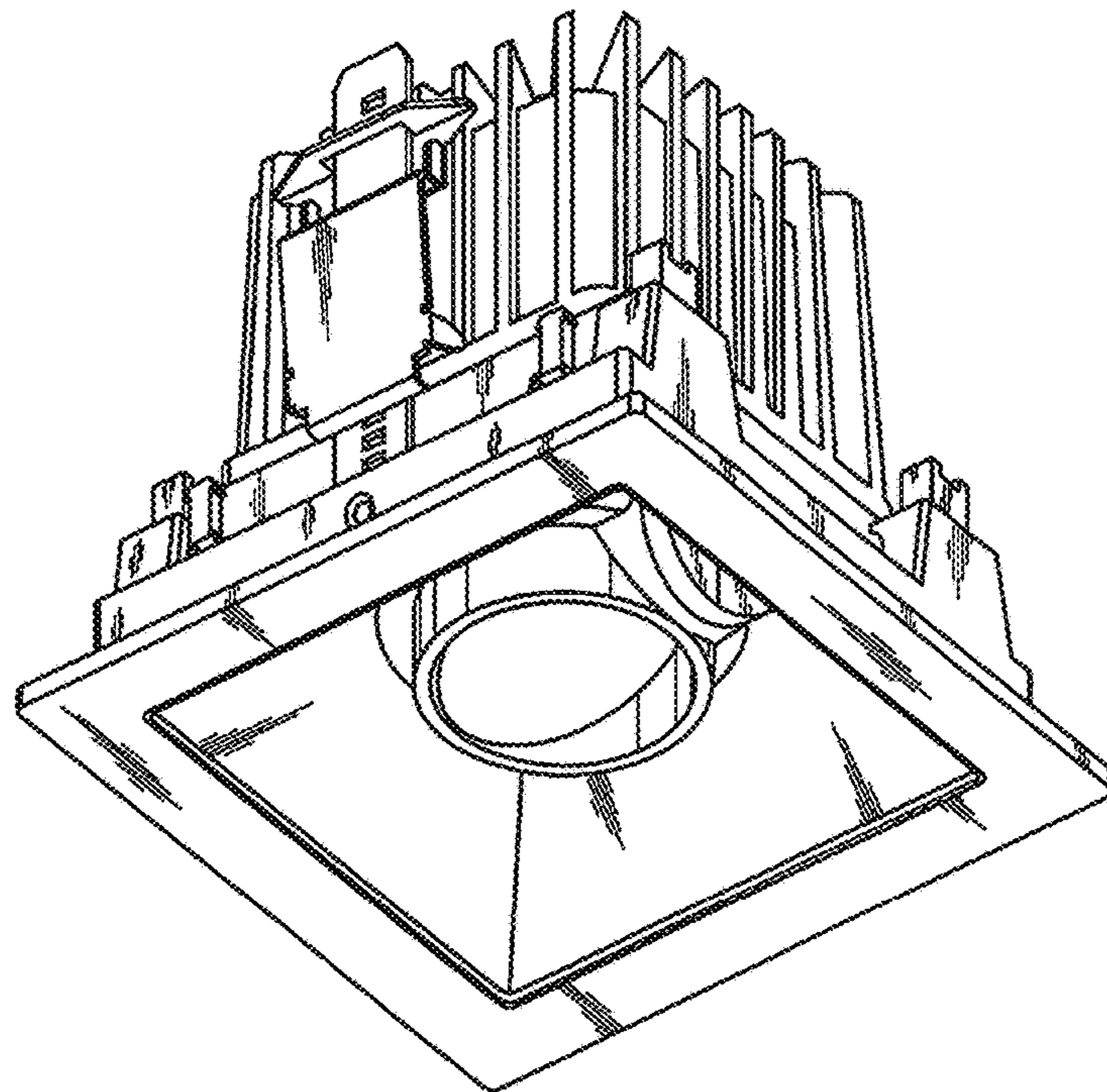


Fig. 1

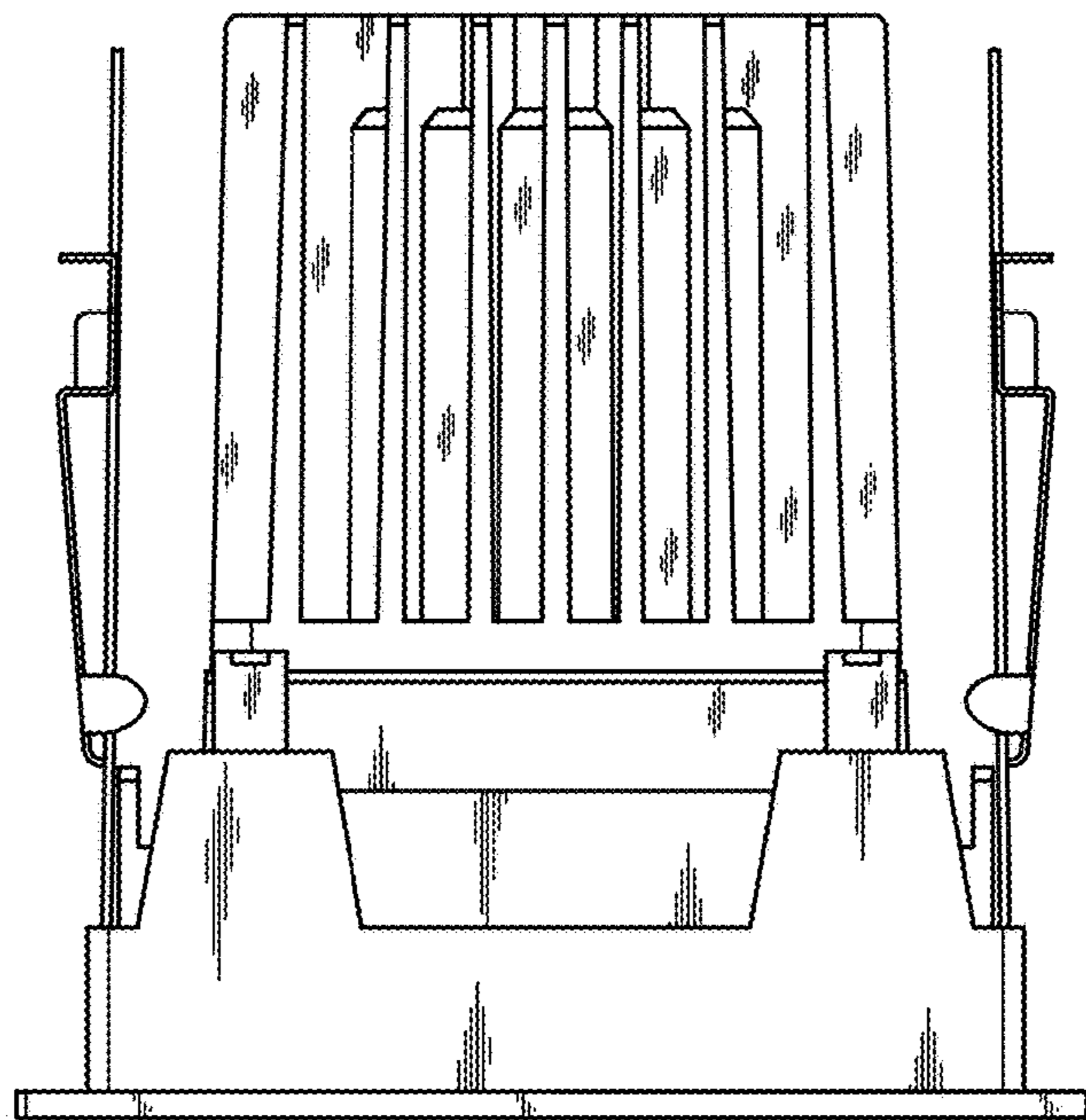


Fig. 2

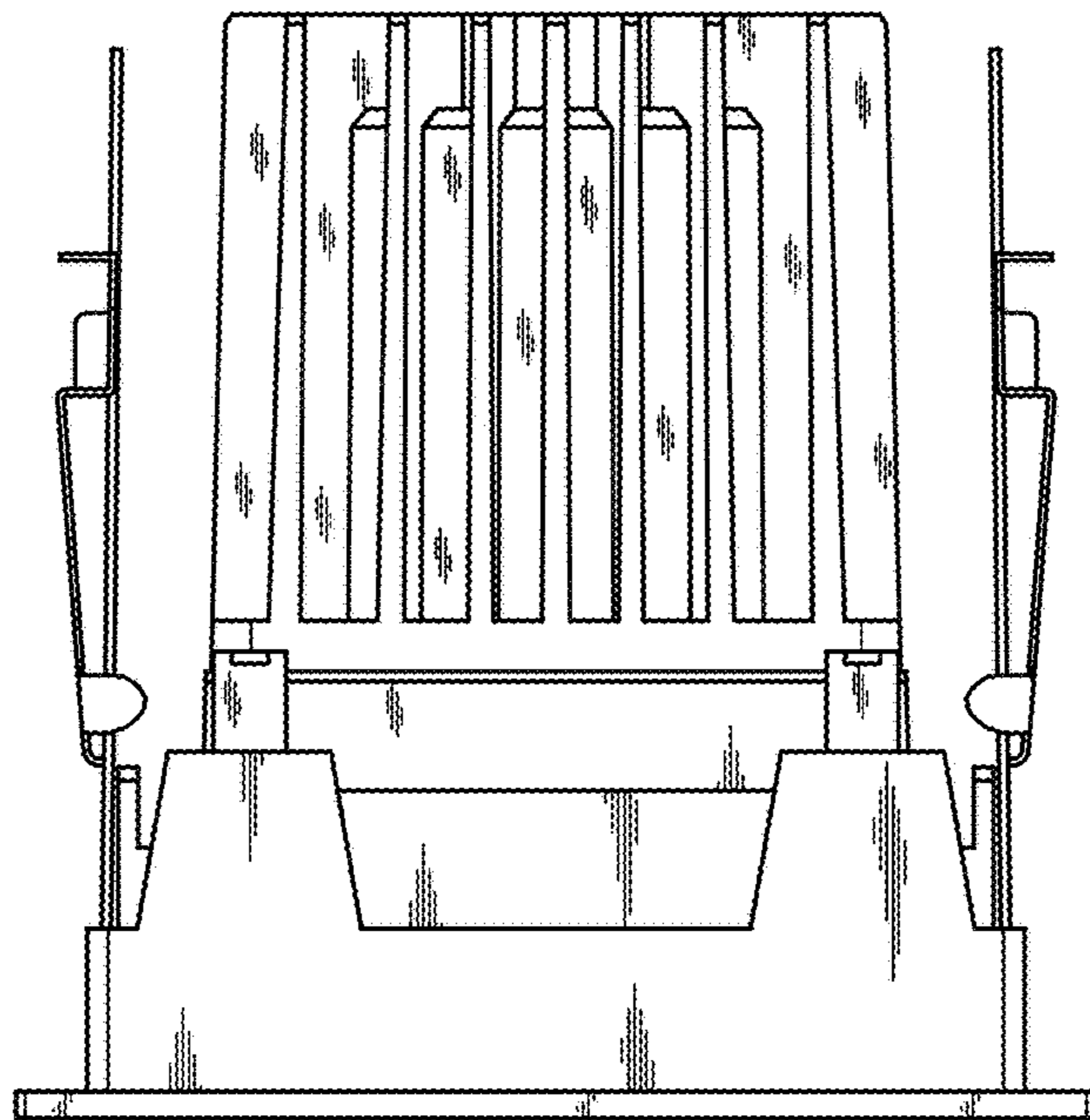


Fig. 3

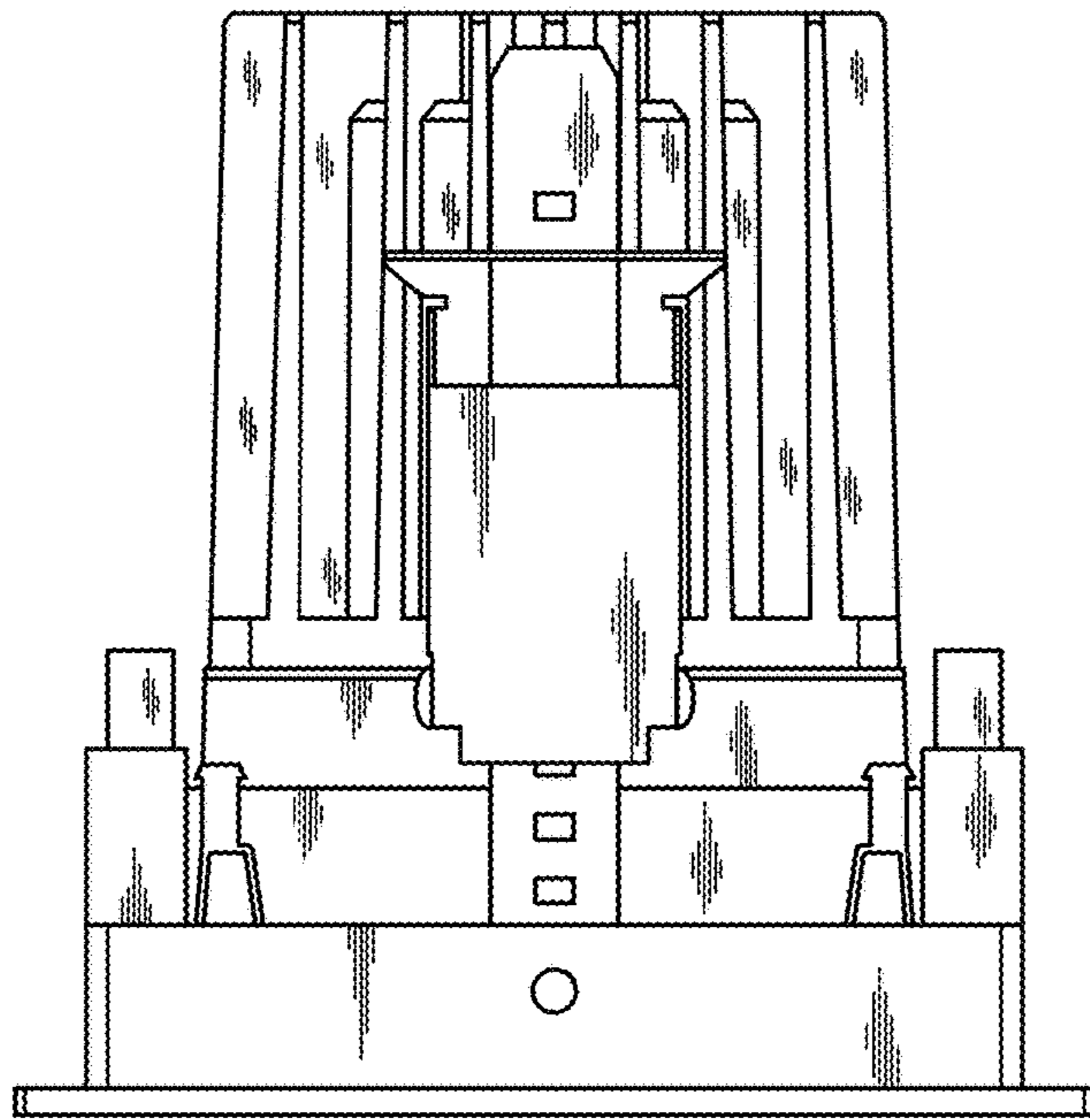


Fig. 4



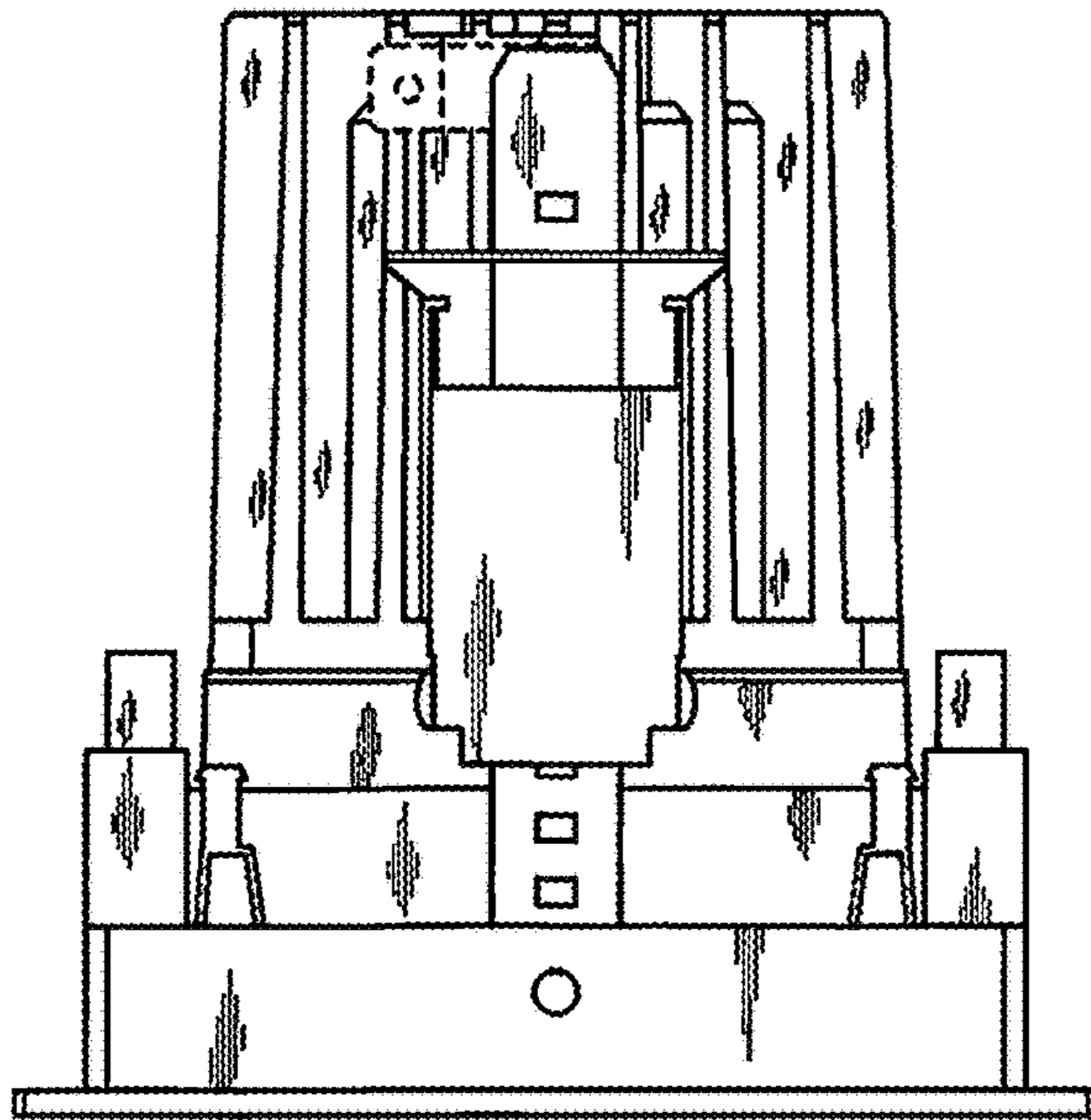


Fig. 5

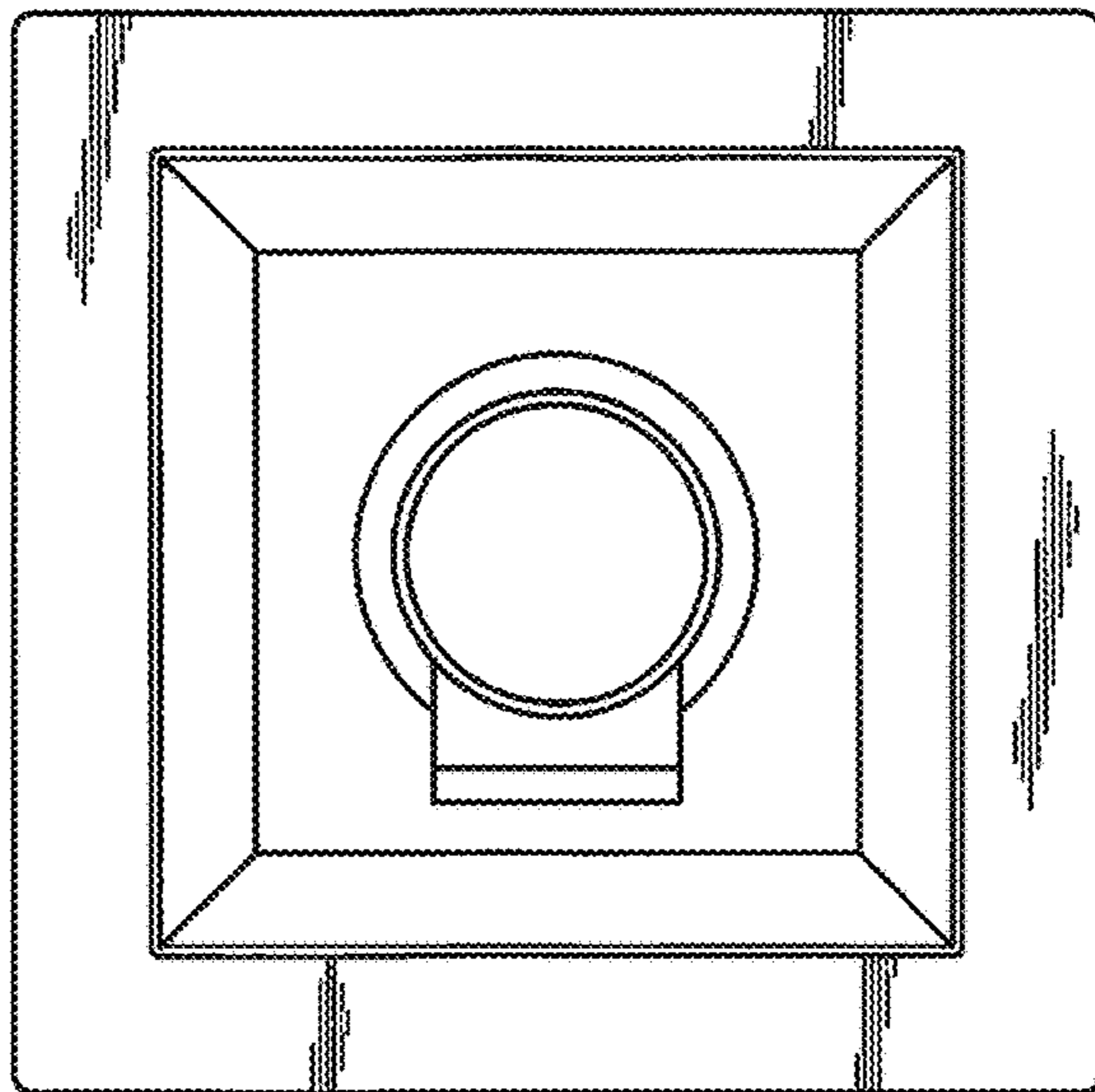


Fig. 6

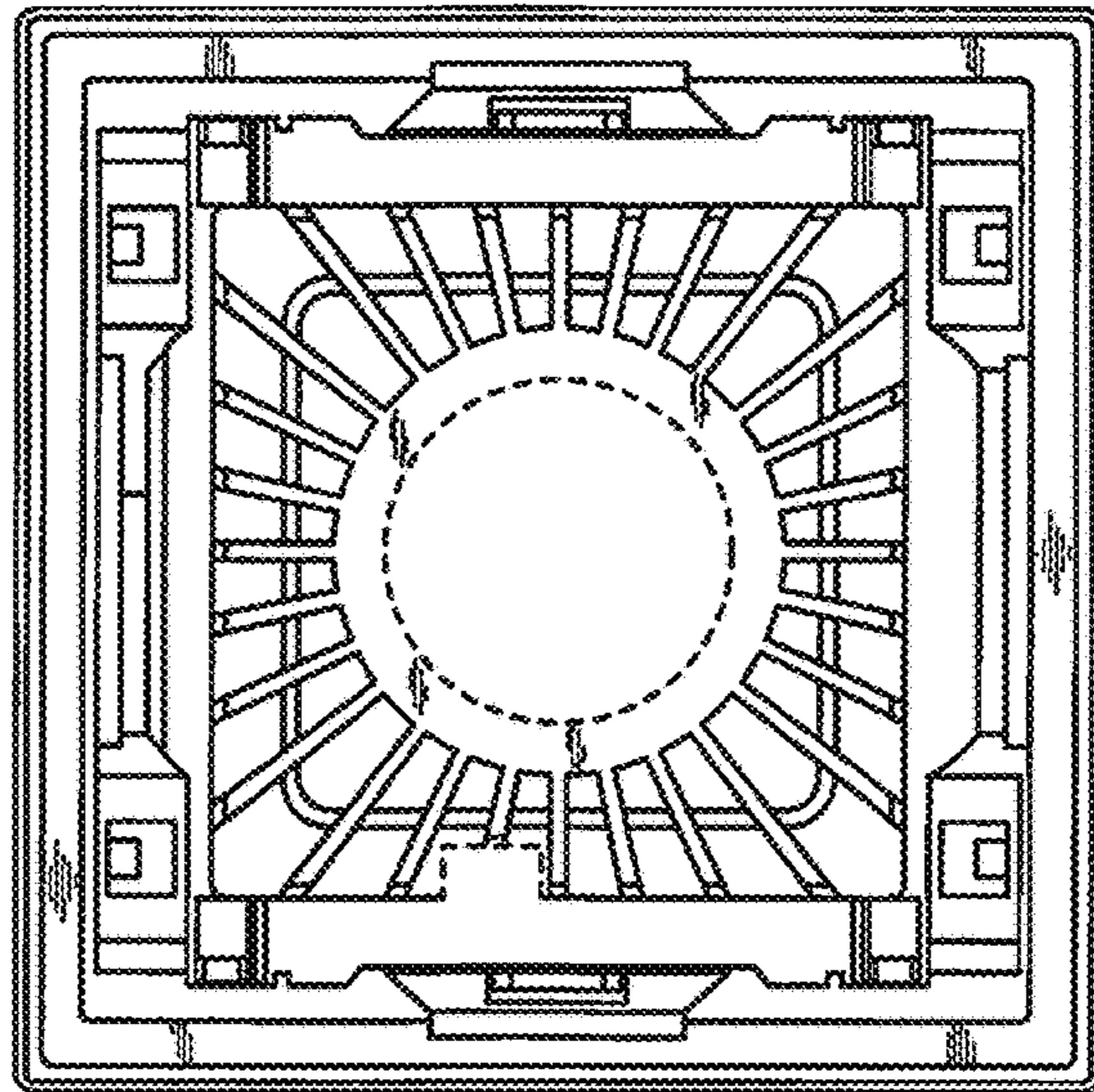


Fig. 7